



US00D774388S

(12) **United States Design Patent** (10) **Patent No.:** **US D774,388 S**
Xia (45) **Date of Patent:** **** Dec. 20, 2016**

(54) **PACKAGING**

(71) Applicant: **SHENZHEN ROYOLE TECHNOLOGIES CO., LTD.**,
Shenzhen (CN)

(72) Inventor: **Xinyuan Xia**, Shenzhen (CN)

(**) Term: **15 Years**

(21) Appl. No.: **29/543,095**

(22) Filed: **Oct. 21, 2015**

(30) **Foreign Application Priority Data**

Sep. 2, 2015 (CN) 2015 3 03368260

(51) **LOC (10) Cl.** **09-03**

(52) **U.S. Cl.**
USPC **D9/432**

(58) **Field of Classification Search**
USPC D9/430, 432, 433, 431, 756, 426, 725,
D9/425, 242, 761, 418; D7/543, 545, 602,
D7/552.2, 538, 553.1, 553.2, 555, 541;
229/112; D6/518

CPC B65D 1/00; B65D 5/4291; B65D 5/38;
B65D 1/225; B65D 5/002; A47F 5/11

See application file for complete search history.

(56) **References Cited**

U.S. PATENT DOCUMENTS

- 2,257,682 A * 9/1941 Hermani B65D 43/165
220/283
- 2,295,747 A * 9/1942 Mills B65D 43/12
220/351
- 5,029,723 A * 7/1991 Lo B65D 43/0222
220/231
- D449,165 S * 10/2001 van der Hulst D3/294
- D469,607 S * 2/2003 Wolff D3/294
- D531,025 S * 10/2006 Tanner D9/426
- D547,175 S * 7/2007 Berg D9/420
- D620,984 S * 8/2010 Rose D20/27
- D665,253 S * 8/2012 Bellamah D9/424

- D686,065 S * 7/2013 Kuo D9/432
- D740,019 S * 10/2015 Hynek D3/205
- D746,671 S * 1/2016 Fohner D9/414
- D756,561 S * 5/2016 Ghiotti D27/186
- D762,173 S * 7/2016 Solomon D13/110
- D763,629 S * 8/2016 Swartz D7/629
- D764,910 S * 8/2016 Akana D9/432
- D764,911 S * 8/2016 Glass D9/432
- 9,445,631 B1 * 9/2016 Patel A24F 23/00

* cited by examiner

Primary Examiner — Cynthia Underwood

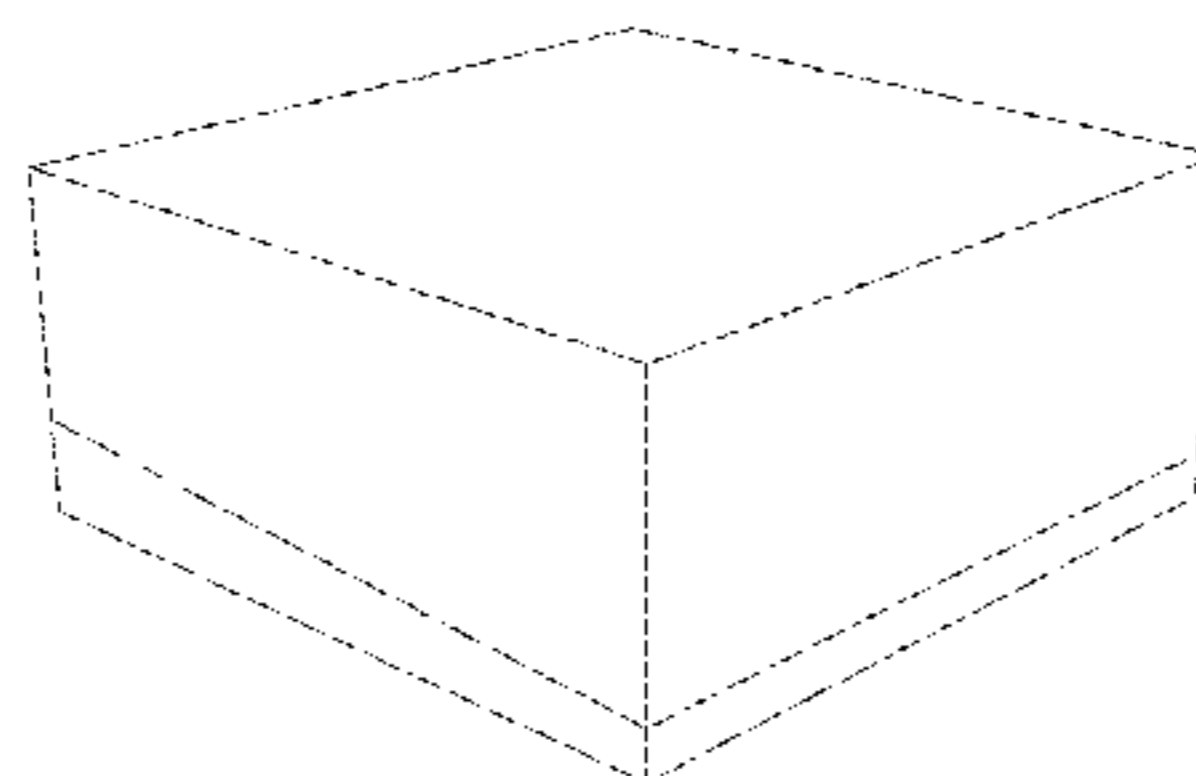
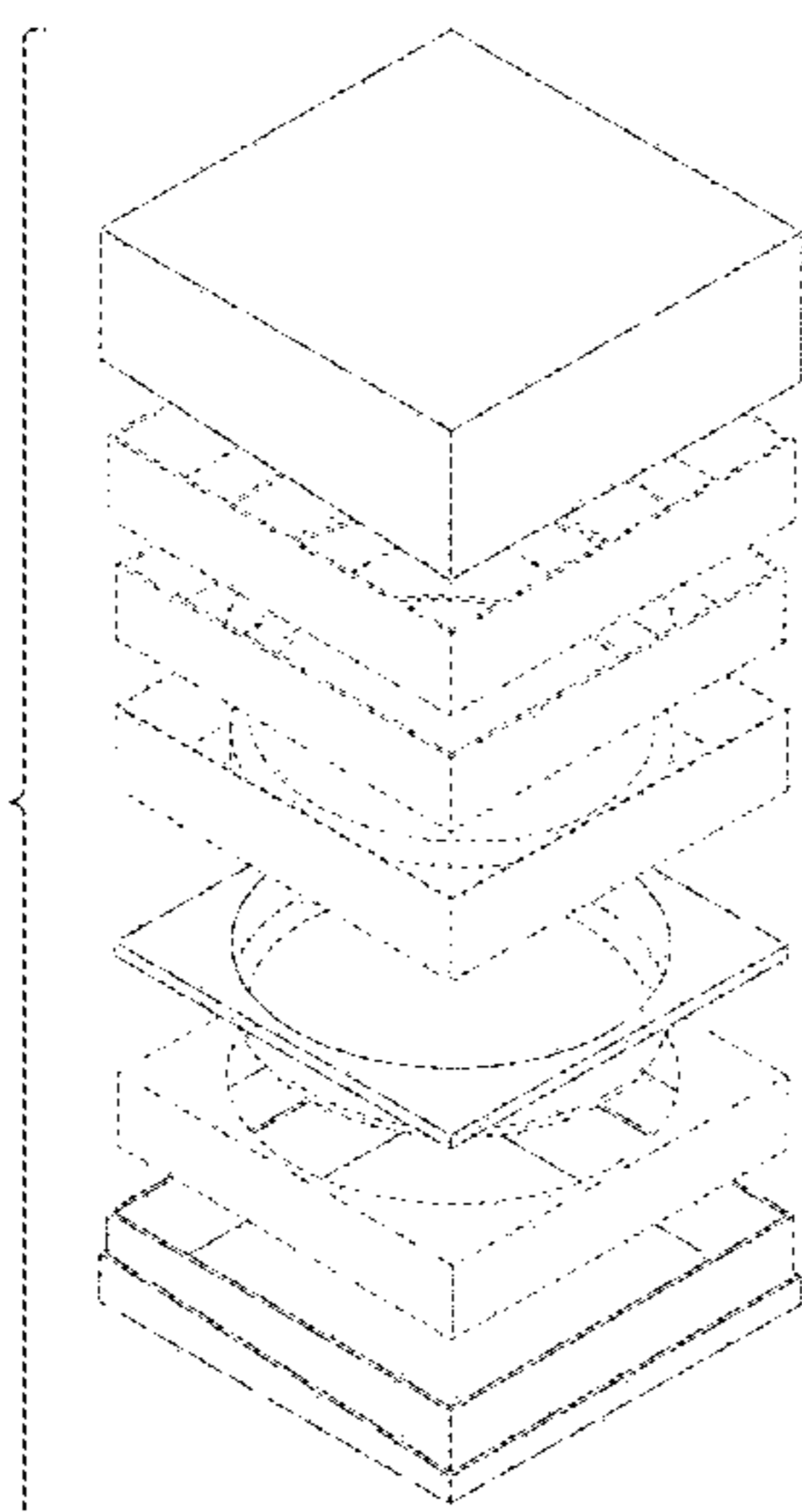
(57) **CLAIM**

The ornamental design for a packaging, as shown and described.

DESCRIPTION

FIG. 1 is an exploded perspective view of the packaging in accordance with the present invention;
 FIG. 2 is a perspective view of the embodiment of the packaging depicted in FIG. 1;
 FIG. 3 is a front side view of the embodiment of the packaging depicted in FIG. 1;
 FIG. 4 is a back side view of the embodiment of the packaging depicted in FIG. 1;
 FIG. 5 is a left side view of the embodiment of the packaging depicted in FIG. 1;
 FIG. 6 is a right side view of the embodiment of the packaging depicted in FIG. 1;
 FIG. 7 is a top side view of the embodiment of the packaging depicted in FIG. 1; and
 FIG. 8 is a bottom side view of the embodiment of the packaging depicted in FIG. 1; and,
 FIG. 9 is another perspective view of the embodiment of the packaging depicted in FIG. 1, in which the cover of the packaging is opened.
 The broken lines showing the environment in the Figures are for illustrative purposes only and form no part of the claimed design.

1 Claim, 7 Drawing Sheets



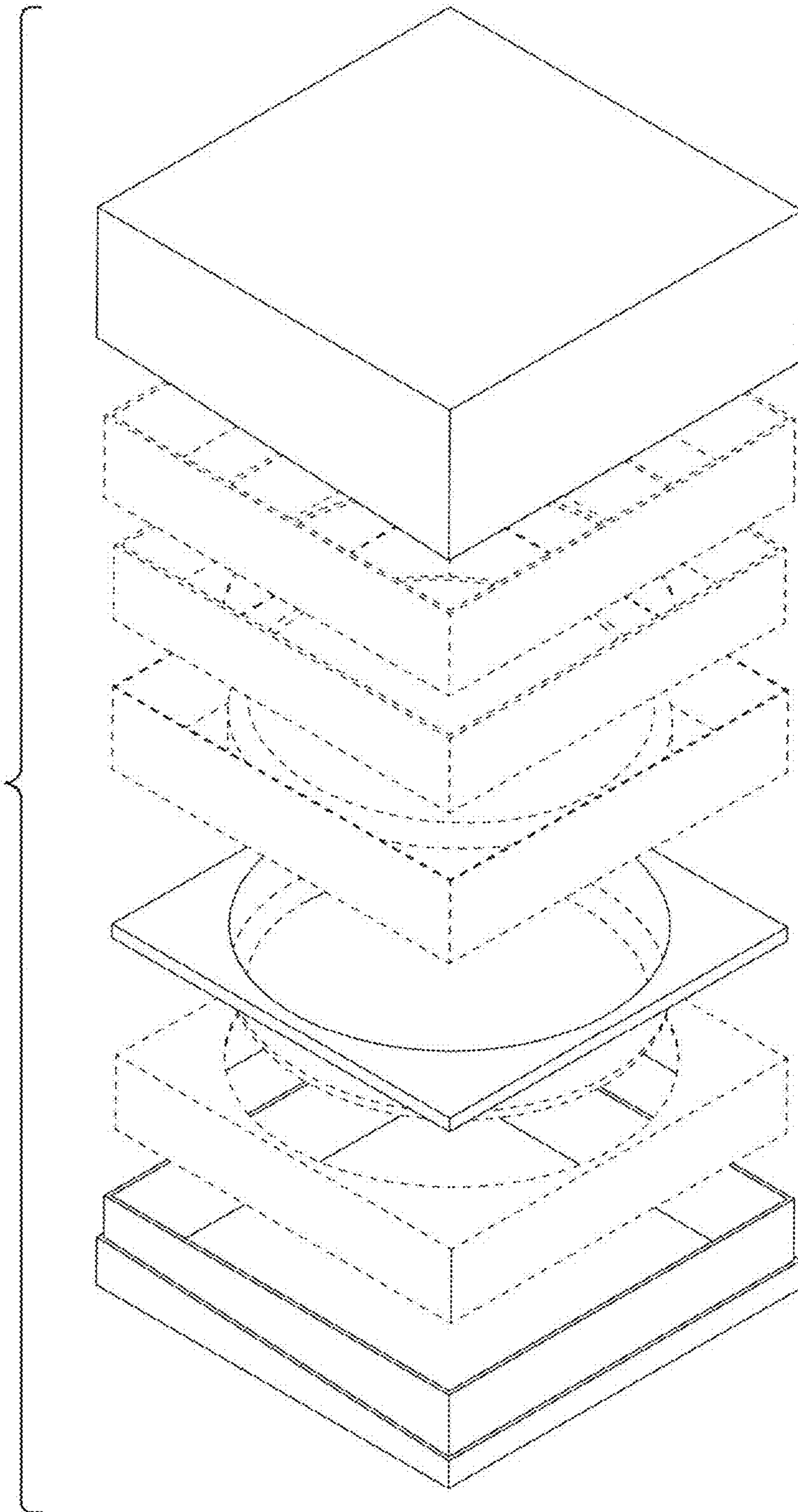


FIG. 1

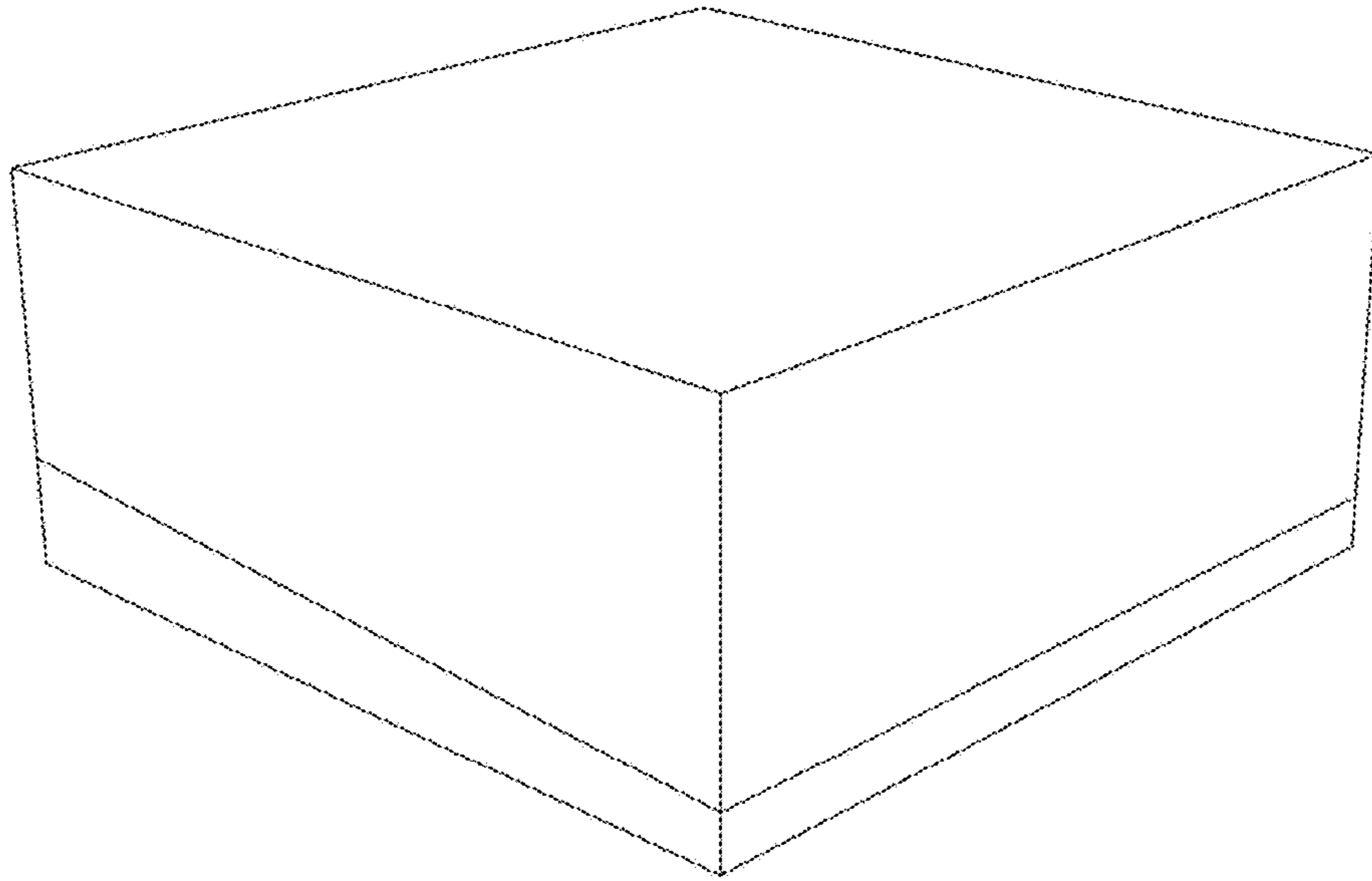


FIG. 2

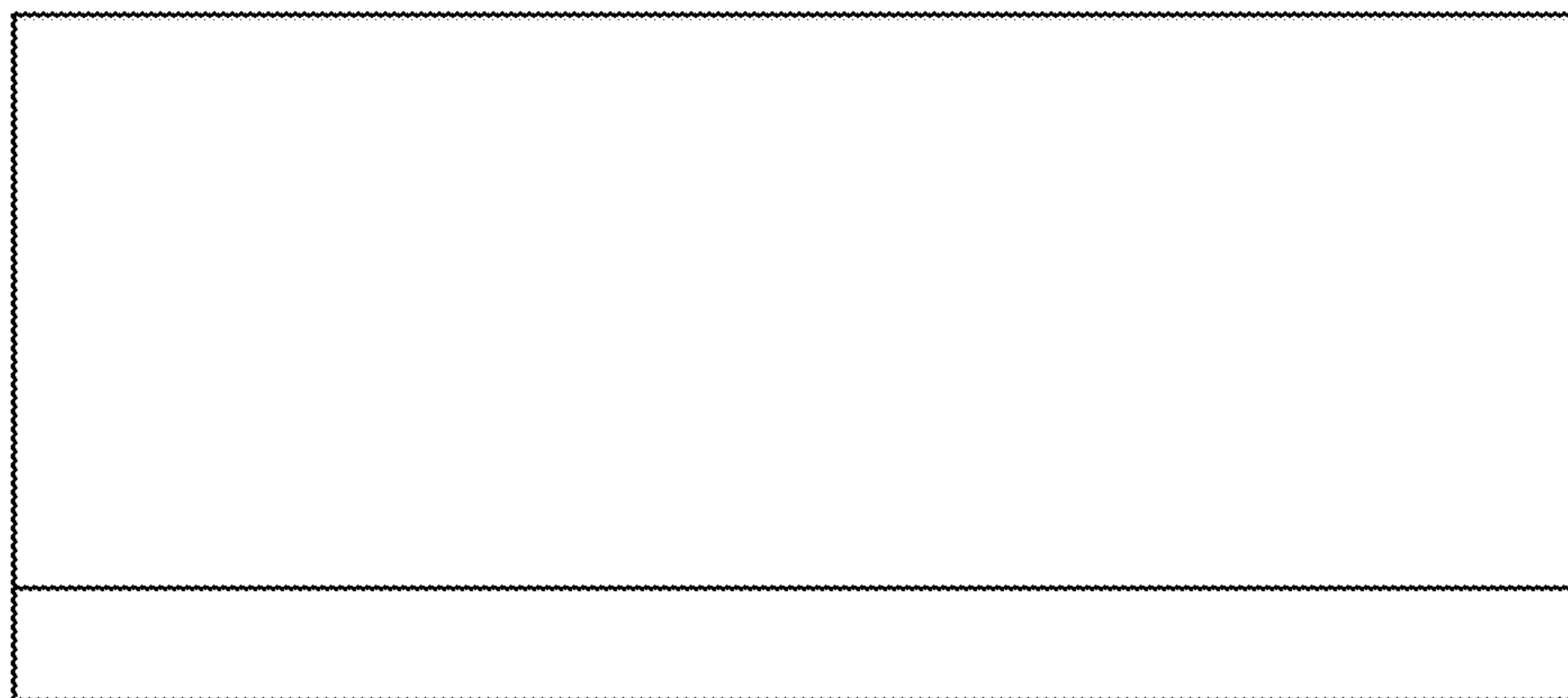


FIG. 3

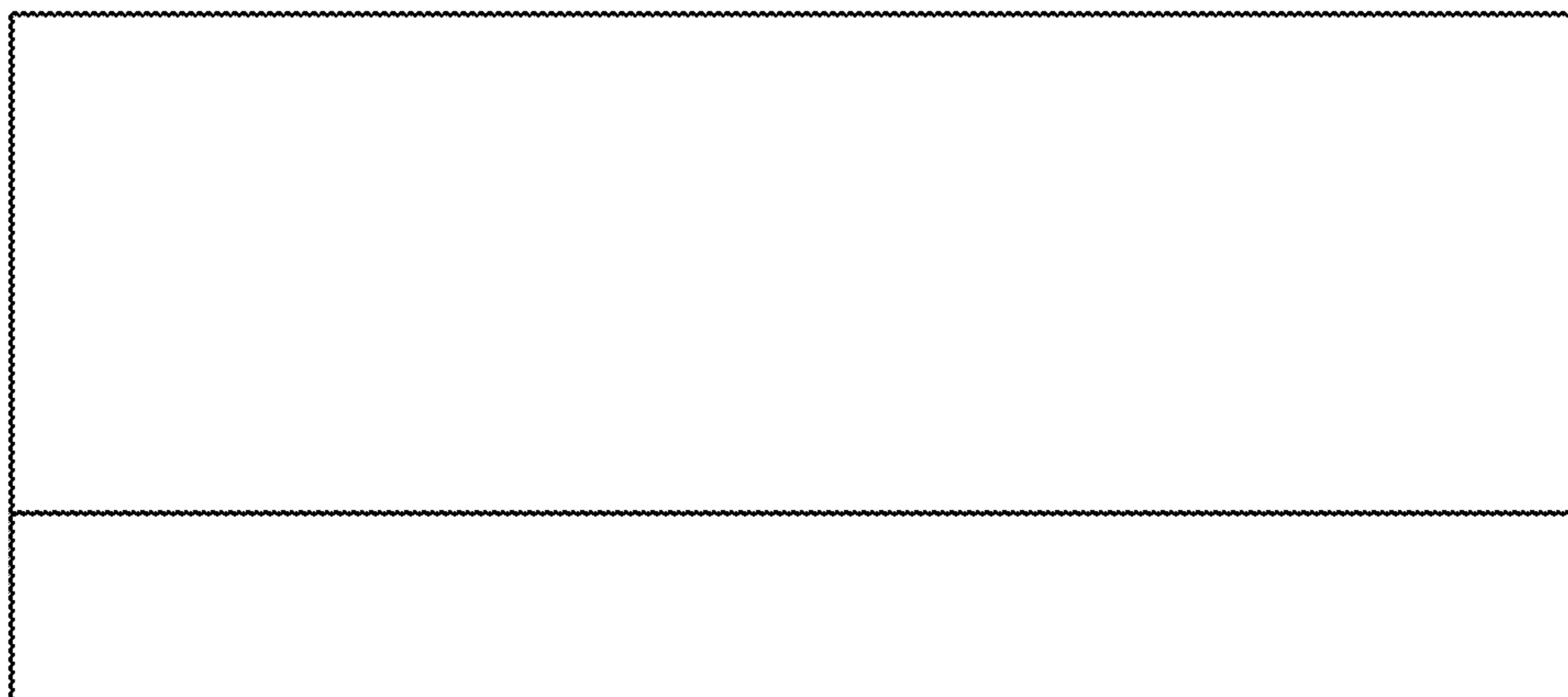


FIG. 4

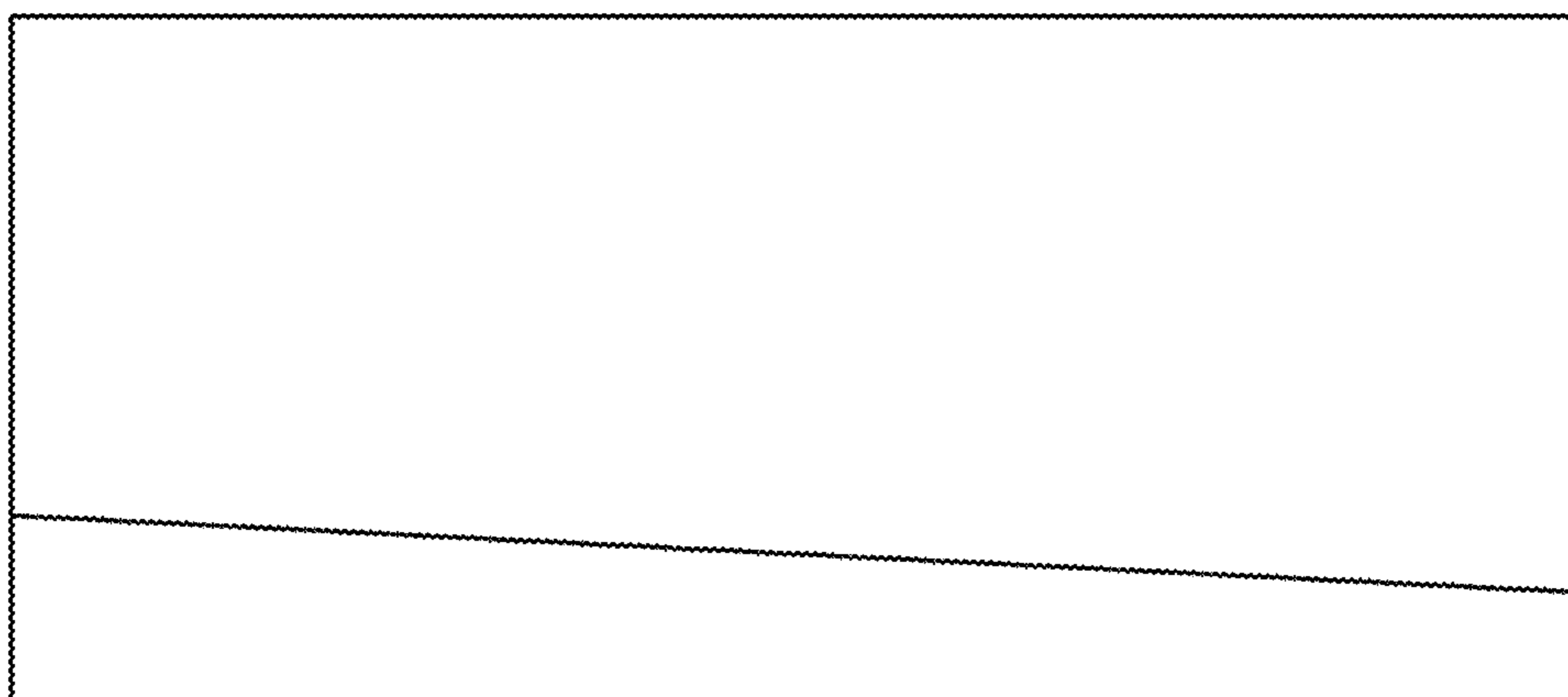


FIG. 5

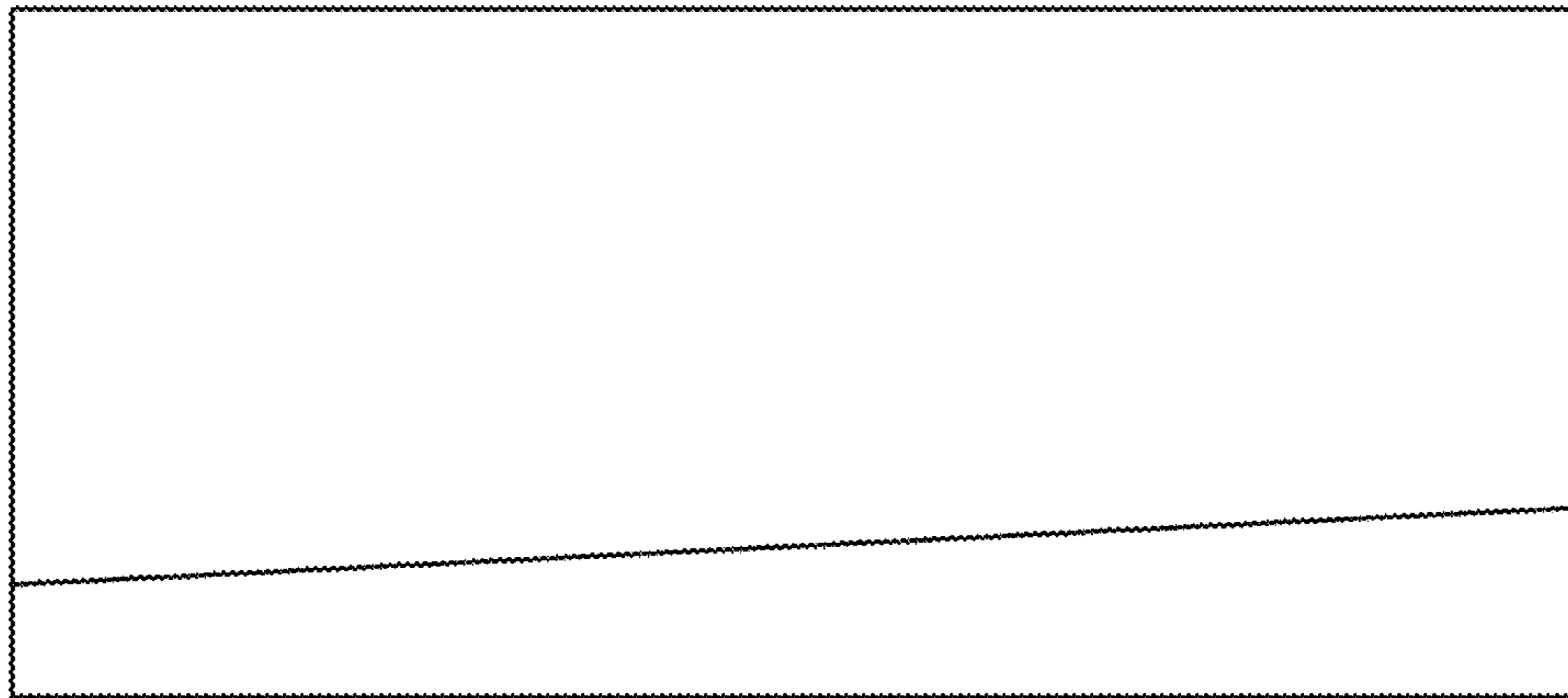


FIG. 6

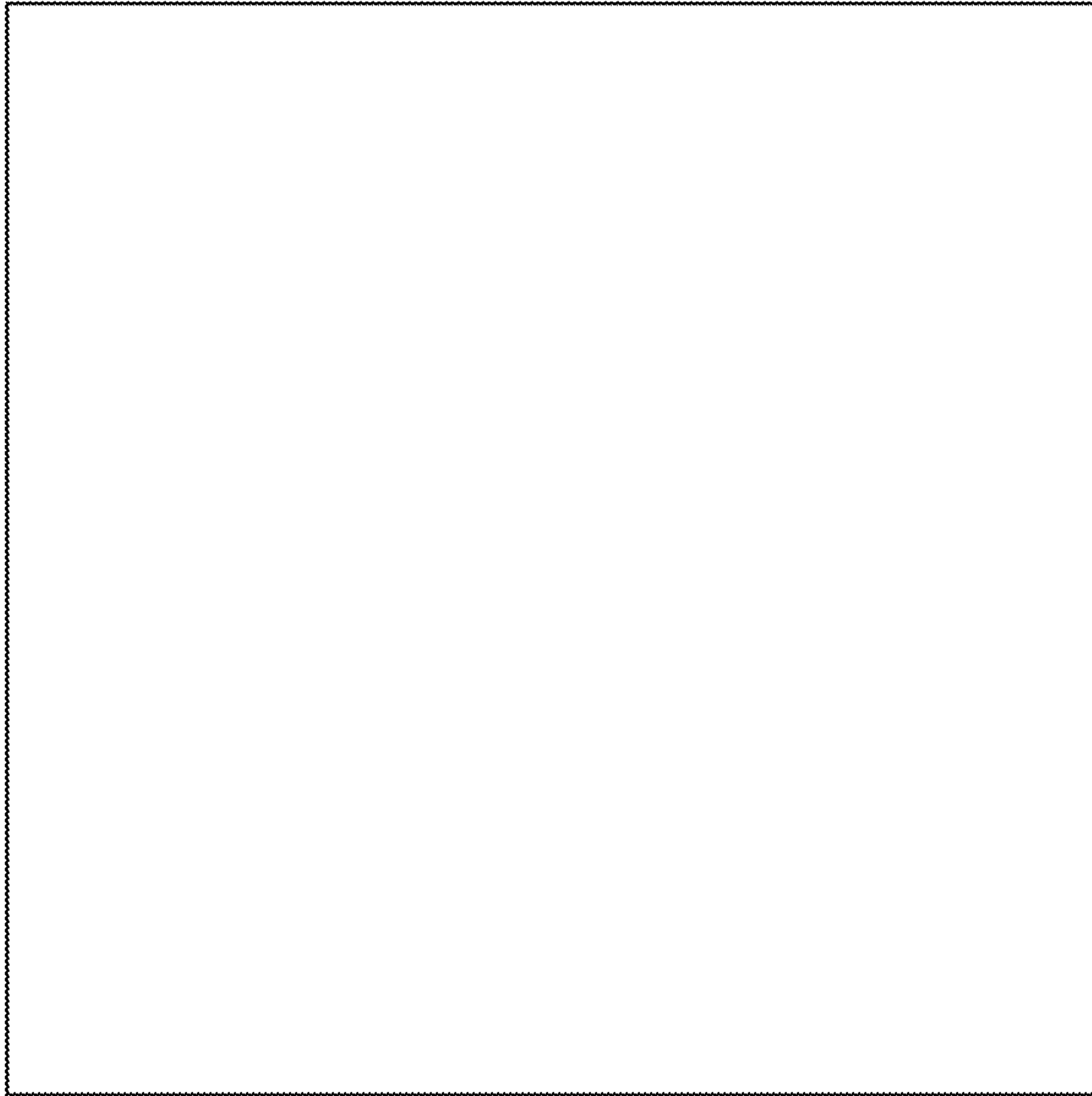


FIG. 7

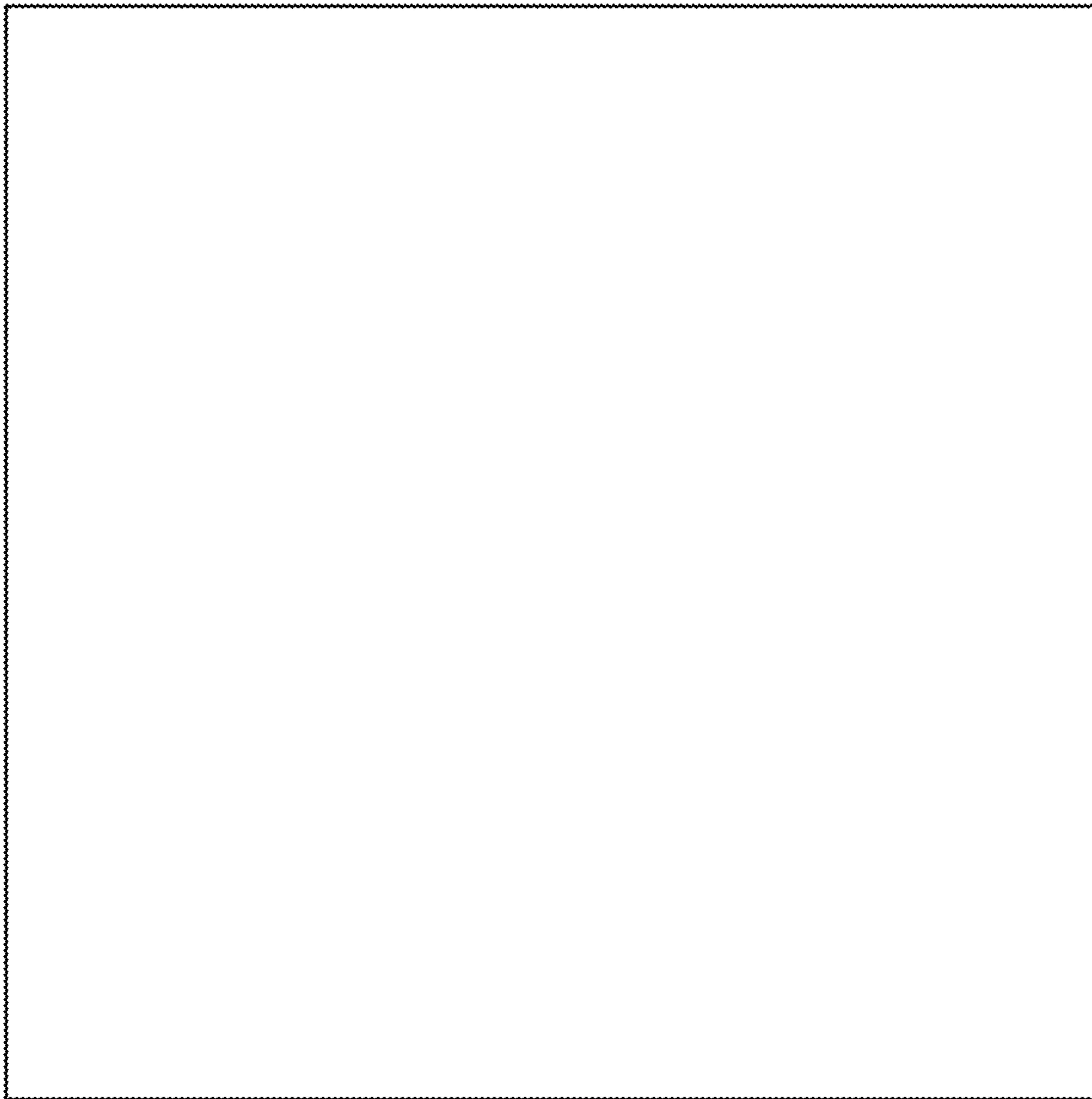


FIG. 8

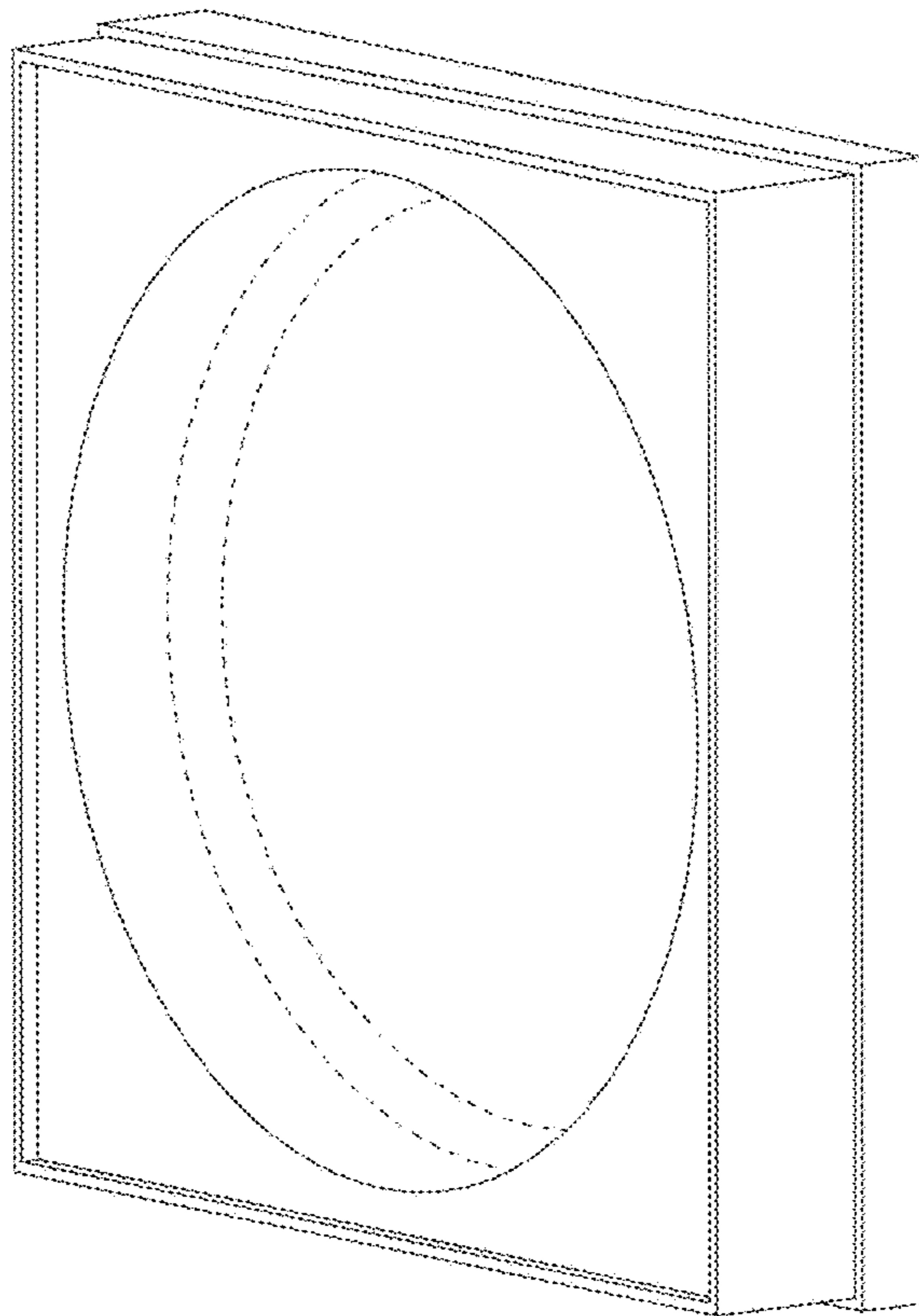
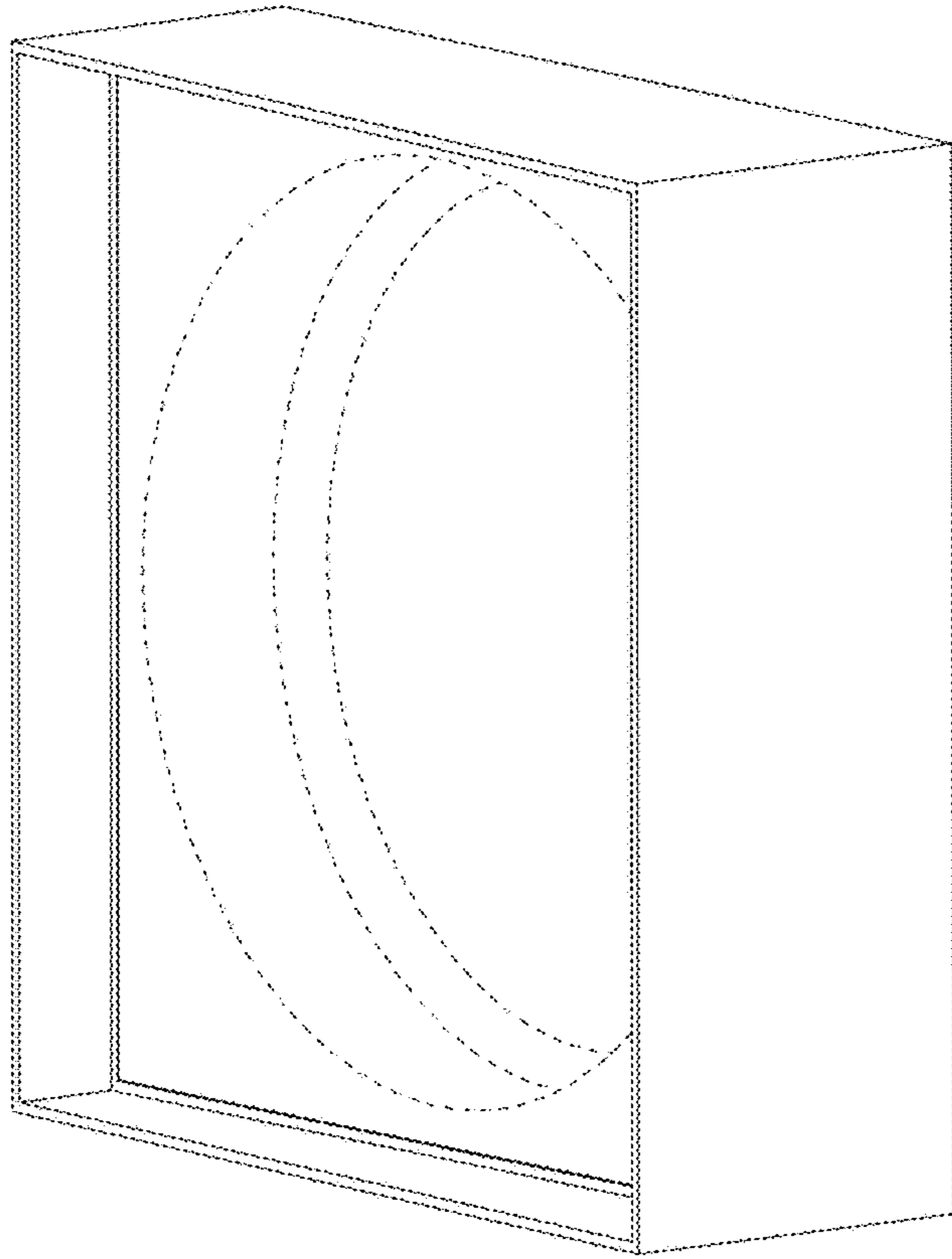


FIG. 9