



US00D774387S

(12) **United States Design Patent** (10) **Patent No.:** **US D774,387 S**
Joergensen et al. (45) **Date of Patent:** **** Dec. 20, 2016**

- (54) **FOOD CONTAINER**
- (71) Applicant: **NatureSweet, Ltd.**, San Antonio, TX (US)
- (72) Inventors: **J. Michael Joergensen**, San Antonio, TX (US); **Bryant P. Ambelang**, San Antonio, TX (US); **Jacob Teitelbaum**, Oakland, CA (US)
- (73) Assignee: **NatureSweet, Ltd.**, San Antonio, TX (US)
- (**) Term: **15 Years**
- (21) Appl. No.: **29/562,760**
- (22) Filed: **Apr. 28, 2016**

- D272,233 S 1/1984 Parmentier
- D346,552 S 5/1994 Krupa
- D368,414 S * 4/1996 VanHalteren D7/675
- D379,300 S * 5/1997 Krupa D9/757
- D459,988 S 7/2002 Hogman
- D475,288 S 6/2003 Hoffmann et al.
- D485,470 S 1/2004 Willis
- D504,286 S * 4/2005 de Cleir D7/675
- D506,397 S * 6/2005 Hall D9/757
- D507,756 S * 7/2005 Hall D9/757
- D512,330 S 12/2005 Hall
- D562,678 S 2/2008 Shaver et al.
- D569,242 S 5/2008 Flamand
- D584,140 S 1/2009 Roe et al.
- D592,076 S * 5/2009 Sipe D9/420
- D594,279 S 6/2009 Ablo
- D596,954 S 7/2009 Jimenez et al.
- D606,421 S * 12/2009 Krummenacher D9/757
- D621,616 S * 8/2010 Tussy D3/269
- D687,681 S 8/2013 Barber
- D692,726 S 11/2013 Kinney

(Continued)

Related U.S. Application Data

- (62) Division of application No. 29/511,259, filed on Dec. 9, 2014, now Pat. No. Des. 758,183.
- (51) **LOC (10) Cl.** **09-03**
- (52) **U.S. Cl.**
USPC **D9/425**
- (58) **Field of Classification Search**
USPC D9/414, 420, 423, 424, 425, 427, 428, D9/431, 432, 643-647, 715, 737, 756, D9/757, 762, 761, 426; D7/541, 553.1, D7/601, 602, 629, 630, 701, 703, 707, D7/708; 220/4.21-4.22, 602-608, 669, 220/675, 835-839
CPC B65D 85/34; B65D 85/345; B65D 43/161; B65D 43/162
See application file for complete search history.

Primary Examiner — Ian Simmons
Assistant Examiner — Keith Frank
(74) *Attorney, Agent, or Firm* — Norton Rose Fulbright US LLP

(57) **CLAIM**

The ornamental design for a food container, as shown and described.

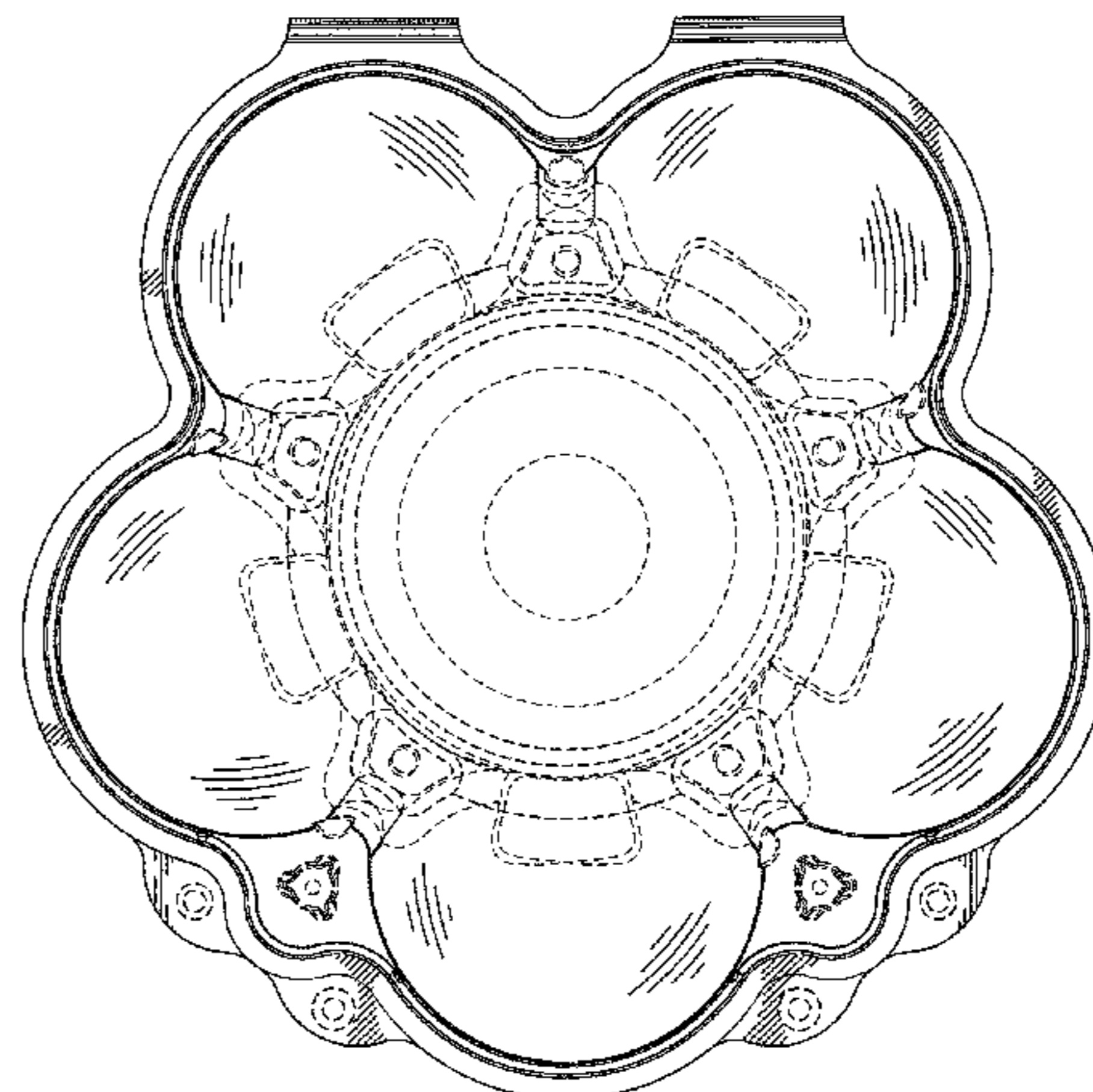
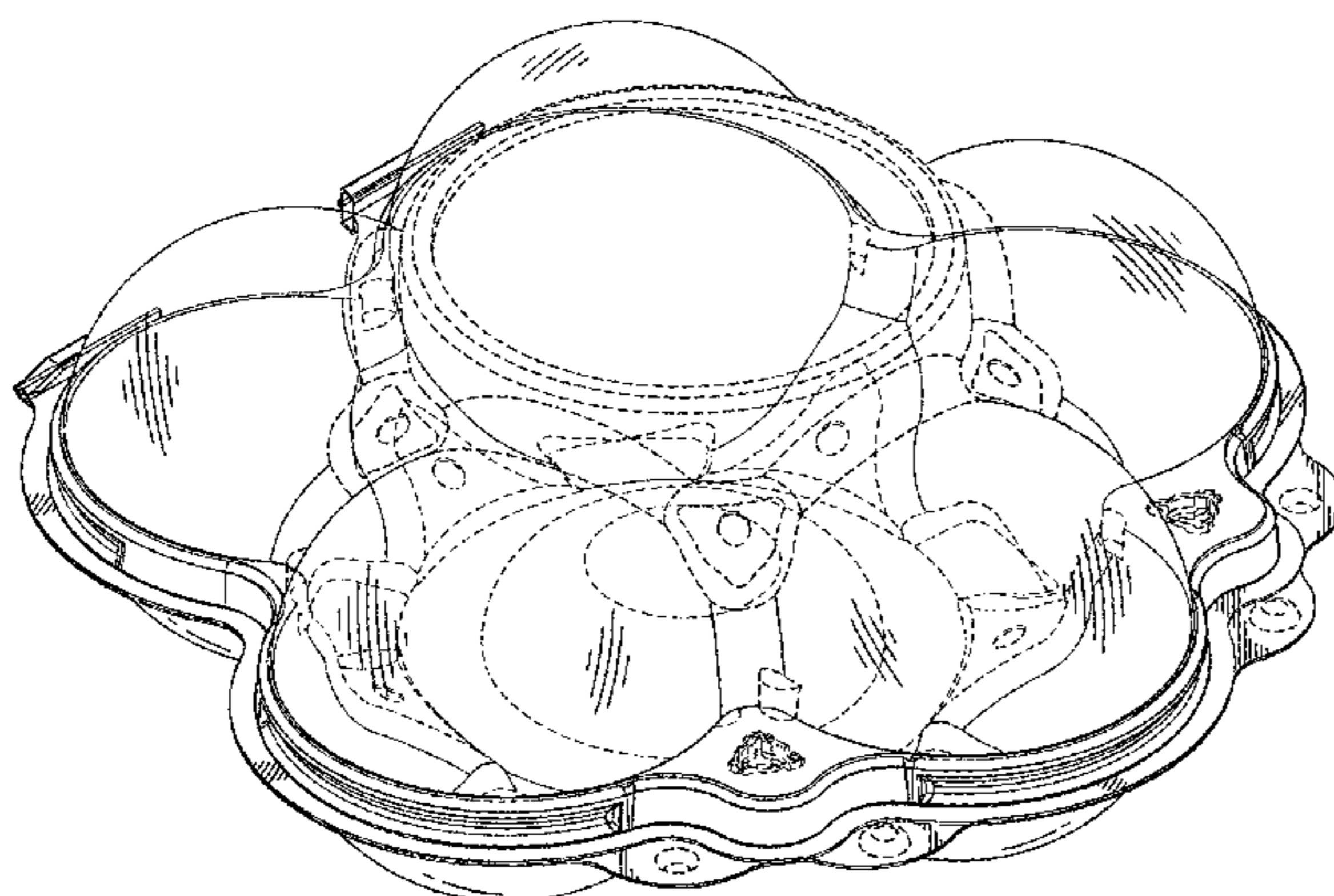
DESCRIPTION

FIG. 1 is a front perspective view of a food container showing of our new design;
FIG. 2 is a front elevation view thereof;
FIG. 3 is a back elevation view thereof;
FIG. 4 is a right elevation view thereof;
FIG. 5 is a left elevation view thereof;
FIG. 6 is a top plan view thereof; and,
FIG. 7 is a bottom plan view thereof.
The broken lines shown in the figures represent unclaimed subject matter and form no part of the claimed design.

(56) **References Cited**
U.S. PATENT DOCUMENTS

- D154,431 S 7/1949 Reinecke
- D270,302 S 8/1983 Starzec

1 Claim, 5 Drawing Sheets



(56)

References Cited

U.S. PATENT DOCUMENTS

D695,137	S	12/2013	Buckley et al.	
D696,072	S	12/2013	Hsu	
D698,196	S	1/2014	Barber	
D716,153	S *	10/2014	Bodmer	D9/757
D730,588	S *	5/2015	Risser	D30/121
D737,102	S *	8/2015	Hand	D7/542
D739,265	S *	9/2015	Buckley	D9/762
D739,767	S	9/2015	Schleining	
D750,848	S *	3/2016	Risser	D30/129
2011/0094918	A1	4/2011	Hernandez	
2011/0180446	A1	7/2011	Kidd et al.	

* cited by examiner

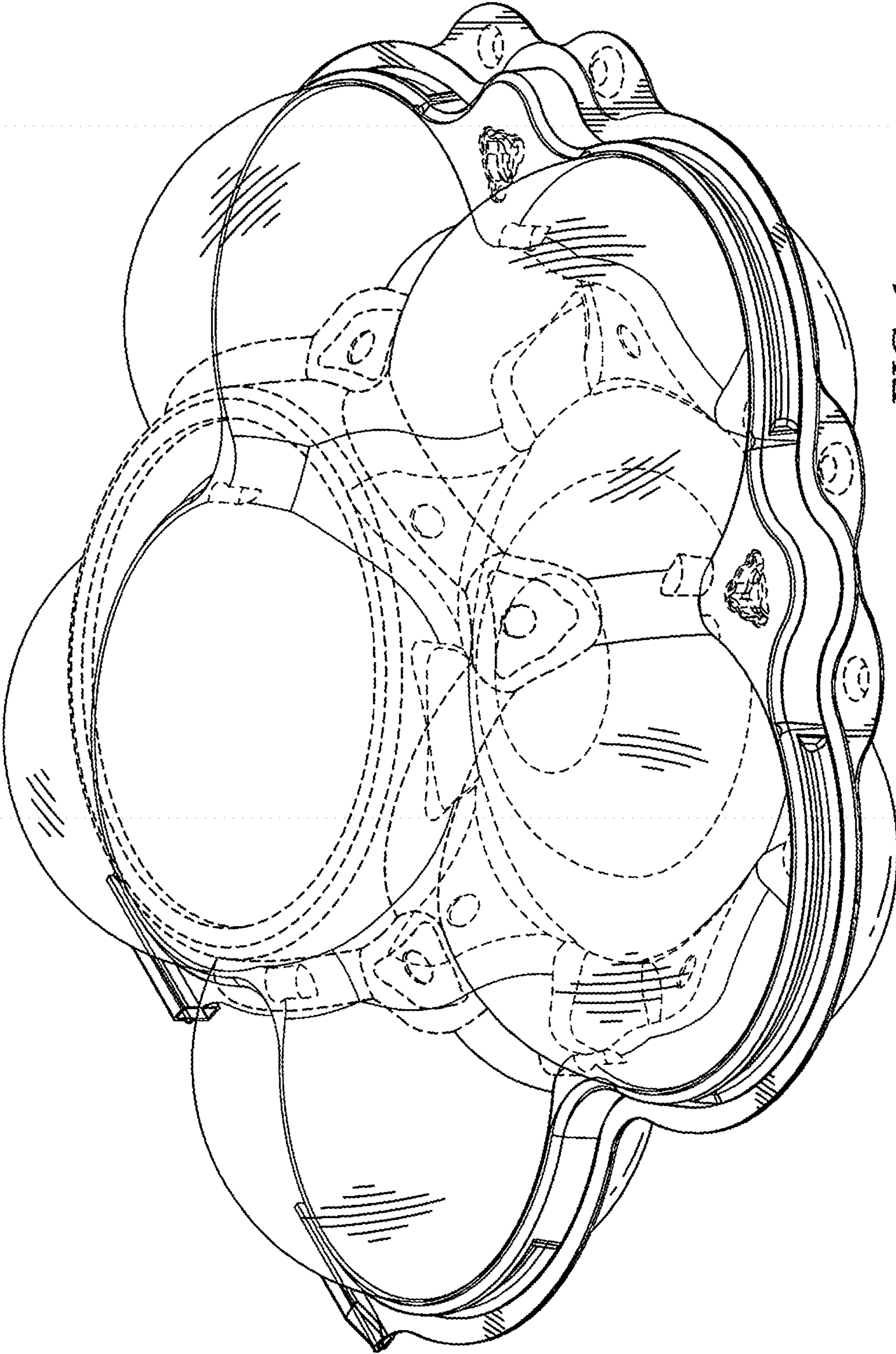


FIG. 1

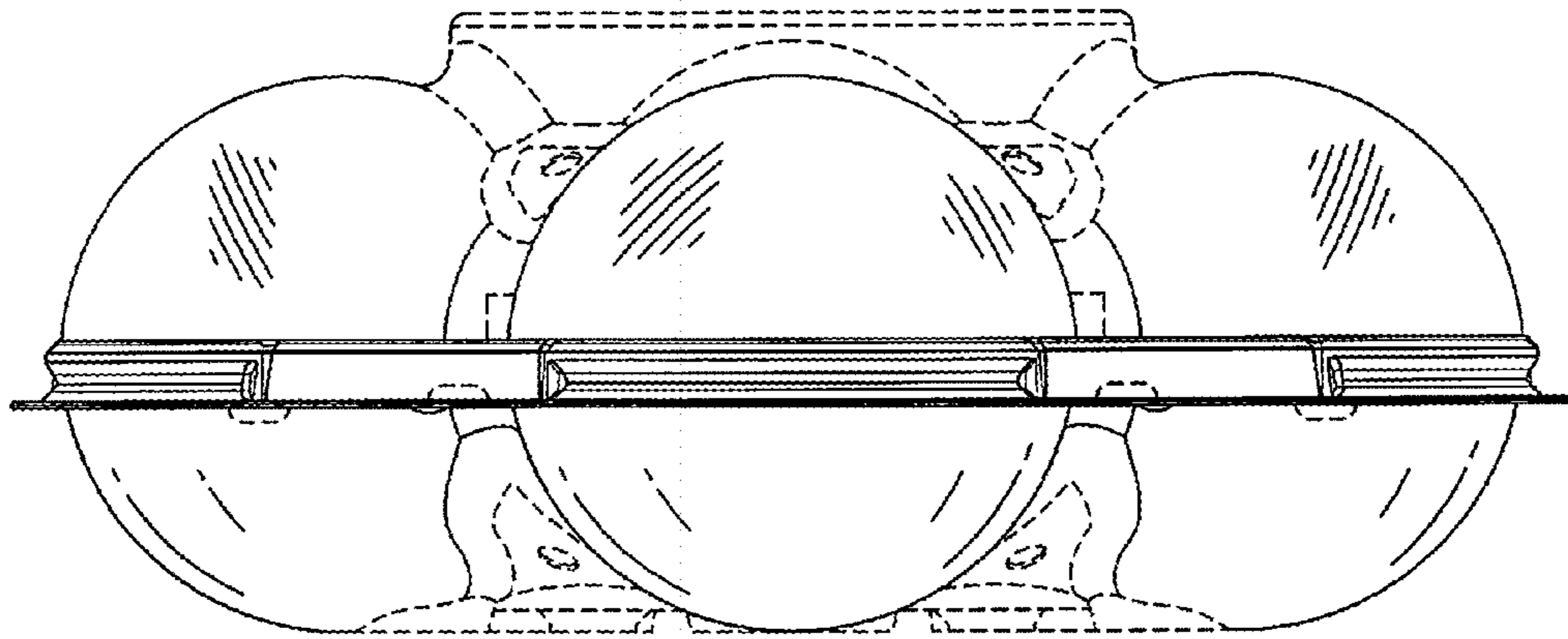


FIG. 2

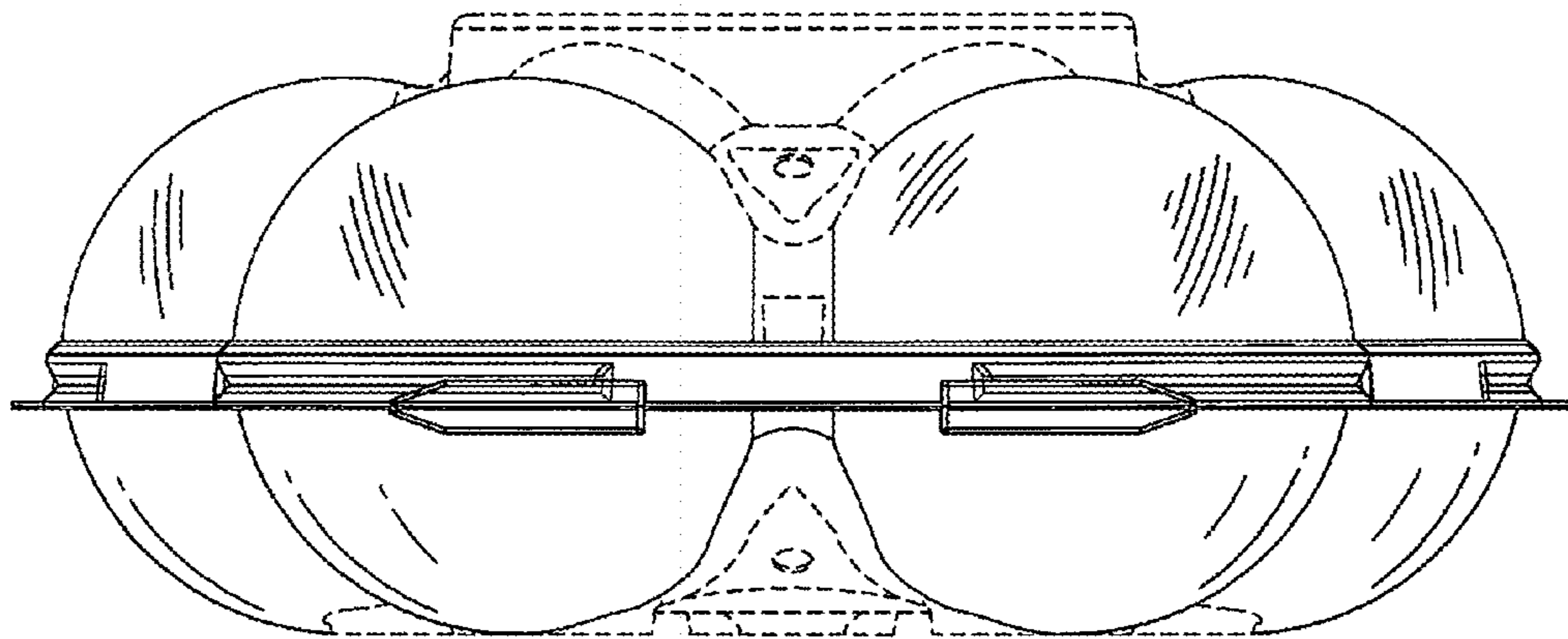


FIG. 3

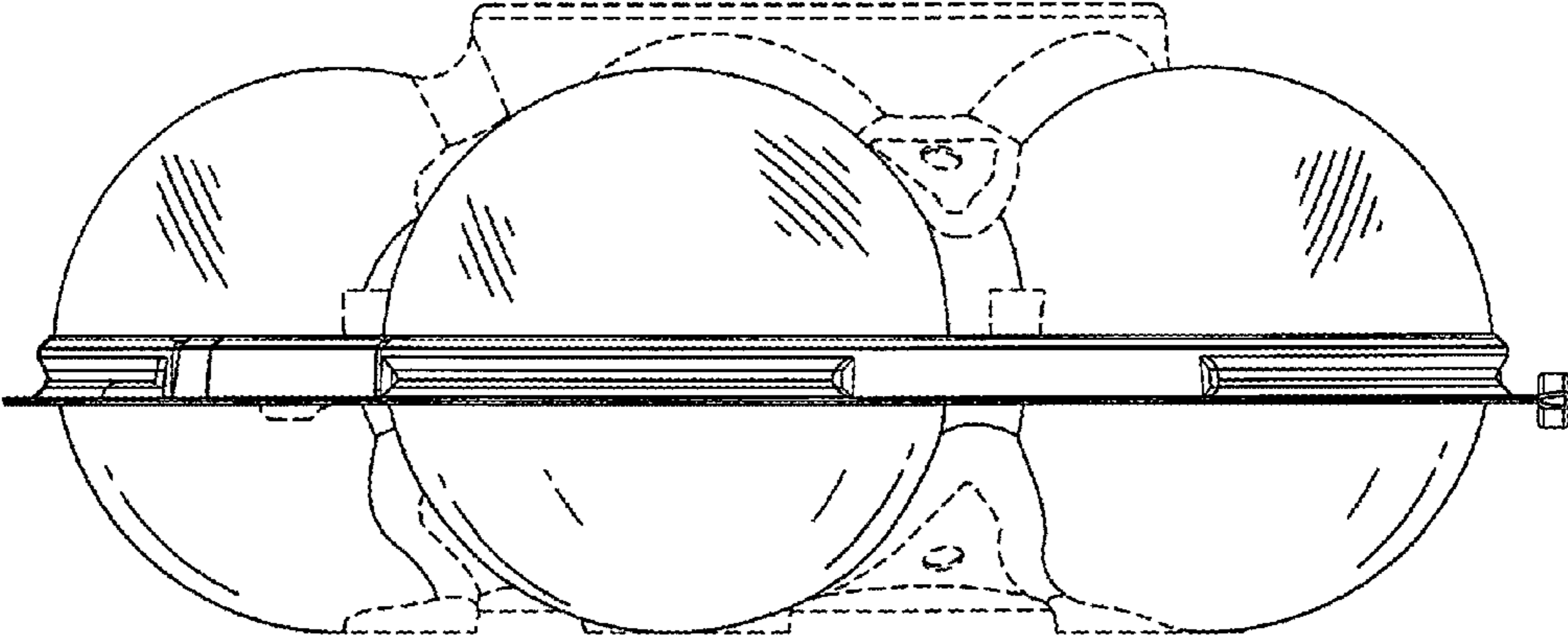


FIG. 4

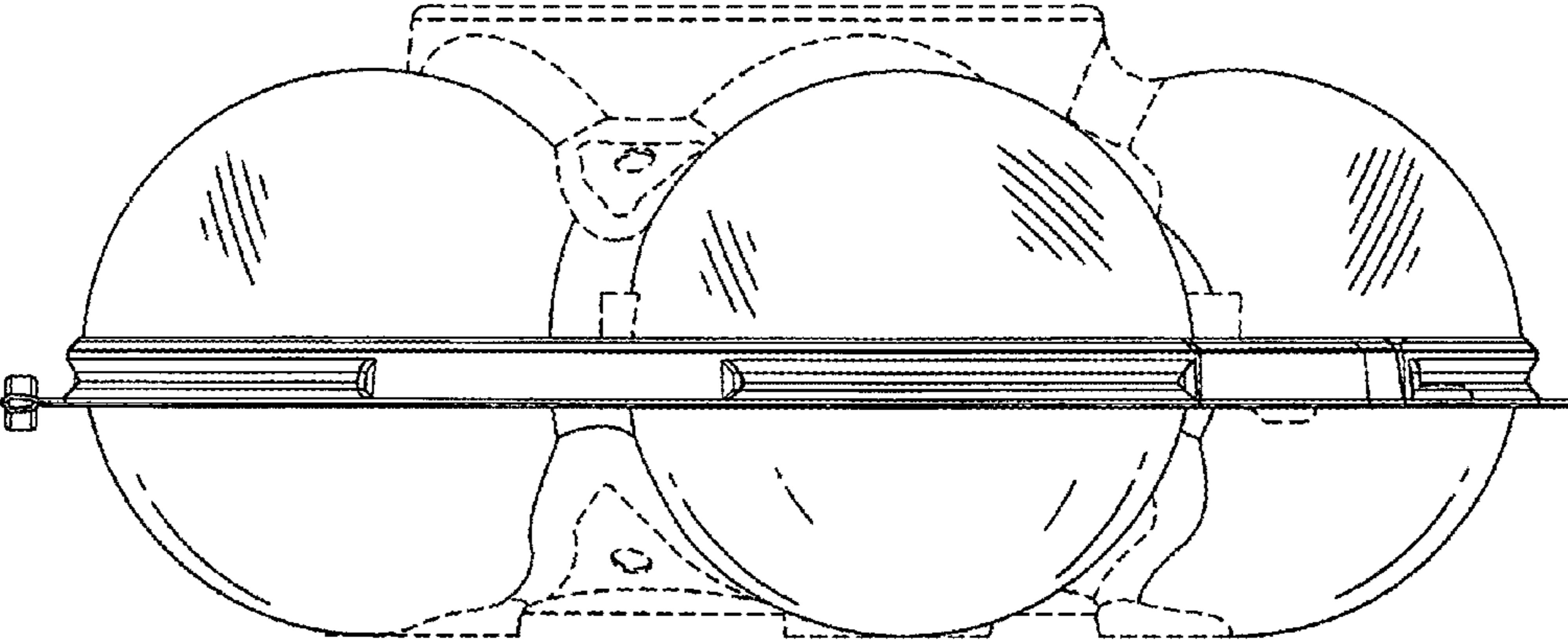


FIG. 5

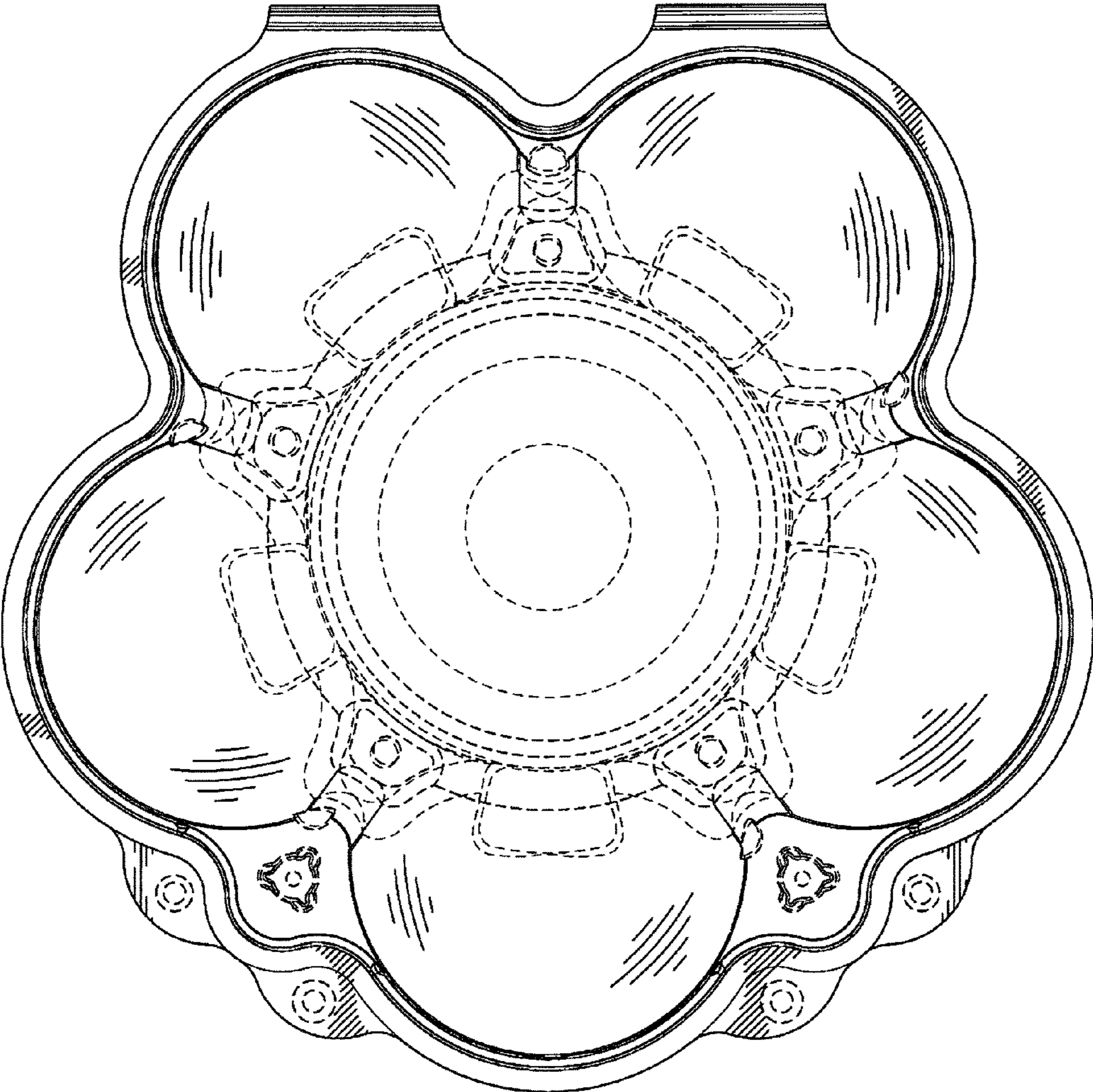


FIG. 6

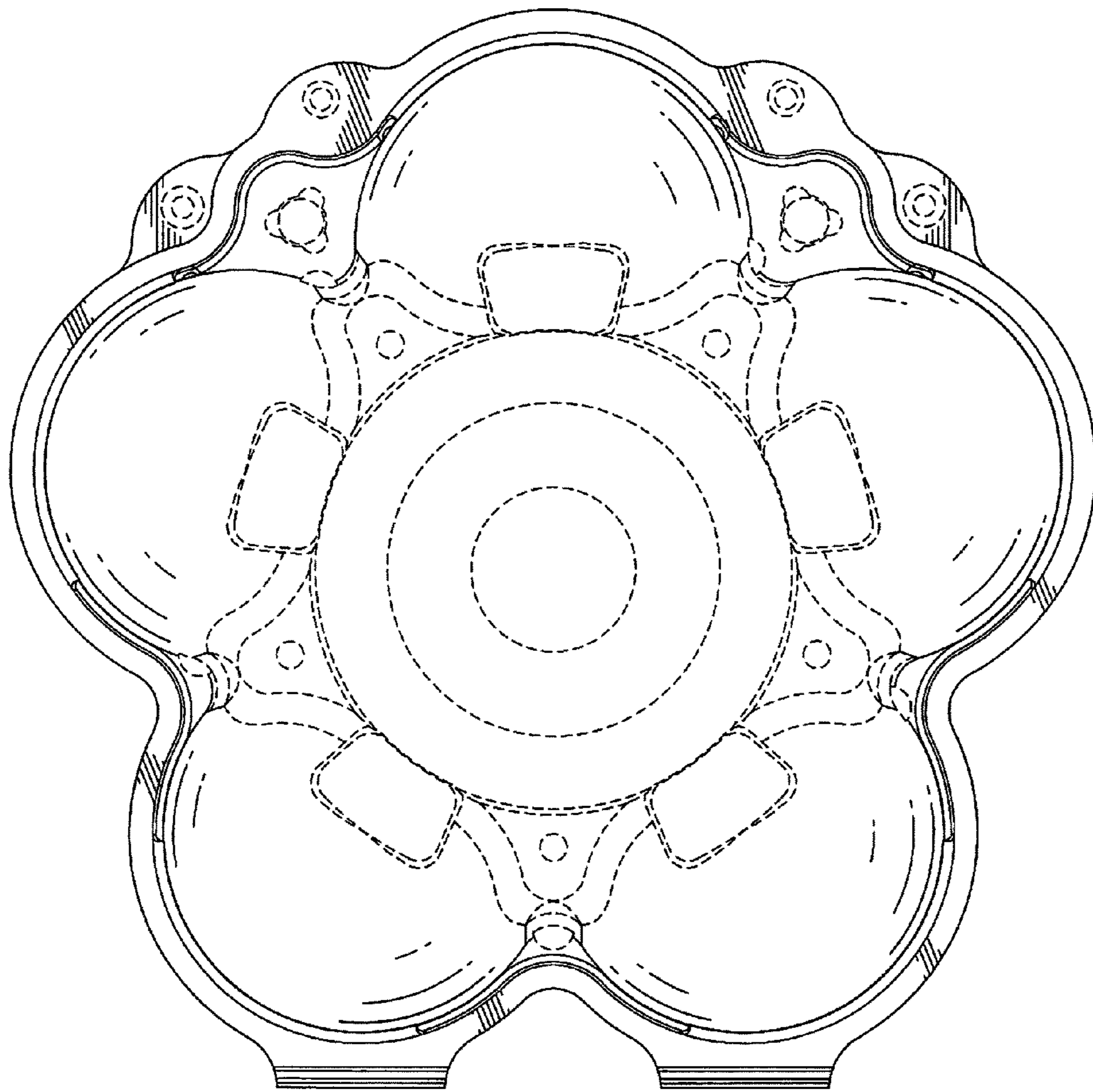


FIG. 7