



US00D774386S

(12) **United States Design Patent** (10) **Patent No.:** **US D774,386 S**  
**Brown** (45) **Date of Patent:** **\*\* Dec. 20, 2016**

(54) **TAMPER-PROOF NUT**  
(71) Applicant: **Randall Brown**, Surrey (CA)  
(72) Inventor: **Randall Brown**, Surrey (CA)  
(\*\*) Term: **14 Years**  
(21) Appl. No.: **29/521,870**  
(22) Filed: **Mar. 26, 2015**  
(51) **LOC (10) Cl.** ..... **08-08**  
(52) **U.S. Cl.**  
USPC ..... **D8/399**  
(58) **Field of Classification Search**  
USPC ..... D8/399, 382, 349  
CPC ..... F16B 31/028; F16B 39/28; F16B 41/005;  
F16B 39/34; B65D 39/084; B60B 27/001;  
B25B 13/485  
See application file for complete search history.

D487,562 S 3/2004 Campbell  
D563,212 S 3/2008 Campbell  
D744,821 S \* 12/2015 May ..... D8/397

**OTHER PUBLICATIONS**

Nuts. Datasheet [online]. Allegheny Bolt and Screw Corp. [retrieved on Jun. 2, 2015]. Retrieved from the Internet: <URL: <http://www.alleghenybolt.com/nuts.html>>. Believed by applicant's representative to have been made available to the public at least as early as Aug. 18, 2010.  
Tamper-Resistant Nuts. Datasheet [online]. McMaster-Carr [retrieved on Jun. 2, 2015]. Retrieved from the Internet: <URL: <http://www.mcmaster.com/#tamper-resistant-nuts/=xjupqz>>. Known by applicant to have been made available to the public at least as early as Mar. 25, 2015.

(Continued)

*Primary Examiner* — Cynthia Underwood  
(74) *Attorney, Agent, or Firm* — Oyen Wiggs Green & Mutala LLP

(56) **References Cited**

**U.S. PATENT DOCUMENTS**

391,891 A \* 10/1888 Foerster ..... B65D 39/084  
16/24  
529,683 A \* 11/1894 Herman ..... B60B 27/001  
301/115  
D56,847 S \* 1/1921 Armstrong ..... D8/399  
3,522,830 A \* 8/1970 Blizard ..... F16B 39/34  
411/303  
D245,067 S \* 7/1977 Coldren ..... D8/397  
4,521,146 A \* 6/1985 Wharton ..... F16B 41/005  
411/1  
4,668,143 A \* 5/1987 Rotar ..... B25B 13/485  
411/140  
5,090,854 A \* 2/1992 Hafeli ..... F16B 39/28  
411/155  
5,890,857 A \* 4/1999 Herrera ..... F16B 31/028  
411/11

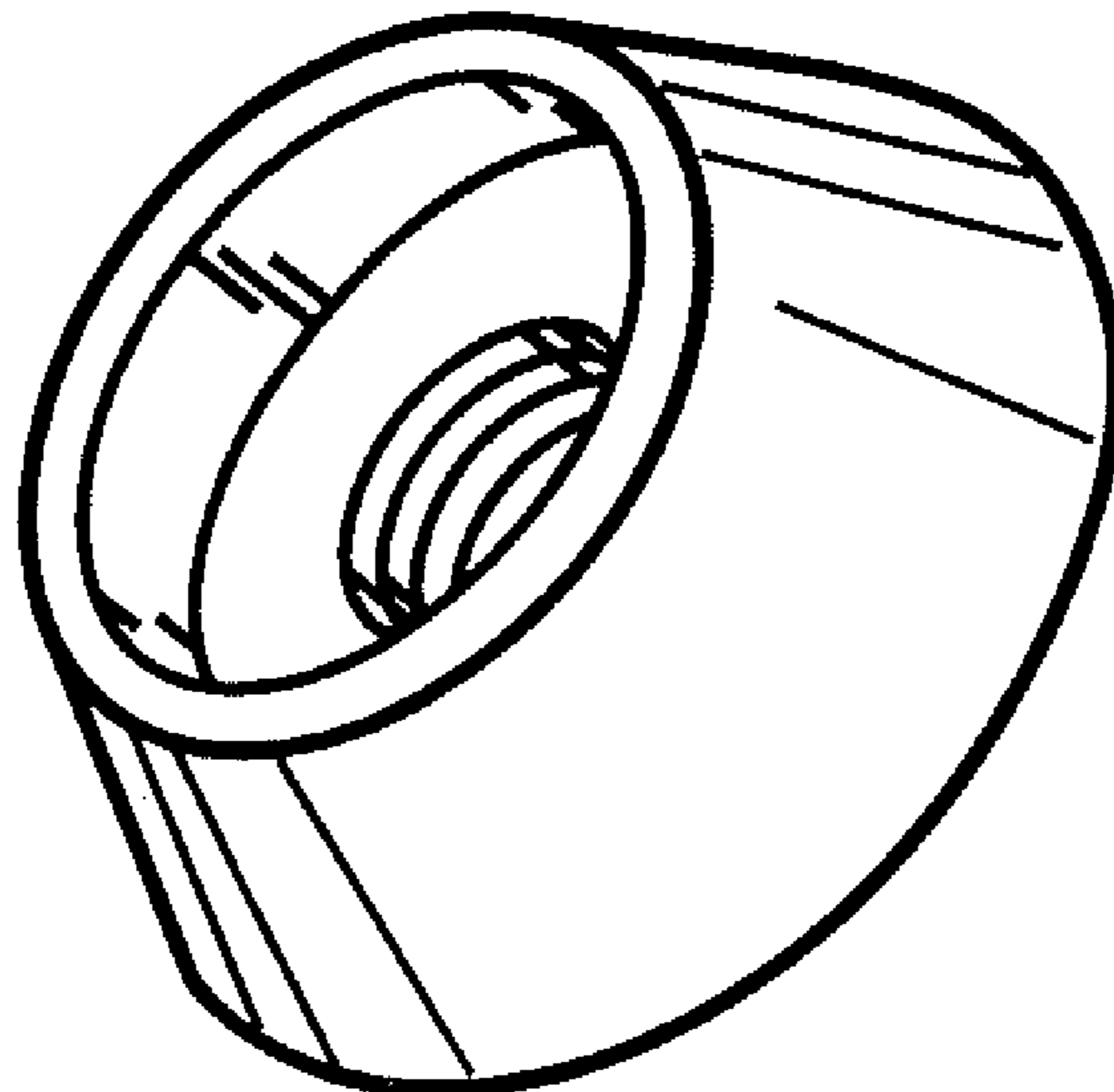
(57) **CLAIM**

The ornamental design for a tamper-proof nut, as shown and described.

**DESCRIPTION**

FIG. 1 is a perspective view of a tamper-proof nut; FIG. 2 is a side elevation view of the tamper-proof nut; FIG. 3 is a front view of the tamper proof nut; and, FIG. 4 is a rear view of the tamper-proof nut. The design consists of the visual features of the tamper-proof nut shown in the drawings, whether those features are one of shape, configuration, ornament, or pattern or are a combination of any of these features.

**1 Claim, 1 Drawing Sheet**



(56)

**References Cited**

OTHER PUBLICATIONS

Spanner Nut, Spanner Nuts and Driver. Datasheet [online]. Tamperproof Screw Co. [retrieved on Jun. 2, 2015]. Retrieved from the Internet: <URL: <http://www.tamperproof.com/categories/spanner-nut-removable-security-nut.html>>. Believed by applicant's representative to have been made available to the public at least as early as Sep. 19, 2008.

\* cited by examiner

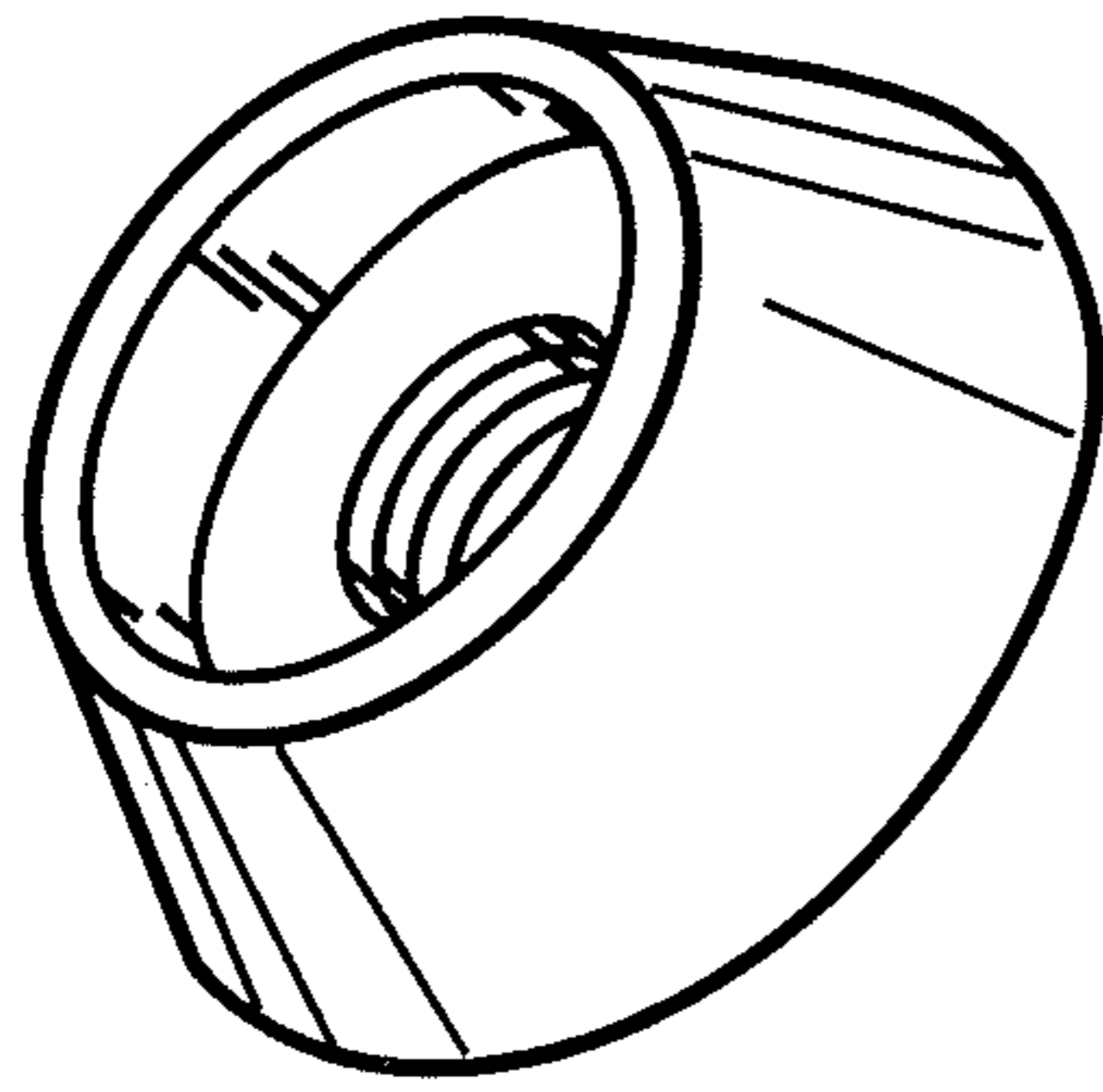


FIG. 1

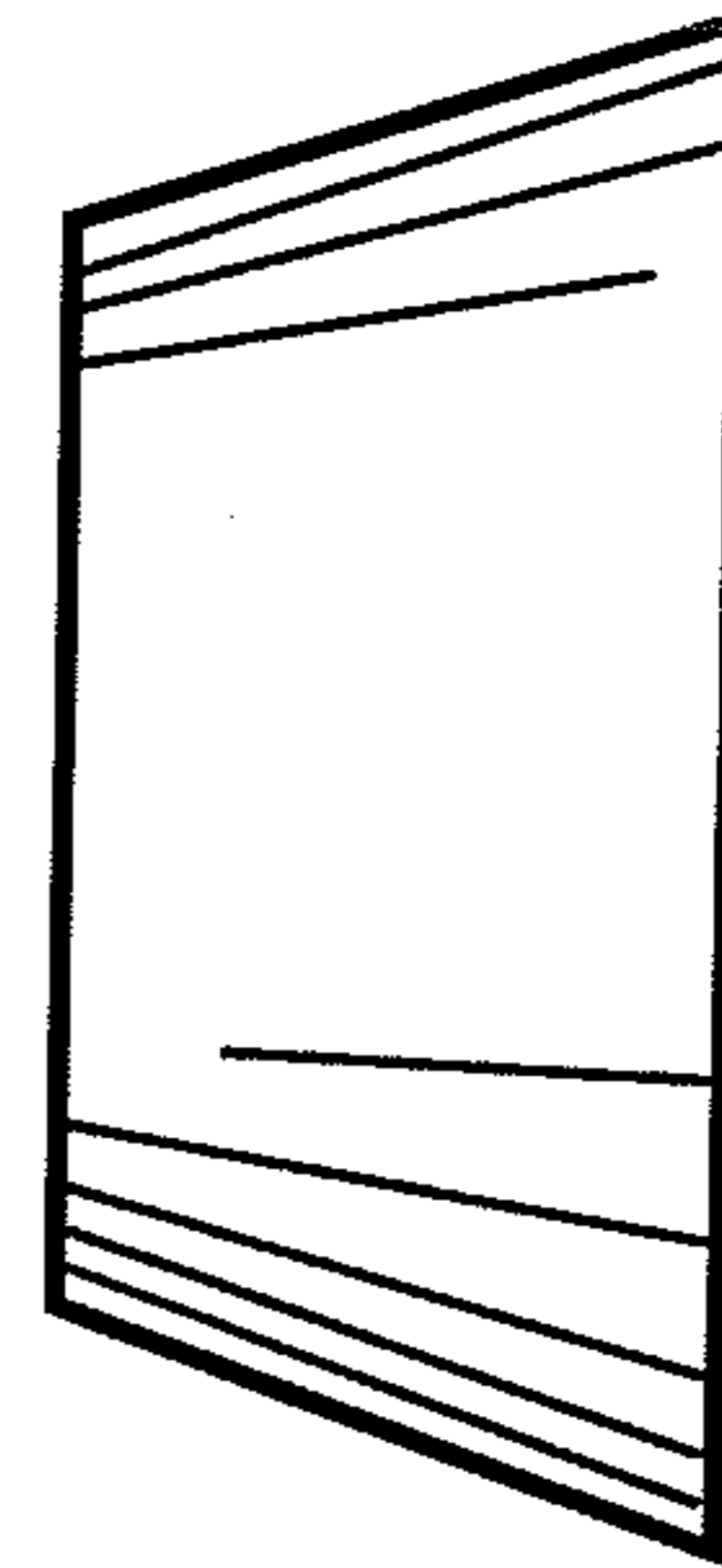


FIG. 2

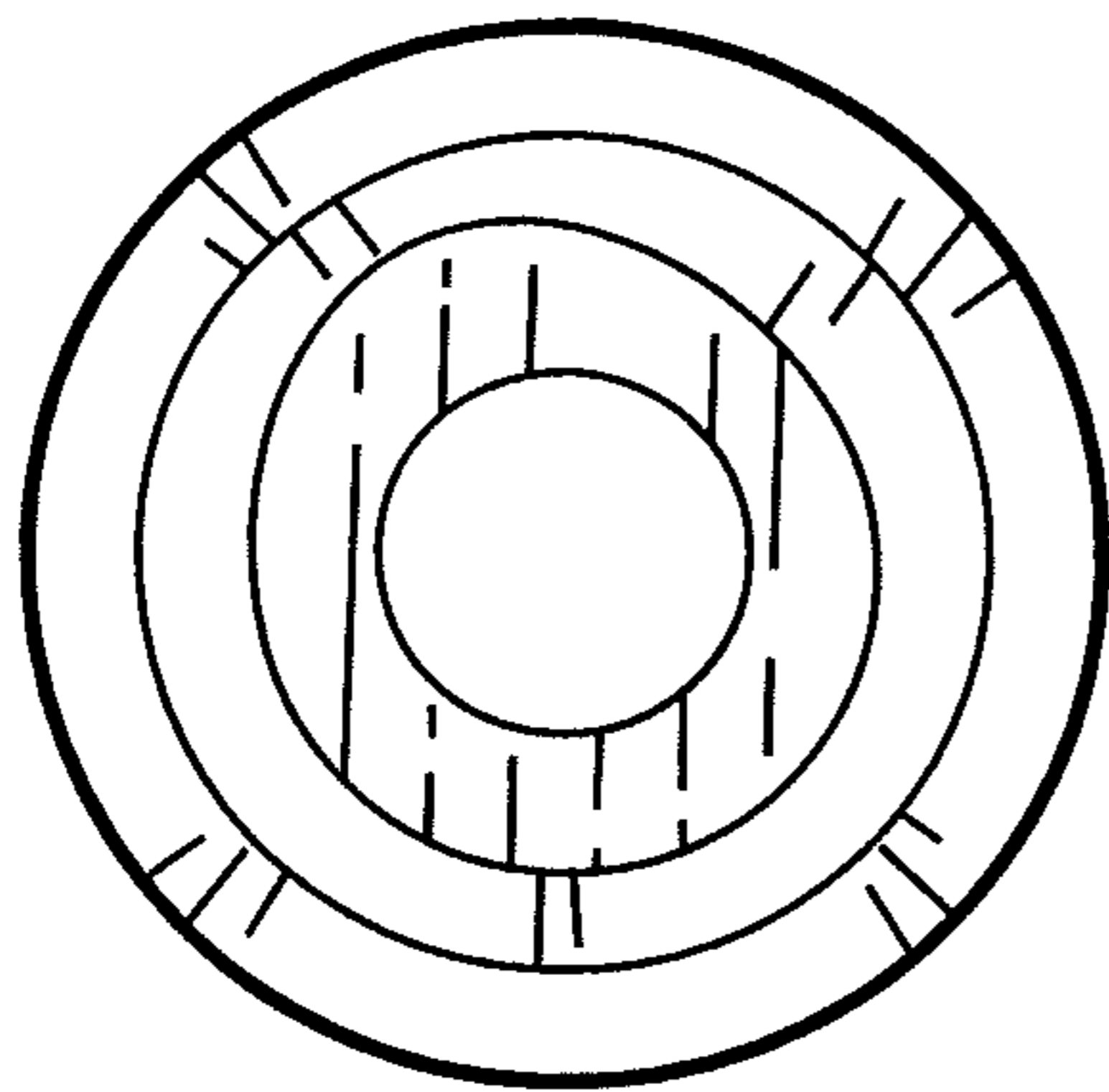


FIG. 3

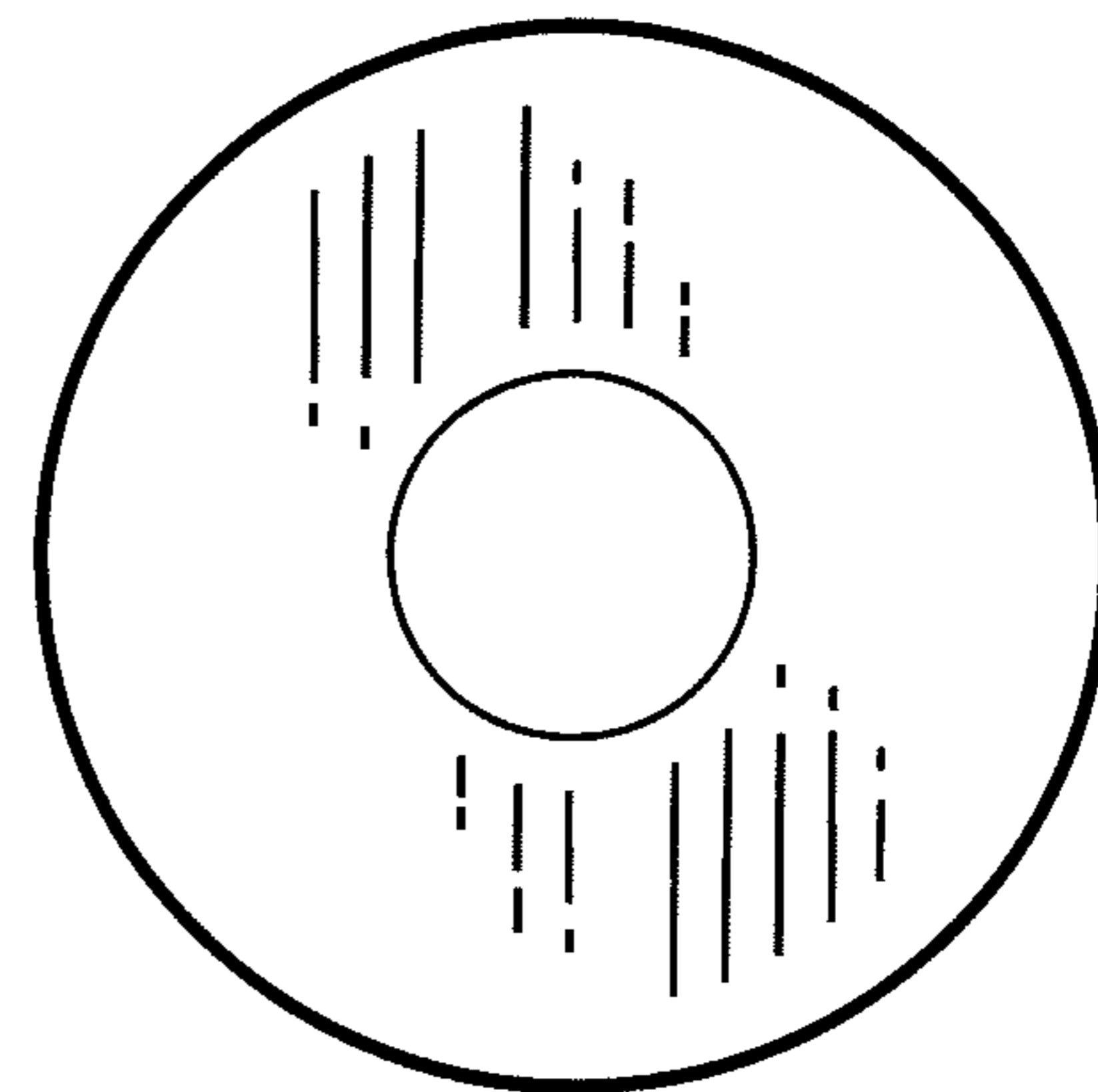


FIG. 4