



US00D774385S

(12) **United States Design Patent**  
**Kaiser**

(10) **Patent No.:** **US D774,385 S**

(45) **Date of Patent:** **\*\* Dec. 20, 2016**

(54) **FASTENER**

(71) Applicant: **Erik A. Kaiser**, Mendham, NJ (US)

(72) Inventor: **Erik A. Kaiser**, Mendham, NJ (US)

(\*\*) Term: **14 Years**

(21) Appl. No.: **29/523,943**

(22) Filed: **Apr. 15, 2015**

(51) **LOC (10) Cl.** ..... **08-08**

(52) **U.S. Cl.**  
USPC ..... **D8/382**

(58) **Field of Classification Search**  
USPC .. D8/349, 354, 373, 382, 394, 499; D6/300,  
D6/301, 320, 323, 325, 326, 328, 553;  
D20/42, 43, 99  
CPC ..... A47G 1/0611; A47G 1/0638; A47G  
2001/0677; A47G 2001/0694; A47G 1/16;  
A47G 1/1606; A47G 1/1613; A47G  
1/1633; A47G 1/1686; A47G 1/21; A47G  
1/215; A47G 29/00; A47G 1/0605; G03B  
17/00; G03B 17/56  
See application file for complete search history.

(56) **References Cited**

**U.S. PATENT DOCUMENTS**

- 3,541,714 A \* 11/1970 Bruck, Jr. .... A47G 1/0638  
40/759
- D257,664 S \* 12/1980 McKee ..... D8/354
- D257,810 S \* 1/1981 Wilson ..... D6/556
- D258,638 S \* 3/1981 Yim ..... D8/394
- D261,292 S \* 10/1981 Tong ..... D21/565
- D269,064 S \* 5/1983 Ericsson ..... D8/356

- D283,872 S \* 5/1986 Clendinen ..... D8/382
- D333,085 S \* 2/1993 Thomsen ..... D8/349
- 5,195,708 A \* 3/1993 Marsh ..... A47B 96/068  
108/108
- D395,001 S \* 6/1998 Stebbins ..... D8/394
- D413,897 S \* 9/1999 Richter ..... D14/253
- D542,628 S \* 5/2007 Brassard ..... D8/354
- D628,539 S \* 12/2010 Tezak ..... D13/152
- D769,109 S \* 10/2016 Kaiser ..... D8/382
- 2015/0192155 A1 \* 7/2015 Chen ..... H04N 5/2251  
348/376

\* cited by examiner

*Primary Examiner* — Sheryl Lane

*Assistant Examiner* — Ieisha Price

(74) *Attorney, Agent, or Firm* — Steven N. Fox, Esq.

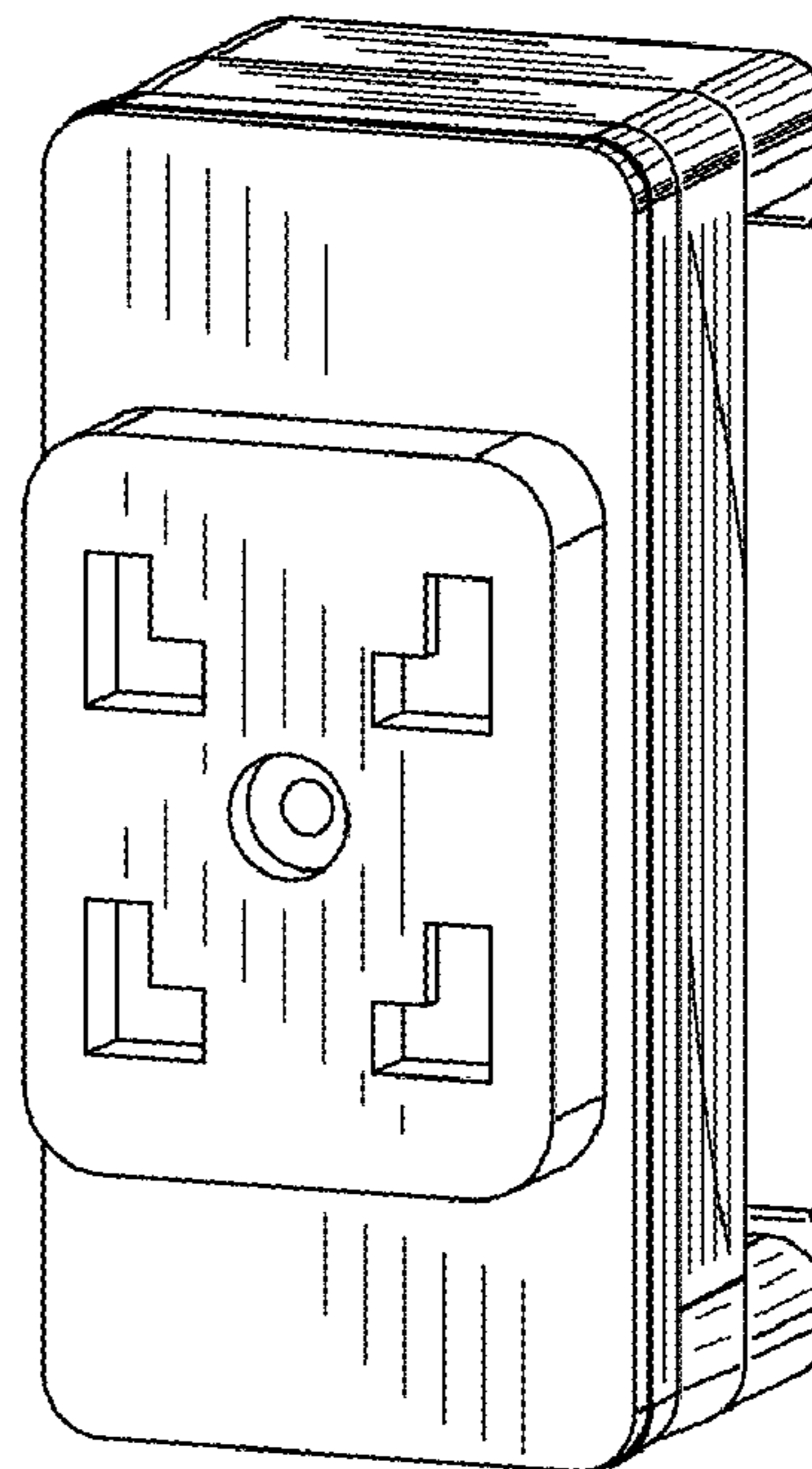
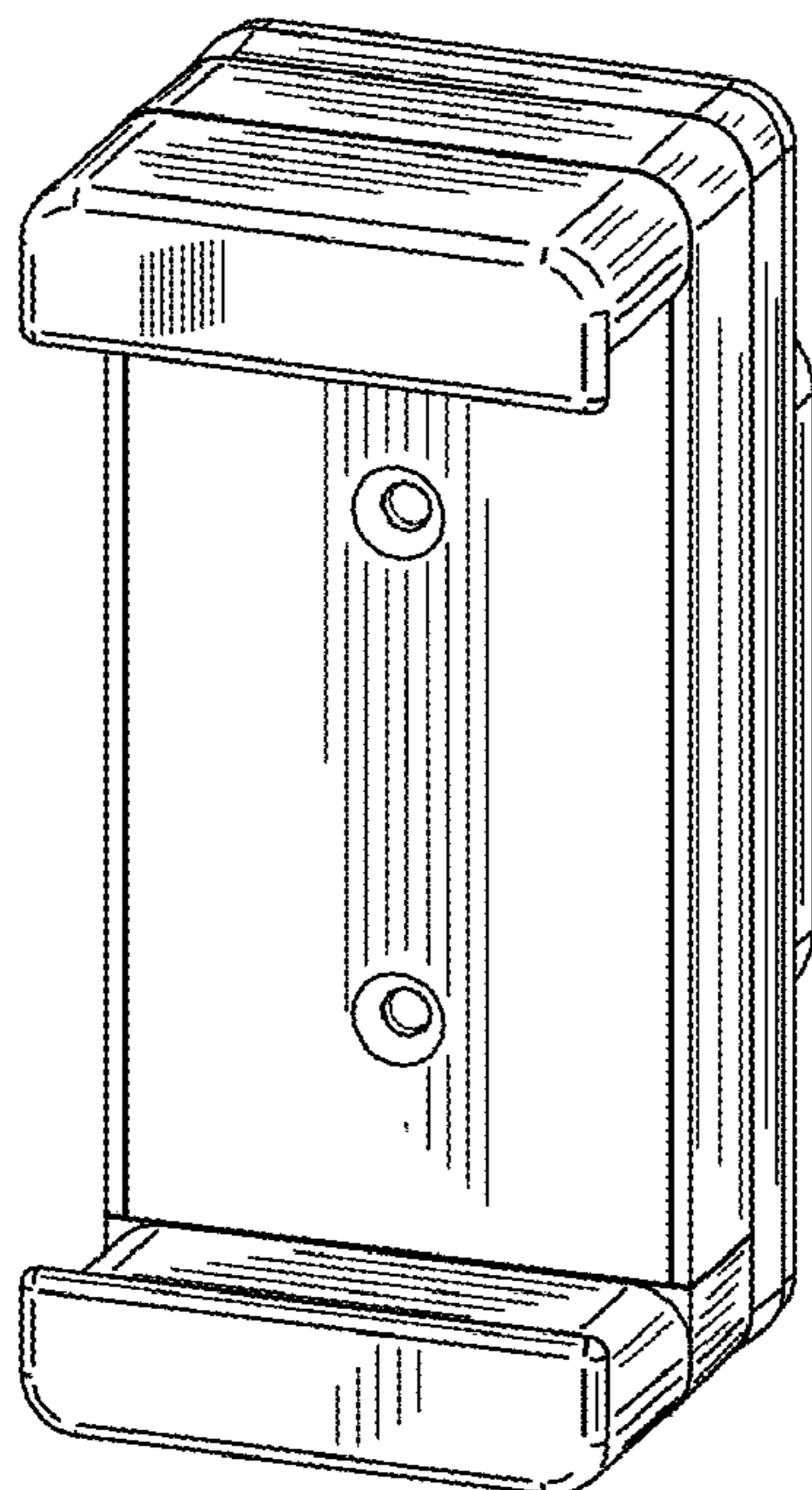
(57) **CLAIM**

The ornamental design for a fastener, as shown and described.

**DESCRIPTION**

FIG. 1 is a front perspective view of a fastener according to the present invention;  
 FIG. 2 is a rear perspective view of the fastener according to the present invention;  
 FIG. 3 is a top view thereof, the bottom view being a mirror image thereof;  
 FIG. 4 is a front view thereof;  
 FIG. 5 is a right side view thereof, the left side view being a mirror image thereof; and,  
 FIG. 6 is a rear view thereof.

**1 Claim, 3 Drawing Sheets**



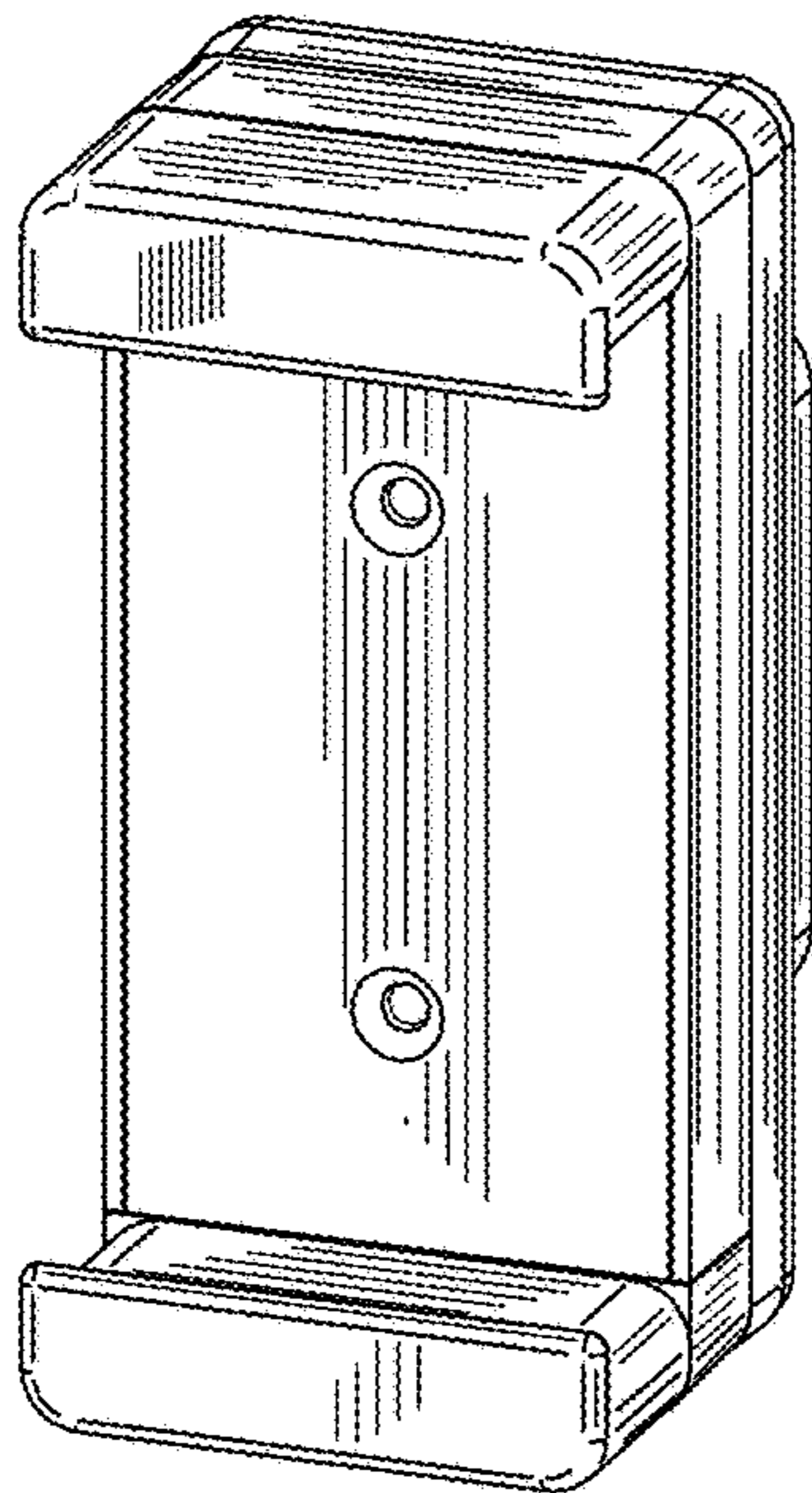


FIG. 1

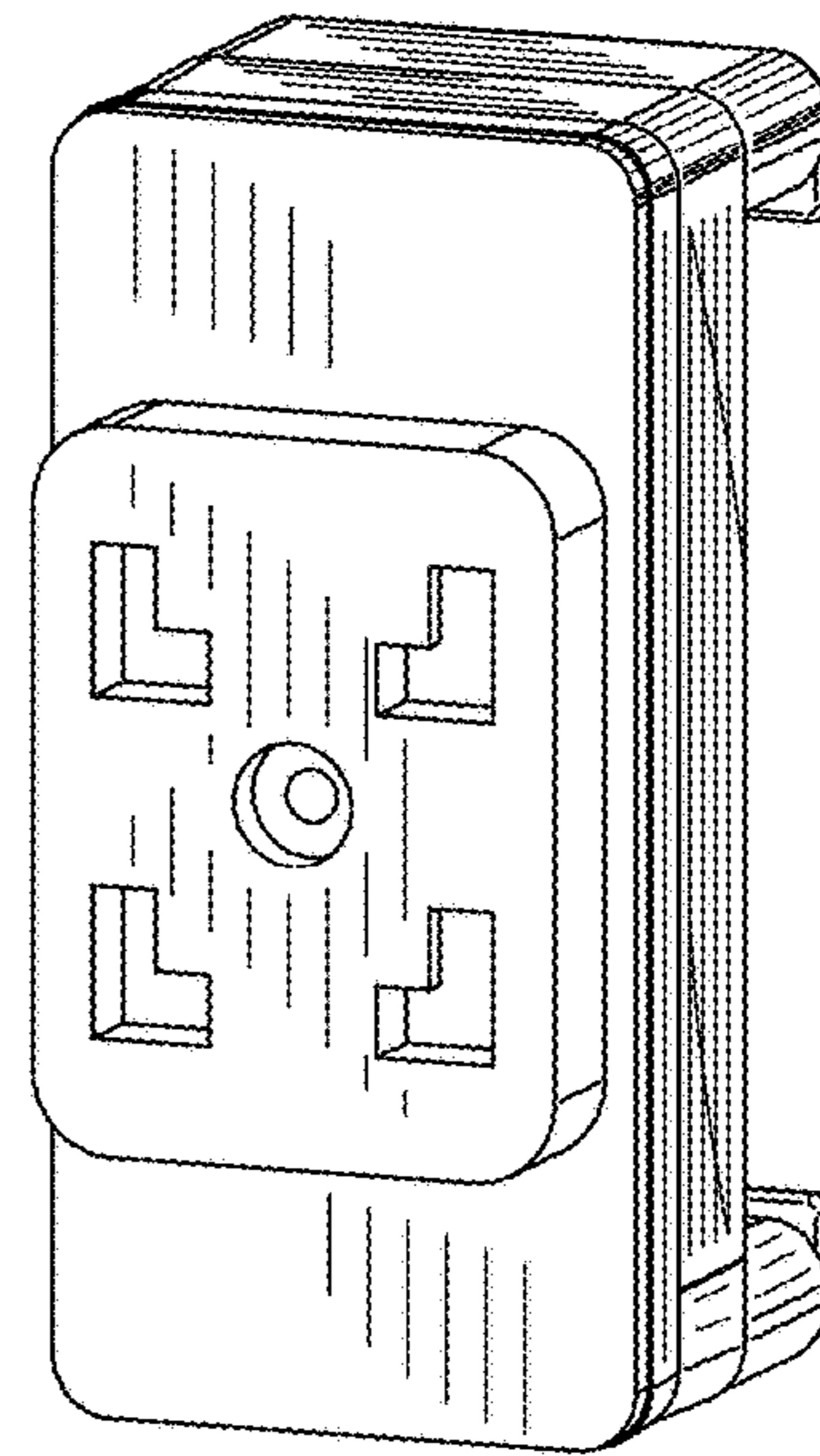


FIG. 2

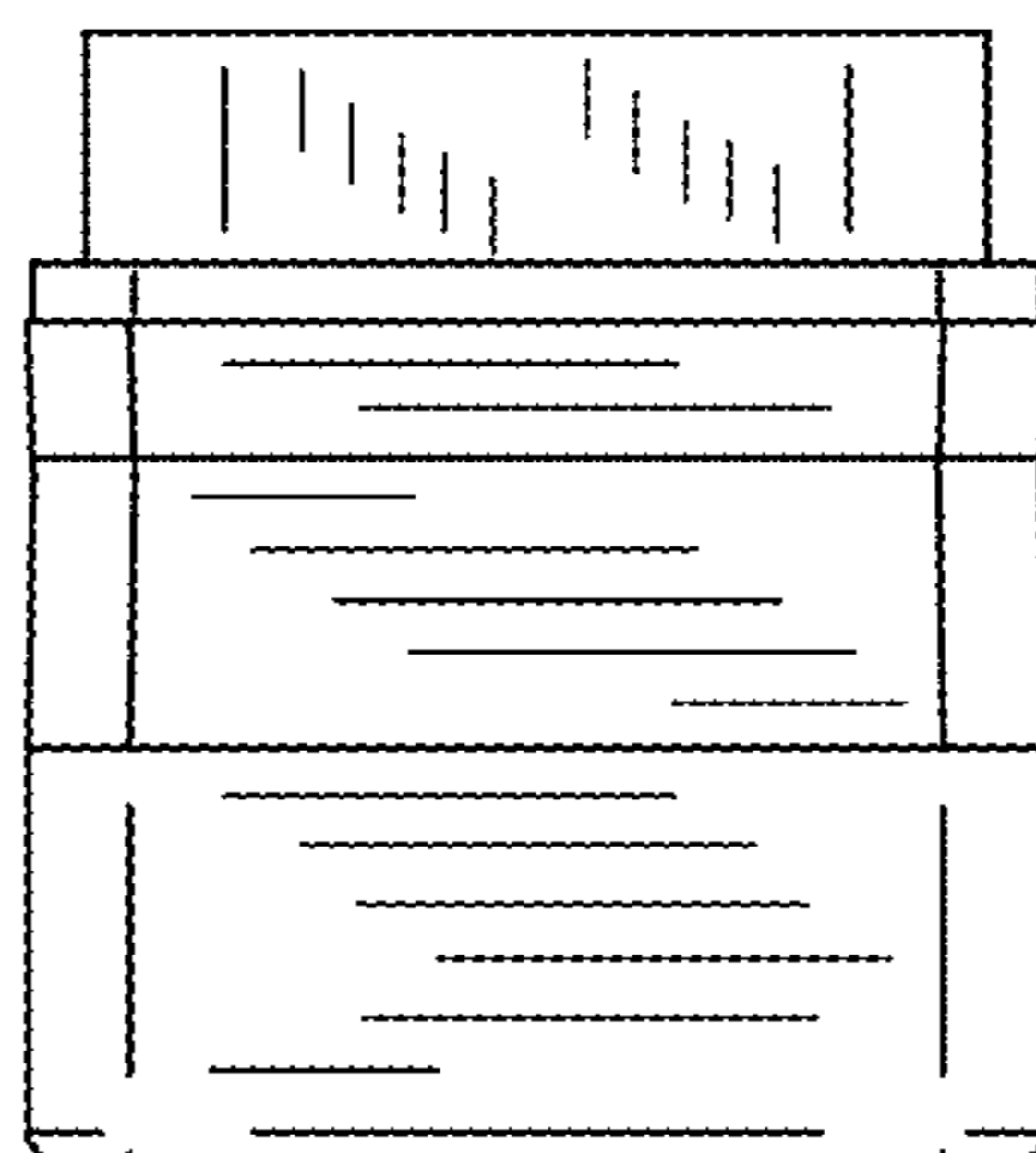


FIG. 3

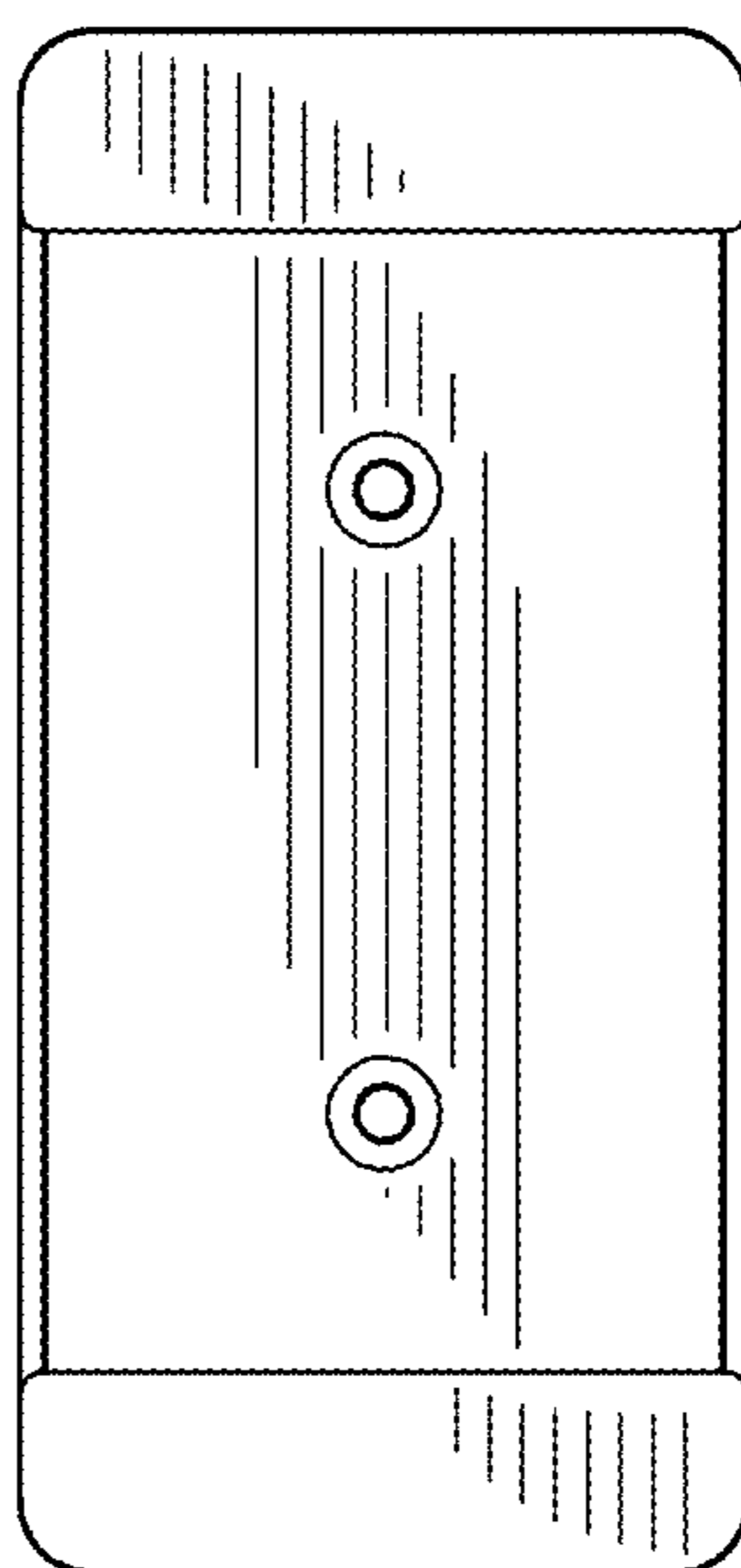


FIG. 4

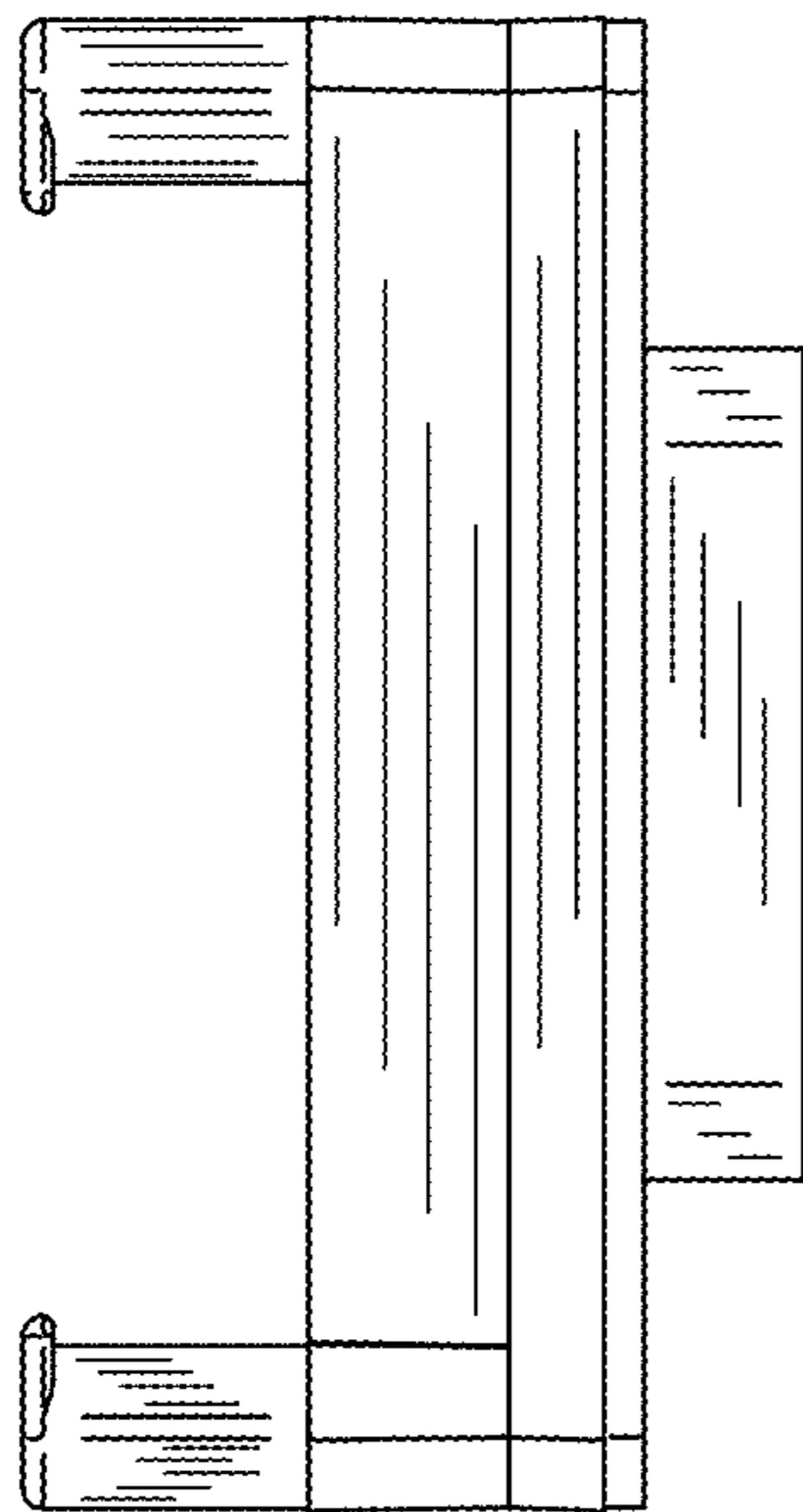


FIG. 5

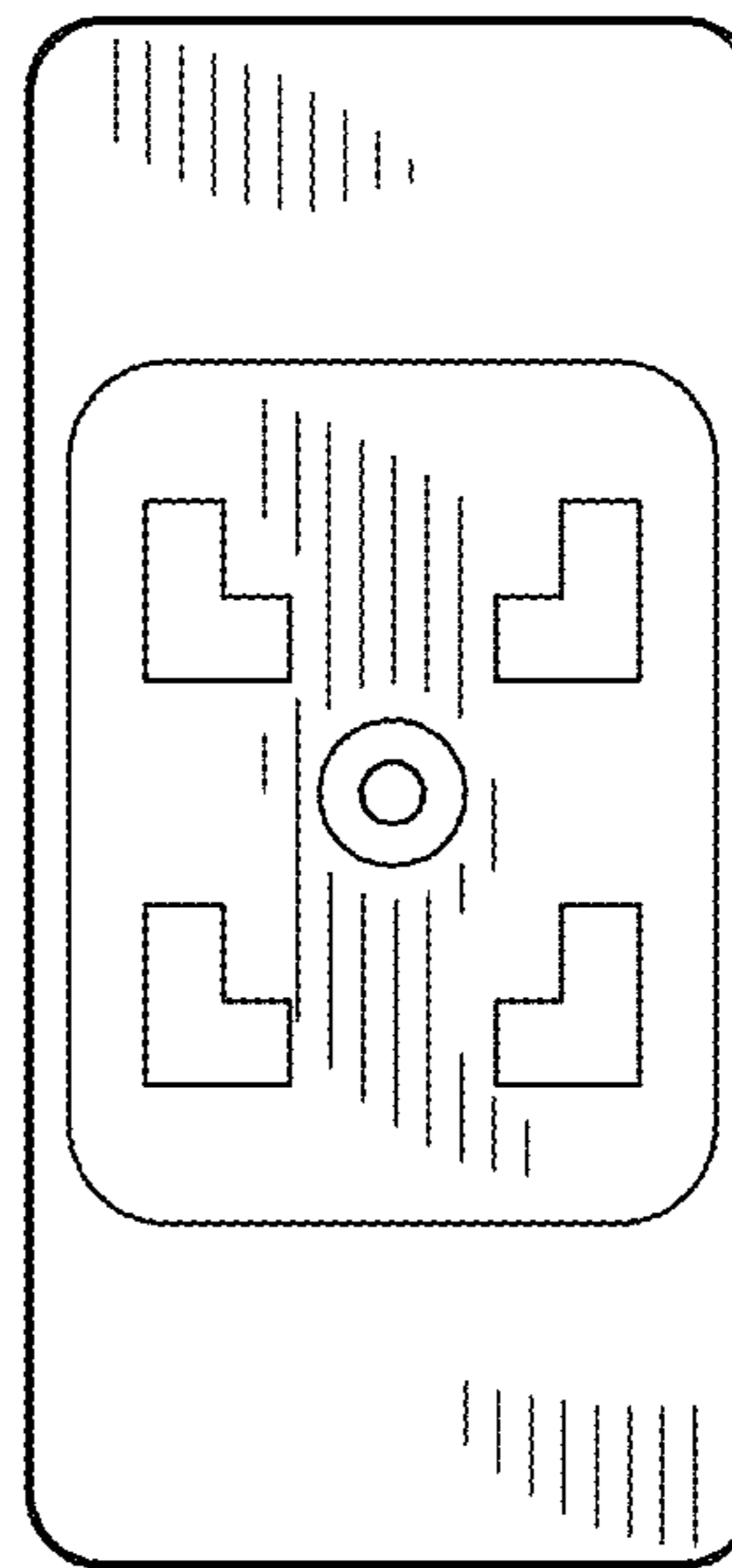


FIG. 6