



US00D774382S

(12) **United States Design Patent**
Richter

(10) **Patent No.:** **US D774,382 S**

(45) **Date of Patent:** **** Dec. 20, 2016**

(54) **HOLDER AND HOLDER SUPPORT WITH
LEVER-ACTUATED SUCTION MEMBRANE**

D709,074 S * 7/2014 Tsui D14/447
D715,790 S * 10/2014 Conomos D14/253
D750,612 S * 3/2016 Chen D14/253

(71) Applicant: **Harald Richter**, Engelbrand (DE)

* cited by examiner

(72) Inventor: **Harald Richter**, Engelbrand (DE)

Primary Examiner — Lakiya Rogers

(**) Term: **15 Years**

Assistant Examiner — Harold Blackwell, II

(74) *Attorney, Agent, or Firm* — Klaus Bach

(21) Appl. No.: **29/530,162**

(22) Filed: **Jun. 14, 2015**

(51) **LOC (10) Cl.** **08-05**

(52) **U.S. Cl.**

USPC **D8/355**

(58) **Field of Classification Search**

USPC D14/140, 217, 224, 224.1, 229, 240,
243, D14/250–253, 299, 344, 434, 447,
451–452, D14/483, 496; D13/108;
361/679.41; 439/534; 320/116, 107;
D8/355, 363; D12/415, 418; D3/201, 218,
269, 273, 301; D11/79; 63/76

CPC F16B 47/00; F16M 13/00

See application file for complete search history.

(56) **References Cited**

U.S. PATENT DOCUMENTS

D554,136 S * 10/2007 Richter D14/251
D554,137 S * 10/2007 Richter D14/251
D588,903 S * 3/2009 Carnevali D8/355
D590,834 S * 4/2009 Richter D14/253
D599,355 S * 9/2009 Richter D14/253
D602,024 S * 10/2009 Richter D14/253
D602,025 S * 10/2009 Richter D14/253
D603,322 S * 11/2009 Nicieja D12/415
D619,586 S * 7/2010 Richter D14/253
D619,587 S * 7/2010 Richter D14/253
D638,008 S * 5/2011 Richter D14/253
D655,284 S * 3/2012 Richter D14/253
D681,028 S * 4/2013 Richter D14/253
D681,029 S * 4/2013 Richter D14/253

(57) **CLAIM**

The ornamental design for a holder and holder support with lever-actuated suction membrane, as shown and described.

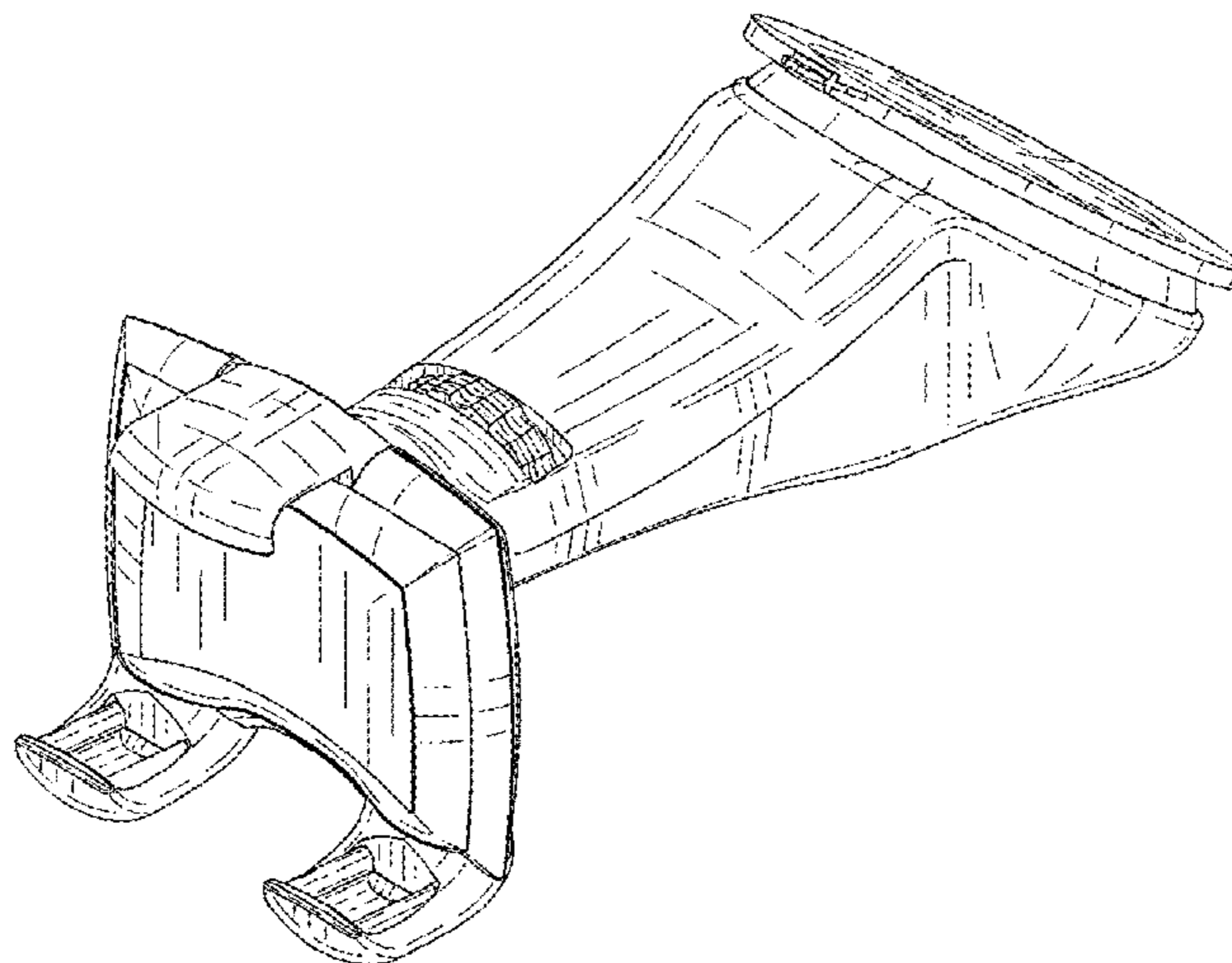
DESCRIPTION

FIG. 1 is a perspective view of an apparatus holder;
FIG. 2 is a right side view of the apparatus holder shown in FIG. 1,
FIG. 3 is a left side view of the apparatus holder shown in FIG. 2,
FIG. 4 is a front view of the apparatus holder shown in FIG. 1,
FIG. 5 is a rear view of the apparatus holder shown in FIG. 1,
FIG. 6 is a top view of the apparatus holder shown in FIG. 1; and,
FIG. 7 is a bottom view of the apparatus holder shown in FIG. 1.

In the apparatus holder and apparatus holder support with lever-actuated suction membrane the lever mounted on the arm (FIGS. 3, 2 and 7) is pivoted for actuating the suction membrane to firmly engage the apparatus holder with a smooth surface. The apparatus holder is used for holding an apparatus such as cell phone, a GPS or a tablet.

In FIG. 5, the features shown by dashed lines are not part of the claimed design and in FIG. 7, the shape of the center part opening is undefined and also not part of the claimed design.

1 Claim, 7 Drawing Sheets



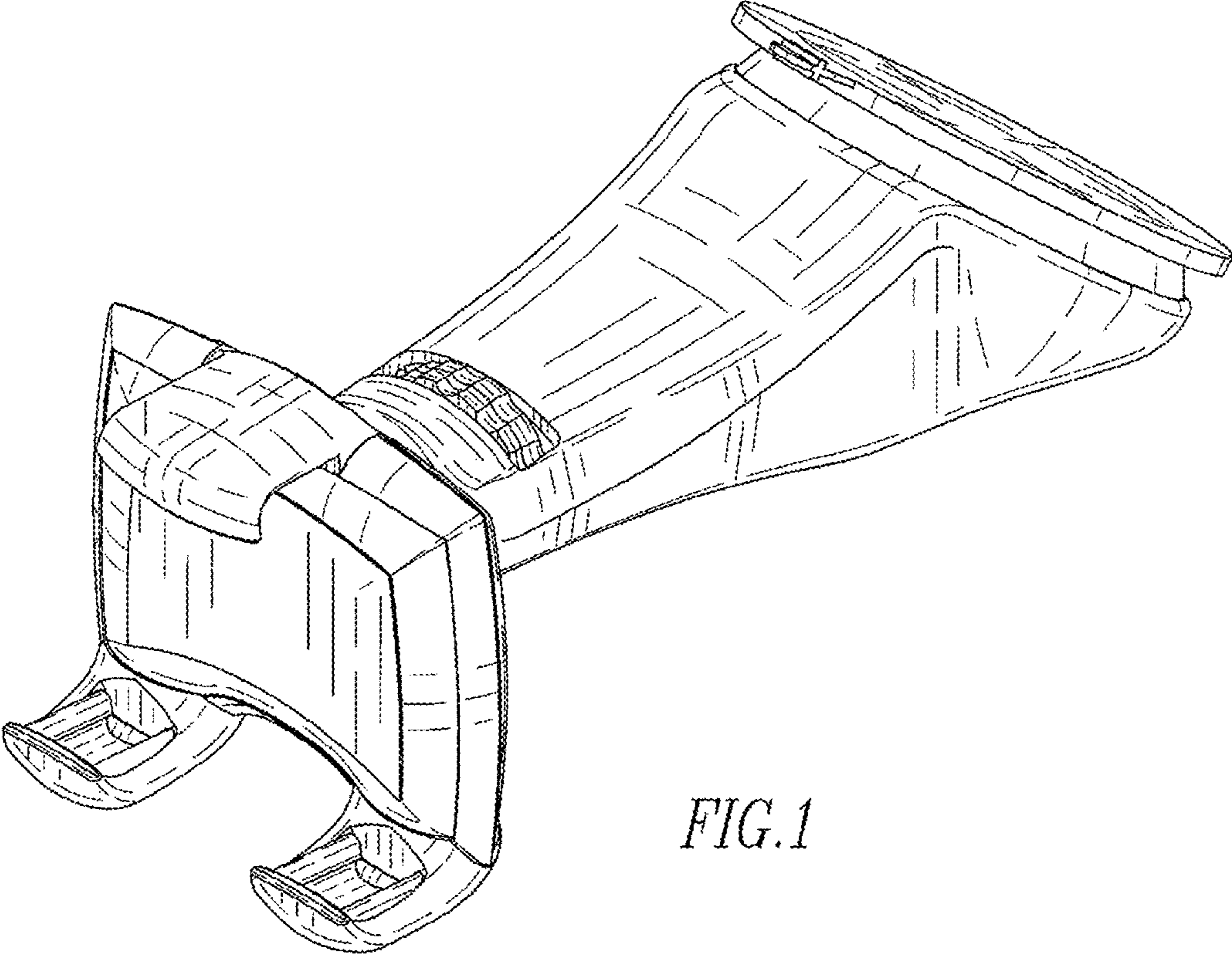


FIG. 1

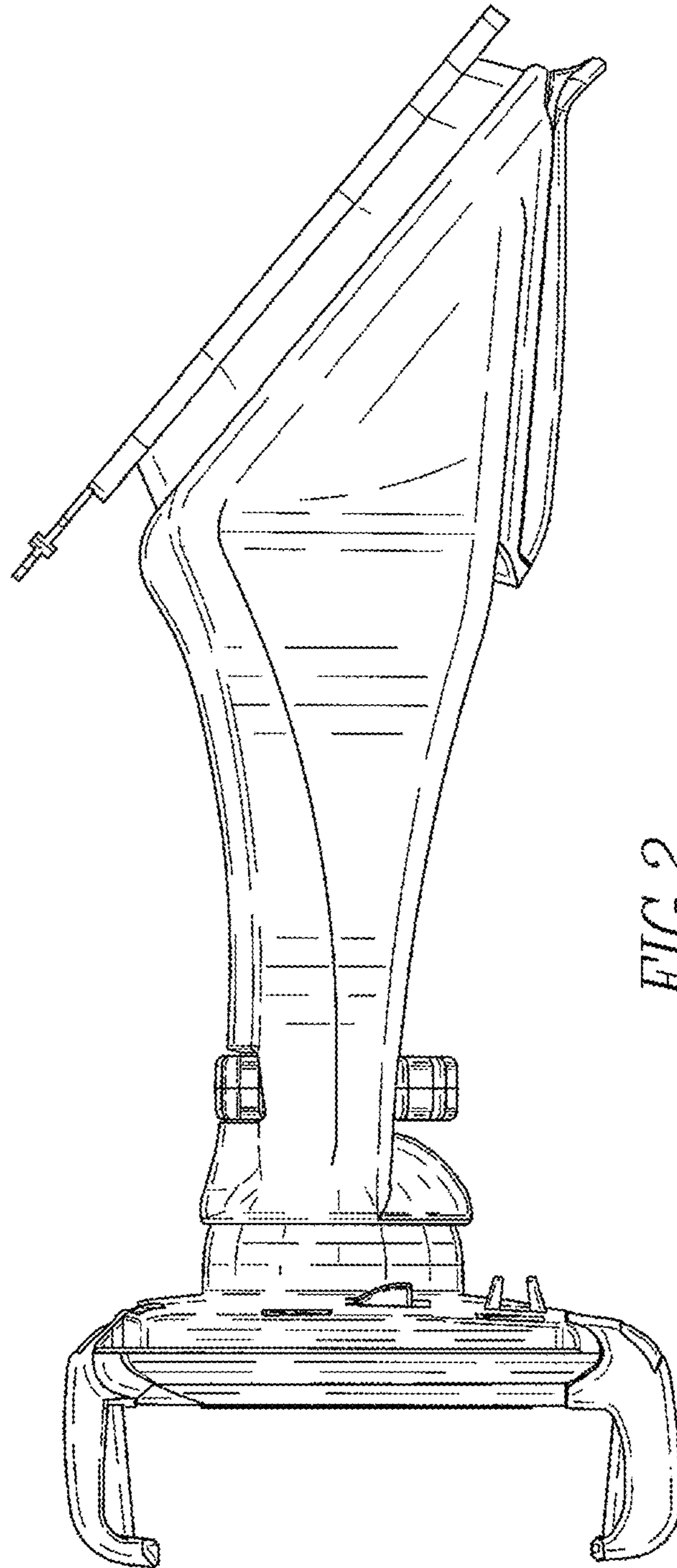


FIG. 2

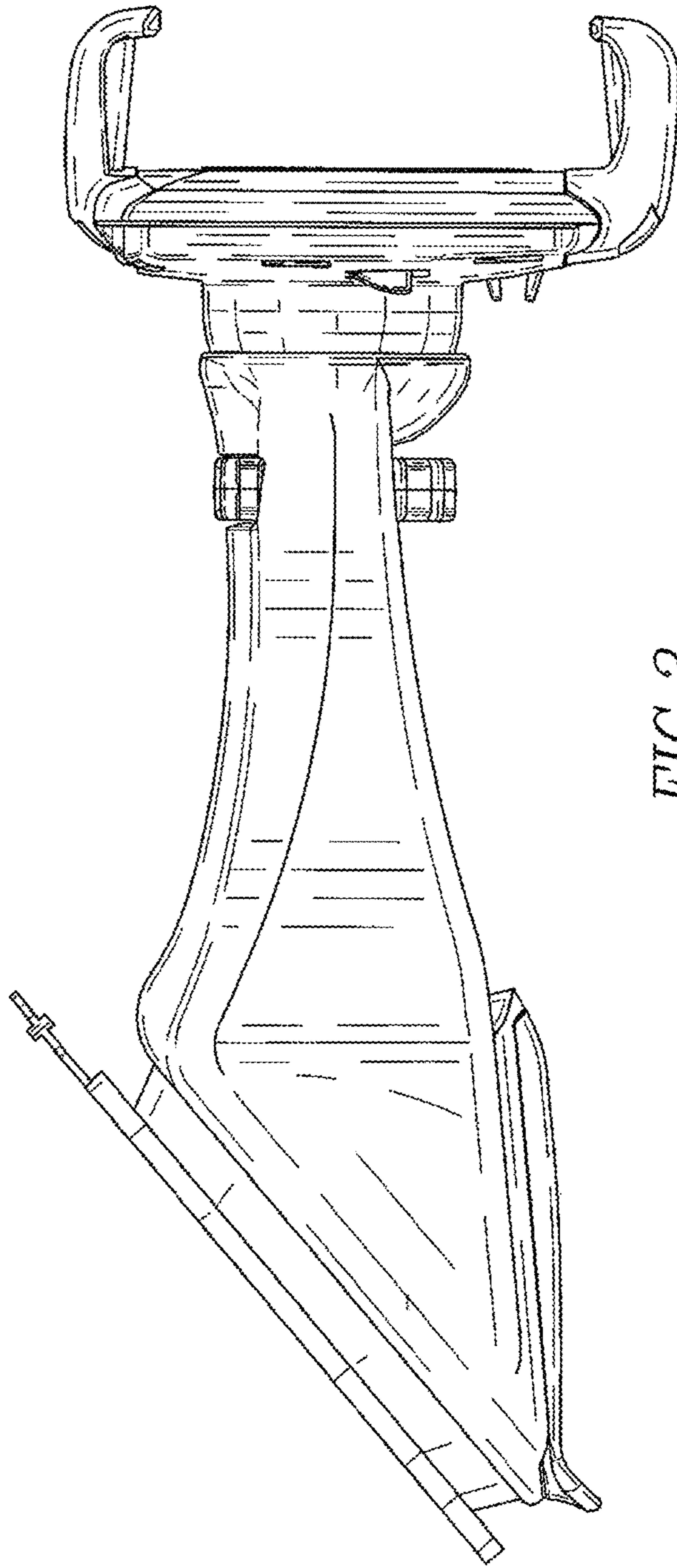


FIG. 3

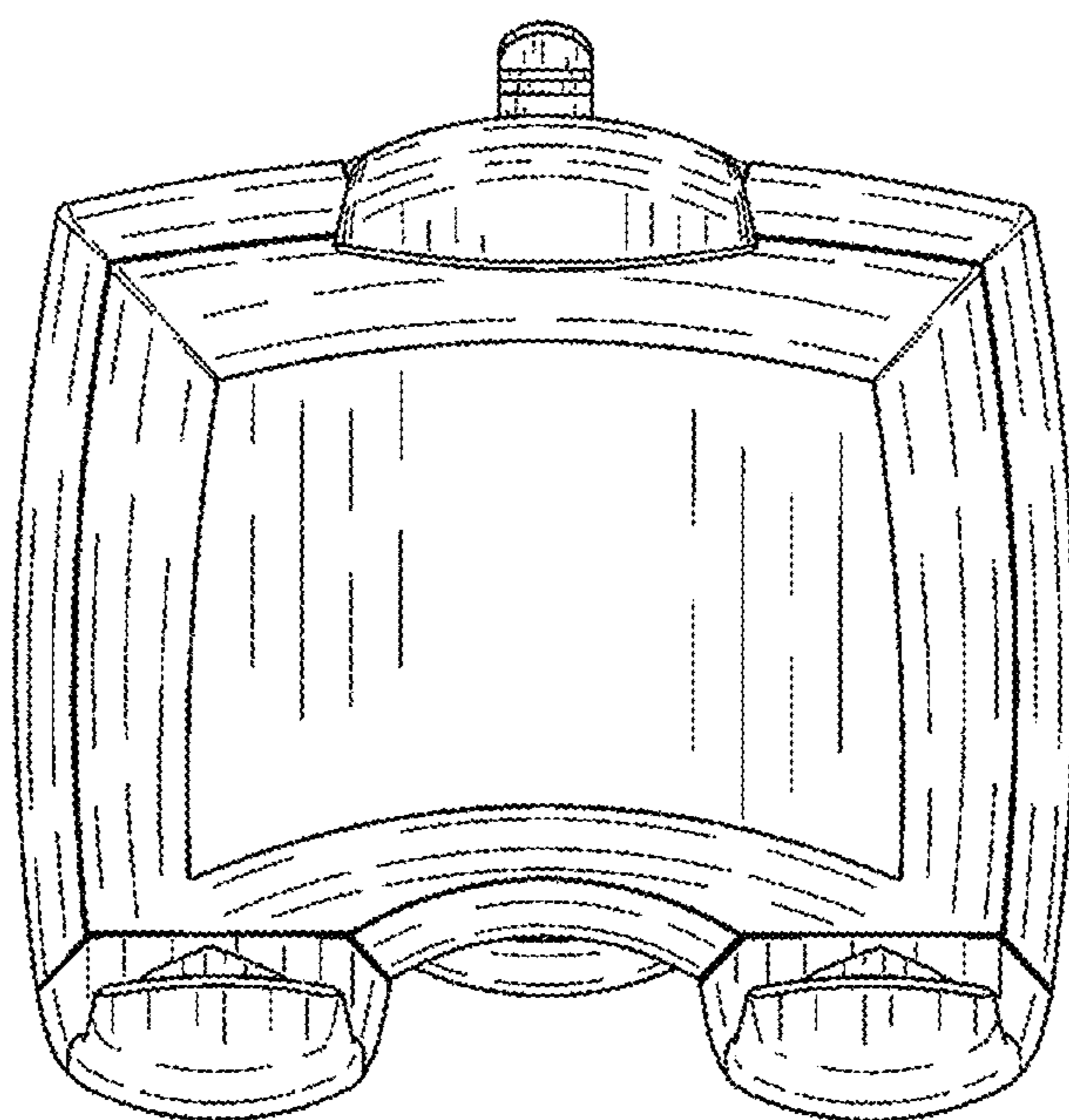


FIG. 4

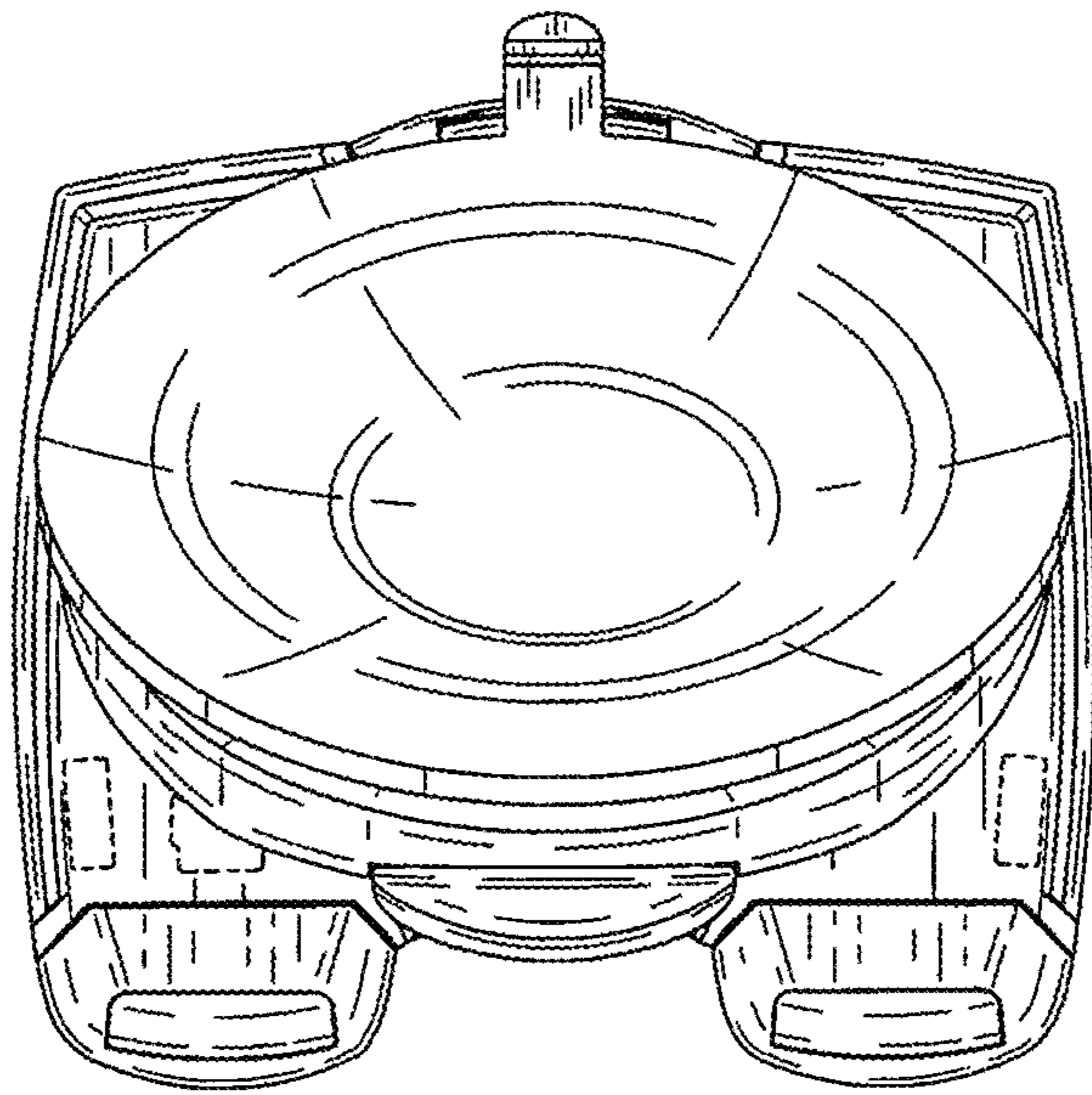


FIG. 5

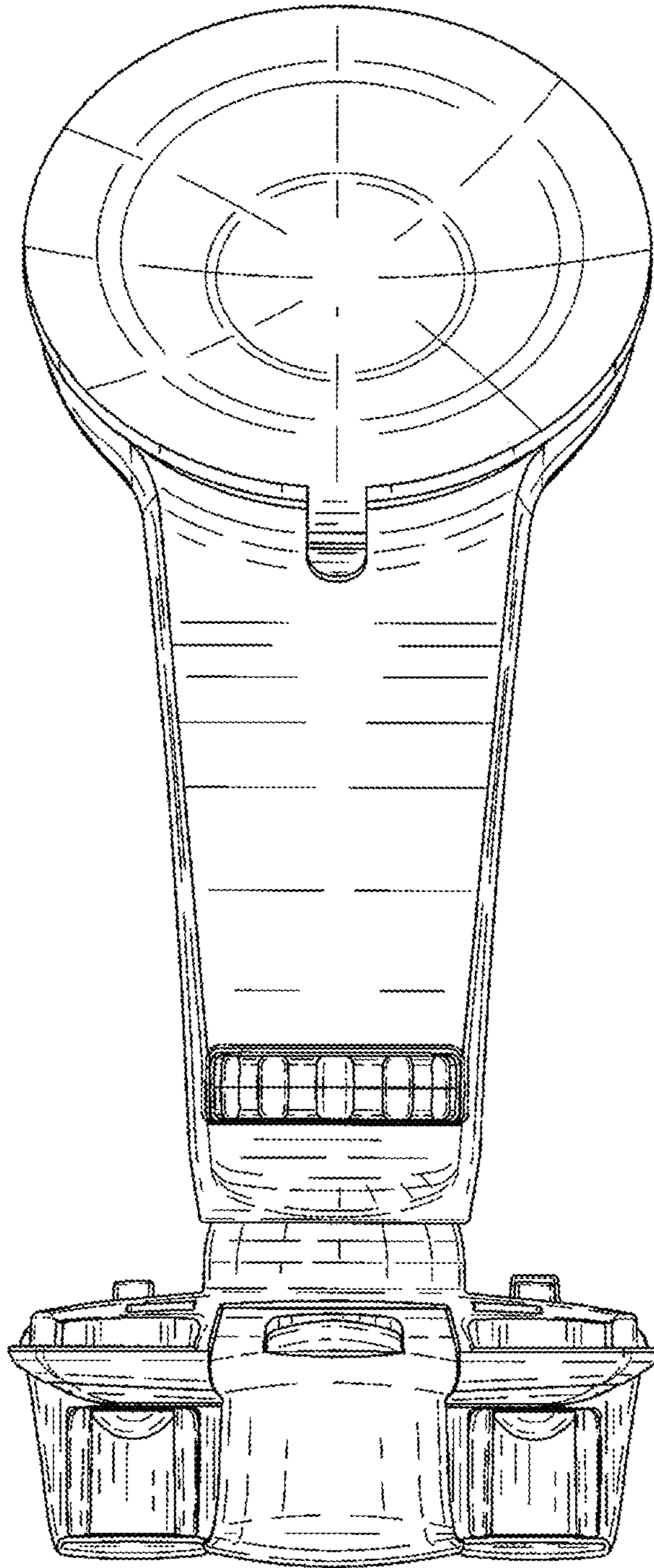


FIG. 6

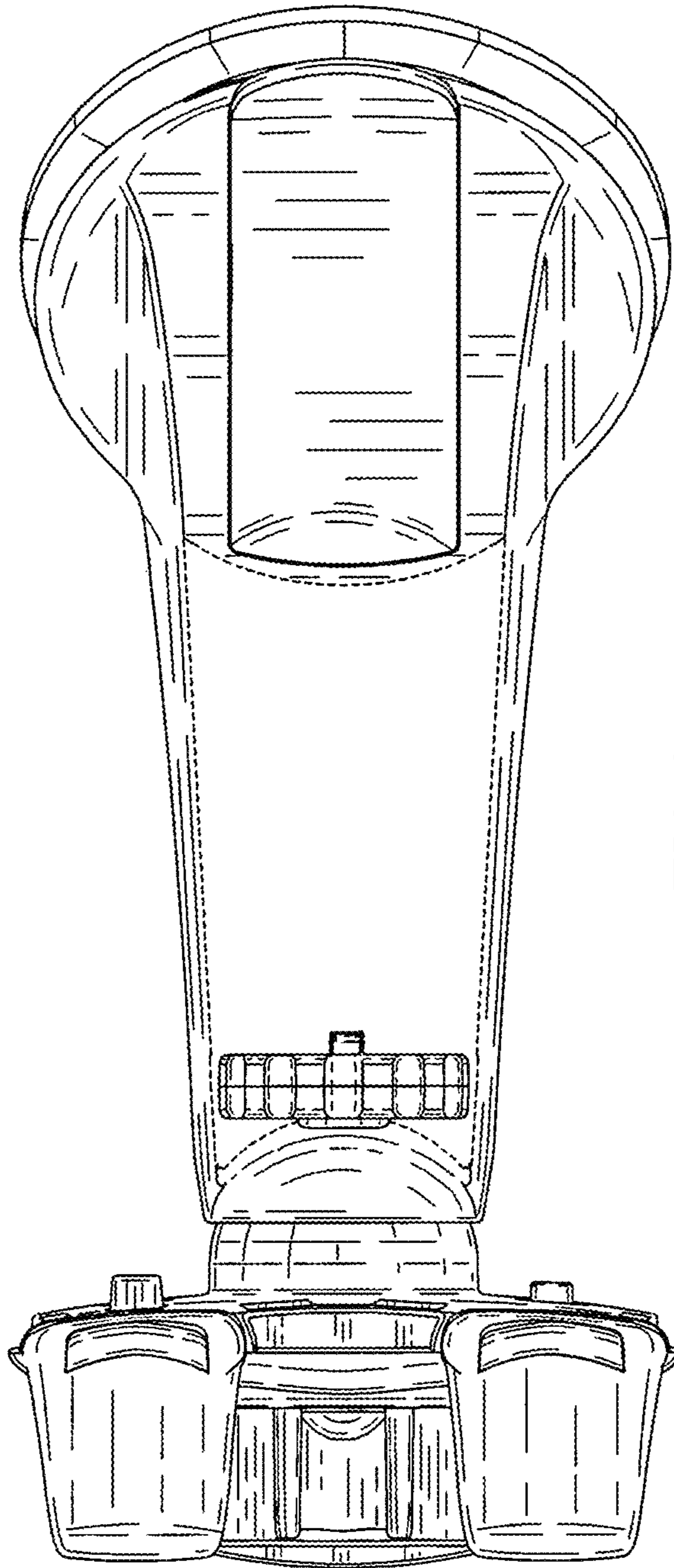


FIG. 7