



US00D774380S

(12) **United States Design Patent** (10) **Patent No.:** **US D774,380 S**
Apter et al. (45) **Date of Patent:** **** Dec. 20, 2016**

(54) **MOUNTING BRACKET SET**
(71) Applicants: **Devorah Apter**, Spring Valley, NY
(US); **Joseph Apter**, Spring Valley, NY
(US)
(72) Inventors: **Devorah Apter**, Spring Valley, NY
(US); **Joseph Apter**, Spring Valley, NY
(US)

(**) Term: **14 Years**
(21) Appl. No.: **29/524,699**

(22) Filed: **Apr. 22, 2015**
(51) **LOC (10) Cl.** **08-08**
(52) **U.S. Cl.**
USPC **D8/349**
(58) **Field of Classification Search**
USPC D8/349, 354; D12/223; D14/451, 452,
D14/217; 248/278.1, 284.1, 274.4, 200,
248/300, 534, 678
CPC B60Q 1/302; B60Q 1/30; B60R 9/058;
B60R 9/00; B60R 9/055; H01R 13/639;
H01R 13/629
See application file for complete search history.

(56) **References Cited**

U.S. PATENT DOCUMENTS

287,655	A	10/1883	French	
337,604	A	3/1886	McKelvey	
394,252	A	12/1888	Davis	
2,460,505	A	2/1949	Jahoda	
D160,669	S *	10/1950	Smith	D8/394
D257,122	S *	9/1980	Price	D12/114
D268,494	S *	4/1983	Cyrell	D14/224
4,805,784	A	2/1989	Solheim et al.	
5,138,803	A	8/1992	Grossen	
D333,085	S *	2/1993	Thomsen	D8/349
5,301,823	A *	4/1994	Kingery	A47F 5/0876 211/175

D359,224	S *	6/1995	Airey	D8/349
5,429,252	A	7/1995	Liu	
D361,671	S *	8/1995	Sharpe	D6/323
D398,451	S *	9/1998	Sharpe	D6/323
6,142,436	A	11/2000	Thurston et al.	
D454,828	S *	3/2002	Alder	D12/223
6,439,530	B1 *	8/2002	Schoenfish	B60R 11/02 248/346.06
6,840,487	B2 *	1/2005	Carnevali	A47B 23/002 248/346.06
6,945,414	B1 *	9/2005	Stevens	A47F 5/0846 211/183
D571,278	S *	6/2008	Carnevali	D12/223
D579,319	S *	10/2008	Short	D8/354
D588,902	S *	3/2009	Carnevali	D8/354

(Continued)

OTHER PUBLICATIONS

<http://www.whitechapel-ltd.com/product/274BF5.html> Accessed
Feb. 25, 2015.

(Continued)

Primary Examiner — Mark Goodwin
(74) *Attorney, Agent, or Firm* — Robert C. Montgomery;
Montgomery Patent & Design, LP

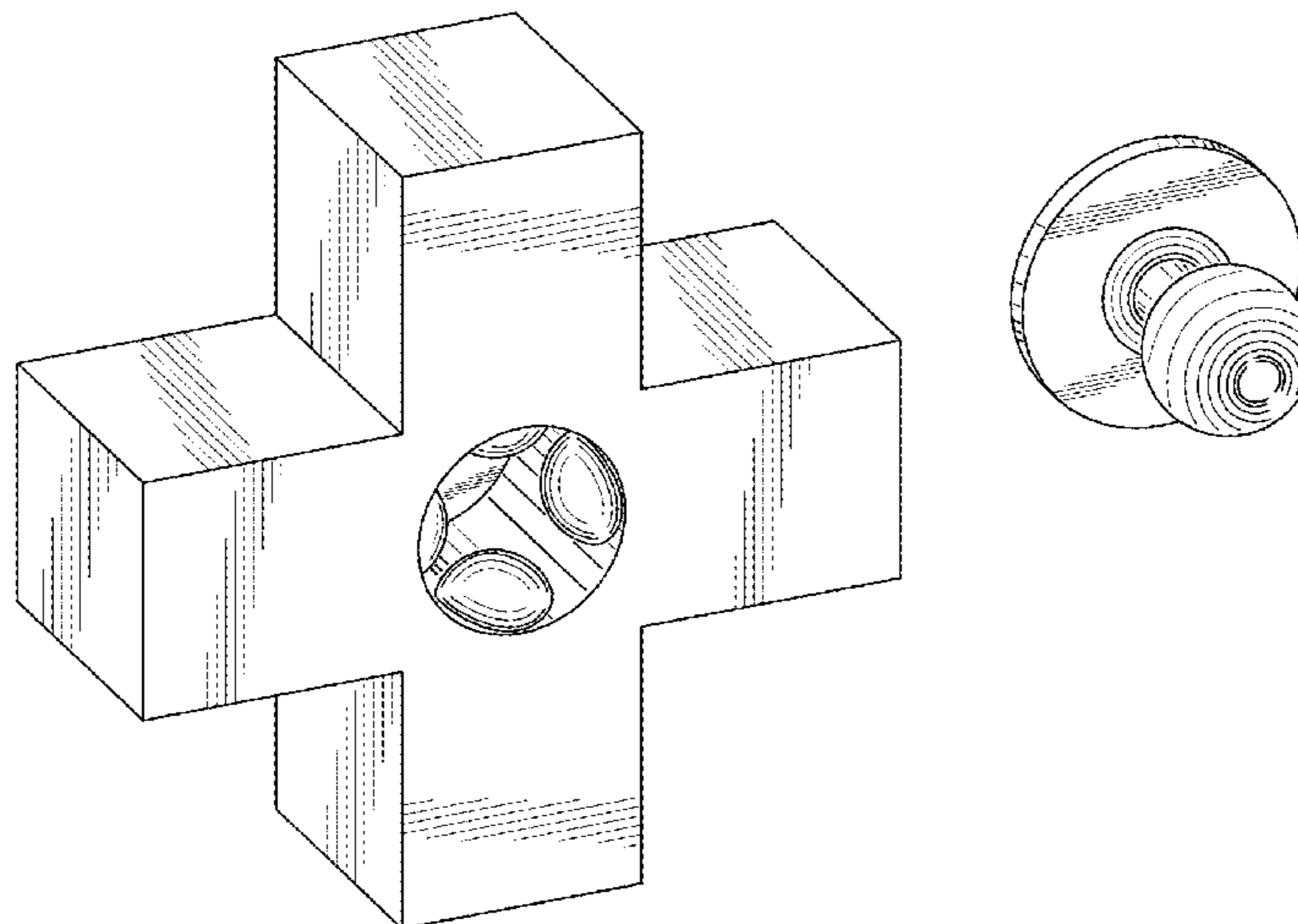
(57) **CLAIM**

The ornamental design for a mounting bracket set, as shown
and described.

DESCRIPTION

FIG. 1 is a perspective front view of the mounting bracket
set, showing our new design;
FIG. 2 is a front side view thereof;
FIG. 3 is a back side view thereof;
FIG. 4 is a left side view with the right side view being a
mirror image thereof; and,
FIG. 5 is a top side view with the bottom side view being a
mirror image thereof.

1 Claim, 5 Drawing Sheets



(56)

References Cited

U.S. PATENT DOCUMENTS

7,669,443 B2 * 3/2010 Varner E05B 73/00
 109/51
 D615,847 S * 5/2010 Tezak D8/349
 D622,131 S * 8/2010 Tezak D8/349
 7,891,617 B2 * 2/2011 Tisbo A47F 5/0853
 248/220.22
 D658,040 S * 4/2012 Ghatikar D8/354
 8,177,178 B2 * 5/2012 Carnevali F16M 11/04
 24/618
 D700,834 S * 3/2014 Fievet D8/382
 D735,174 S * 7/2015 Wengreen D14/238
 D742,124 S * 11/2015 Vanderheyden D6/300
 D742,720 S * 11/2015 Perry D8/349
 D746,599 S * 1/2016 Olson D6/300
 D746,600 S * 1/2016 Olson D6/300
 9,345,343 B2 * 5/2016 Sobb A47F 5/0823
 2006/0055130 A1 3/2006 Williams, Jr.
 2014/0245592 A1 * 9/2014 Burkhart G09F 7/20
 29/525.11
 2014/0353455 A1 * 12/2014 Floyd A47G 1/24
 248/467

OTHER PUBLICATIONS

<http://www.rockler.com/keyhole-fittings-select-either-single-or-double> Accessed Feb. 25, 2015.

* cited by examiner

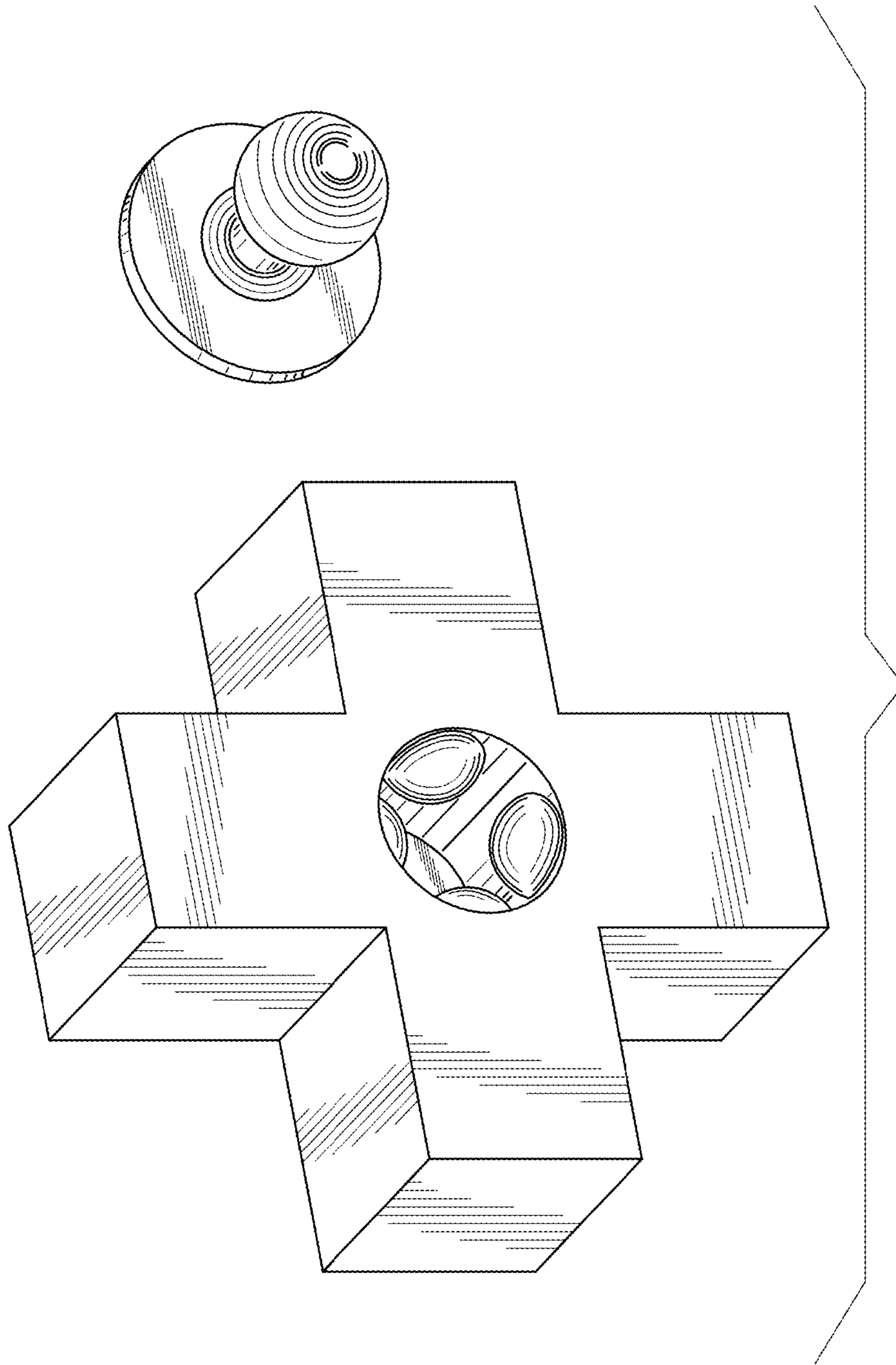


Fig. 1

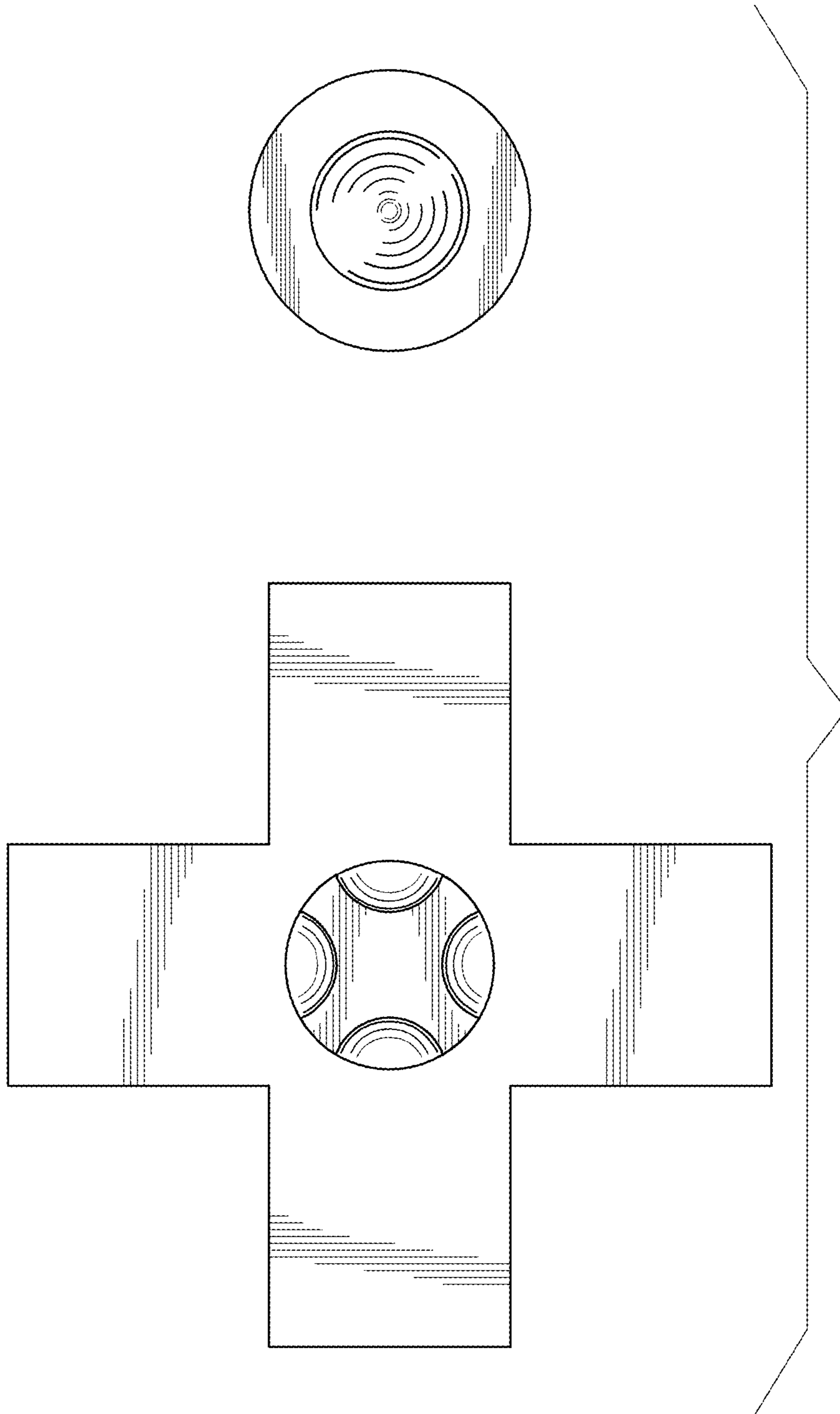


Fig. 2

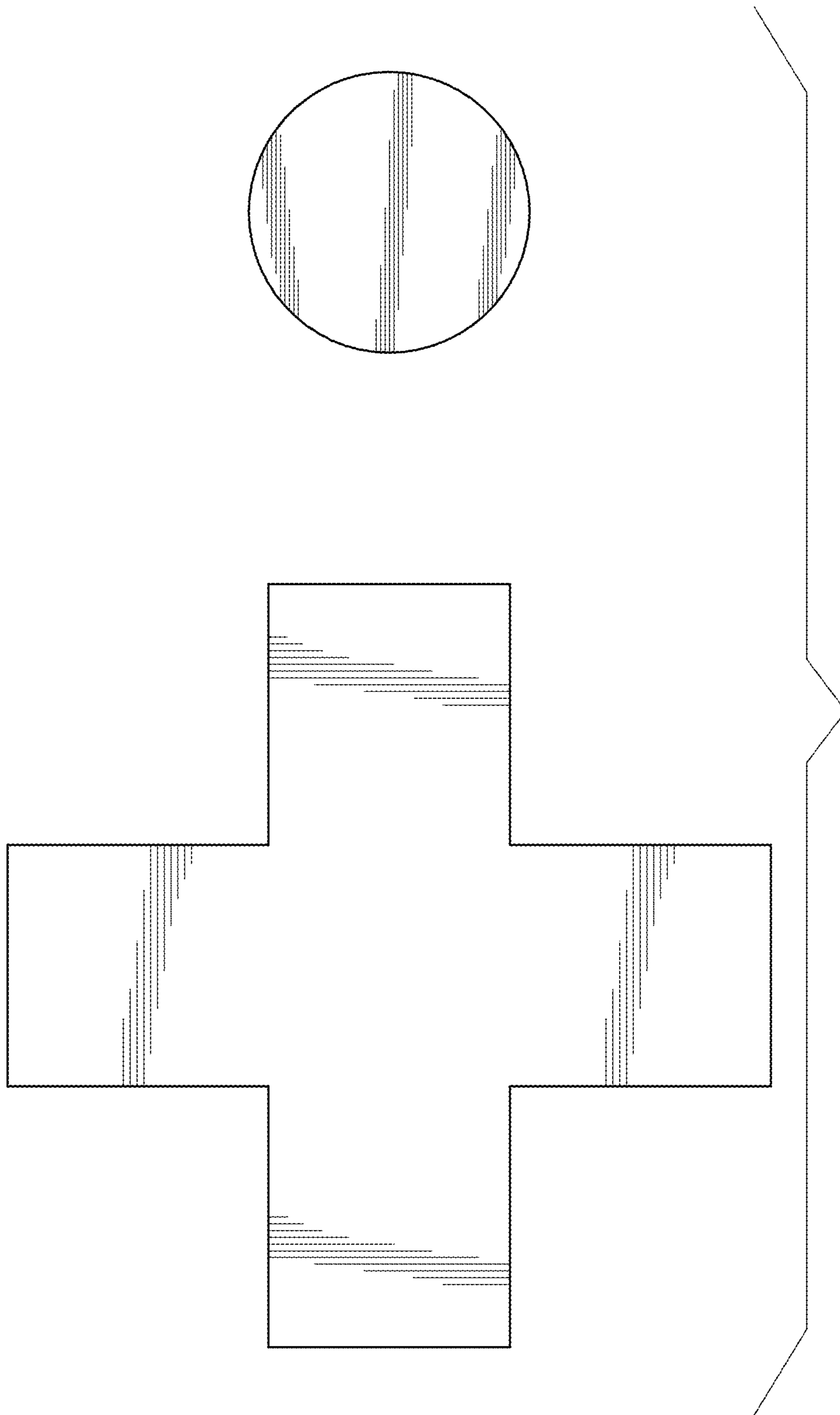


Fig. 3

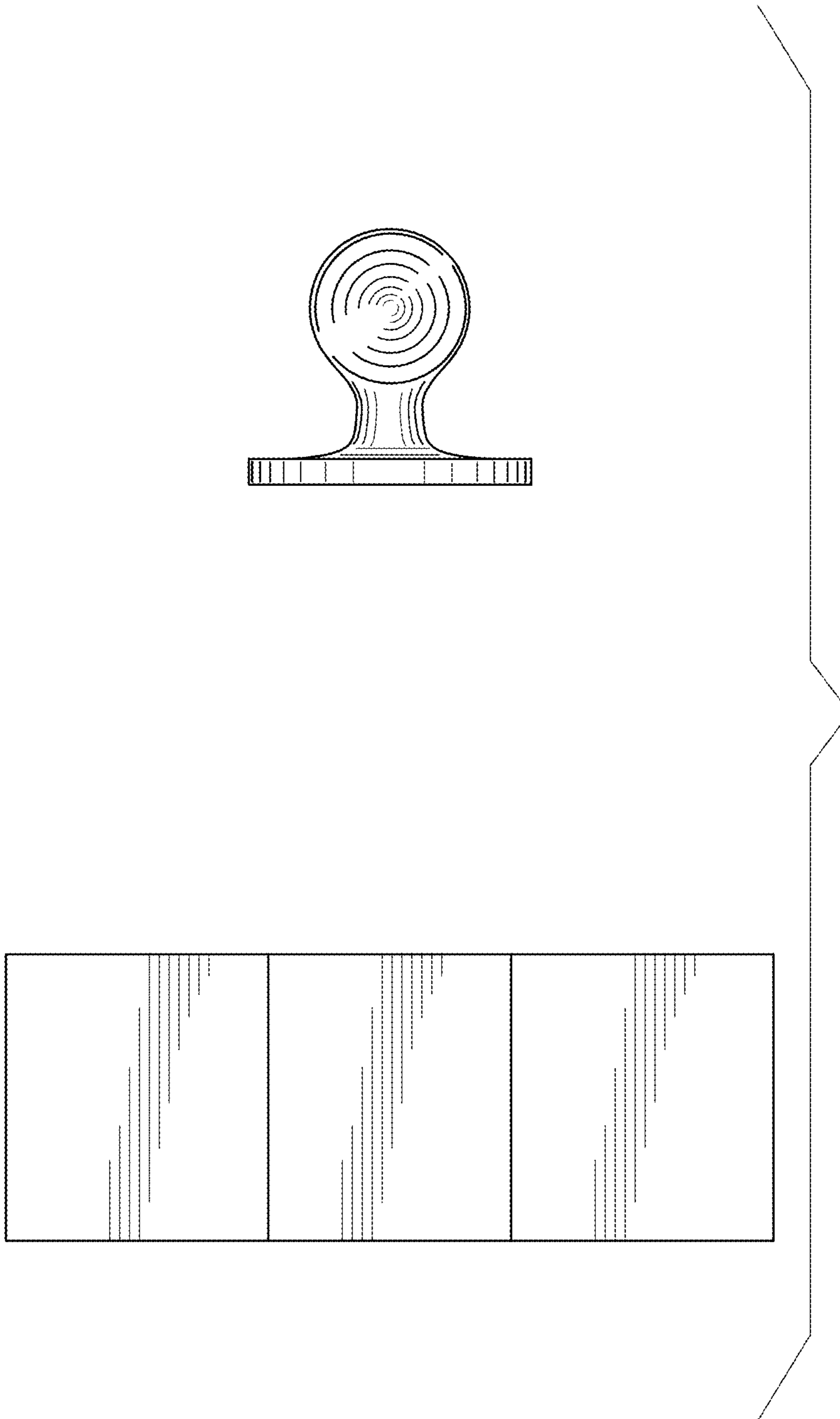


Fig. 4

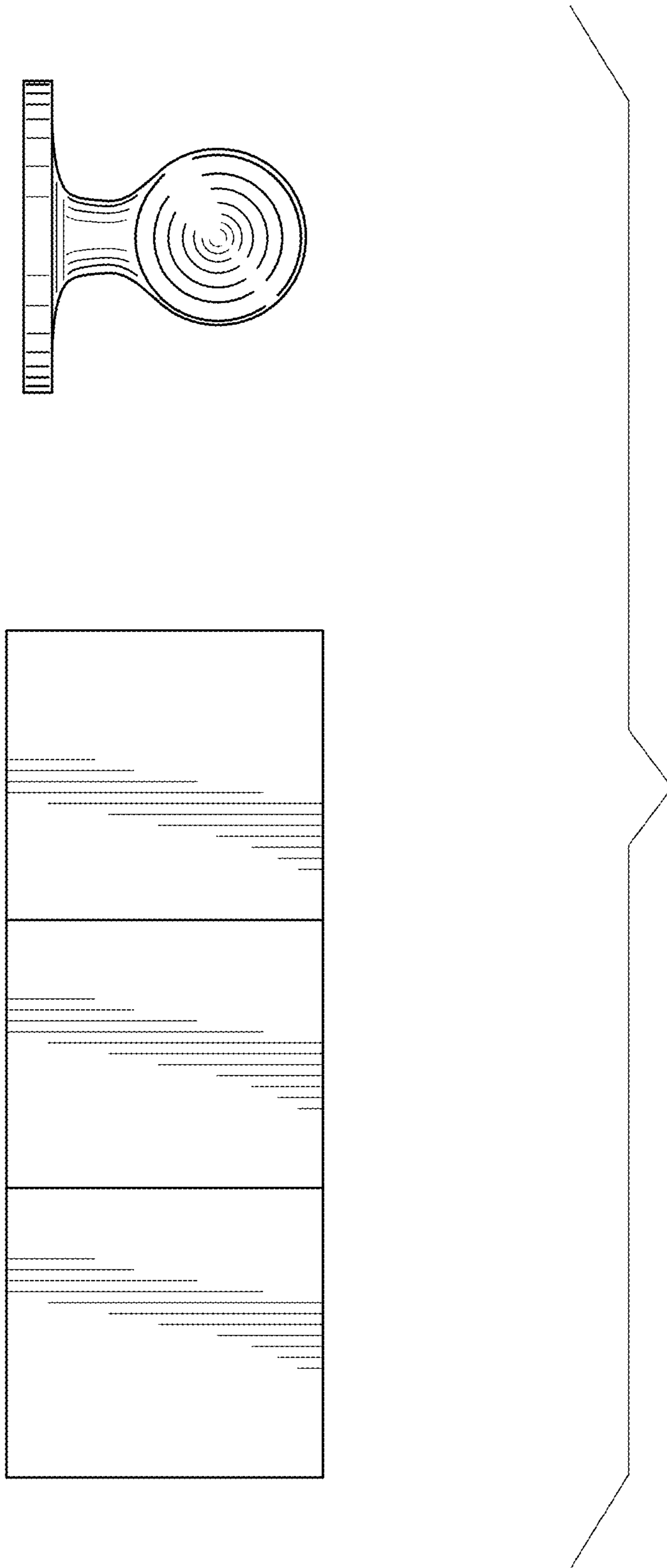


Fig. 5