



US00D774376S

(12) **United States Design Patent** (10) **Patent No.:** **US D774,376 S**  
**Zhang** (45) **Date of Patent:** **\*\* Dec. 20, 2016**

- (54) **TOOL CONNECTOR HANDLE**
- (71) Applicant: **Wenquan Zhang**, Qingdao (CN)
- (72) Inventor: **Wenquan Zhang**, Qingdao (CN)
- (73) Assignee: **Wenquan Zhang**, Qingdao, Shandong (CN)
- (\*\*) Term: **15 Years**
- (21) Appl. No.: **29/532,971**
- (22) Filed: **Jul. 13, 2015**
- (51) **LOC (10) Cl.** ..... **08-05**
- (52) **U.S. Cl.**  
USPC ..... **D8/107**
- (58) **Field of Classification Search**  
USPC D8/14, 107, 83, 300, 303; D4/138; D7/395;  
D32/72; D21/662, 680, 681, 684,  
D21/694  
CPC ..... B25G 1/00; B25G 1/005; B25G 1/102;  
B25G 1/125; Y10T 16/44; Y10T 16/466  
See application file for complete search history.

(56) **References Cited**

U.S. PATENT DOCUMENTS

- D170,438 S \* 9/1953 Ziskind ..... 15/229.13
- 2,780,183 A 2/1957 Myers
- 4,170,909 A \* 10/1979 Wagner ..... B25B 13/06  
81/177.7
- D274,122 S \* 6/1984 Stahel ..... D8/303
- 4,535,649 A \* 8/1985 Stahel ..... B62K 21/26  
74/551.1
- 4,941,232 A \* 7/1990 Decker ..... B25F 5/006  
16/421
- D320,125 S 9/1991 Hacker
- D377,745 S 2/1997 Laun
- D415,803 S \* 10/1999 Cousins ..... D21/678
- 6,263,759 B1 7/2001 Hollingsworth et al.
- 6,311,381 B1 11/2001 Wendelgast
- 6,551,222 B1 4/2003 Beaver

- D481,290 S \* 10/2003 Thompson ..... D8/107
  - D502,578 S \* 3/2005 Roschi ..... D32/31
  - 7,334,499 B2 2/2008 Lai
- (Continued)

FOREIGN PATENT DOCUMENTS

CN 301848682 S 2/2012

OTHER PUBLICATIONS

U.S. Appl. No. 29/532,979; Non-Final Office Action dated Jun. 3, 2016; 10 pages.

*Primary Examiner* — Phillip S Hyder

(74) *Attorney, Agent, or Firm* — Swanson & Bratschun, L.L.C.

(57) **CLAIM**

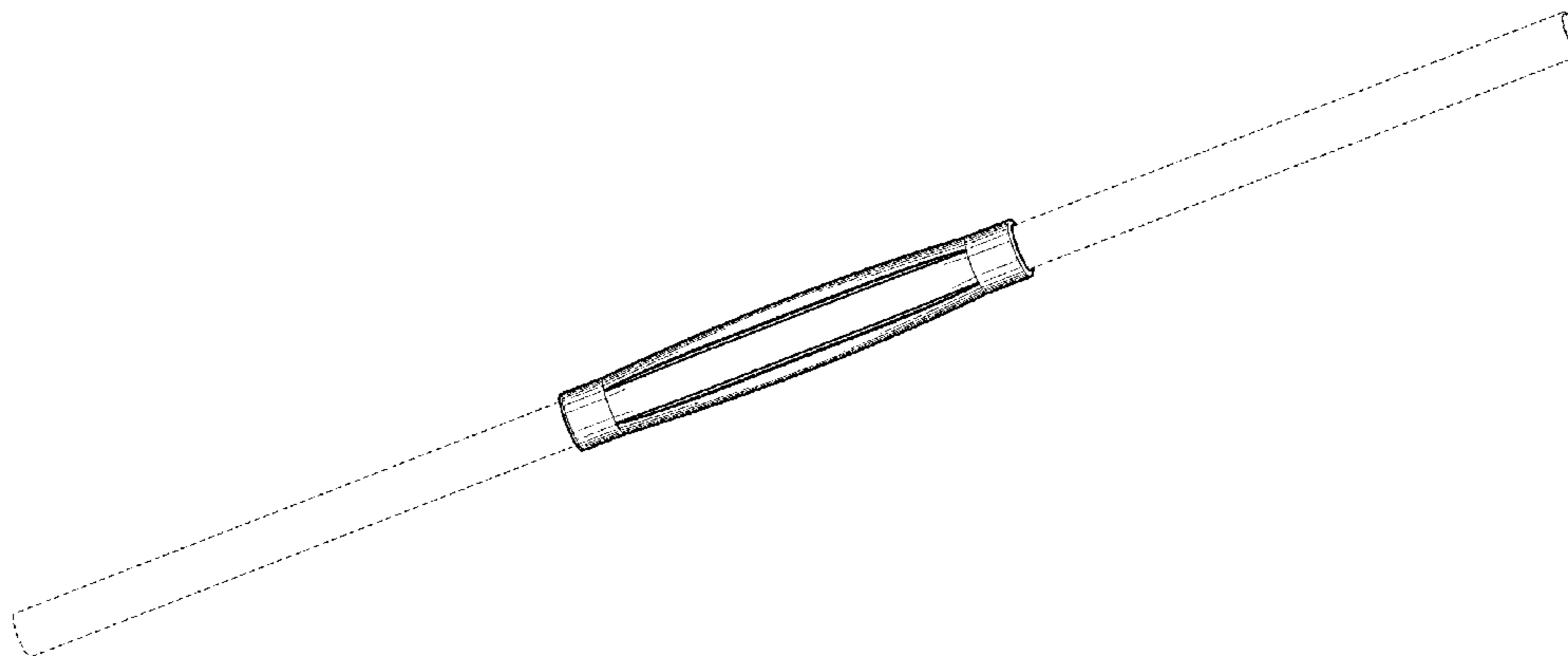
The ornamental design for a tool connector handle, as shown and described.

**DESCRIPTION**

FIG. 1 is a top perspective view of a tool connector handle showing our new design, shown in relation with rods in broken lines connected with the tool connector handle; FIG. 2 is a top perspective view of the tool connector handle of FIG. 1; FIG. 3 is a top plan view of the tool connector handle of FIG. 1, the bottom plan view being a mirror image thereof; FIG. 4 is a front elevation view of the tool connector handle of FIG. 1, the rear elevation view being a mirror image thereof; and, FIG. 5 is a right side elevation view of the tool connector handle of FIG. 1, the left side elevation view being a mirror image thereof.

The broken lines showing portions of the design in all figures are included for the purpose of illustrating environment and unclaimed features, and form no part of the claimed design.

**1 Claim, 4 Drawing Sheets**



(56)

**References Cited**

U.S. PATENT DOCUMENTS

D593,716 S	6/2009	Strauss	
D595,379 S	6/2009	Devaney et al.	
D633,363 S *	3/2011	Quinlan .....	D8/303
D637,884 S	5/2011	Trotta	
D643,680 S *	8/2011	Bodum .....	D7/395
D651,886 S	1/2012	Clement	
D669,945 S	10/2012	Russo et al.	
D699,072 S	2/2014	Radtko	
D718,011 S *	11/2014	Lentine .....	D32/52
D725,202 S *	3/2015	Hunt .....	D21/662
2007/0022572 A1	2/2007	Rogers	

\* cited by examiner

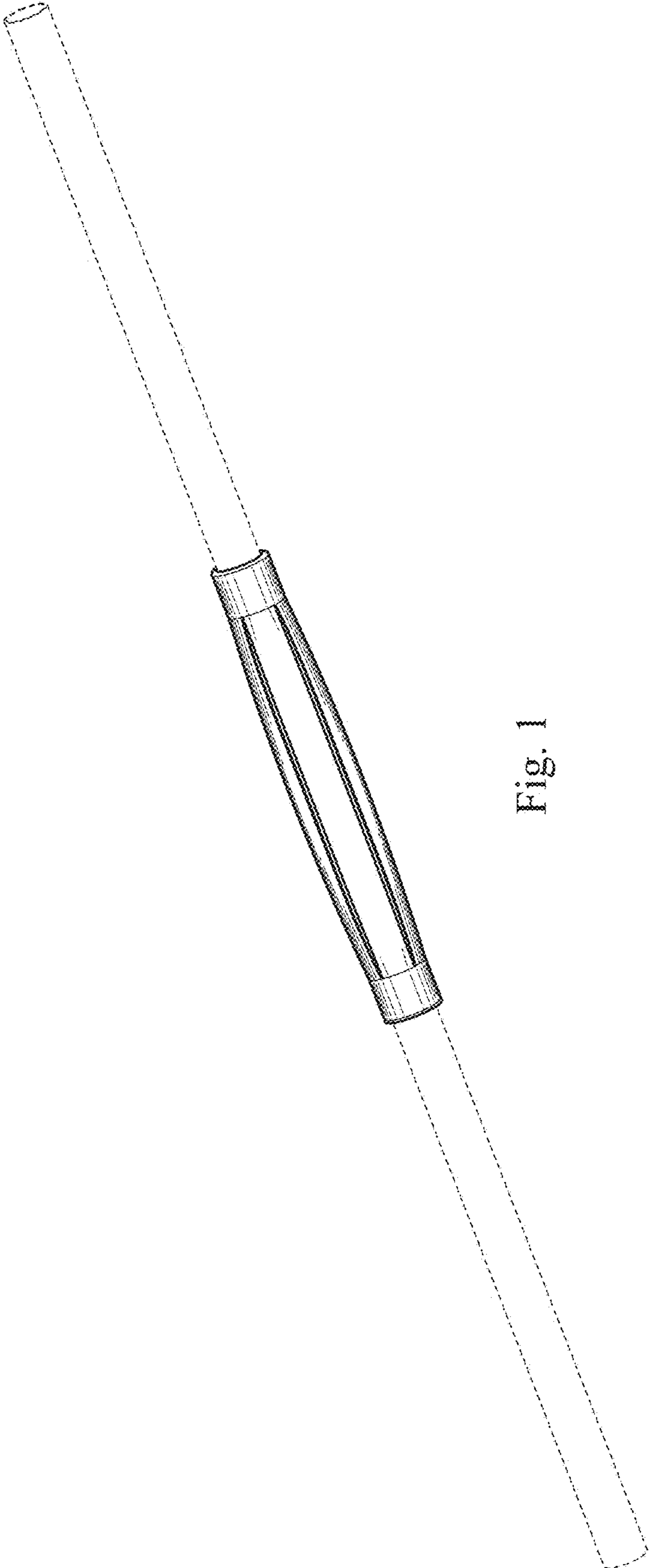


Fig. 1

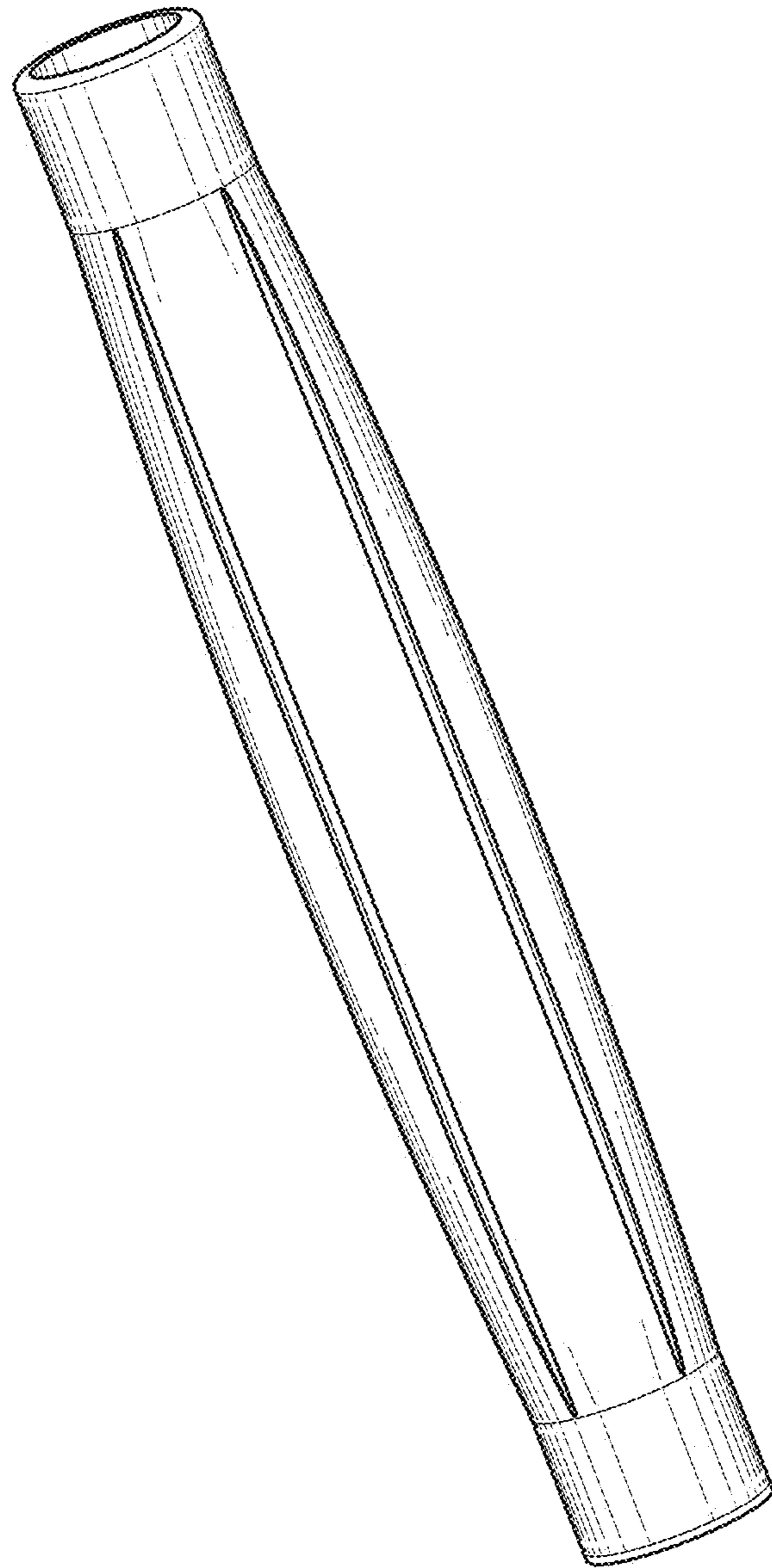


Fig. 2

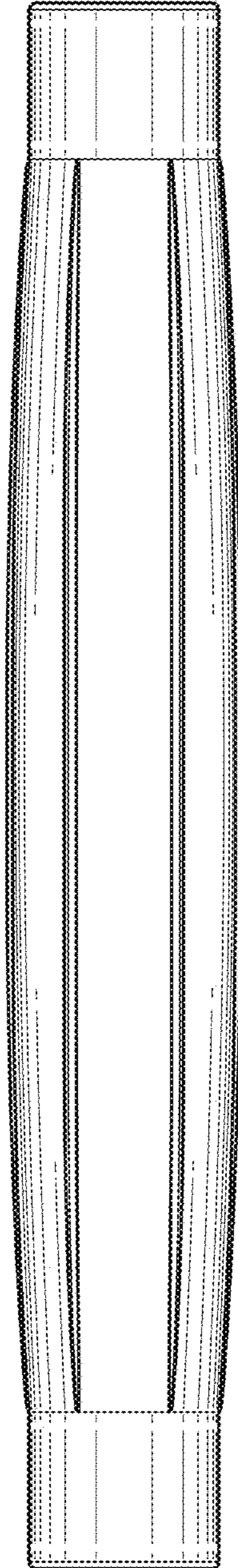


Fig. 3

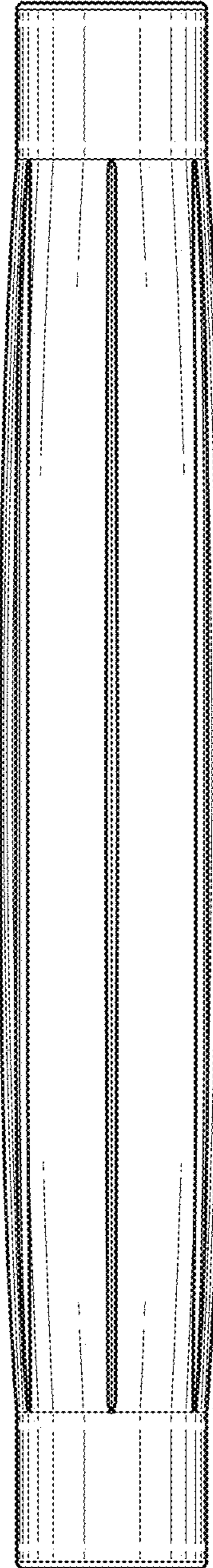


Fig. 4



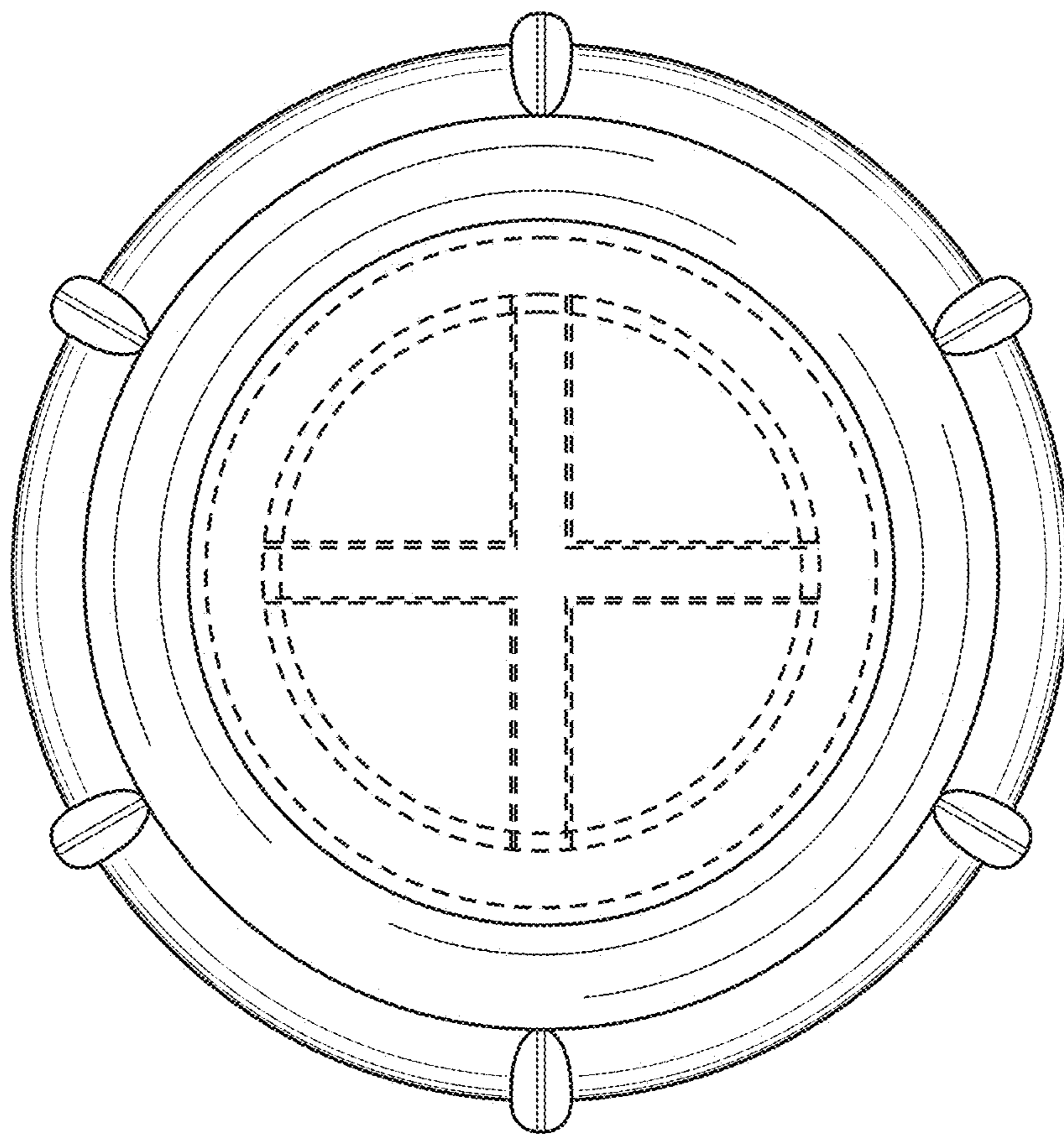


Fig. 5