



US00D774375S

(12) **United States Design Patent** (10) **Patent No.:** **US D774,375 S**
Strunk (45) **Date of Patent:** **** Dec. 20, 2016**

(54) **JACKET-STRIPPING TOOL** 6,427,331 B1 * 8/2002 Tarpill H02G 1/1217
 30/90.1
 (71) Applicant: **Titeflex Corporation**, Springfield, MA 6,964,098 B1 11/2005 Belew et al.
 (US) D591,245 S * 4/2009 Iijima D13/156
 7,984,553 B1 7/2011 Miller et al.
 (72) Inventor: **Jordan Strunk**, Portland, TN (US) D680,083 S * 4/2013 Olson D13/156

(73) Assignee: **Titeflex Corporation**, Springfield, MA (US)
 (**) Term: **15 Years**

(21) Appl. No.: **29/531,383**

(22) Filed: **Jun. 25, 2015**

(51) **LOC (10) Cl.** **08-03**

(52) **U.S. Cl.**
USPC **D8/98**

(58) **Field of Classification Search**
 USPC D8/98, 99, 14, 51; D13/156
 CPC H02G 1/1229; H02G 1/12; H02G 1/1224;
 H02G 1/1204; H02G 1/1209
 See application file for complete search history.

(56) **References Cited**

U.S. PATENT DOCUMENTS

3,254,407 A 6/1966 Apa et al.
 3,304,605 A 2/1967 Stark
 4,026,017 A 5/1977 Arnold
 4,587,731 A 5/1986 Krampe
 4,799,406 A 1/1989 Diaz-De-Guerenu-Aguirrebeitia
 5,046,252 A * 9/1991 Ayuta B26D 3/169
 29/566.4
 5,074,043 A 12/1991 Mills
 5,150,522 A * 9/1992 Gwo-Jiang H02G 1/1224
 30/91.2
 5,377,410 A 1/1995 Welch
 5,829,322 A * 11/1998 Chen H02G 1/1224
 30/91.2
 D405,336 S * 2/1999 Hepworth D8/98

OTHER PUBLICATIONS

Moroso, 2013, "Enhanced Ignition Wire Stripping Tool", <http://www.moroso.com/catalog/categorydisplay.asp?catcode=27347>.

* cited by examiner

Primary Examiner — Phillip S Hyder

(74) *Attorney, Agent, or Firm* — Saul Ewing LLP; Brian R. Landry, Esq.

(57) **CLAIM**

The ornamental design of a jacket-stripping tool, as shown and described.

DESCRIPTION

FIG. 1 is a perspective view of the top, front, and right side for a jacket-stripping tool showing an embodiment of the new design;

FIG. 2 is a top view thereof;

FIG. 3 is a bottom view thereof;

FIG. 4 is a left view thereof;

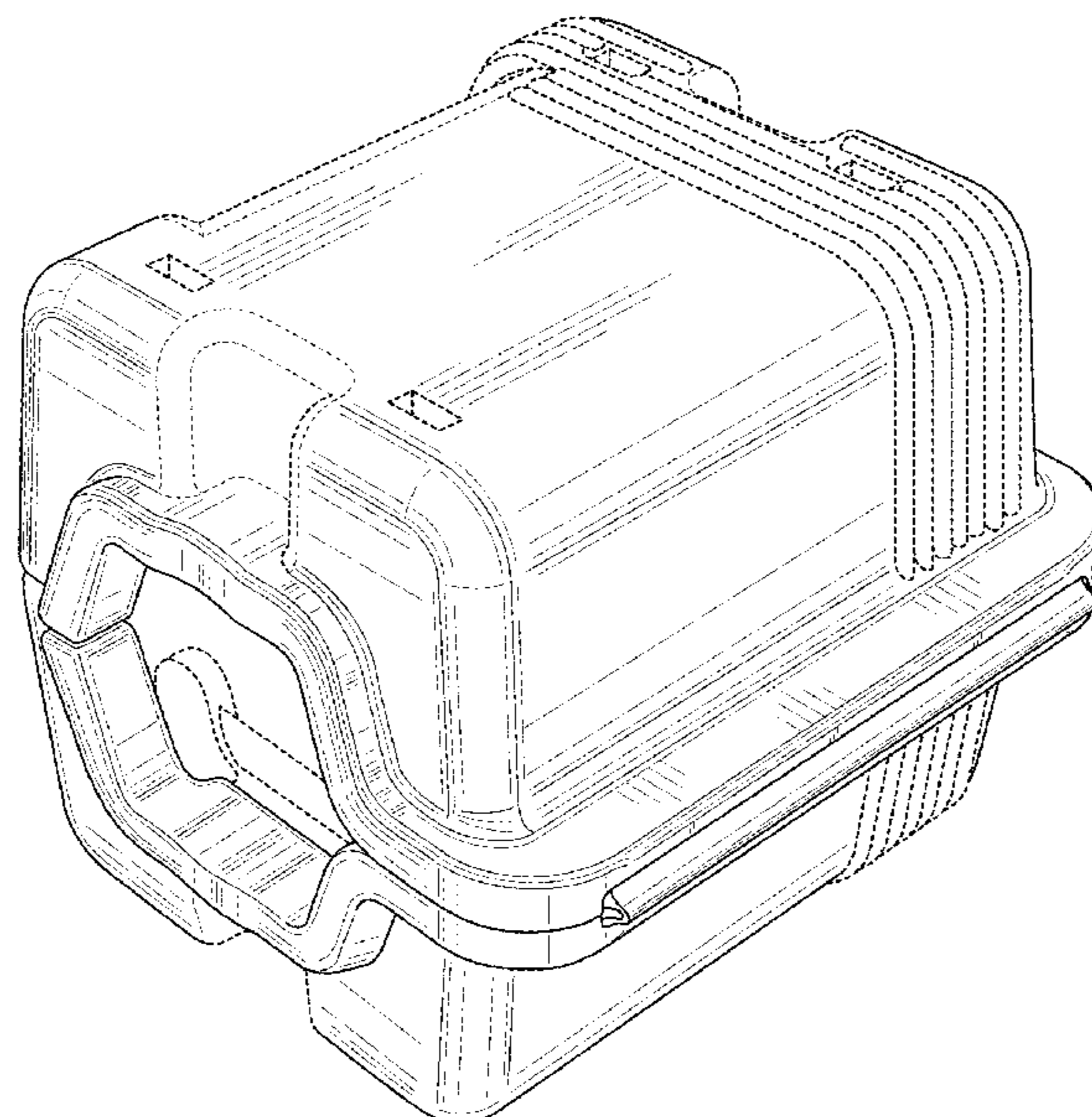
FIG. 5 is a right view thereof;

FIG. 6 is a front view thereof; and,

FIG. 7 is a back view thereof.

The broken lines depict portions of the jacket-stripping tool in which the design is embodied that are not considered part of the claimed design.

1 Claim, 7 Drawing Sheets



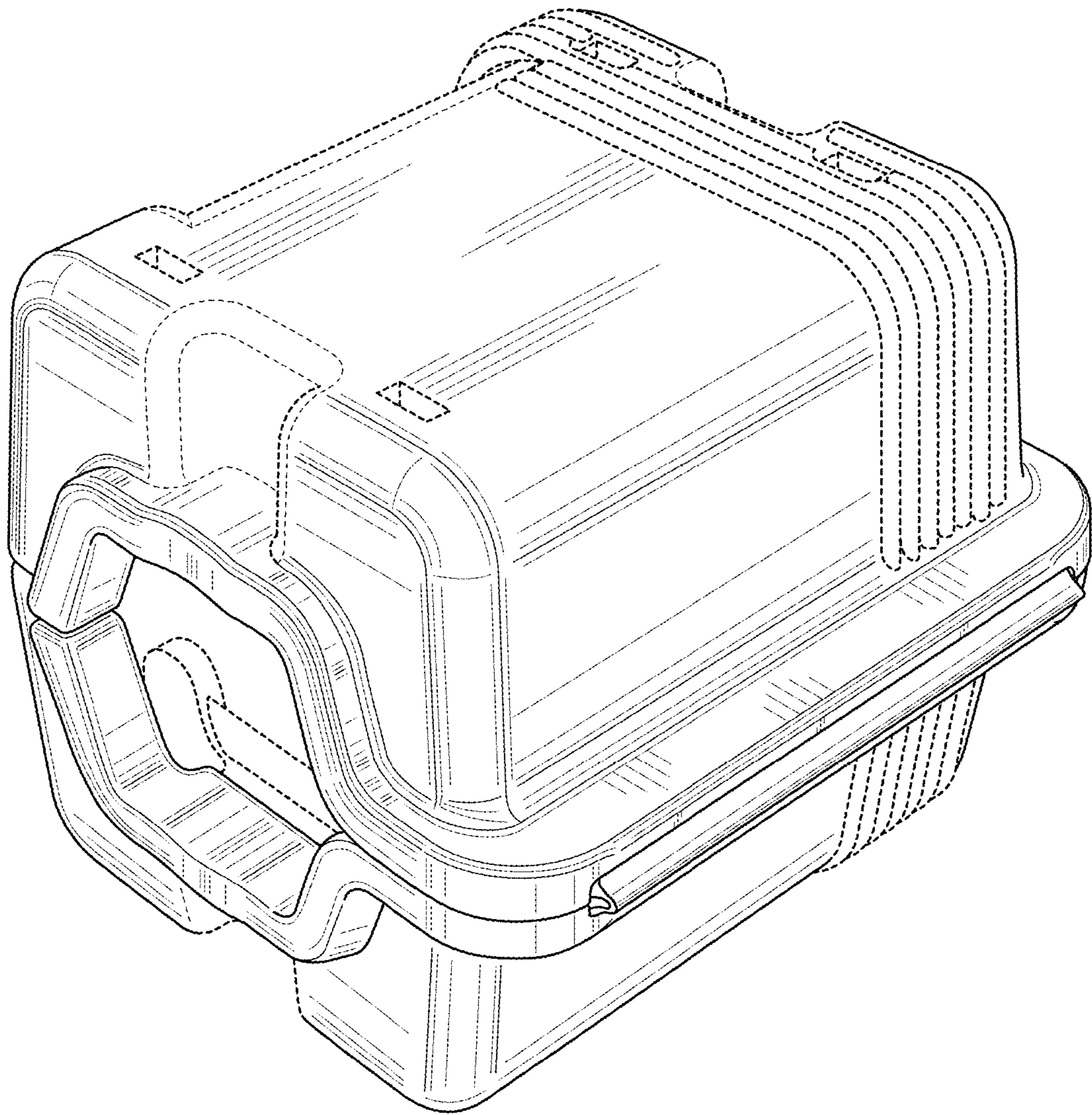


FIG. 1

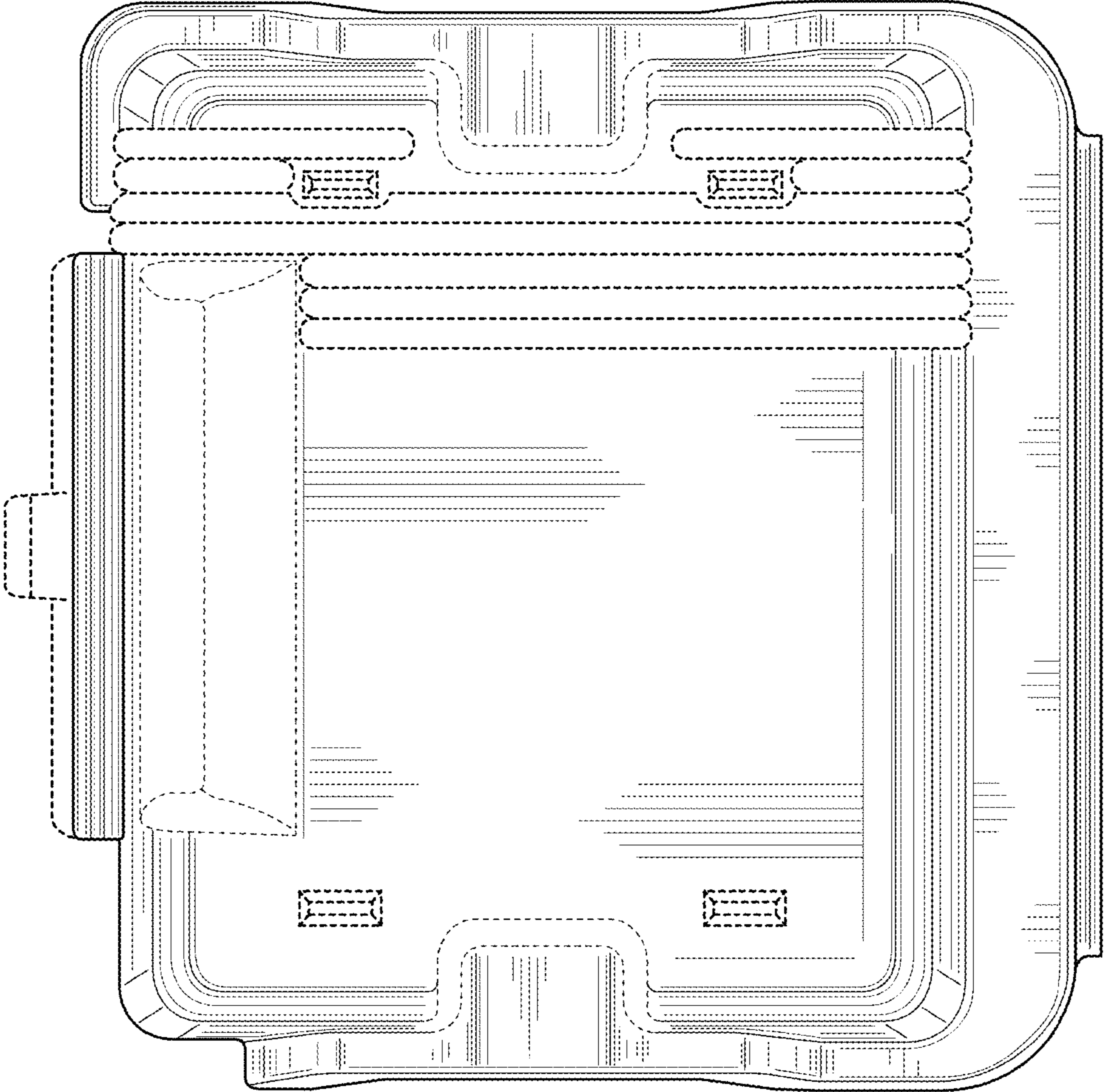


FIG. 2

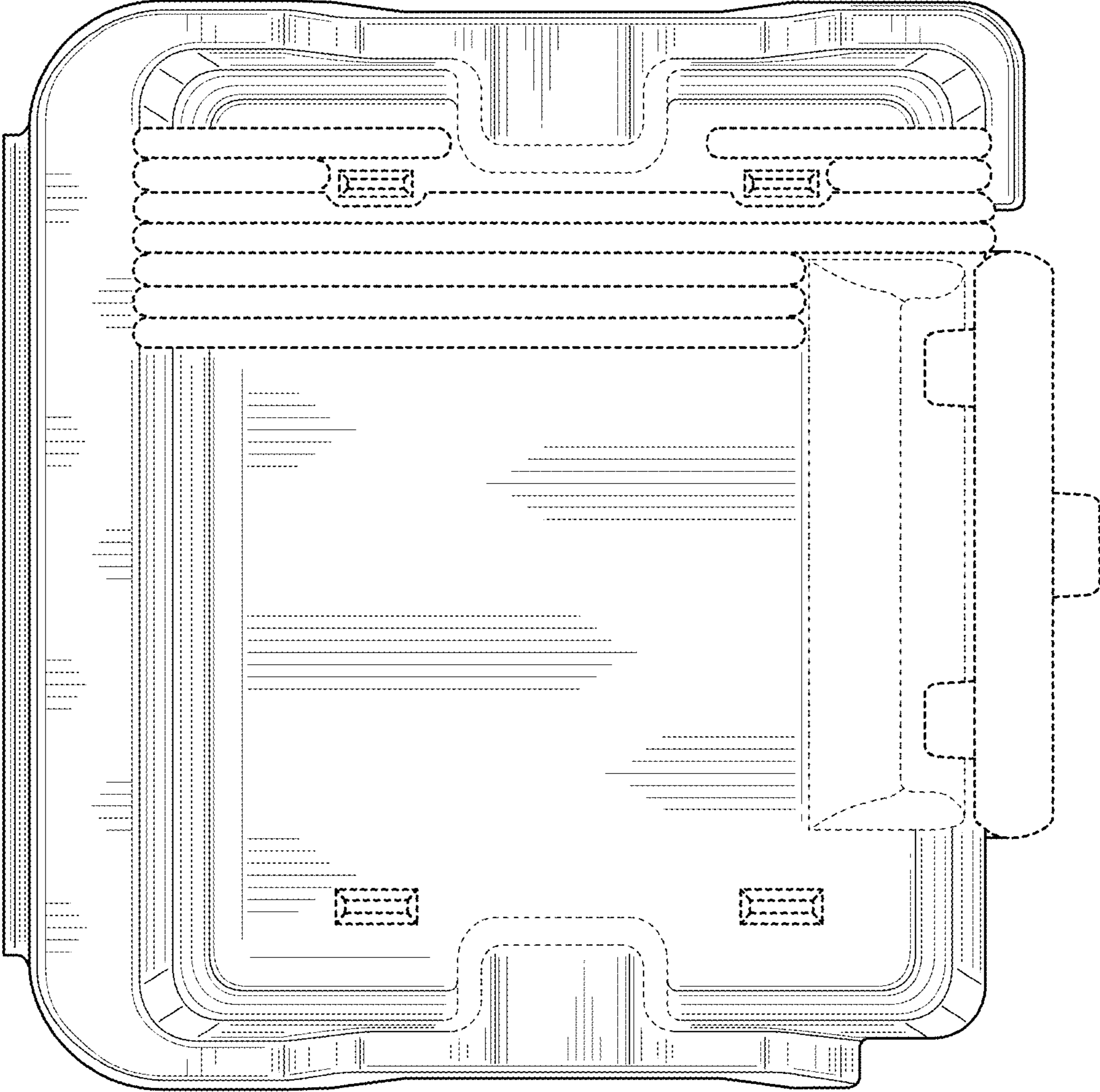


FIG. 3

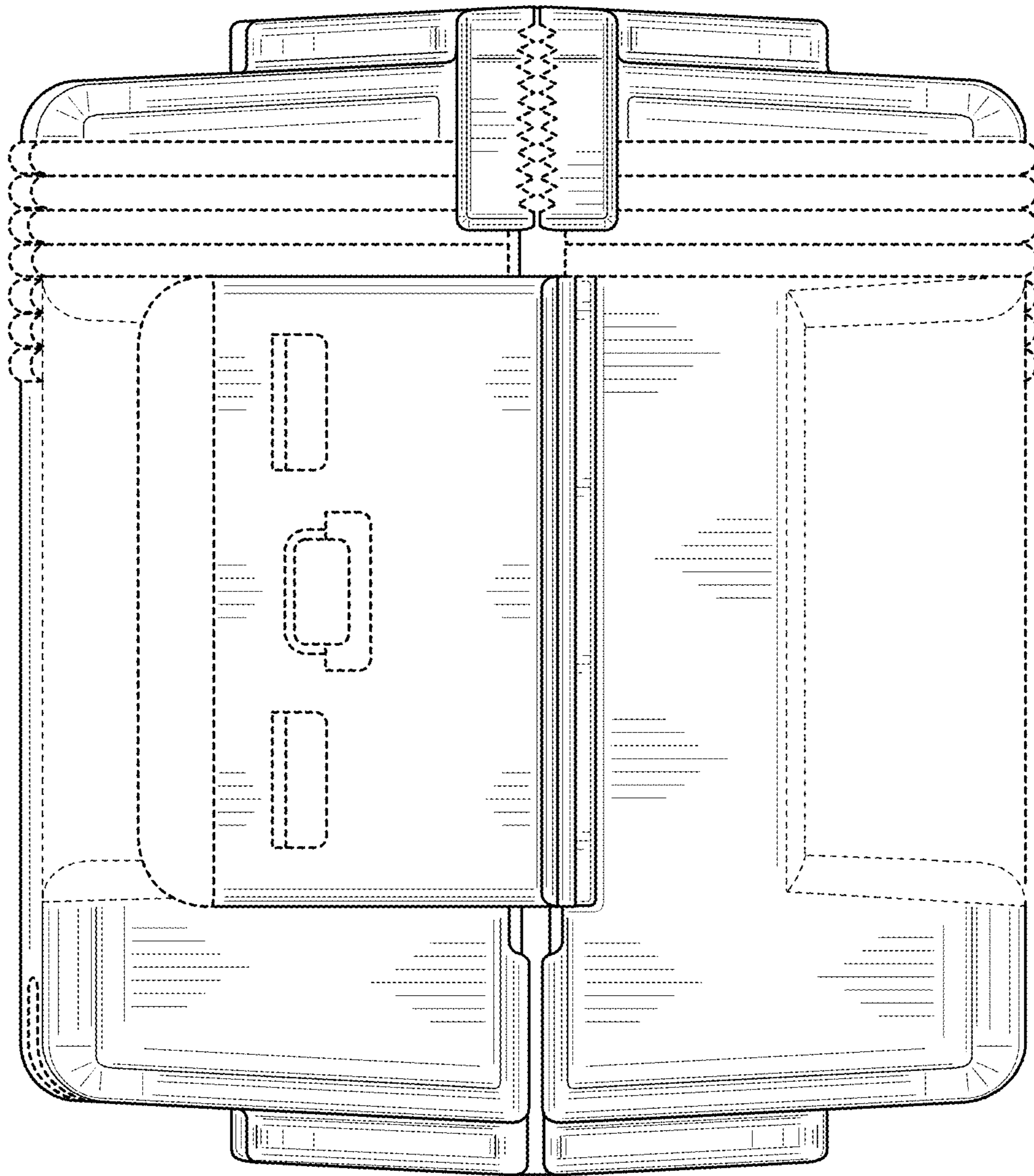


FIG. 4

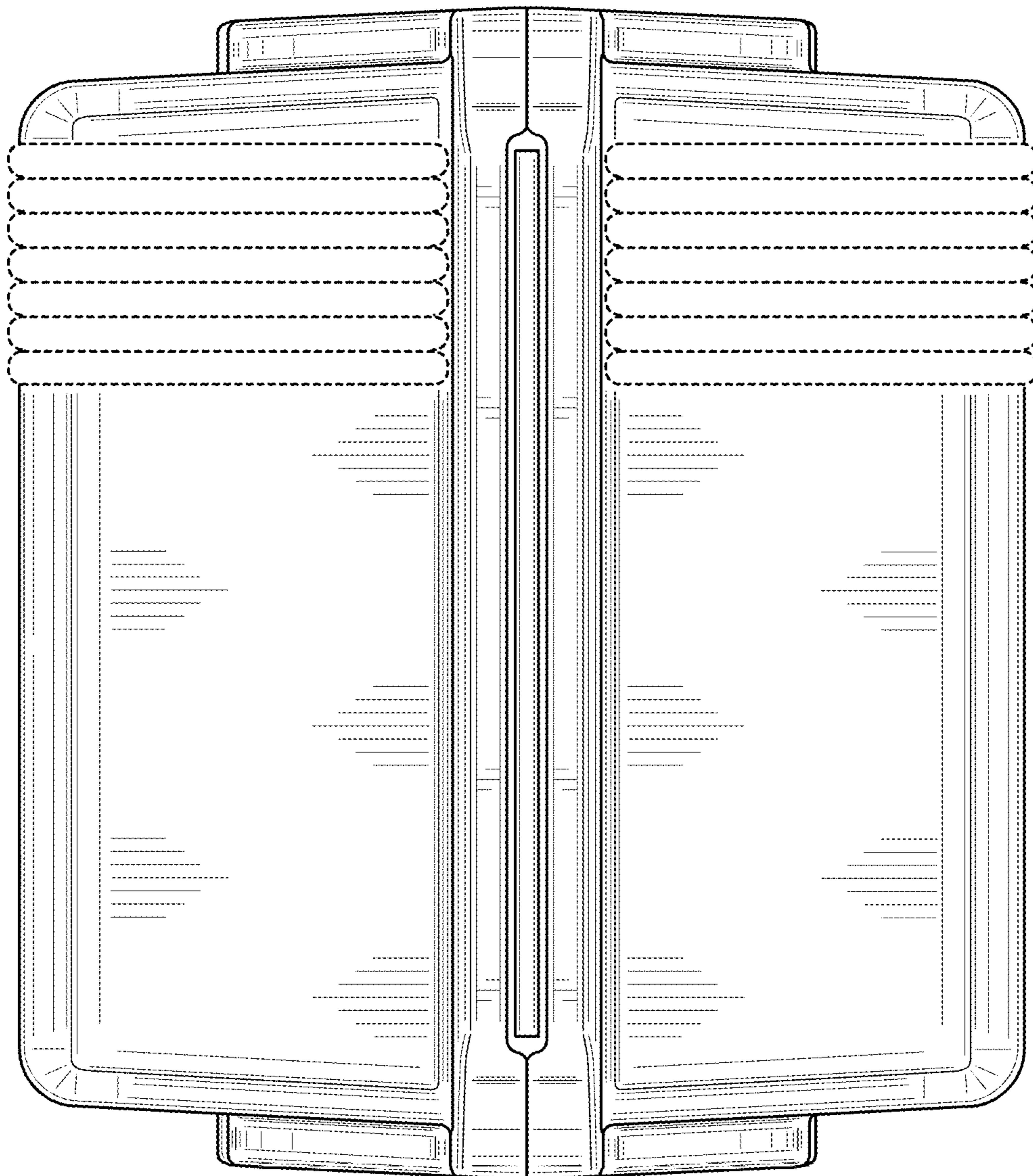


FIG. 5

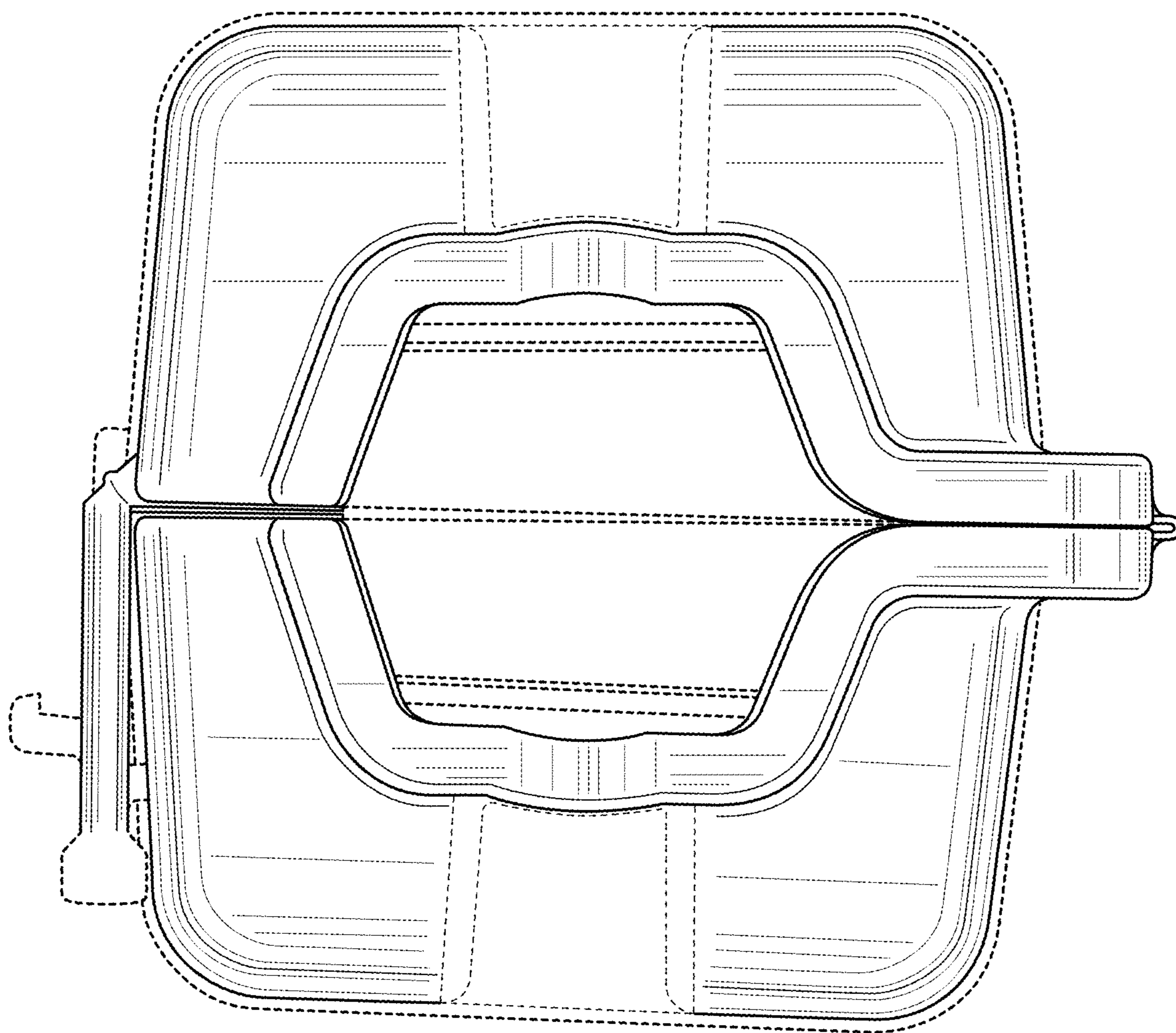


FIG. 6

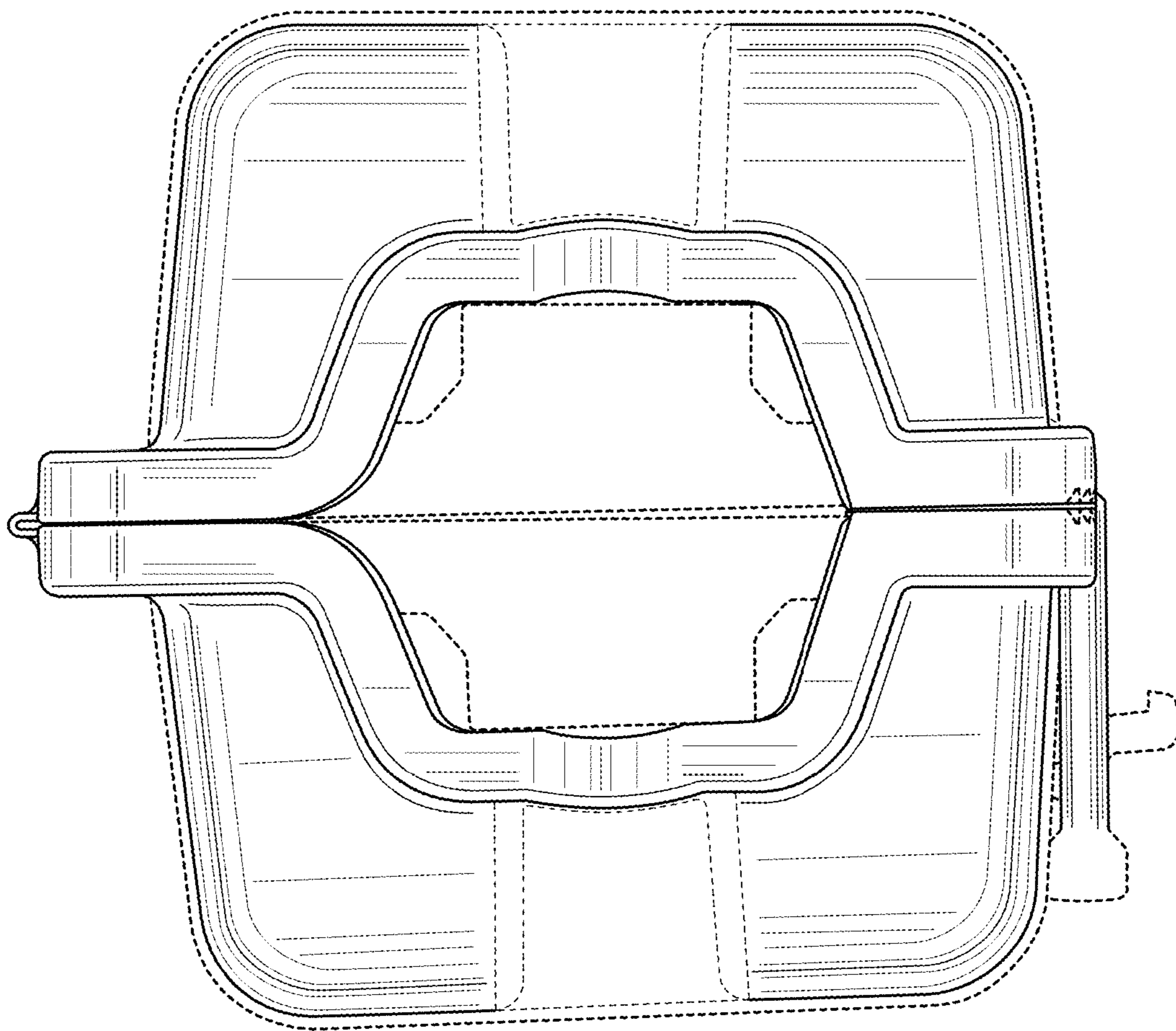


FIG. 7