



US00D774374S

(12) **United States Design Patent** (10) **Patent No.:** **US D774,374 S**  
**Klingman** (45) **Date of Patent:** **\*\* Dec. 20, 2016**

(54) **MULTI-PURPOSE AX HEAD WITH SIDE CHANNELS**

D549,540 S 8/2007 Chen  
D566,510 S 4/2008 Nielsen  
D607,295 S \* 1/2010 Knight ..... D8/76

(71) Applicant: **David Forrest Cabot Klingman,**  
Boulder, CO (US)

**FOREIGN PATENT DOCUMENTS**

(72) Inventor: **David Forrest Cabot Klingman,**  
Boulder, CO (US)

CN 201483525 5/2010  
CN 201960599 9/2011  
FR 2552361 3/1985  
FR 2631576 11/1989

(\*\*) Term: **15 Years**

\* cited by examiner

(21) Appl. No.: **29/535,294**

*Primary Examiner* — Phillip S Hyder

(22) Filed: **Aug. 5, 2015**

(74) *Attorney, Agent, or Firm* — Simpson & Simpson,  
PLLC

(51) **LOC (10) Cl.** ..... **08-02**

(52) **U.S. Cl.**  
USPC ..... **D8/76**

(57) **CLAIM**

(58) **Field of Classification Search**  
USPC .. D8/75, 76, 77, 78, 79, 80, 81, 88, 89, 105  
CPC ..... B25F 1/006; B25D 1/04; A62B 3/005;  
B26B 23/00

The ornamental design for a multi-purpose ax head with side channels, as shown and described.

See application file for complete search history.

**DESCRIPTION**

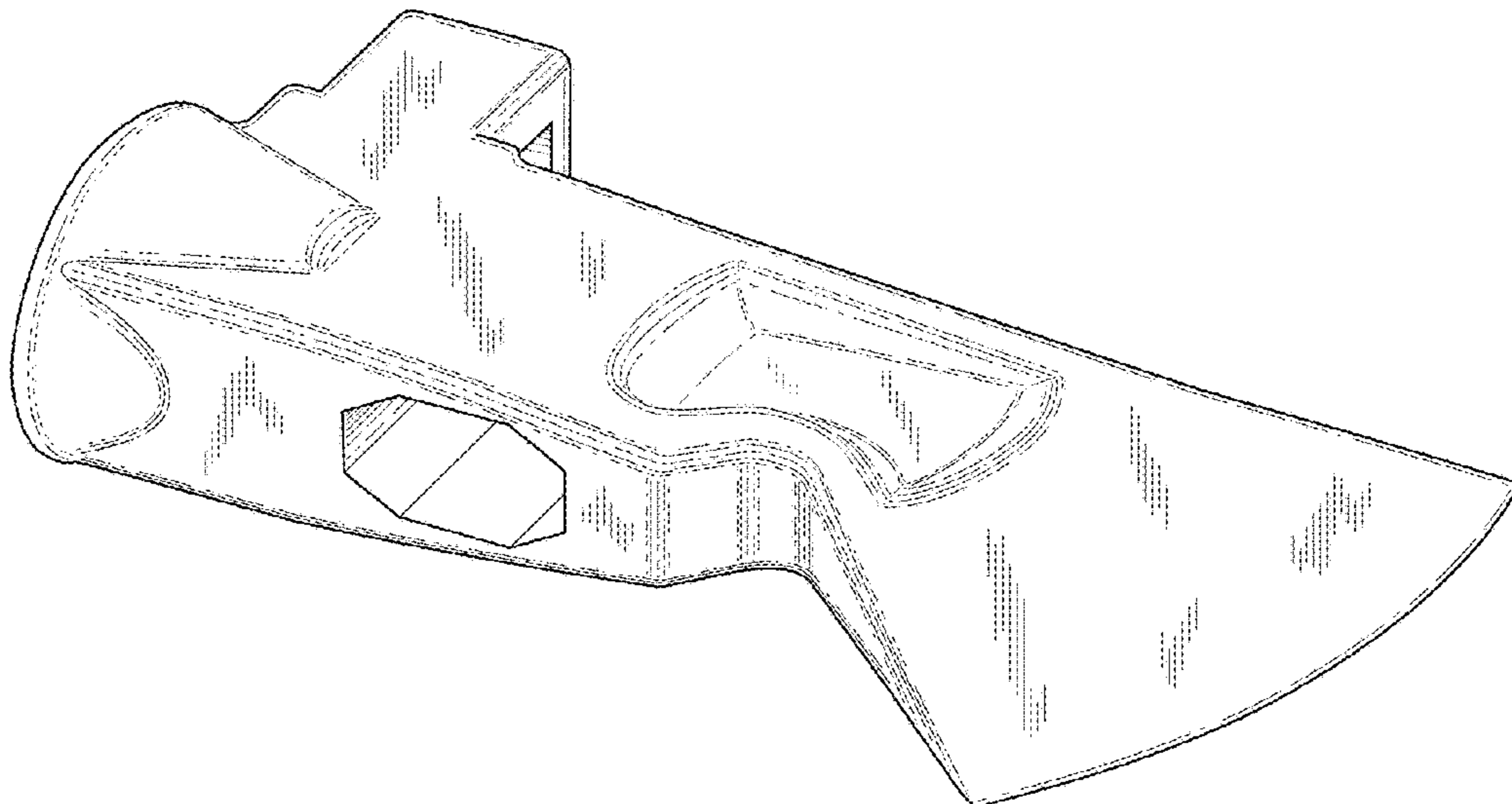
(56) **References Cited**

**U.S. PATENT DOCUMENTS**

199,959	A	2/1878	Chapman	
591,689	A	10/1897	Ponkney	
1,615,818	A	1/1927	Misener	
D99,635	S	3/1934	Vaughan	
D115,256	S	6/1939	Vaughan	
2,349,112	A	5/1944	Romanoski	
D163,911	S	7/1951	Sutter	
3,604,028	A	9/1971	Wardwell	
4,433,709	A	2/1984	Porter	
5,647,080	A	7/1997	Martin	
6,568,016	B1	5/2003	Hoogland	
D510,691	S *	10/2005	Storm	D8/76
D521,344	S	5/2006	Hung	
D549,065	S *	8/2007	Chen	D8/76

FIG. 1 is a perspective view of a multi-purpose ax head with side channels of the present disclosure;  
FIG. 2 is a front view of the multi-purpose ax head with side channels shown in FIG. 1;  
FIG. 3 is a rear view of the multi-purpose ax head with side channels shown in FIG. 1;  
FIG. 4 is a left side view of the multi-purpose ax head with side channels shown in FIG. 1;  
FIG. 5 is a right side view of the multi-purpose ax head with side channels shown in FIG. 1;  
FIG. 6 is a top plan view of the multi-purpose ax head with side channels shown in FIG. 1; and,  
FIG. 7 is a bottom plan view of the multi-purpose ax head with side channels shown in FIG. 1.

**1 Claim, 7 Drawing Sheets**



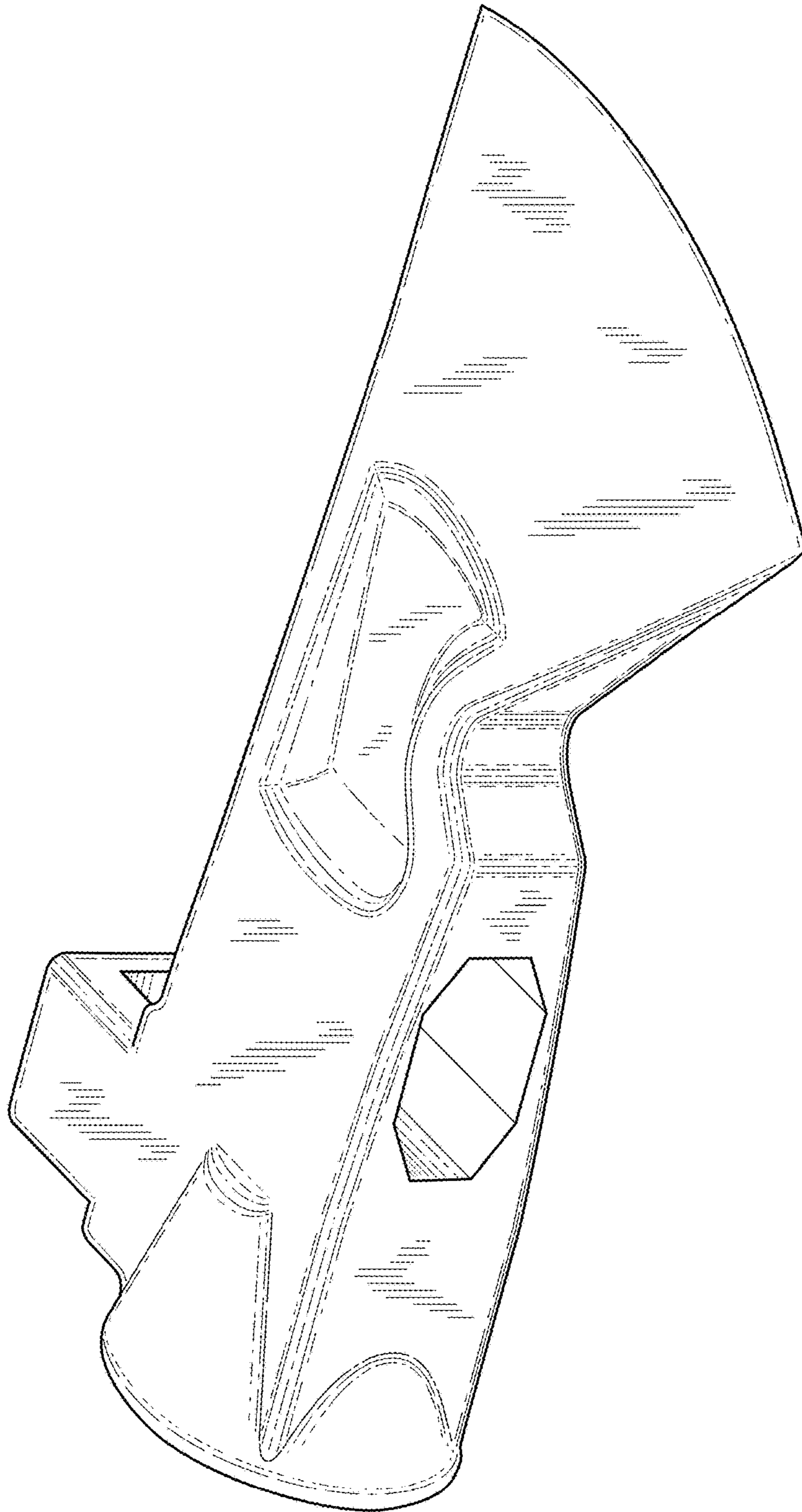


Fig. 1

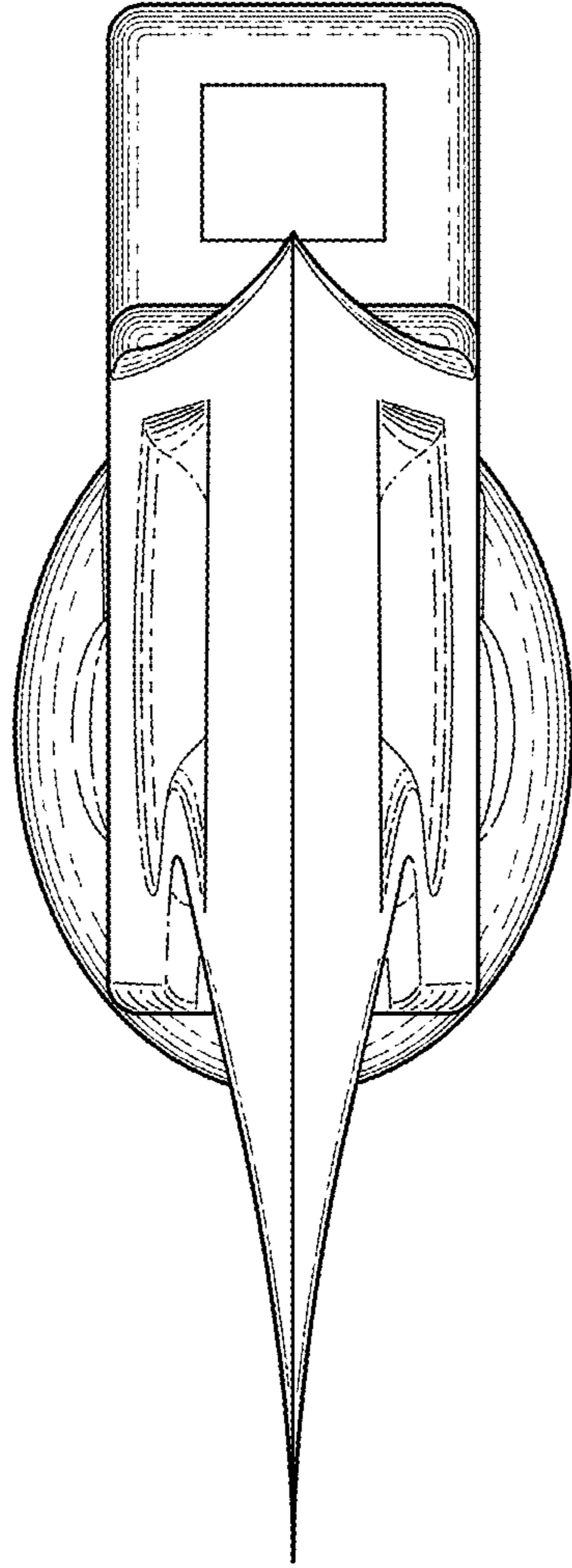


Fig. 2

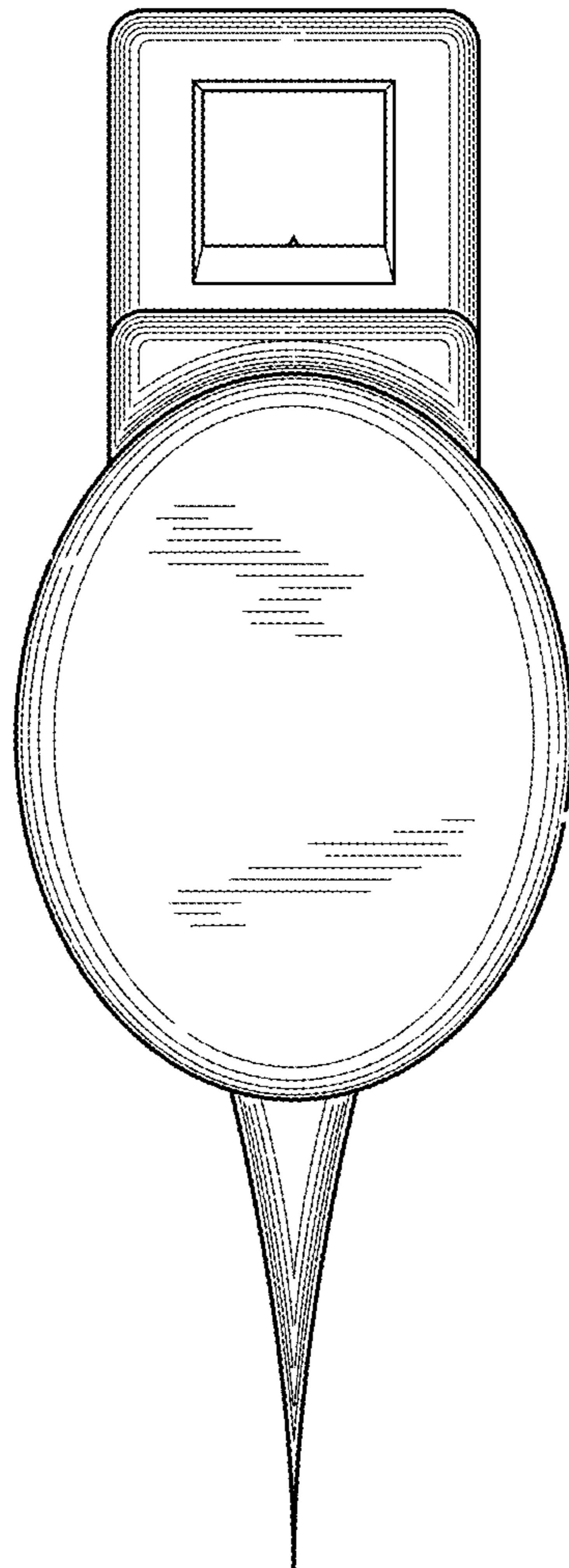


Fig. 3

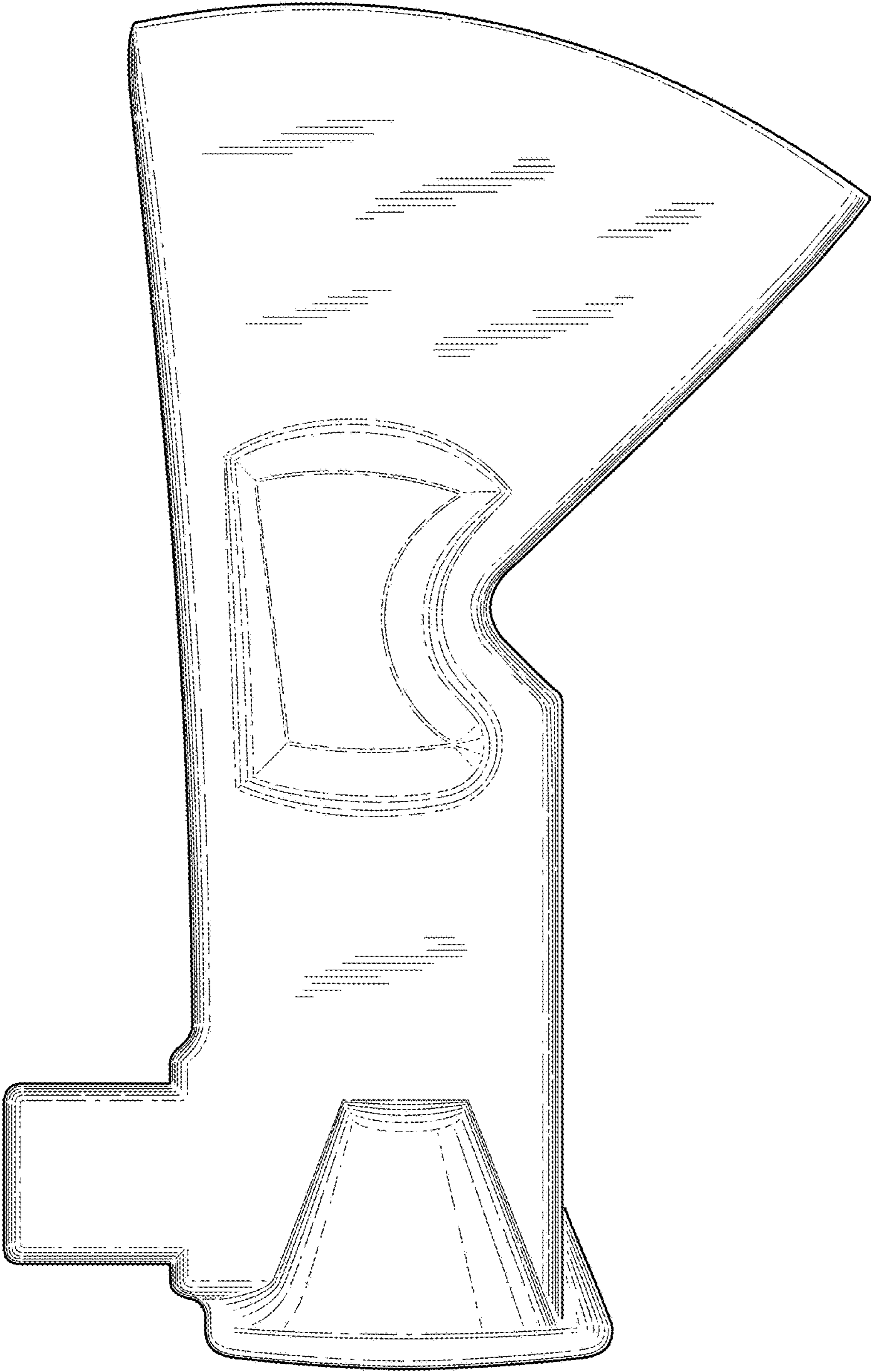


Fig. 4

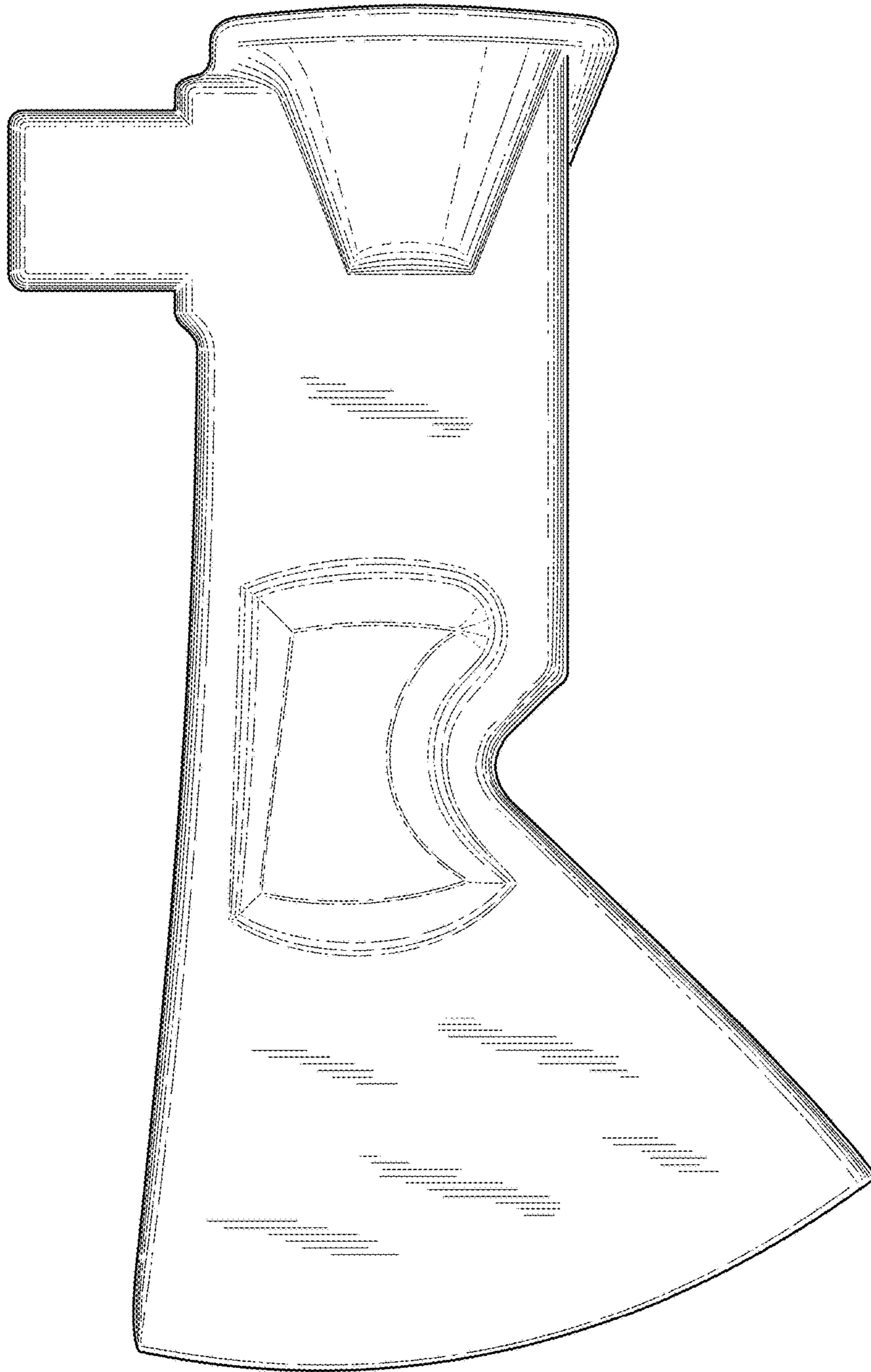


Fig. 5

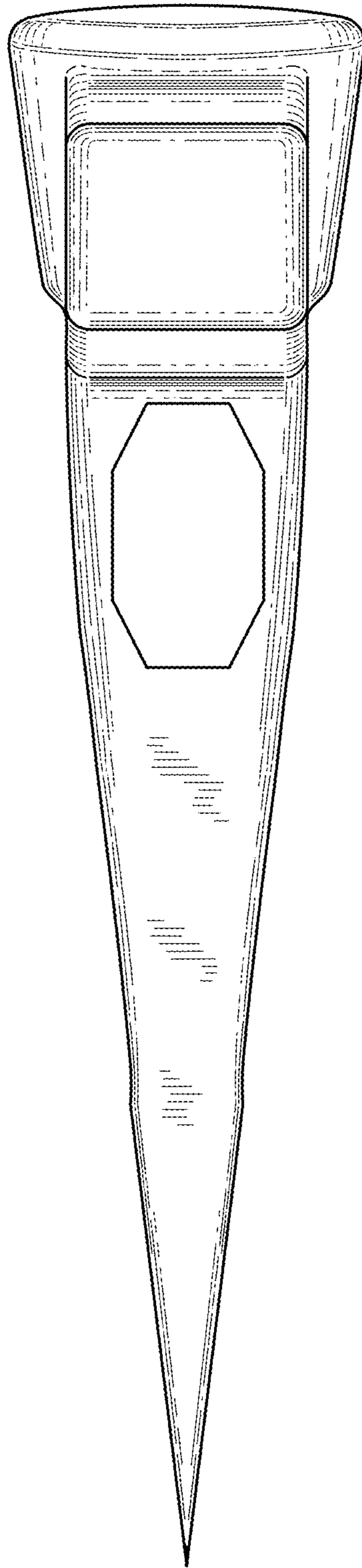


Fig. 6

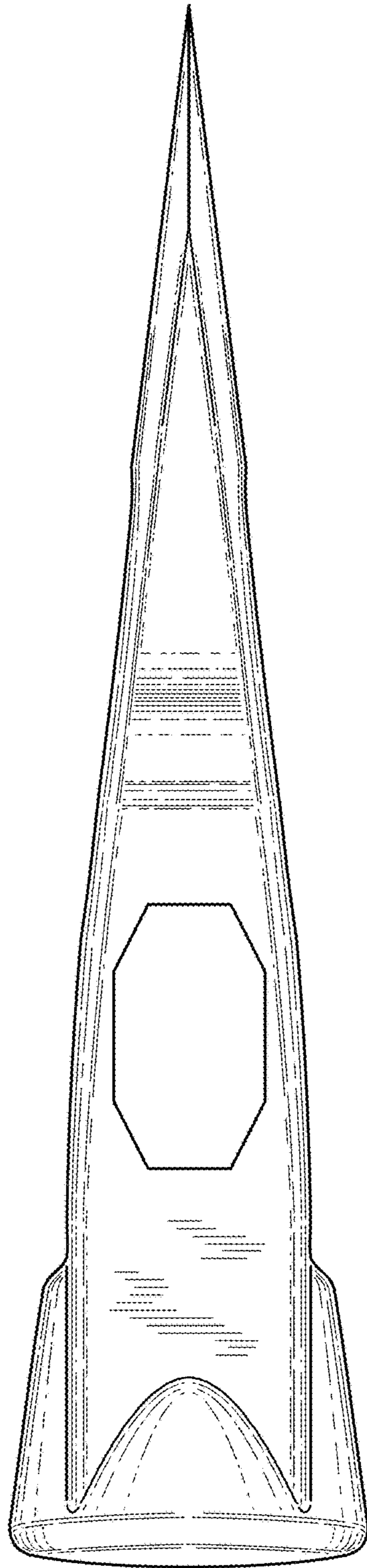


Fig. 7