



US00D774371S

(12) **United States Design Patent** (10) **Patent No.:** **US D774,371 S**  
**Lee** (45) **Date of Patent:** **\*\* Dec. 20, 2016**

(54) **RATCHET WRENCH WITH BOTTLE CAP OPENER**

(71) Applicant: **Jun Chung Lee**, Taichung (TW)

(72) Inventor: **Jun Chung Lee**, Taichung (TW)

(\*\*) Term: **15 Years**

(21) Appl. No.: **29/548,031**

(22) Filed: **Dec. 9, 2015**

(51) **LOC (10) Cl.** ..... **08-05**

(52) **U.S. Cl.**  
USPC ..... **D8/25**

(58) **Field of Classification Search**  
USPC ..... D8/17, 18, 19, 21, 26, 27, 28, 105, 25;  
81/119, 120, 121.1, 124.3, 124.4, 125.1,  
81/176.1, 176.2, 186

CPC ..... B25B 13/00  
See application file for complete search history.

(56) **References Cited**

**U.S. PATENT DOCUMENTS**

D304,899 S *	12/1989	Liu	.....	D8/105
D336,023 S *	6/1993	Alpers	.....	D8/40
D402,515 S *	12/1998	McIntyre	.....	D8/17
D434,621 S *	12/2000	Tonkin	.....	D8/17
D477,197 S *	7/2003	Yates	.....	D8/19
D477,523 S *	7/2003	Malvasio	.....	D8/105
6,826,984 B2 *	12/2004	Poppen	.....	B25B 13/02 81/176.15

7,951,136 B2 *	5/2011	Bourne	.....	A61F 9/00745 604/538
D665,239 S *	8/2012	Tillet	.....	D8/25
D689,351 S *	9/2013	Webb, Jr.	.....	D8/17
D716,622 S *	11/2014	Huang	.....	D8/22
D726,517 S *	4/2015	Fischer	.....	D8/17
D733,516 S *	7/2015	Kelleghan	.....	D8/105

\* cited by examiner

*Primary Examiner* — Randall Gholson  
(74) *Attorney, Agent, or Firm* — Raymond Y. Chan;  
David and Raymond Patent Firm

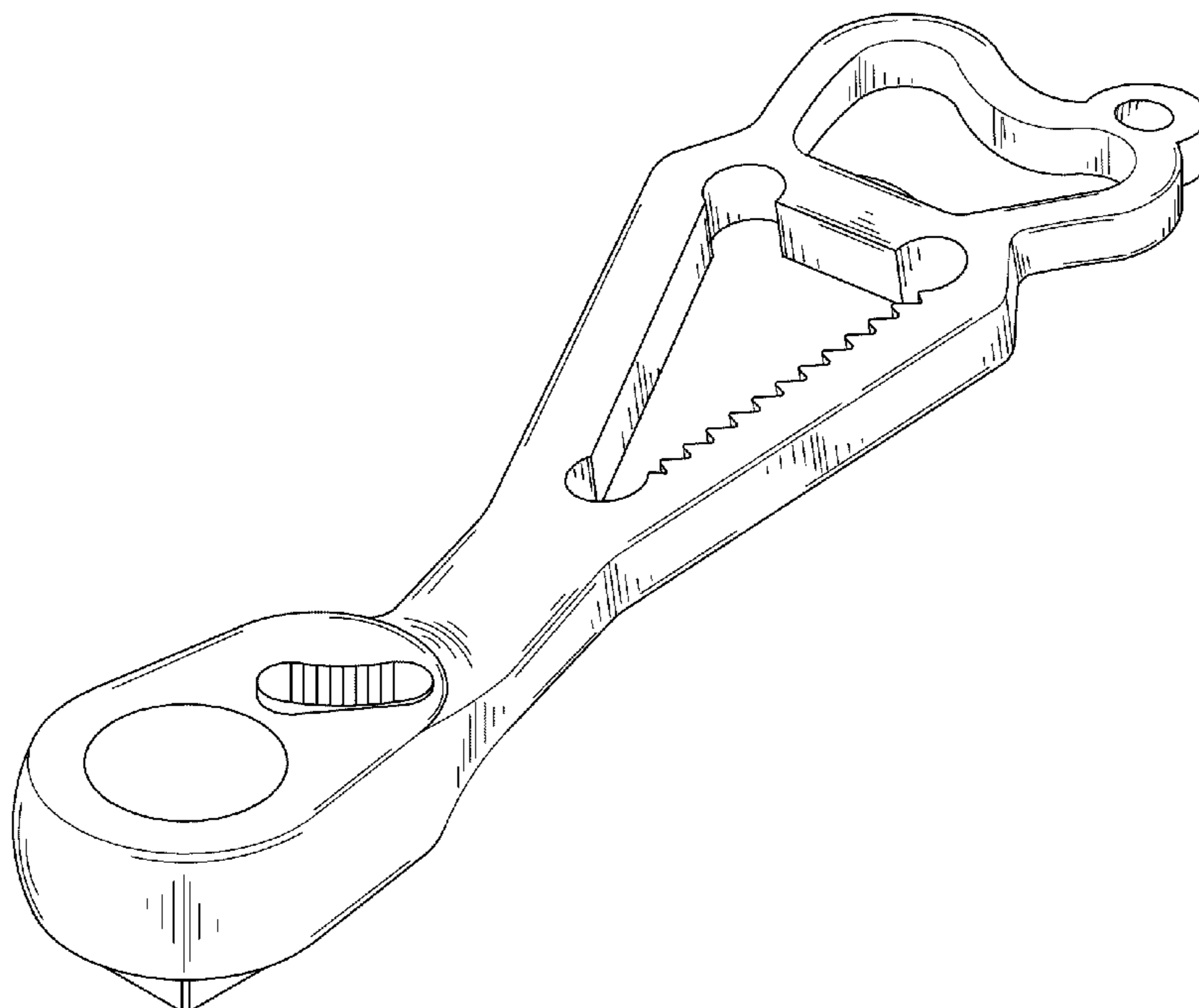
(57) **CLAIM**

The ornamental design for a ratchet wrench with bottle cap opener, as shown and described.

**DESCRIPTION**

FIG. 1 is a perspective view of ratchet wrench with bottle cap opener showing my new design.  
FIG. 2 is a front view thereof.  
FIG. 3 is a rear view thereof.  
FIG. 4 is a left view thereof.  
FIG. 5 is a right view thereof.  
FIG. 6 is a top view thereof; and,  
FIG. 7 is a bottom view thereof.  
The broken line in the drawing is included for the purpose of illustrating environmental detail and forms no part of the claimed design.

**1 Claim, 4 Drawing Sheets**



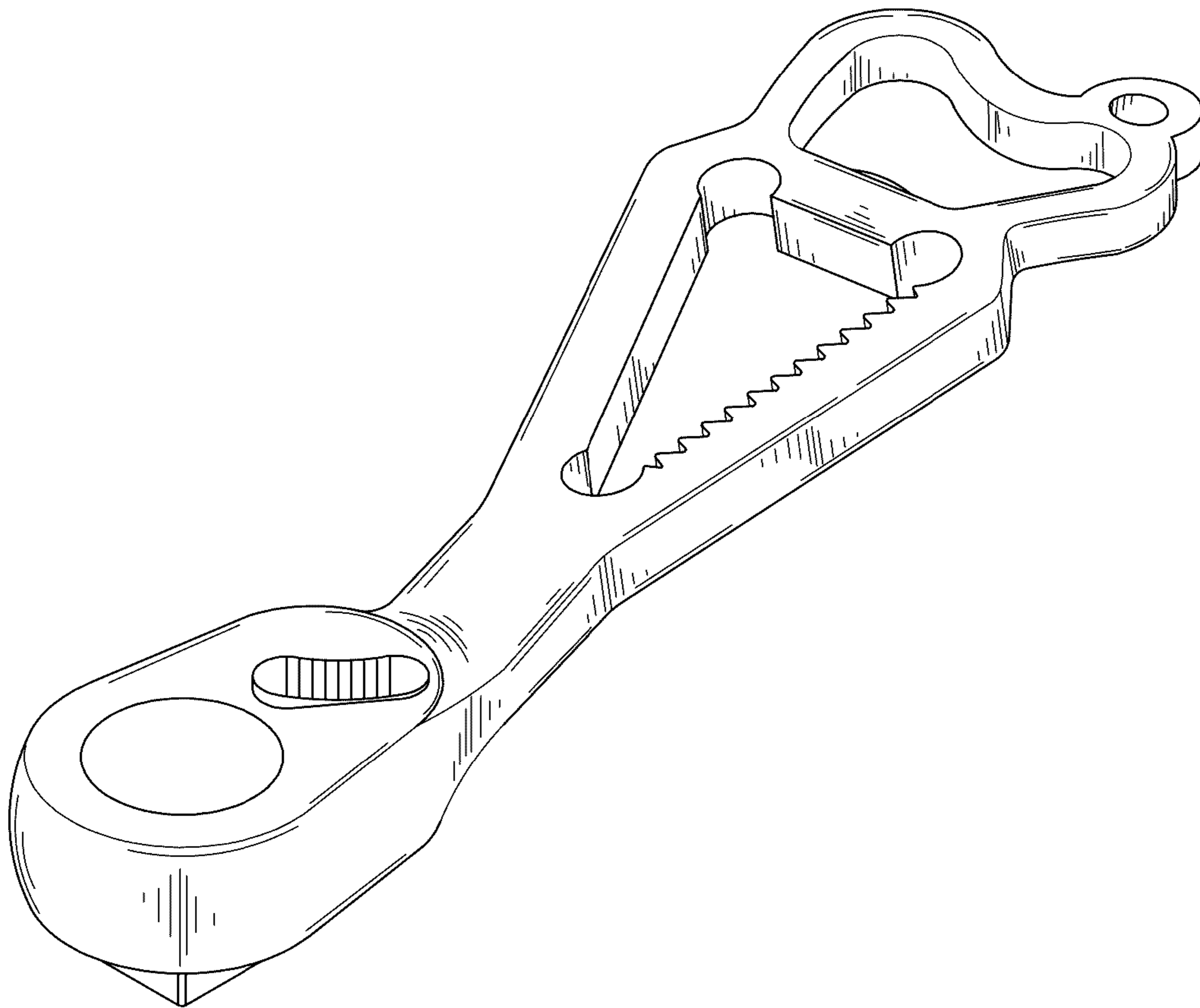


FIG.1

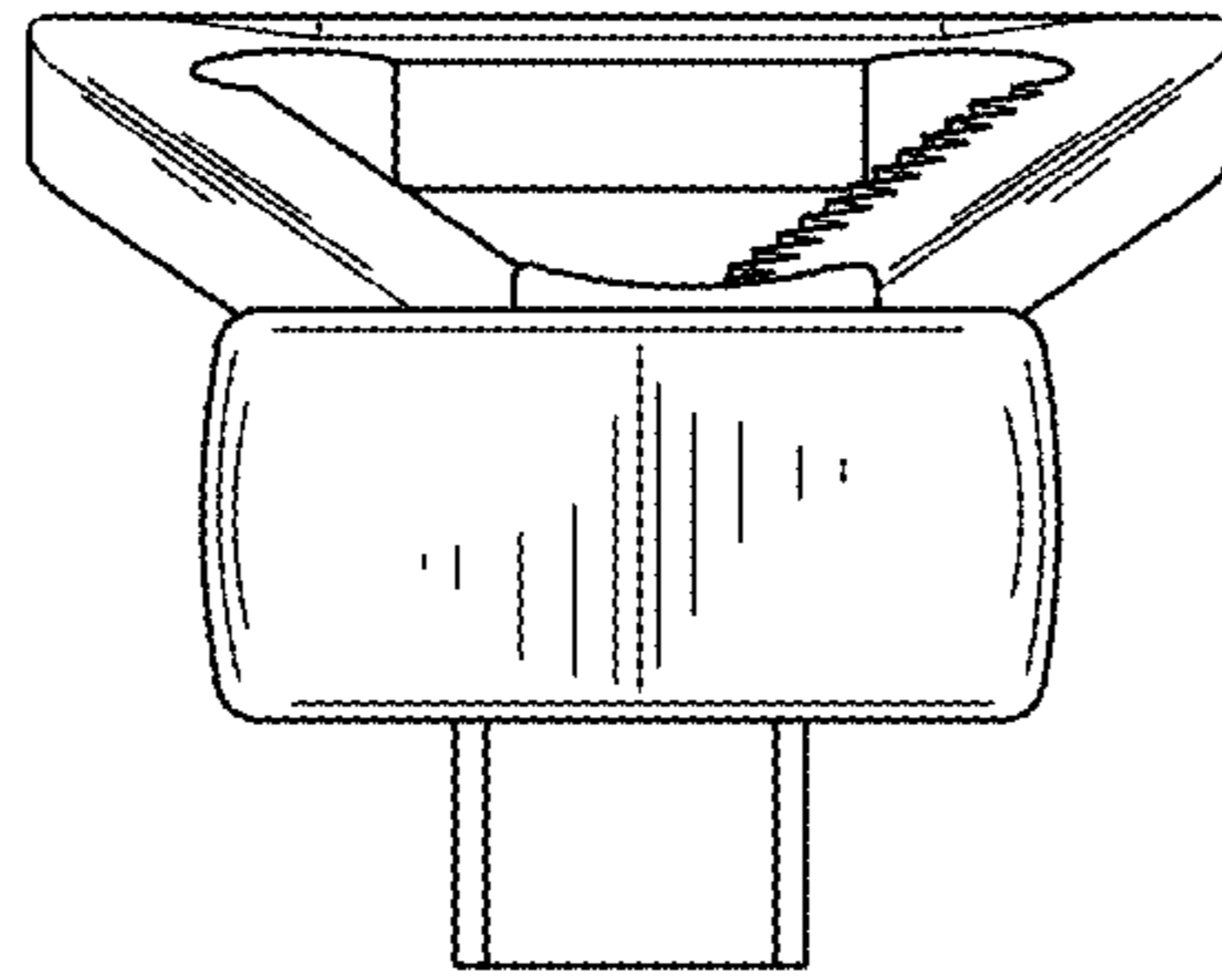


FIG.2

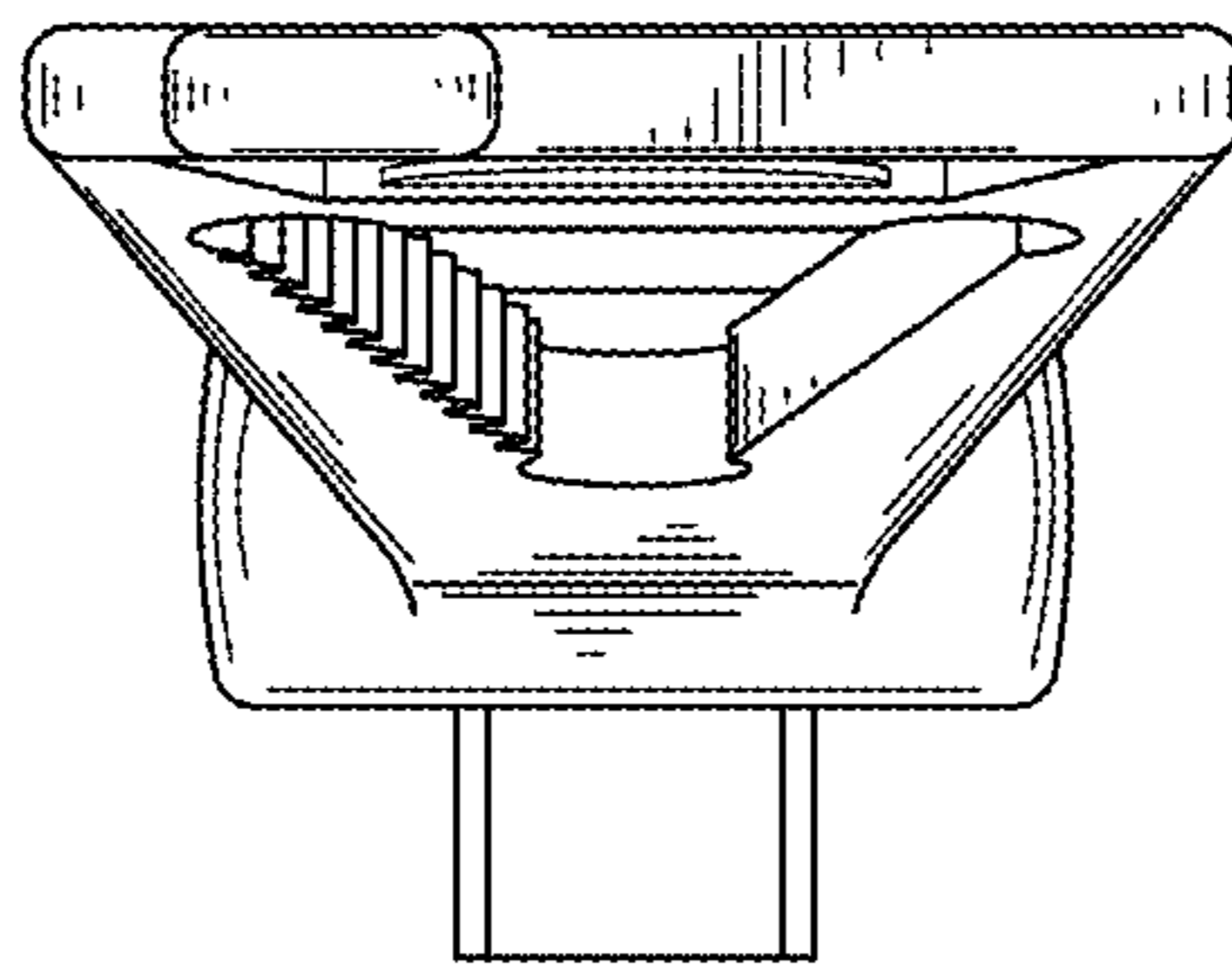


FIG.3

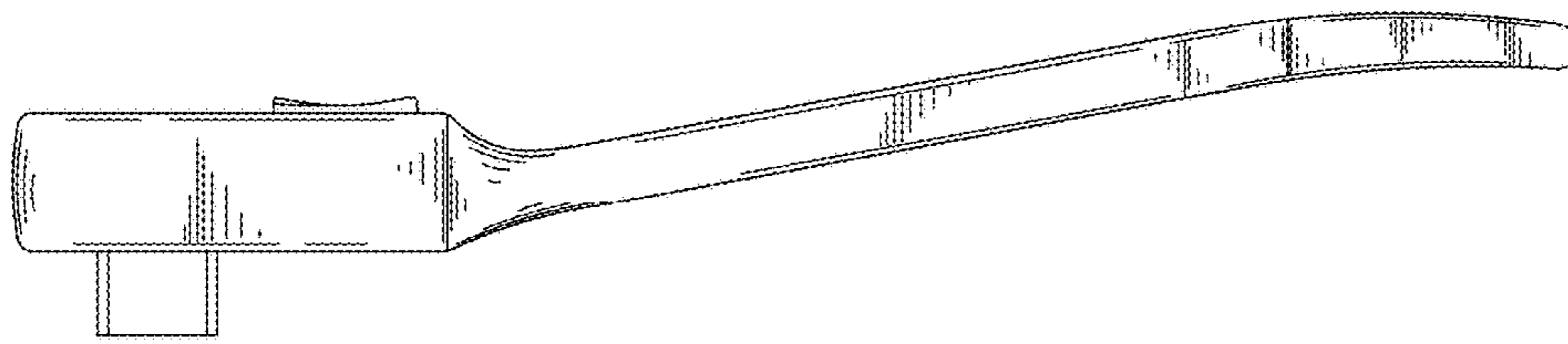


FIG.4

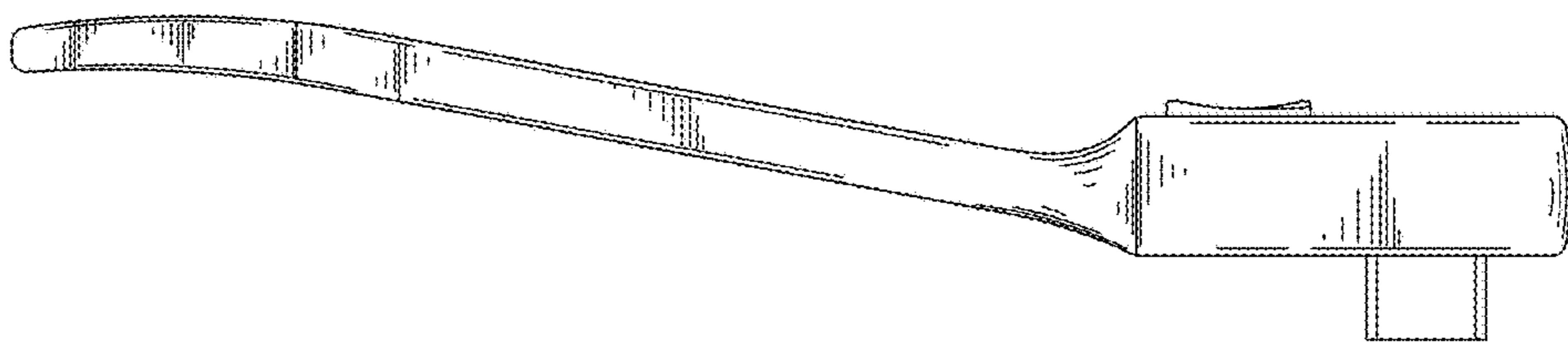


FIG.5

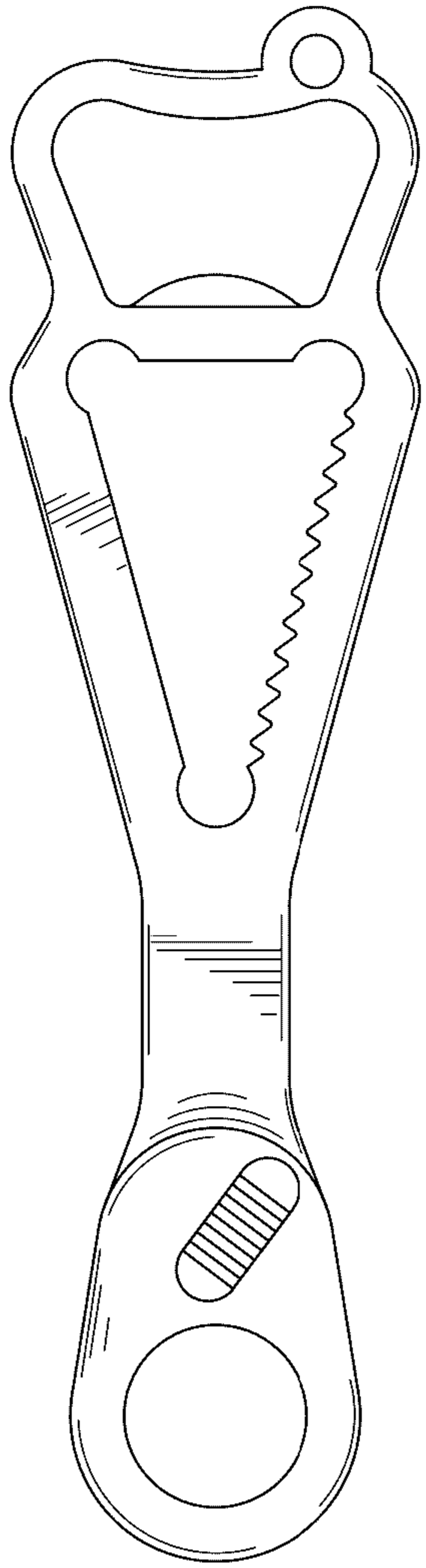


FIG.6

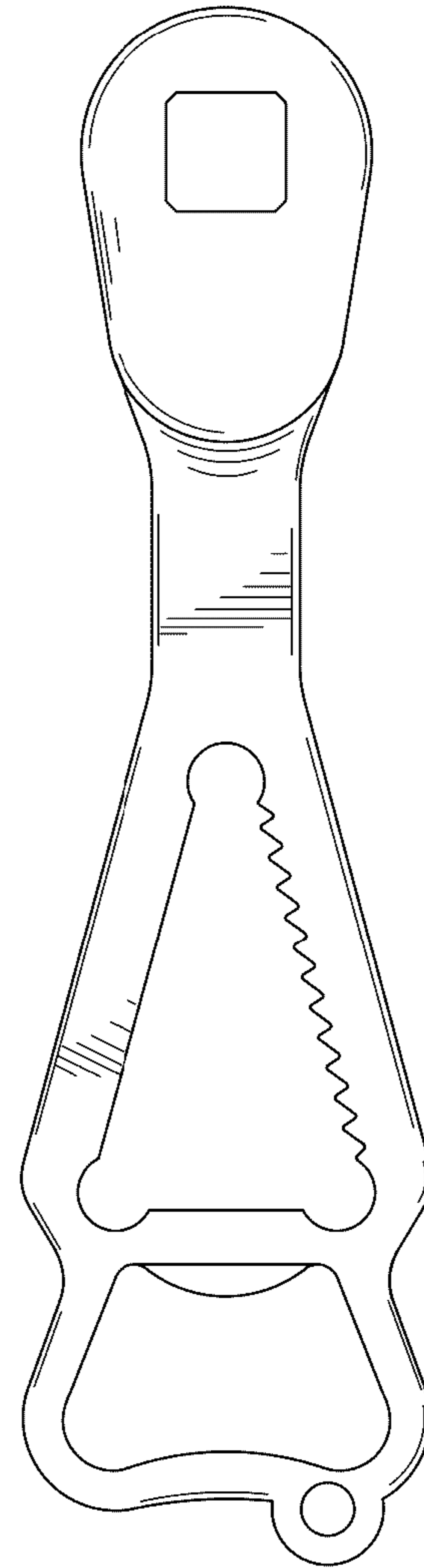


FIG.7