



US00D774369S

(12) **United States Design Patent**
Harris

(10) **Patent No.:** **US D774,369 S**
(45) **Date of Patent:** **** Dec. 20, 2016**

(54) **PORTABLE BEVERAGE HOLDER**

8,230,697 B2 * 7/2012 Lavallee F25D 3/08
62/457.7

(71) Applicant: **BUDDY PRODUCTS, INC.**, Fort
Lauderdale, FL (US)

* cited by examiner

(72) Inventor: **Norman E. Harris**, West Palm Beach,
FL (US)

Primary Examiner — Terry Wallace

(73) Assignee: **BUDDY PRODUCTS, INC.**, Fort
Lauderdale, FL (US)

(74) *Attorney, Agent, or Firm* — Tucker Law, P.A.;
Matthew Sean Tucker

(**) Term: **15 Years**

(57) **CLAIM**

(21) Appl. No.: **29/527,452**

The ornamental design for a portable beverage holder, as
shown and described.

(22) Filed: **May 19, 2015**

DESCRIPTION

(51) **LOC (10) Cl.** **07-06**

(52) **U.S. Cl.**
USPC **D7/708**

(58) **Field of Classification Search**
USPC D7/603–608, 701–708, 550.1,
D7/553.1–554.4
CPC F25D 3/08; F25D 31/002; F25D 31/006;
F25D 31/007; F25D 31/008; A45C 11/20;
A61J 1/165; A47G 19/2288
See application file for complete search history.

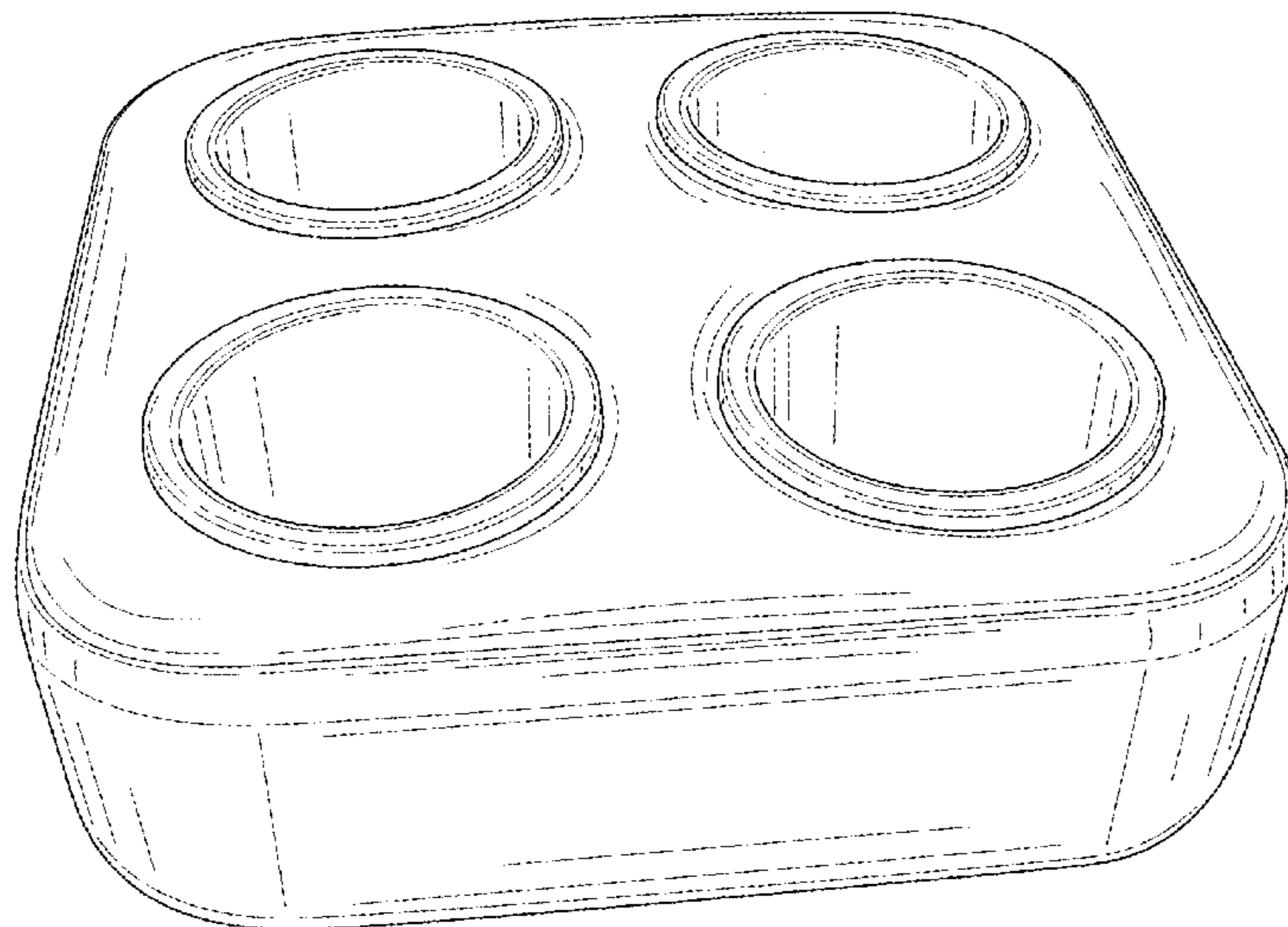
FIG. 1 is a top perspective view of a first embodiment of a
portable beverage holder for holding beverages showing my
design;
FIG. 2 is a bottom perspective view of a first embodiment of
a portable beverage holder;
FIG. 3 is a top view of a first embodiment of a portable
beverage holder;
FIG. 4 is a bottom view of a first embodiment of a portable
beverage holder;
FIG. 5 is a front side view of a first embodiment of a portable
beverage holder, with the right side, left side and back side
views being mirror images of the front side view thereof;
FIG. 6 is a top perspective view of a second embodiment of
a portable beverage holder for holding beverages showing
my design;
FIG. 7 is a top view of a second embodiment of a portable
beverage holder;
FIG. 8 is a bottom view of a second embodiment of a
portable beverage holder; and,
FIG. 9 is a front side view of a second embodiment of a
portable beverage holder, with the right side, left side and
back side views being mirror images of the front side view
thereof.

(56) **References Cited**

U.S. PATENT DOCUMENTS

5,924,303	A *	7/1999	Hodosh	A45C 11/20 220/592.17
5,934,099	A *	8/1999	Cook	A61J 1/165 206/570
6,044,650	A *	4/2000	Cook	A61J 1/165 62/130
6,446,460	B1 *	9/2002	Rosenberg	A47G 19/2288 62/371
6,851,276	B2 *	2/2005	Perrins	A45C 11/20 62/371
7,805,959	B2 *	10/2010	Webb	F25D 3/08 62/457.3
7,861,552	B1 *	1/2011	Hughes	A45C 11/20 62/371

1 Claim, 9 Drawing Sheets



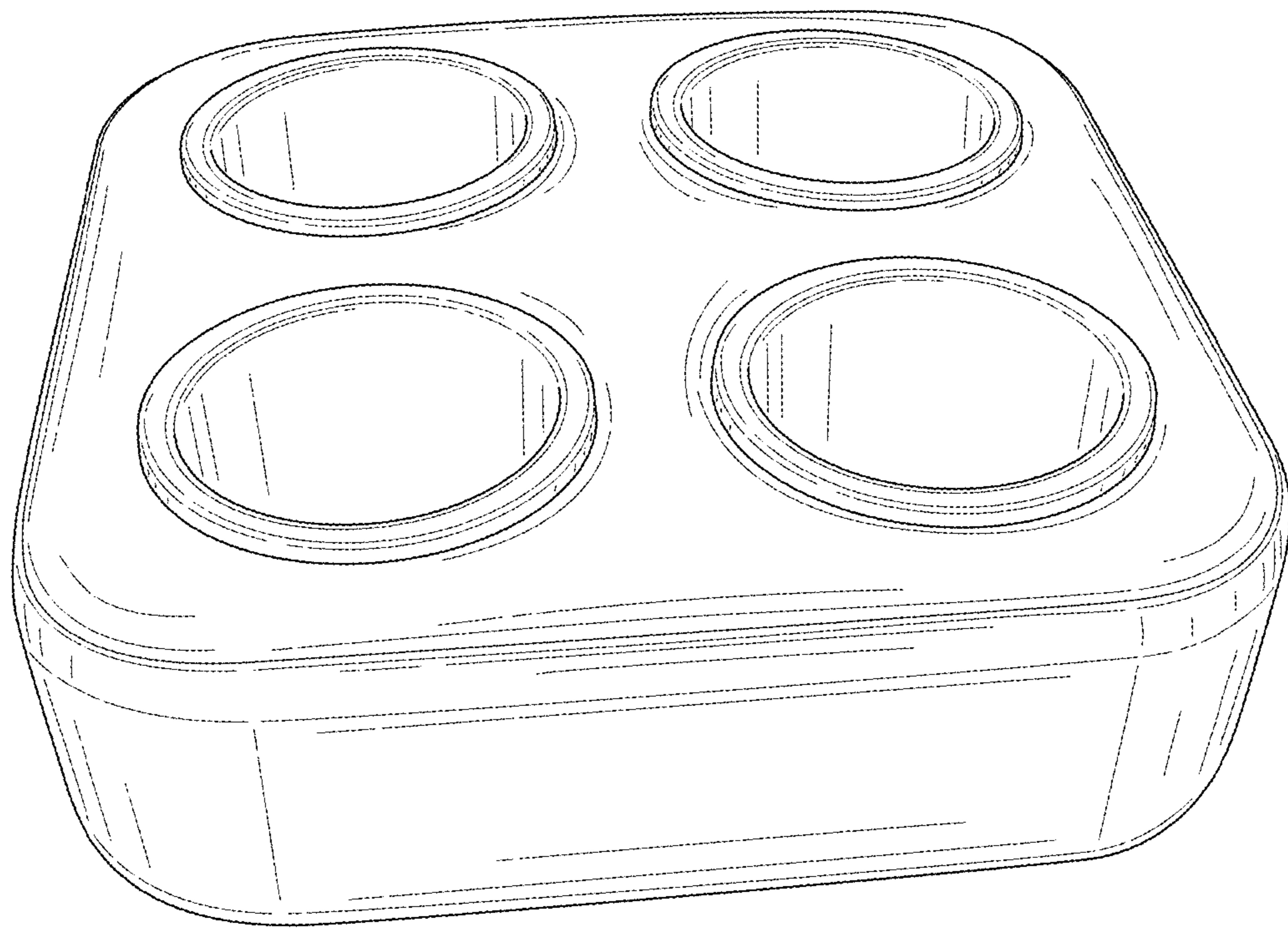


FIG. 1

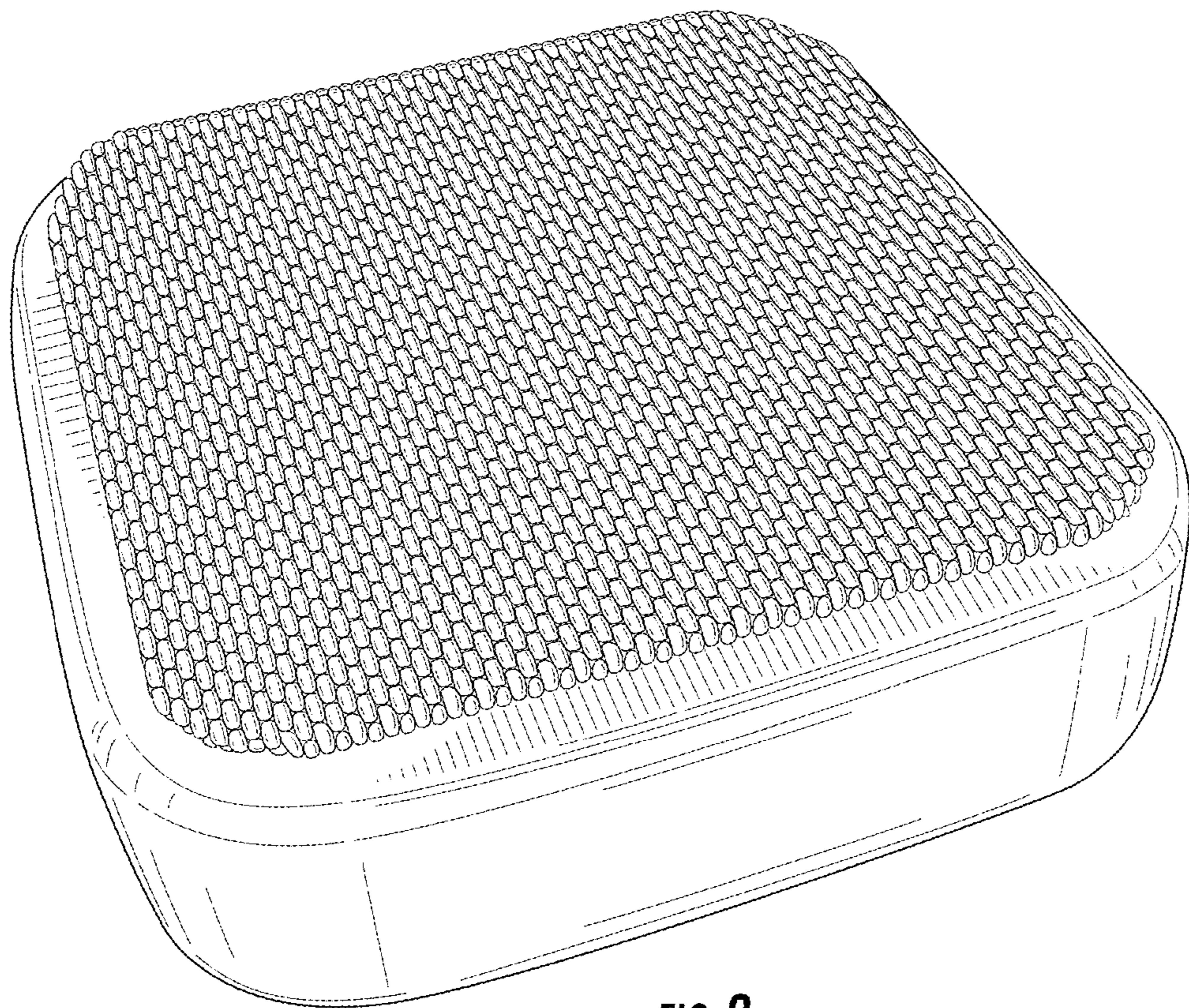


FIG. 2

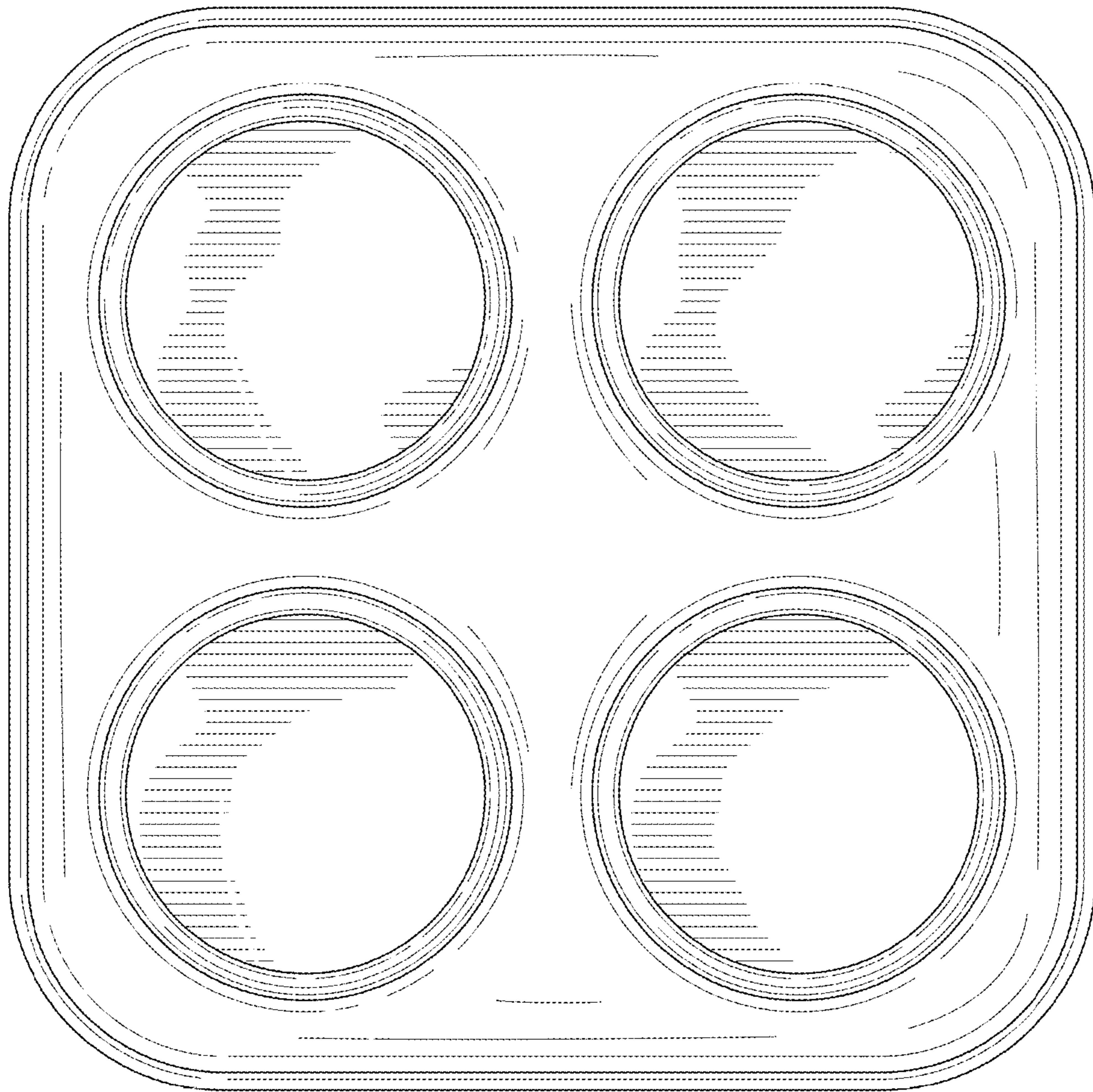


FIG. 3

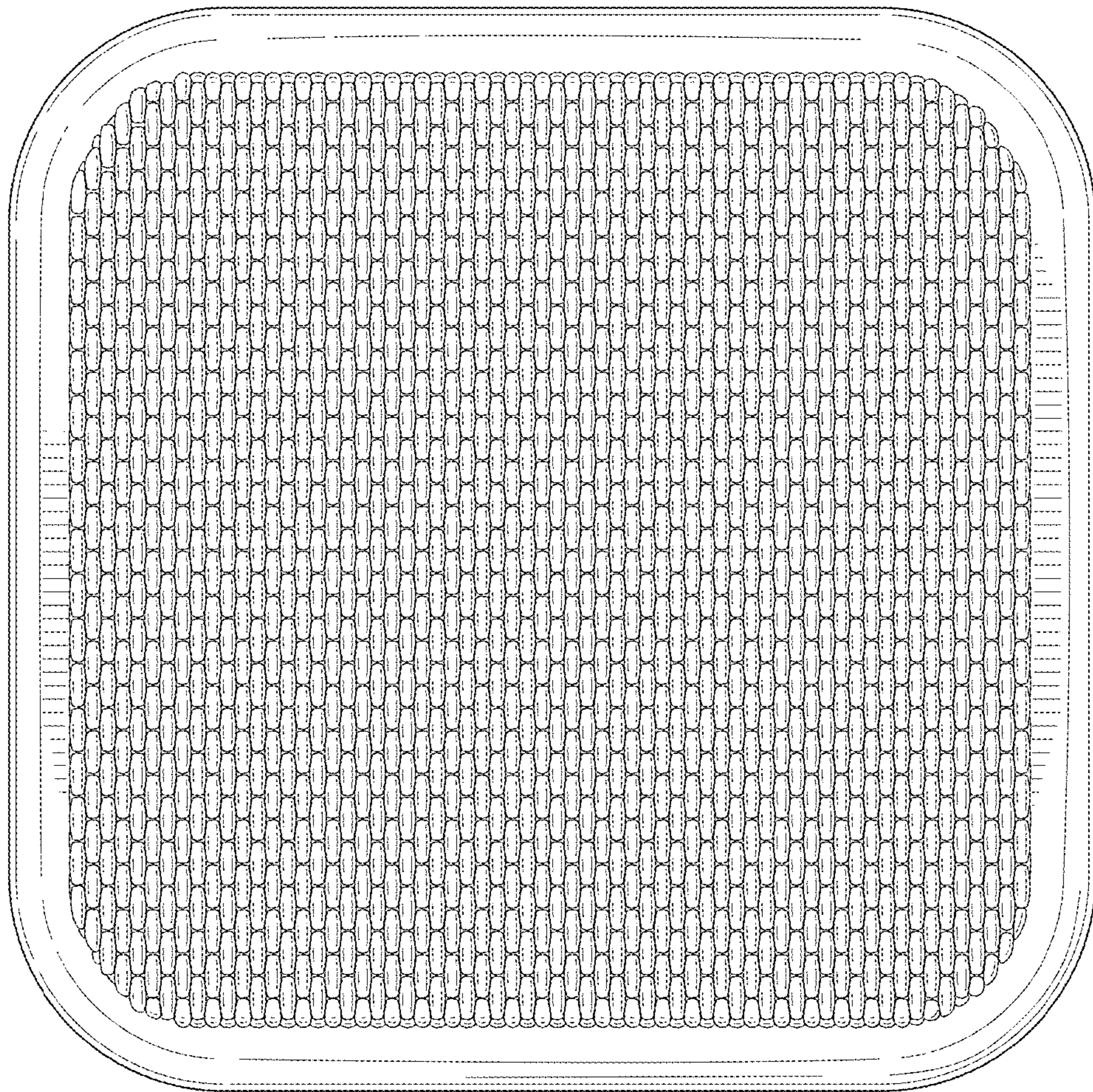


FIG. 4

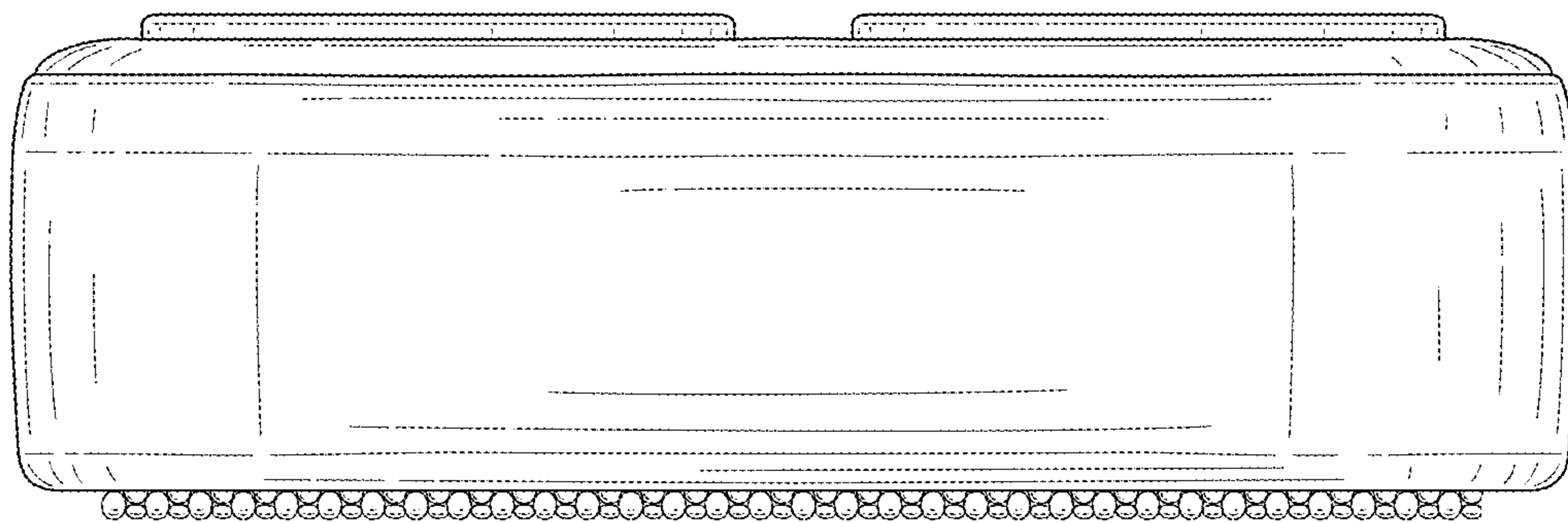


FIG. 5

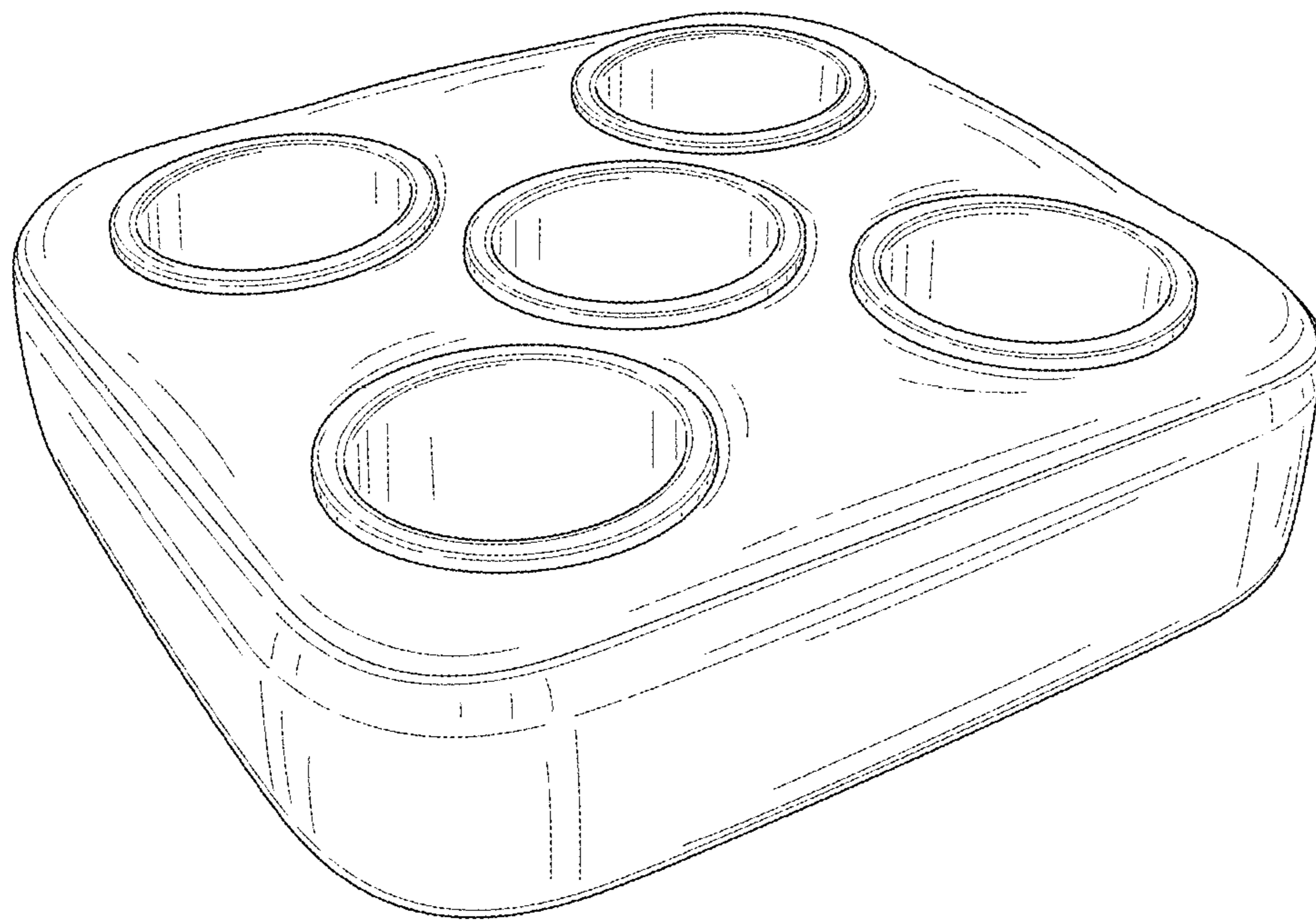


FIG. 6

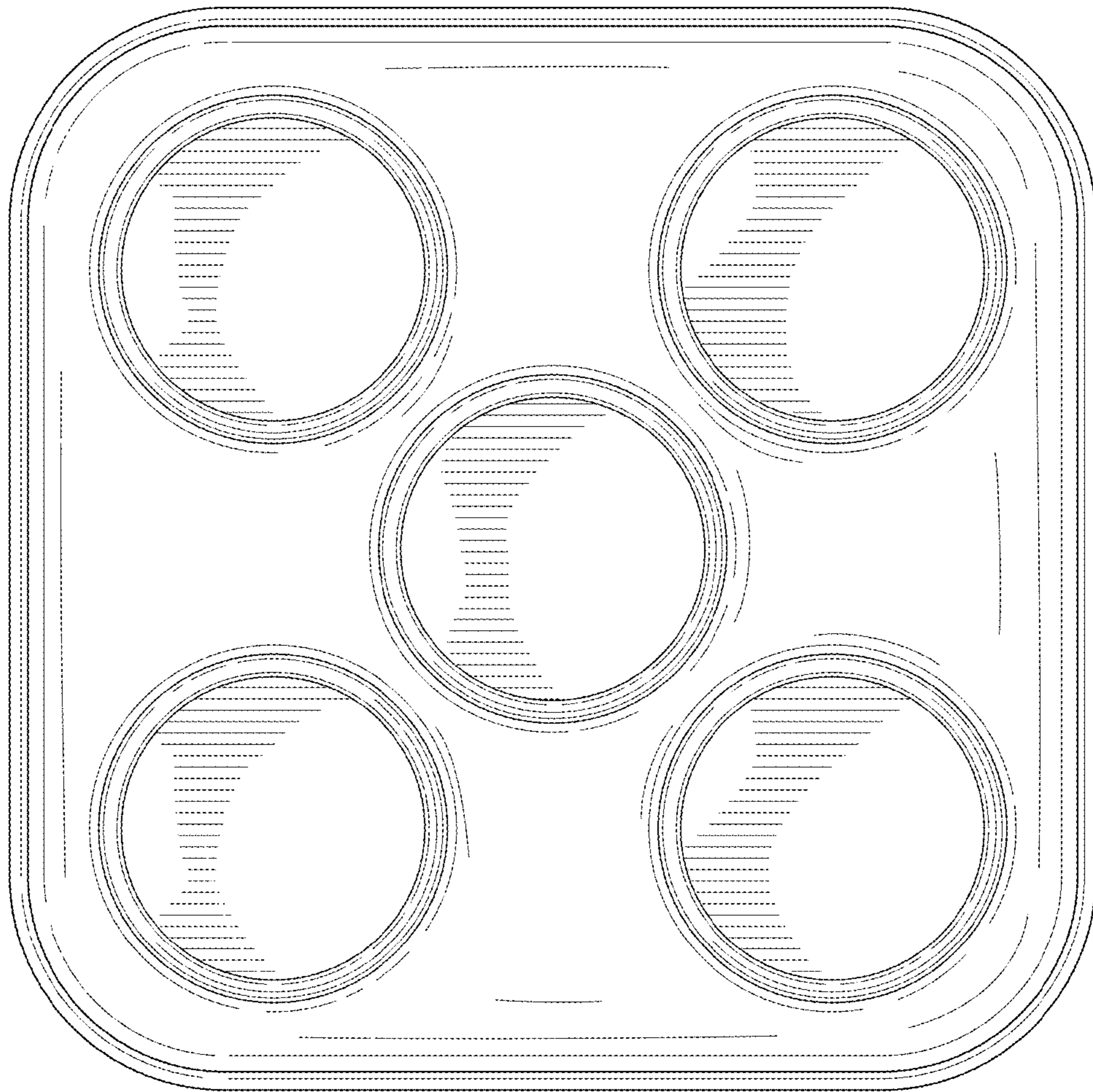


FIG. 7

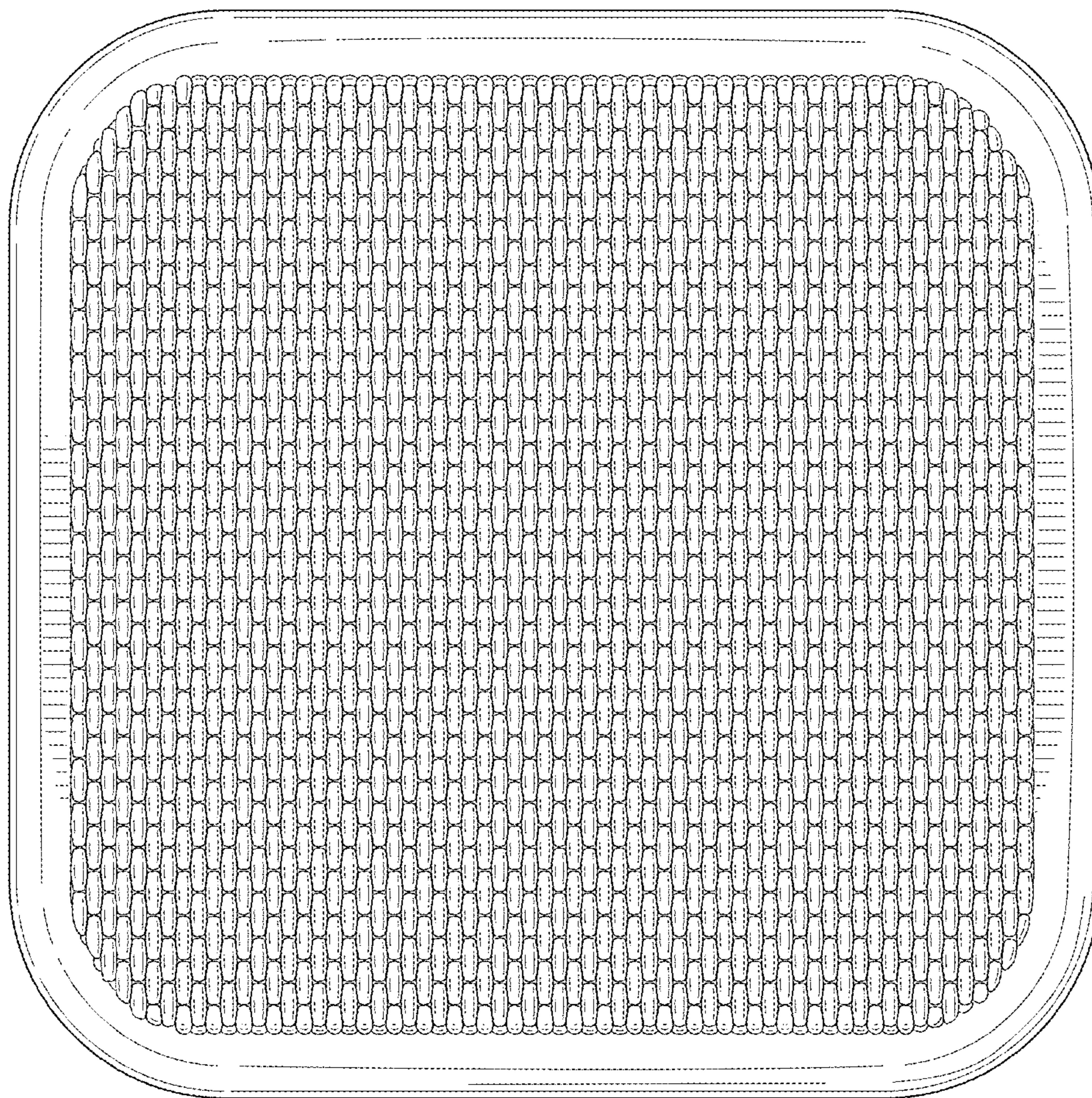


FIG. 8

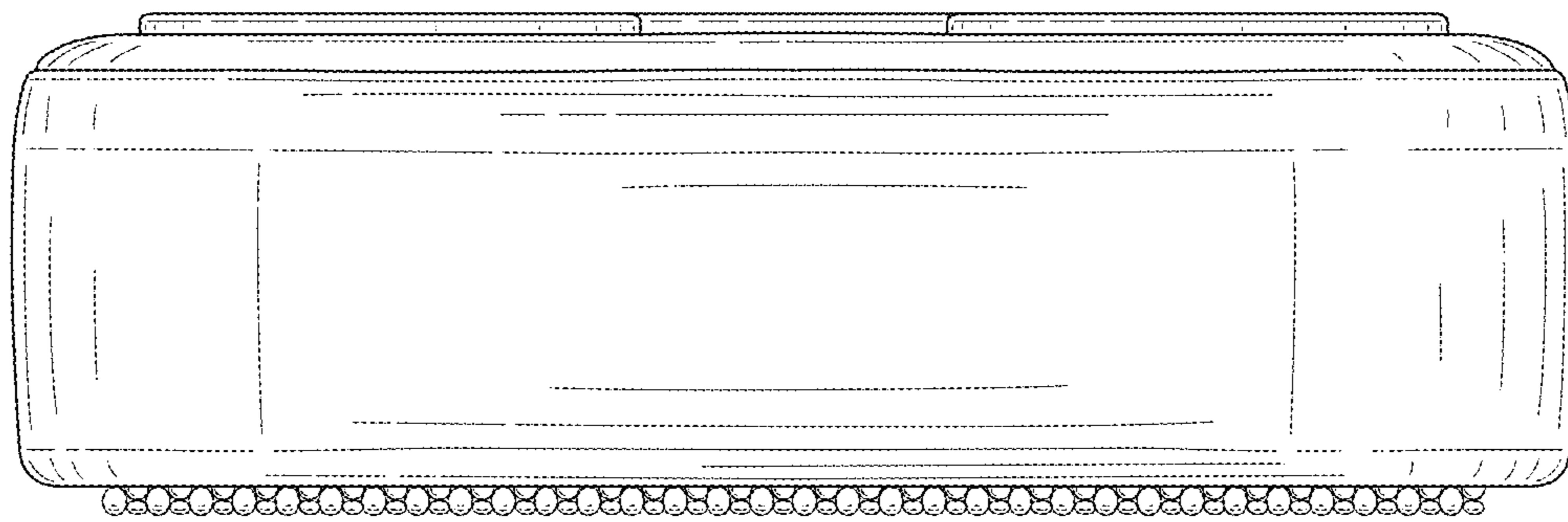


FIG. 9