



US00D774368S

(12) **United States Design Patent**
Gresham

(10) **Patent No.:** **US D774,368 S**

(45) **Date of Patent:** **** Dec. 20, 2016**

(54) **BEVERAGE HOLDER**

(71) Applicant: **Stubby Strip Pty Ltd**, Pyrmont, New South Wales (AU)

(72) Inventor: **Brett Gresham**, Plympton (AU)

(73) Assignee: **Stubby Strip Pty Ltd**, New South Wales (AU)

(**) Term: **14 Years**

(21) Appl. No.: **29/510,157**

(22) Filed: **Nov. 25, 2014**

(30) **Foreign Application Priority Data**

May 29, 2014 (AU) 12635/2014

(51) **LOC (10) Cl.** **07-06**

(52) **U.S. Cl.**
USPC **D7/701**

(58) **Field of Classification Search**

USPC D6/514; D7/505, 553.6, 600.1, 605, 608,
D7/701, 708; D9/740, 753; D24/230;
D28/73

CPC A45C 11/20; B01L 9/06; B65D 71/00;
B65D 71/0022; B65D 71/16

See application file for complete search history.

(56) **References Cited**

U.S. PATENT DOCUMENTS

D169,472 S * 5/1953 Bruce 206/160
2,751,075 A * 6/1956 Arneson B65D 71/16
206/154
3,202,313 A * 8/1965 Wainberg B65D 71/0022
206/176
3,233,730 A * 2/1966 Winters B65D 71/16
206/159

D395,007 S * 6/1998 Miller D9/431
D396,133 S * 7/1998 Stein D28/73
2006/0124492 A1 * 6/2006 Godshaw A45C 11/20
206/428

OTHER PUBLICATIONS

Brett Gresham—YouTube, The Stubby Strip Vino, Jun. 16, 2014, [date visited Feb. 8, 2016], Available on the Internet URL:<<https://www.youtube.com/watch?v=v2KOBzMXihA>>.*

The Stubby Strip, Lime Stubby Strip Vino, Publication date unknown, [site visited Feb. 8, 2016], Available on the Internet URL:<<http://stubbystrip.com.au/stubby%20vino%20Lime>>.*

* cited by examiner

Primary Examiner — Susan Bennett Hattan

Assistant Examiner — Bryan Reinholdt, Jr.

(74) *Attorney, Agent, or Firm* — Dority & Manning, P.A.

(57) **CLAIM**

The ornamental design for a beverage holder, as shown and described.

DESCRIPTION

FIG. 1 is a perspective view in a fully assembled configuration showing my new design;

FIG. 2 is a top view in a fully assembled configuration thereof.

FIG. 3 is a front view in a fully assembled configuration thereof;

FIG. 4 is a right side view in a fully assembled configuration thereof;

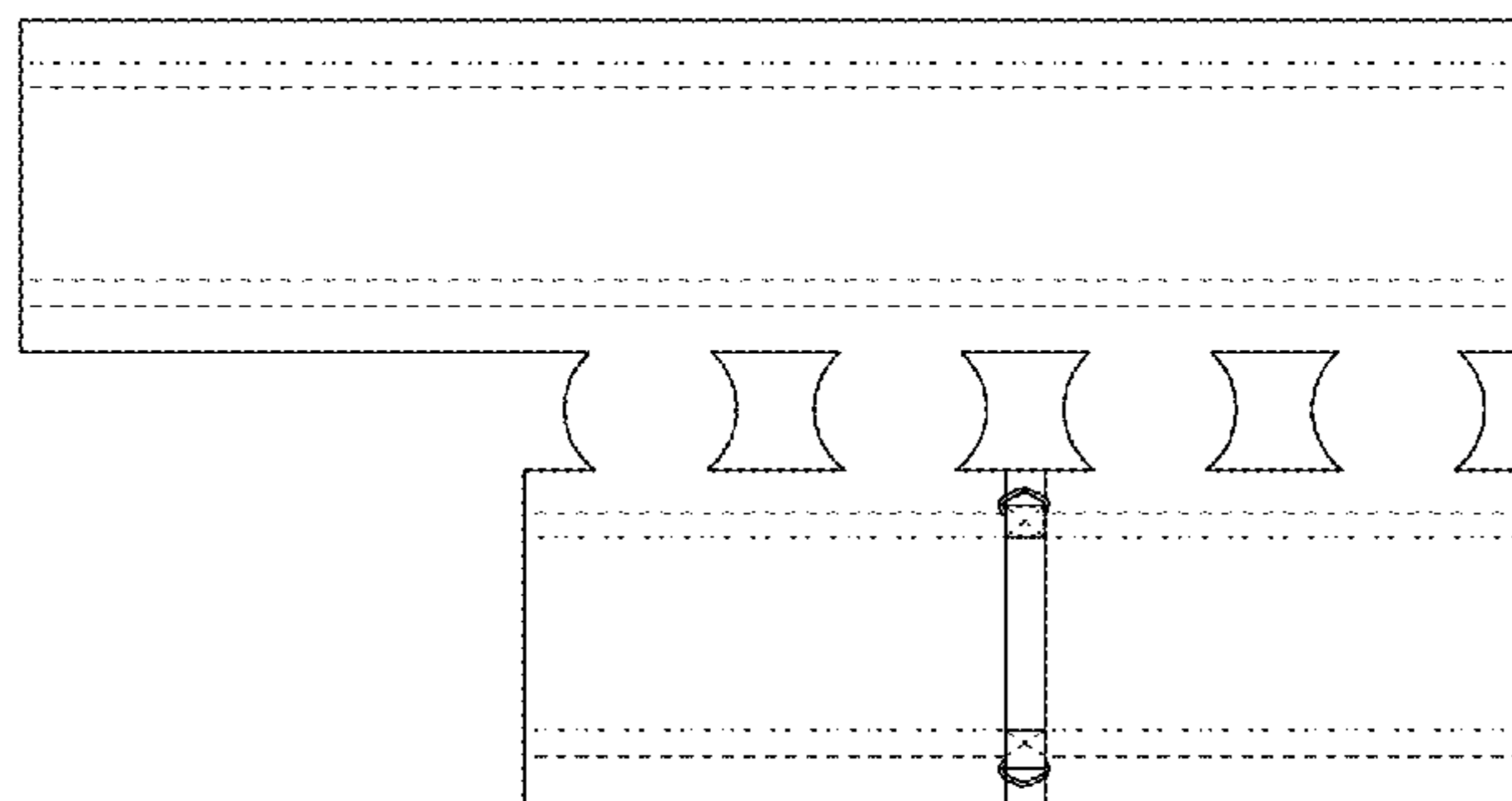
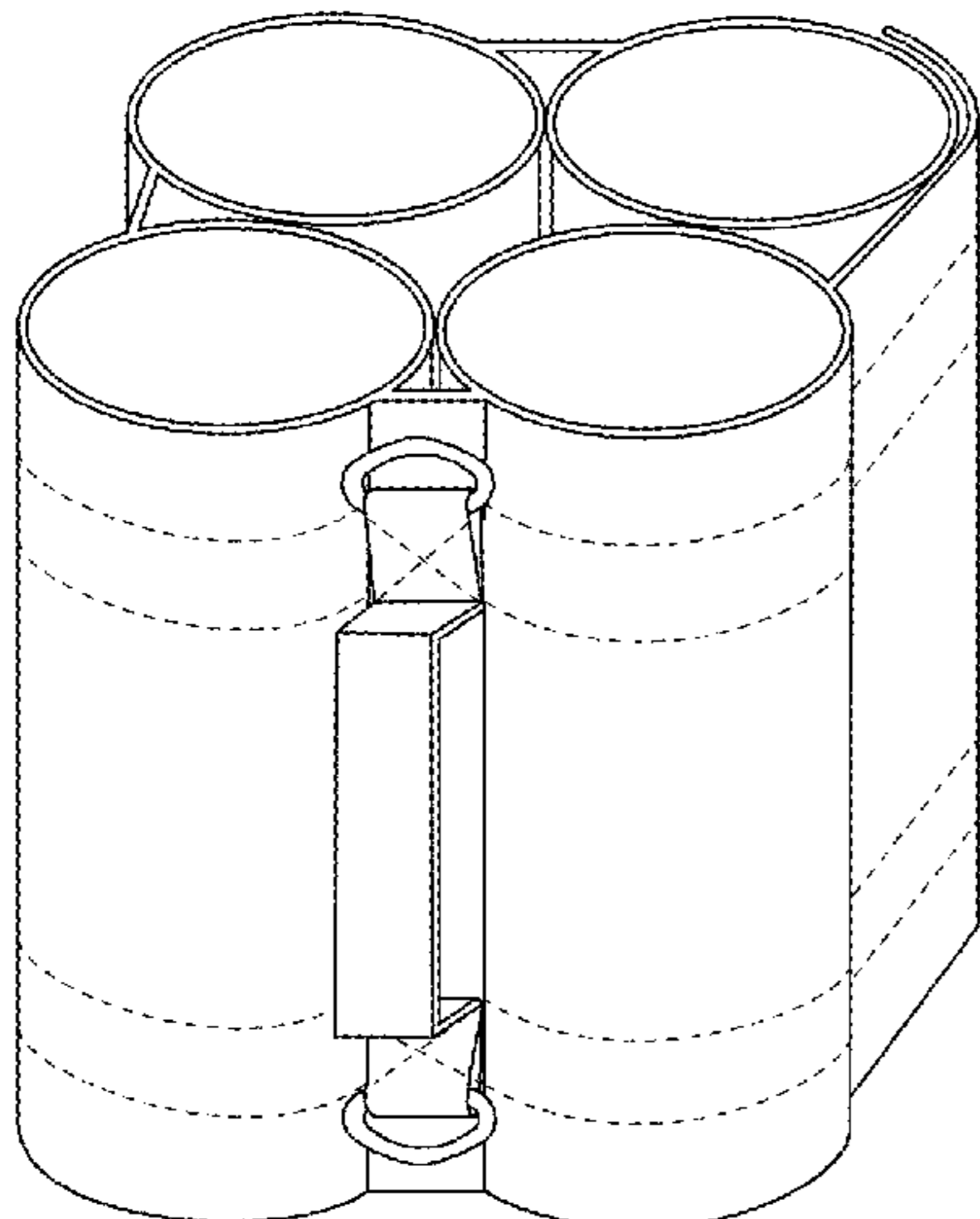
FIG. 5 is a front view in a partially assembled configuration thereof;

FIG. 6 is a front plan view in an unassembled configuration thereof; and,

FIG. 7 is a rear plan view in an unassembled configuration thereof.

The broken line portion of the drawings represents stitching that forms no part of the claimed design.

1 Claim, 4 Drawing Sheets



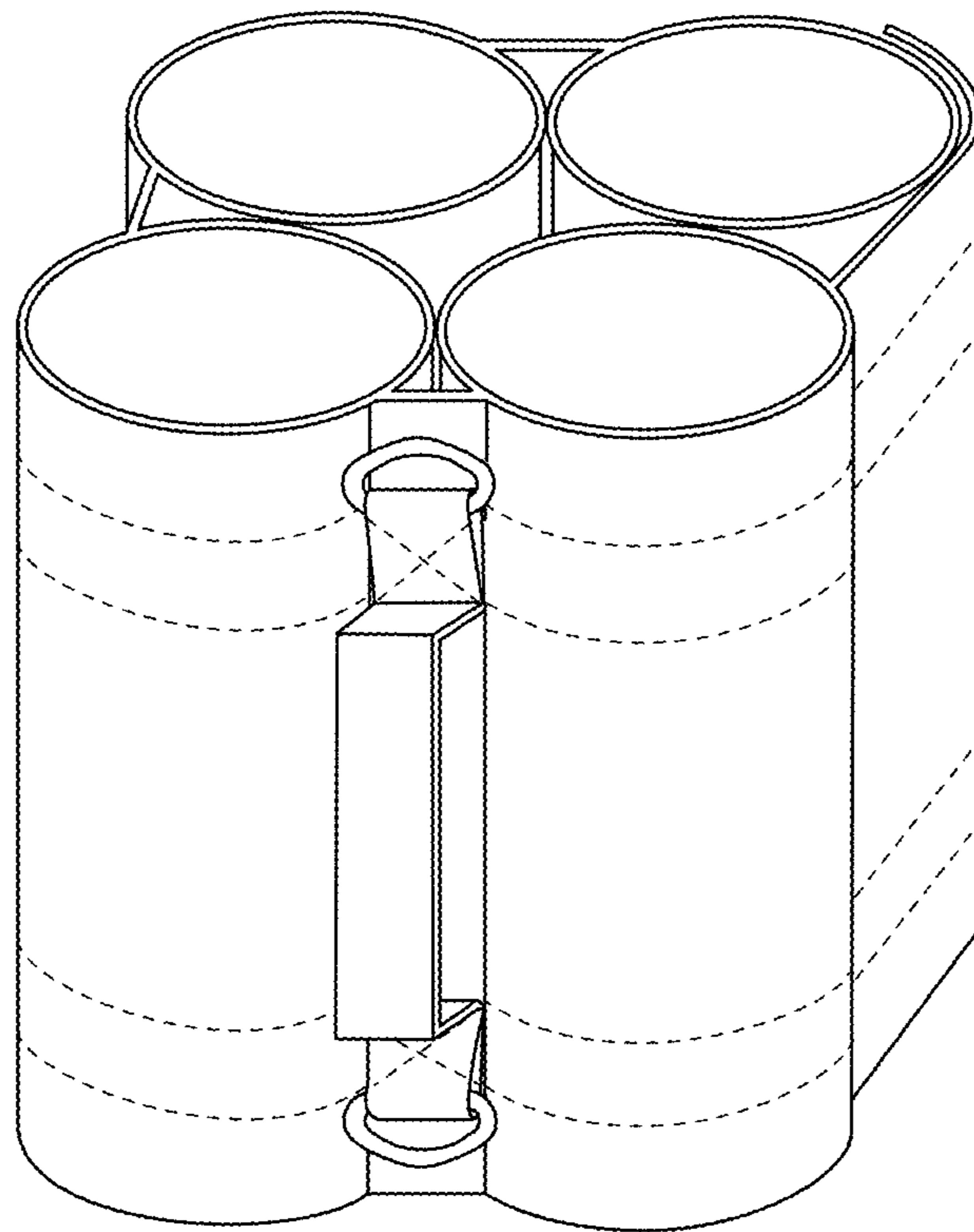


FIG. 1

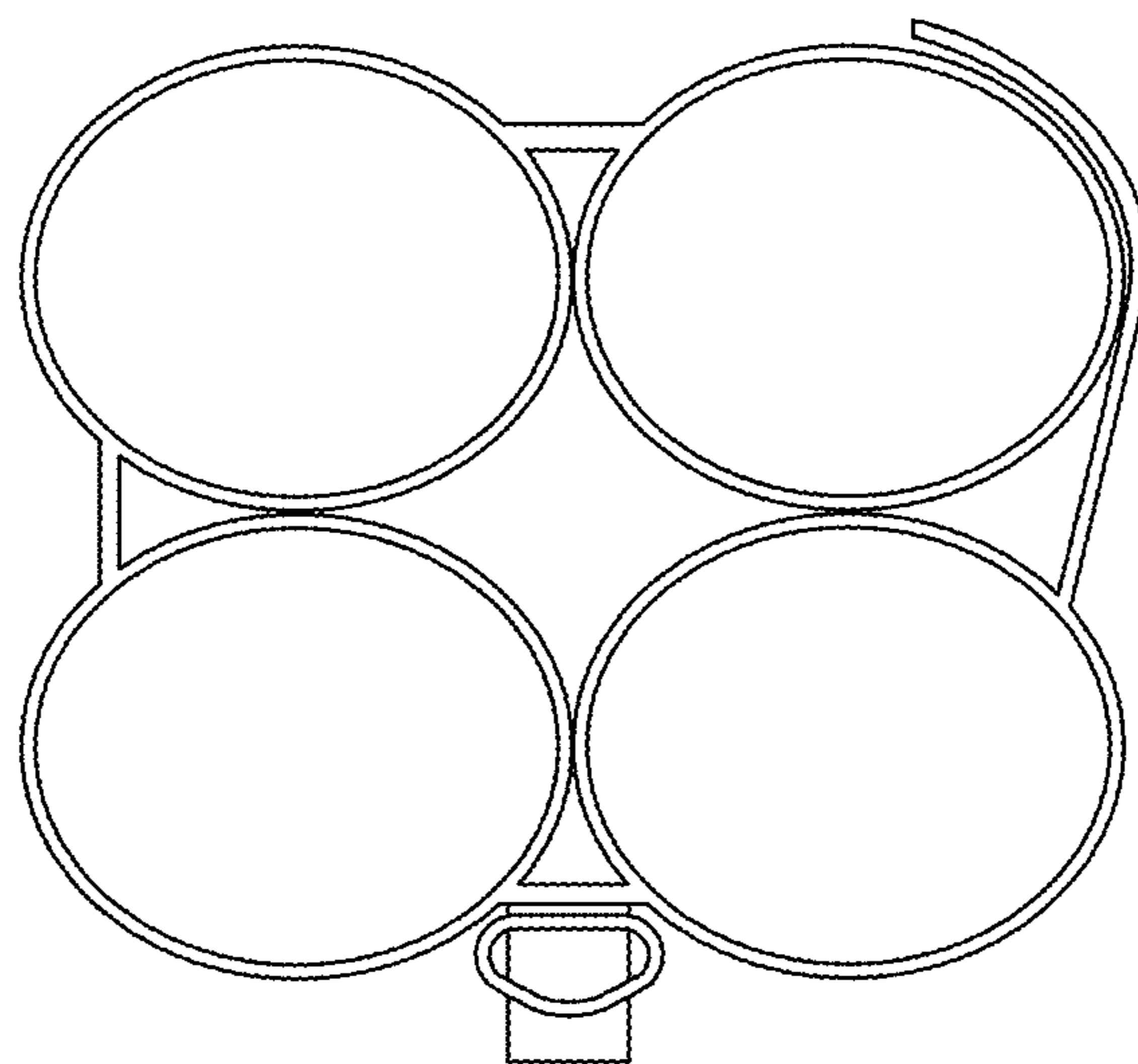


FIG. 2

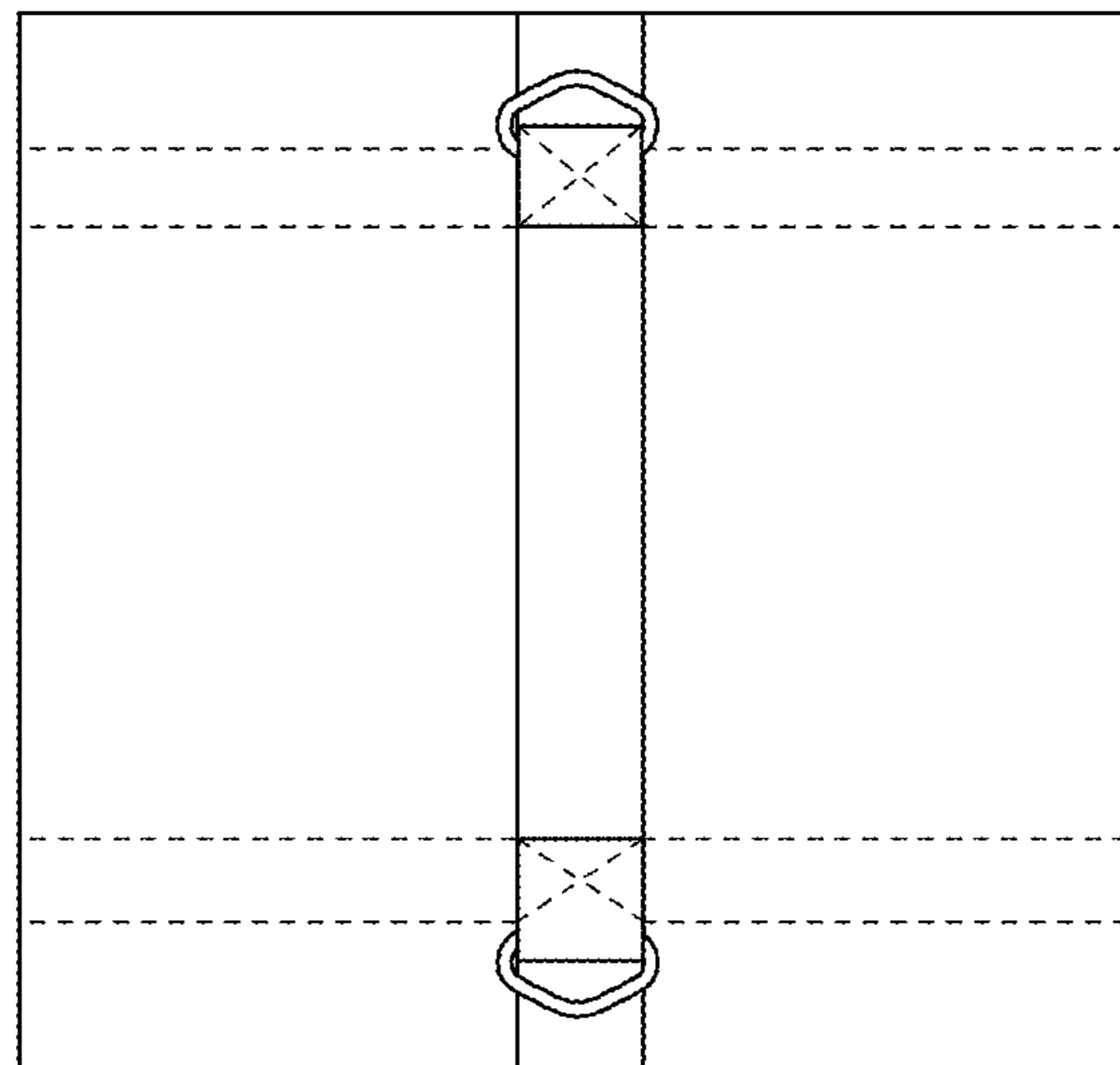


FIG. 3

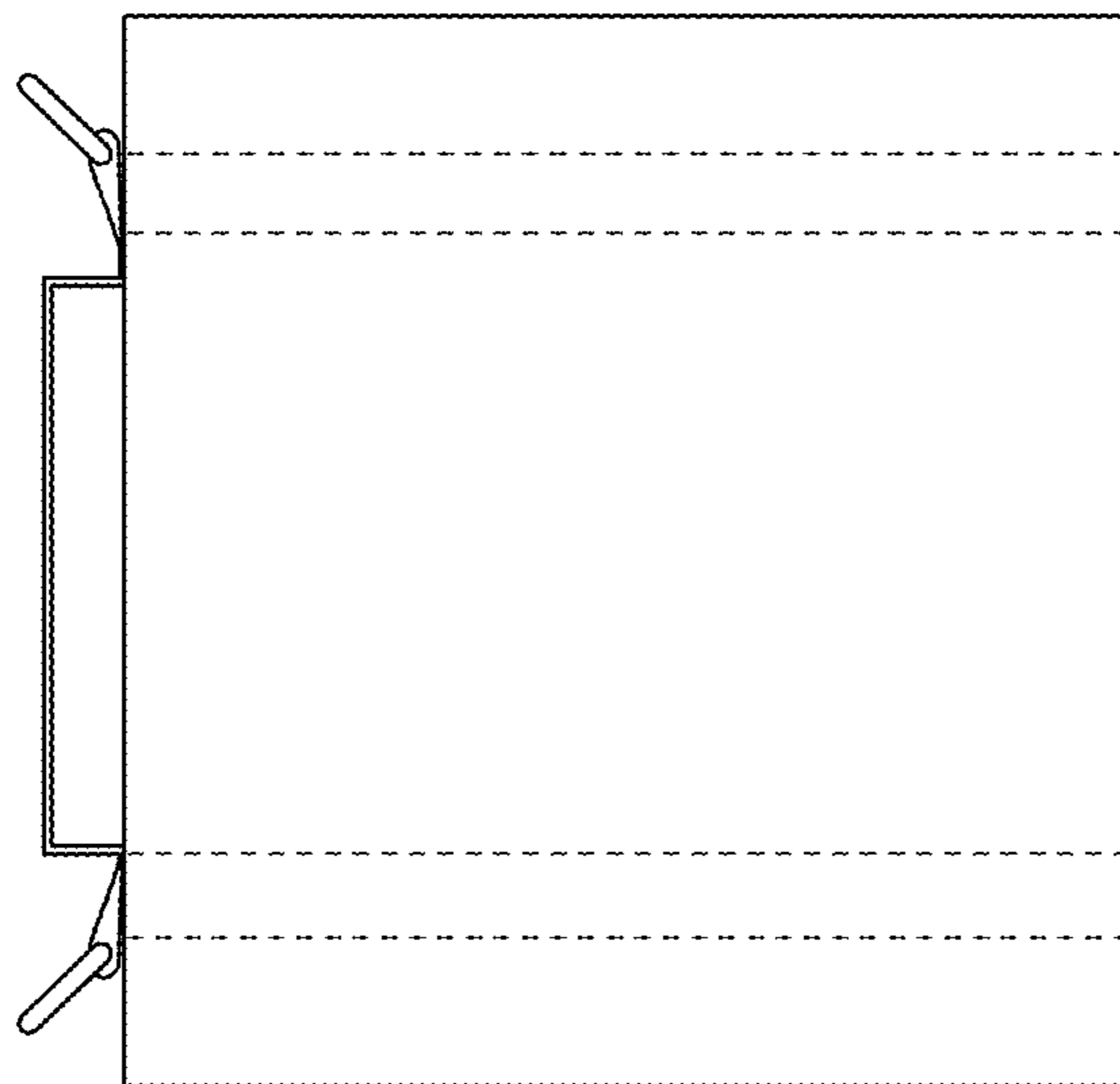


FIG. 4

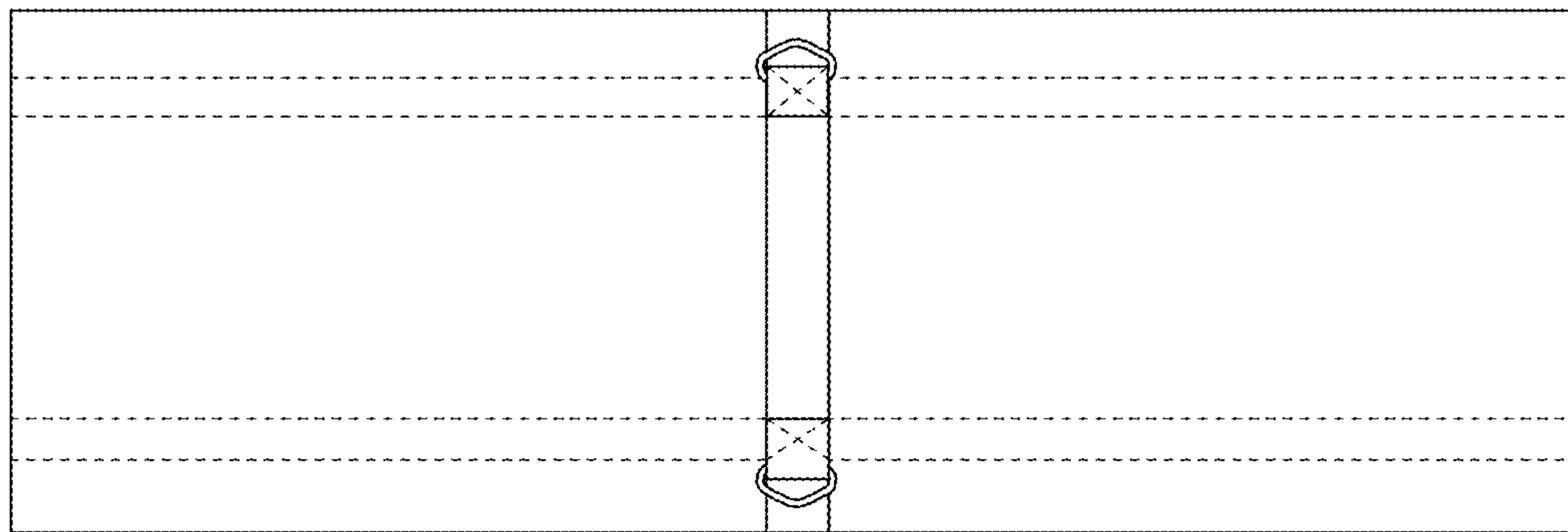


FIG. 5

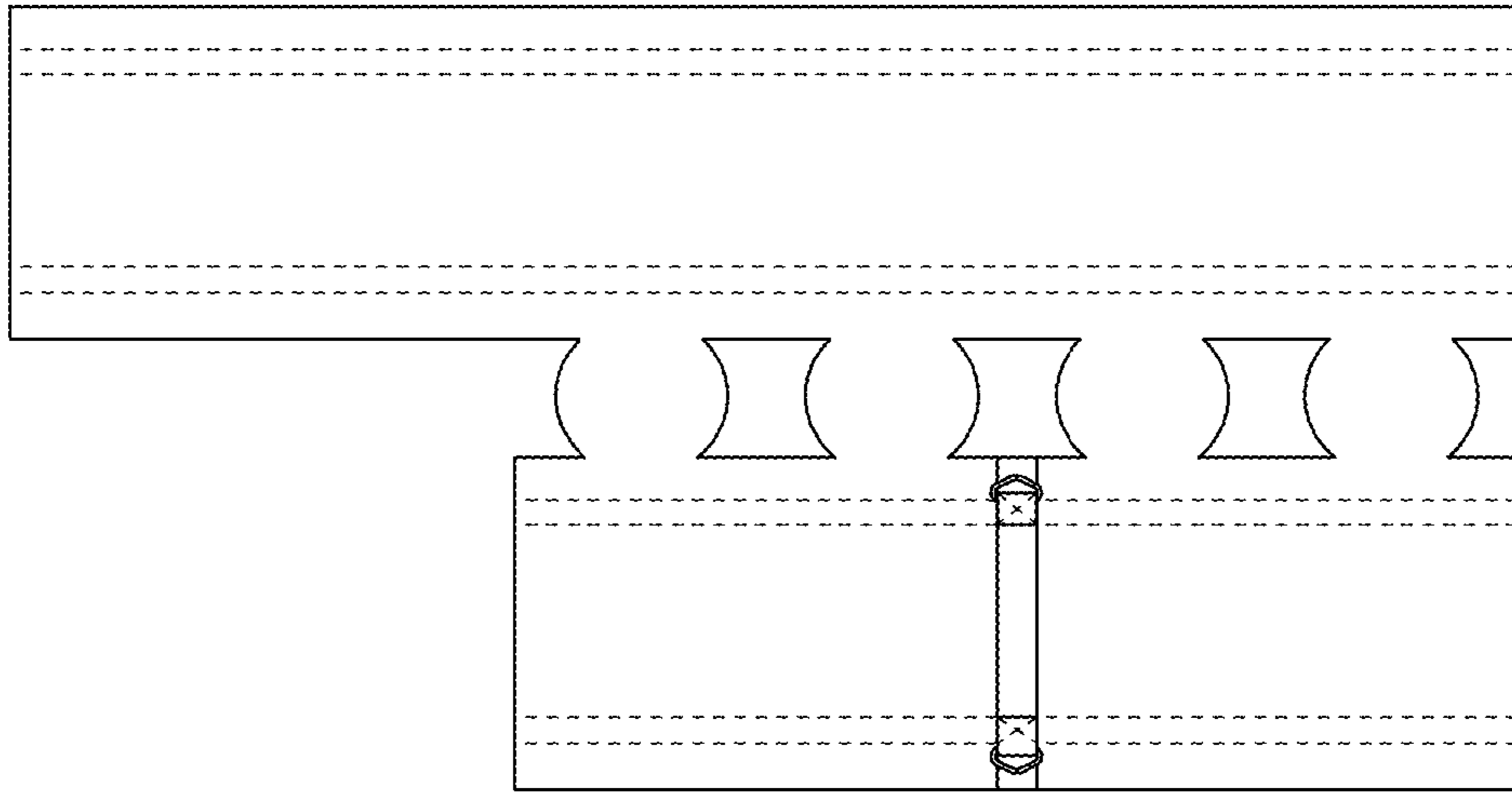


FIG. 6

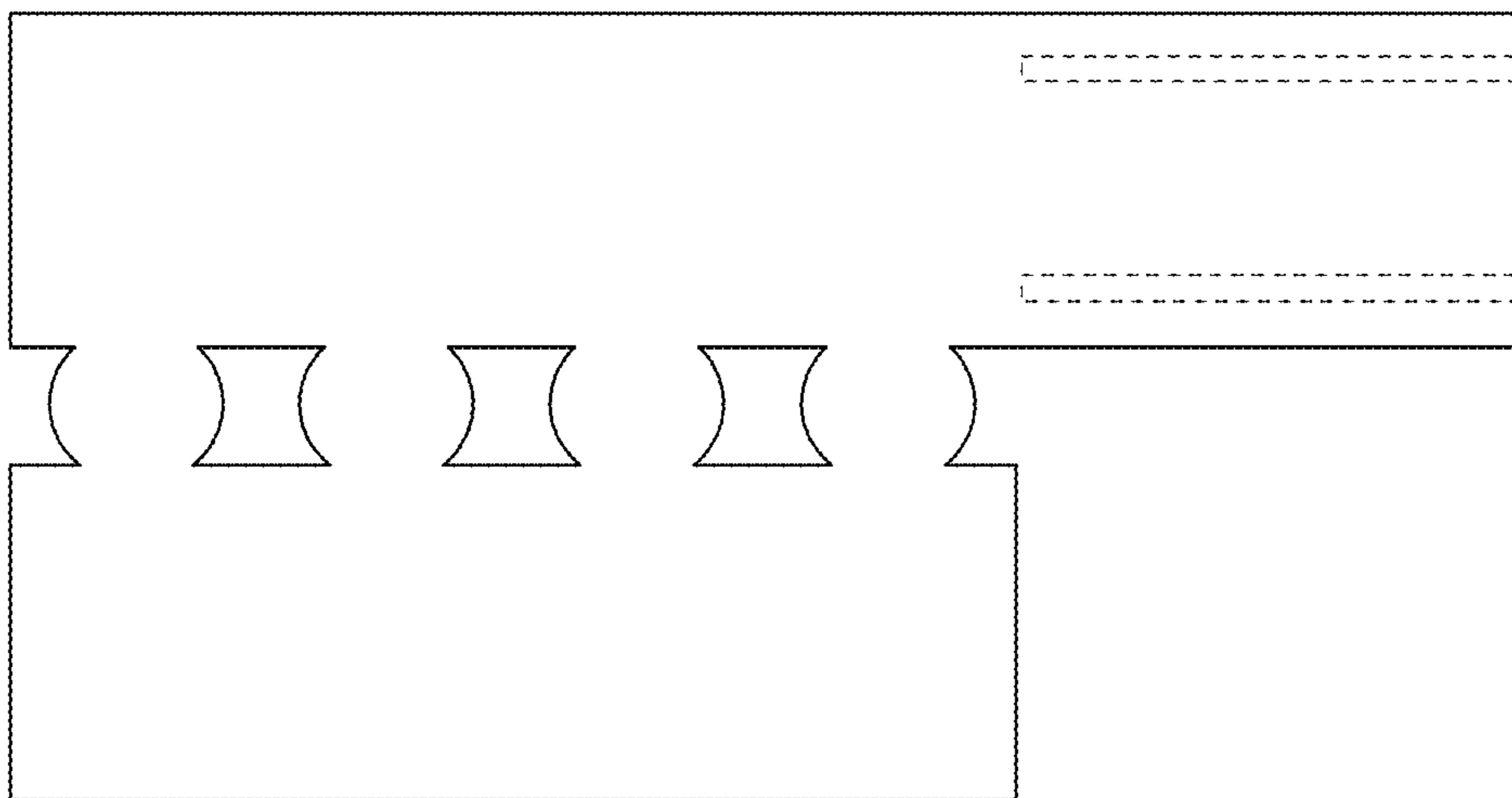


FIG. 7