



US00D774366S

(12) **United States Design Patent** (10) **Patent No.:** **US D774,366 S**
Joseph (45) **Date of Patent:** **** Dec. 20, 2016**

(54) **COMBINED THERMOMETER AND BASTER**

6,575,204 B1 * 6/2003 Godfrey A47J 37/106
141/1

(71) Applicant: **JOSEPH JOSEPH LTD**, London (GB)

D586,672 S * 2/2009 Sholley D10/57
D689,745 S * 9/2013 Robbins D7/669

(72) Inventor: **Antony Joseph**, London (GB)

* cited by examiner

(73) Assignee: **Joseph Joseph Ltd.**, London (GB)

Primary Examiner — Terry Wallace

(**) Term: **14 Years**

(74) *Attorney, Agent, or Firm* — Millen White Zelano & Branigan, P.C.

(21) Appl. No.: **29/517,589**

(22) Filed: **Feb. 13, 2015**

(57) **CLAIM**

(30) **Foreign Application Priority Data**

The ornamental design for a combined thermometer and baster, as shown and described.

Sep. 26, 2014 (EM) 002546457-0002

(51) **LOC (10) Cl.** **07-06**

DESCRIPTION

(52) **U.S. Cl.**

USPC **D7/669**; D10/52; D10/57

(58) **Field of Classification Search**

USPC D7/368, 669; D10/52, 57

CPC A47J 37/106; B01L 3/021

See application file for complete search history.

FIG. 1 is a top perspective view of the combined thermometer and baster showing my new design.

FIG. 2 is a side view thereof.

FIG. 3 is another side view thereof.

FIG. 4 is another side view thereof.

FIG. 5 is another side view thereof.

FIG. 6 is a top view thereof.

FIG. 7 is a bottom view thereof; and,

FIG. 8 is an exploded perspective view thereof.

The broken lines showing other parts of the combined thermometer and baster form no part of the claimed design.

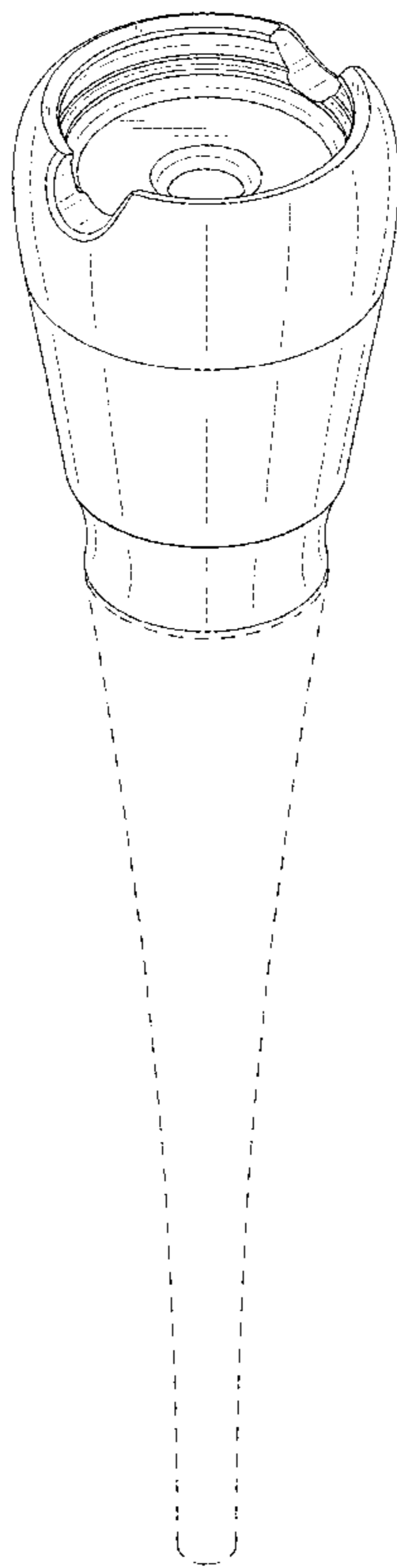
(56) **References Cited**

U.S. PATENT DOCUMENTS

5,787,799 A * 8/1998 Mohrhauser A47J 37/106
222/215

5,875,823 A * 3/1999 Porter A47J 37/106
141/26

1 Claim, 8 Drawing Sheets



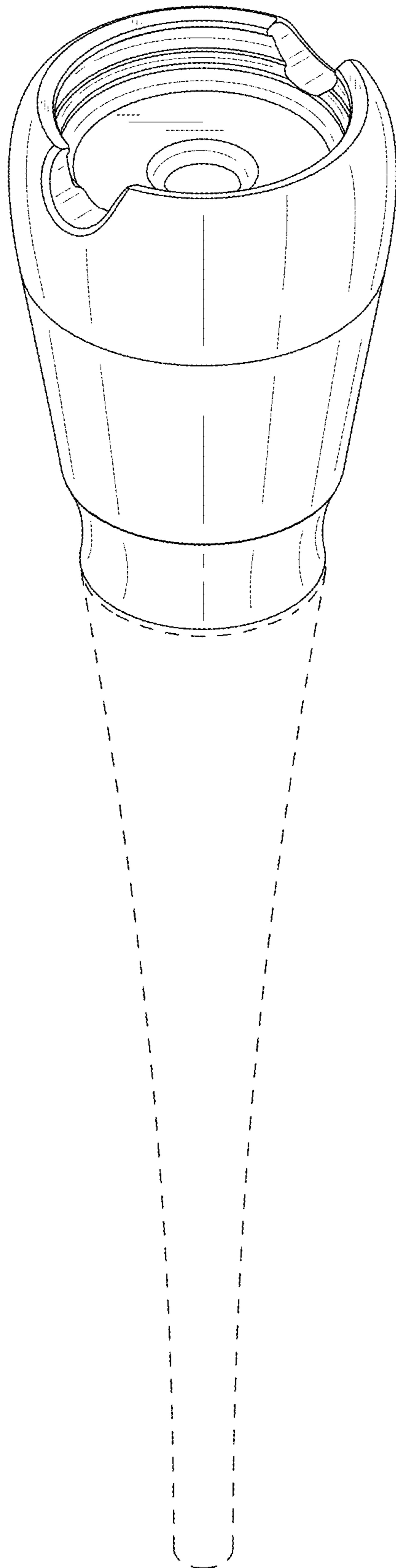


FIG. 1

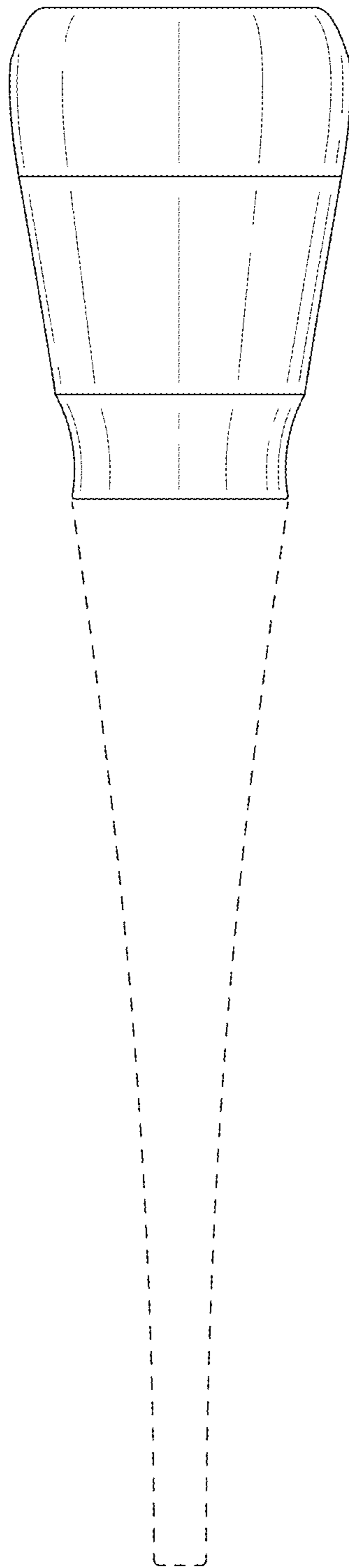


FIG. 2

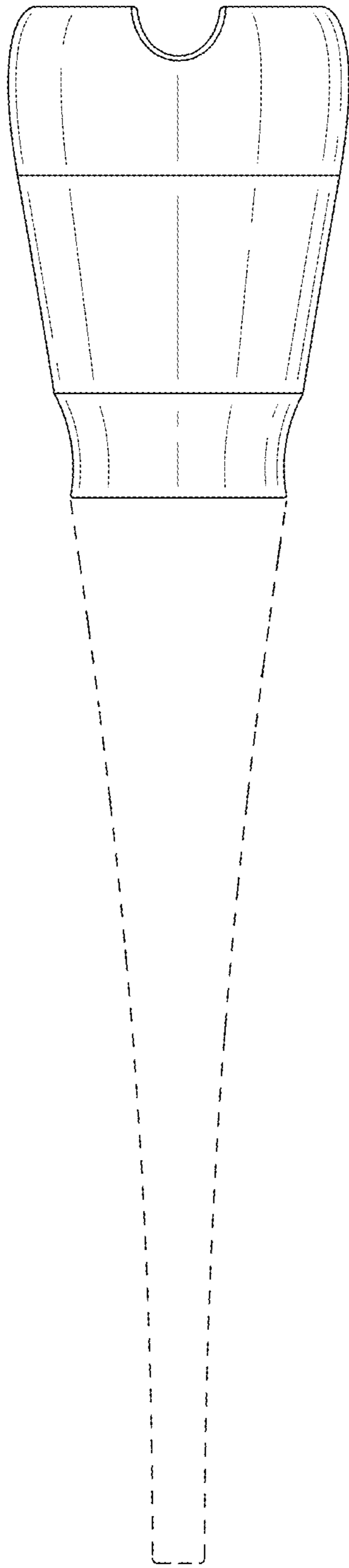


FIG. 3

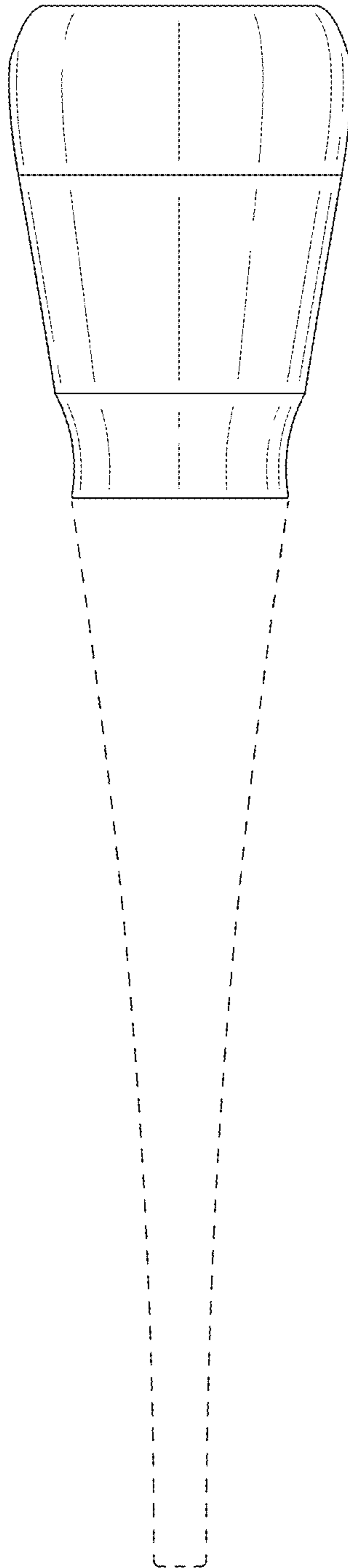


FIG. 4

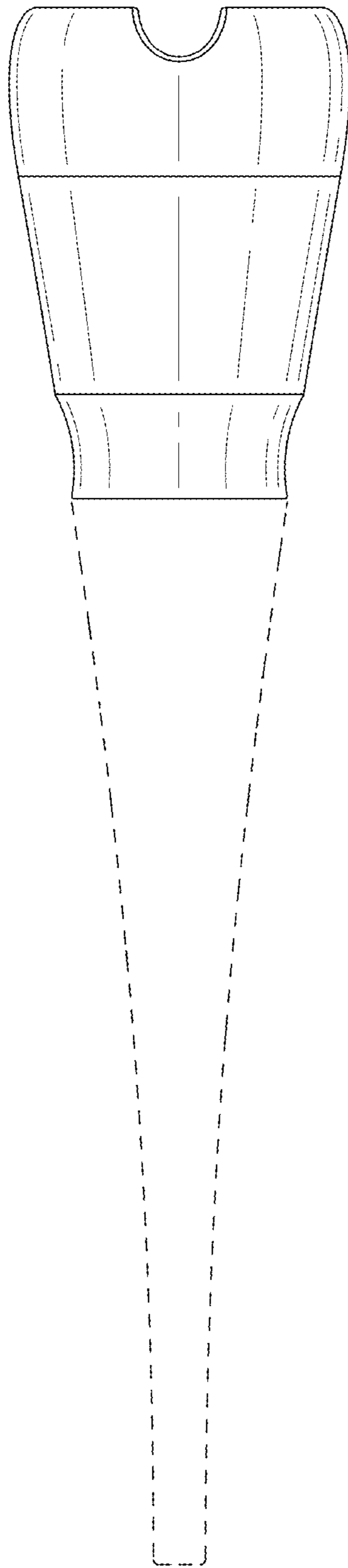


FIG. 5

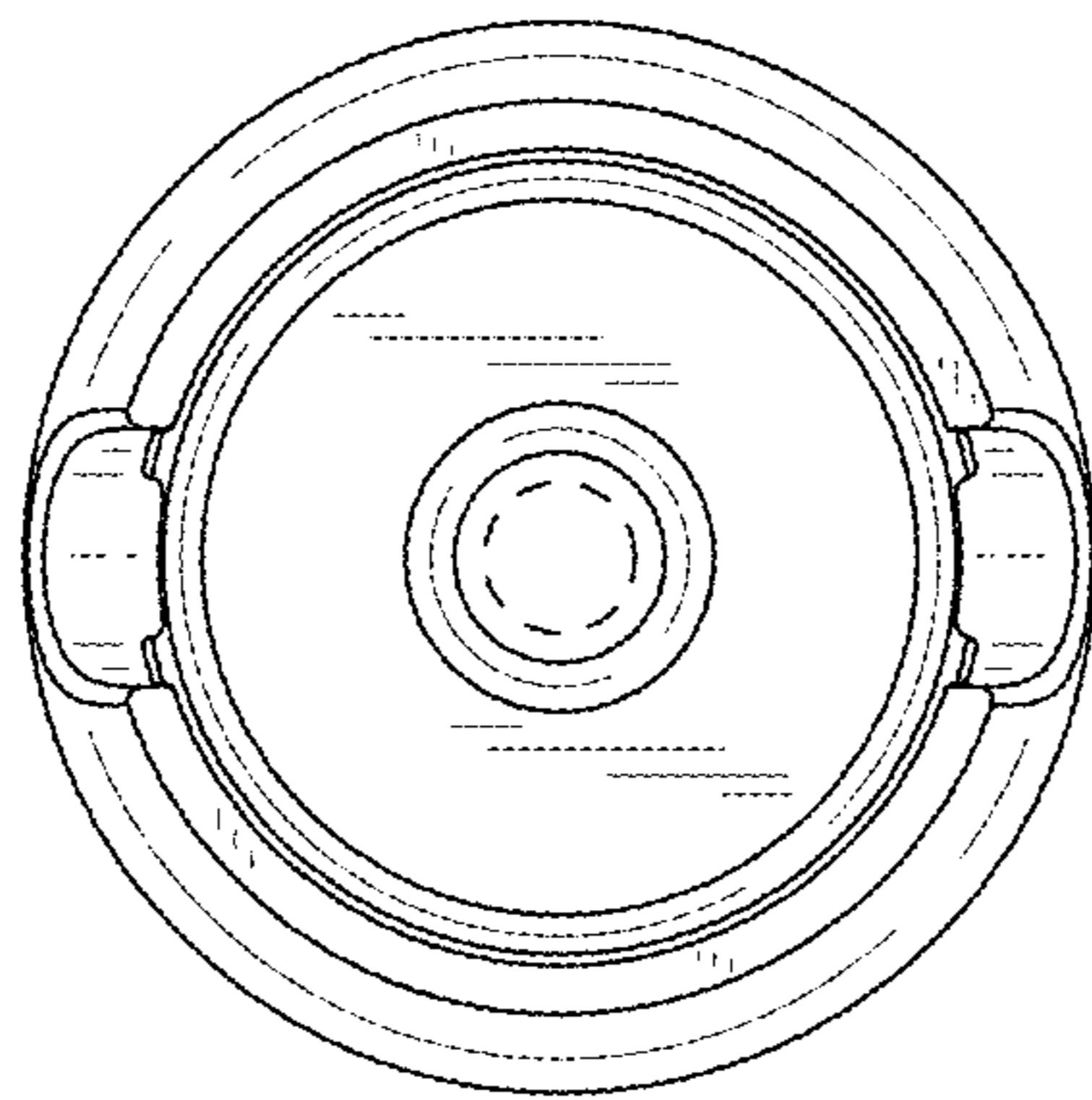


FIG. 6

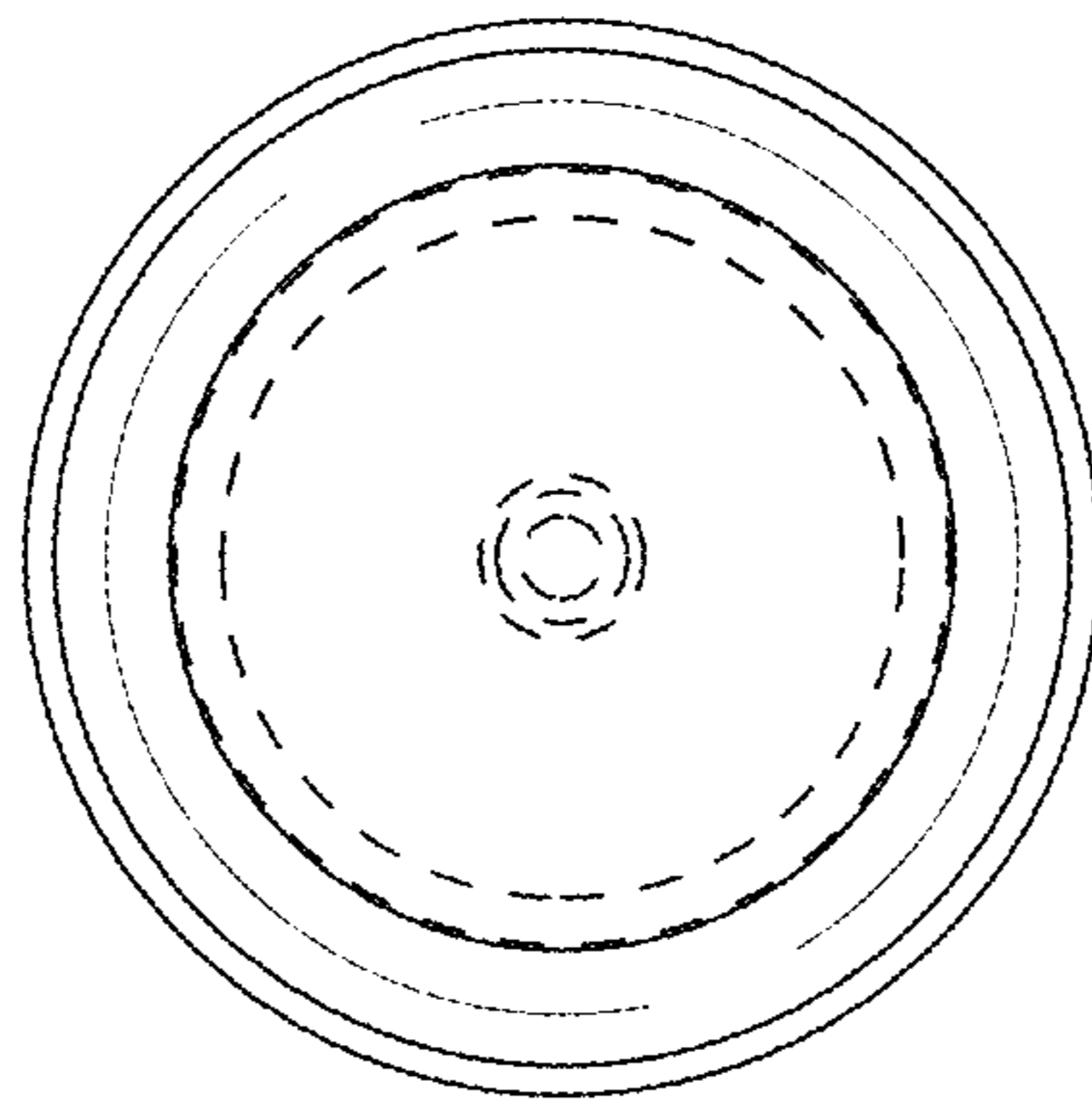


FIG. 7

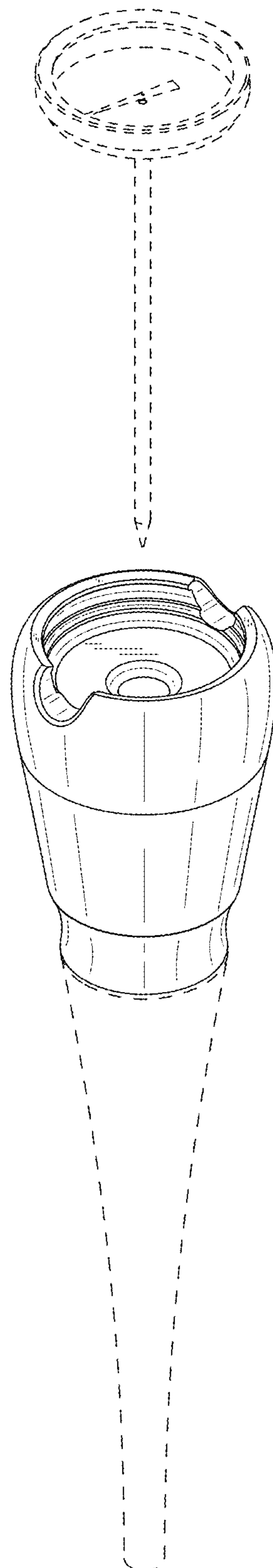


FIG. 8