



US00D774364S

(12) **United States Design Patent** (10) **Patent No.:** **US D774,364 S**
Sitar (45) **Date of Patent:** **** Dec. 20, 2016**

(54) **WINE BOTTLE HOLDER**

D738,726 S * 9/2015 Peluso D3/318

(71) Applicant: **Rustic Home Goods, LLC**, Seymour, CT (US)

* cited by examiner

(72) Inventor: **David R. Sitar**, Seymour, CT (US)

Primary Examiner — Keli L Hill

(73) Assignee: **Rustic Home Goods, LLC**, Seymour, CT (US)

(74) *Attorney, Agent, or Firm* — DeLio, Peterson & Curcio, LLC; Thomas E. Ciesco

(**) Term: **15 Years**

(57) **CLAIM**

(21) Appl. No.: **29/534,523**

I claim the ornamental design for a “wine bottle holder,” as shown and described.

(22) Filed: **Jul. 29, 2015**

DESCRIPTION

(51) **LOC (10) Cl.** **07-06**

(52) **U.S. Cl.**

USPC **D7/619.1**

(58) **Field of Classification Search**

USPC D7/600.1, 601, 602, 619.1, 701, 704; D6/672, 673; 211/41.2, 57.1, 59.2, 66, 74, 211/94.01, 181.1, 189; 248/220.41, 303, 248/312.1

CPC A47B 55/00; A47B 55/02; A47B 73/00; A47B 73/002; A47B 73/004; A47B 73/006; A47B 73/008; A47B 69/00; A47G 23/0266; A47J 47/16

See application file for complete search history.

FIG. 1 is a front perspective view of a wine bottle holder design according to my invention;

FIG. 2 is a front elevational view of the wine bottle holder design shown in FIG. 1;

FIG. 3 is a back elevational view of the wine bottle holder shown in FIG. 2;

FIG. 4 is a top view of the wine bottle holder shown in FIG. 2;

FIG. 5 is a bottom view of the wine bottle holder shown in FIG. 2;

FIG. 6 is a left side elevational view of the wine bottle holder shown in FIG. 2; and,

FIG. 7 is a right side elevational view of the wine bottle holder shown in FIG. 2.

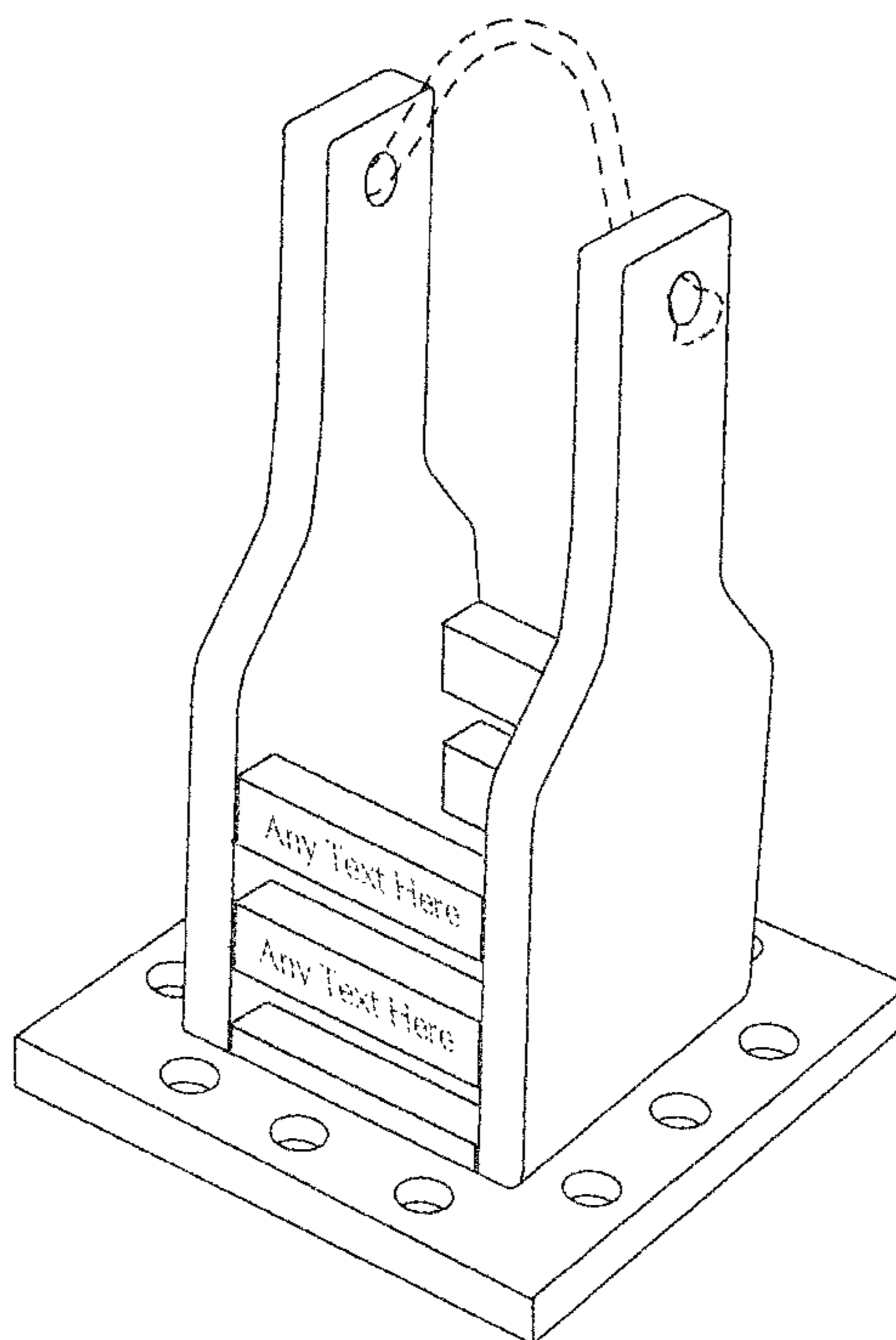
The broken lines showing of text and handle in FIG. 1 are included for the purpose of illustrating and forms no part of the claimed design.

(56) **References Cited**

U.S. PATENT DOCUMENTS

D578,831 S * 10/2008 Loibl D7/619.1
7,984,813 B1 * 7/2011 Tapager A47G 23/02
211/74

1 Claim, 4 Drawing Sheets



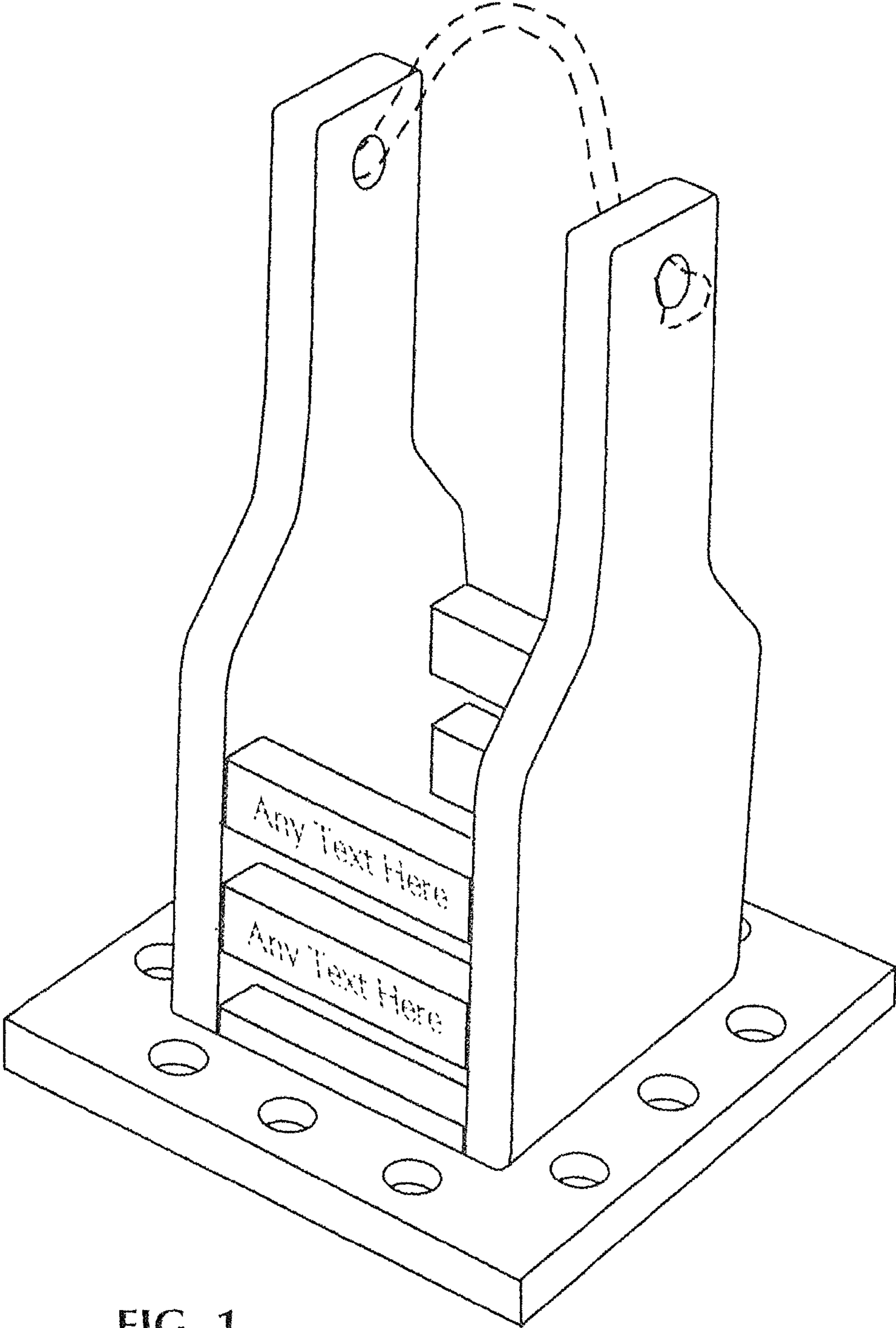


FIG. 1

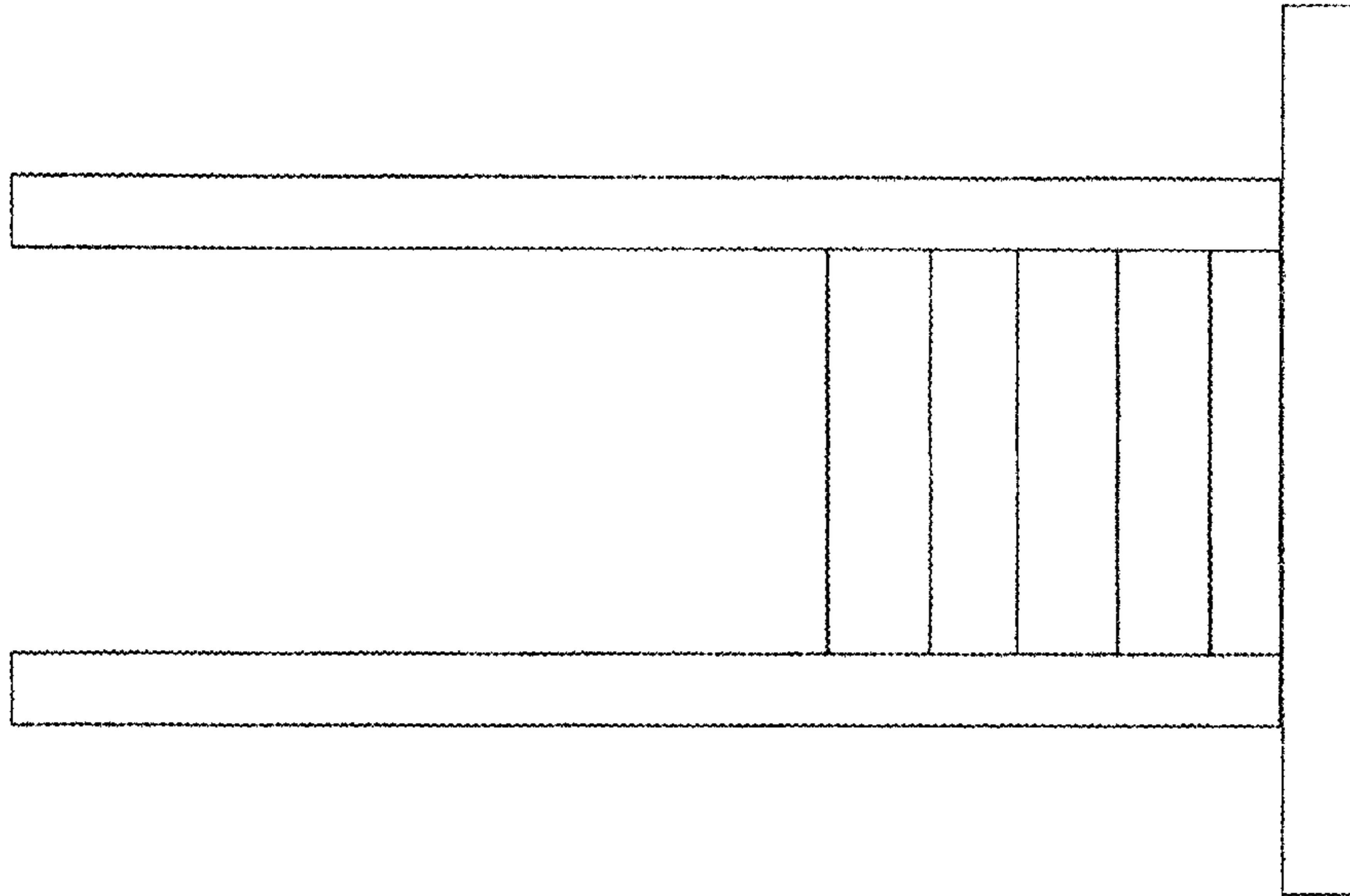


FIG. 3

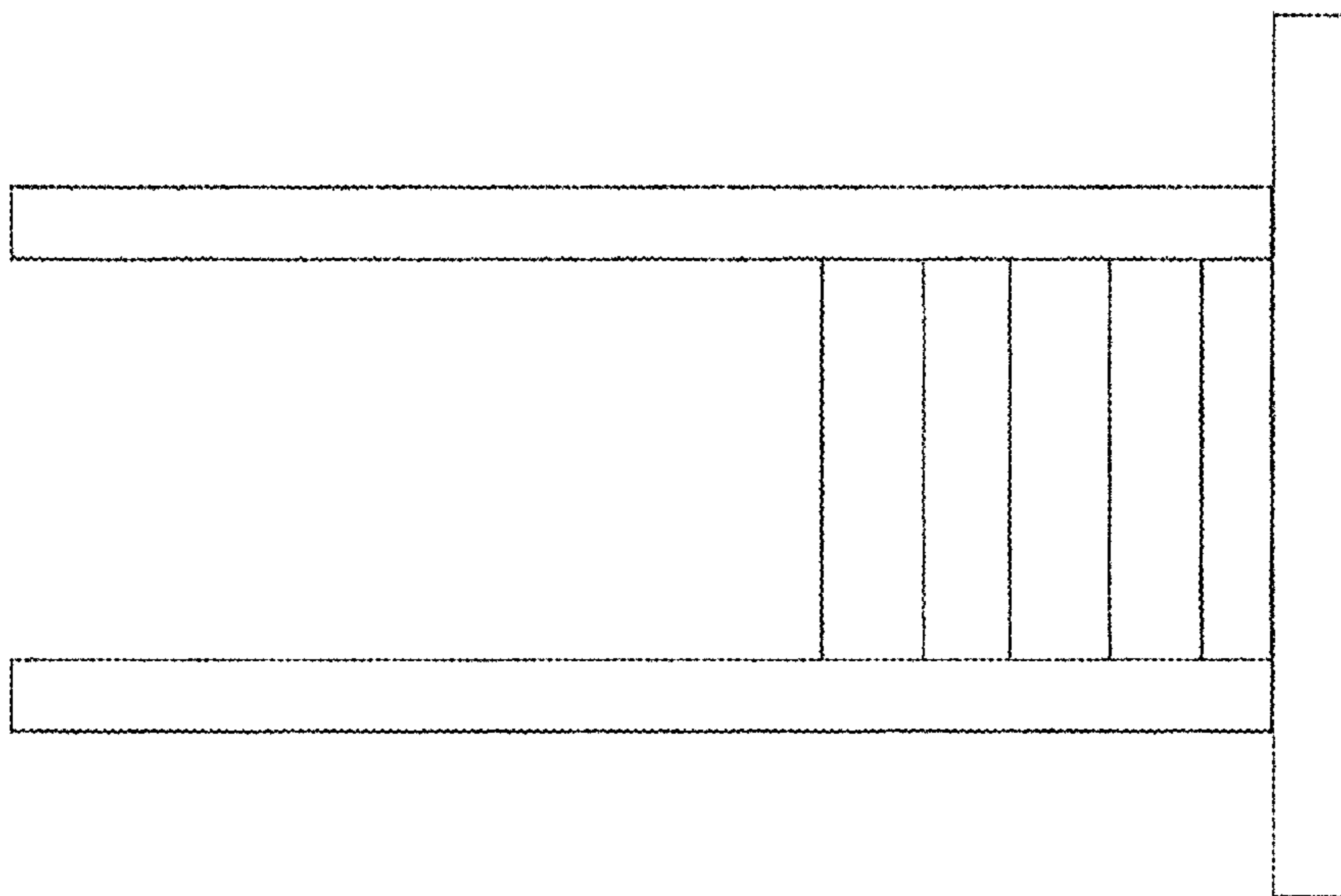


FIG. 2

FIG. 4

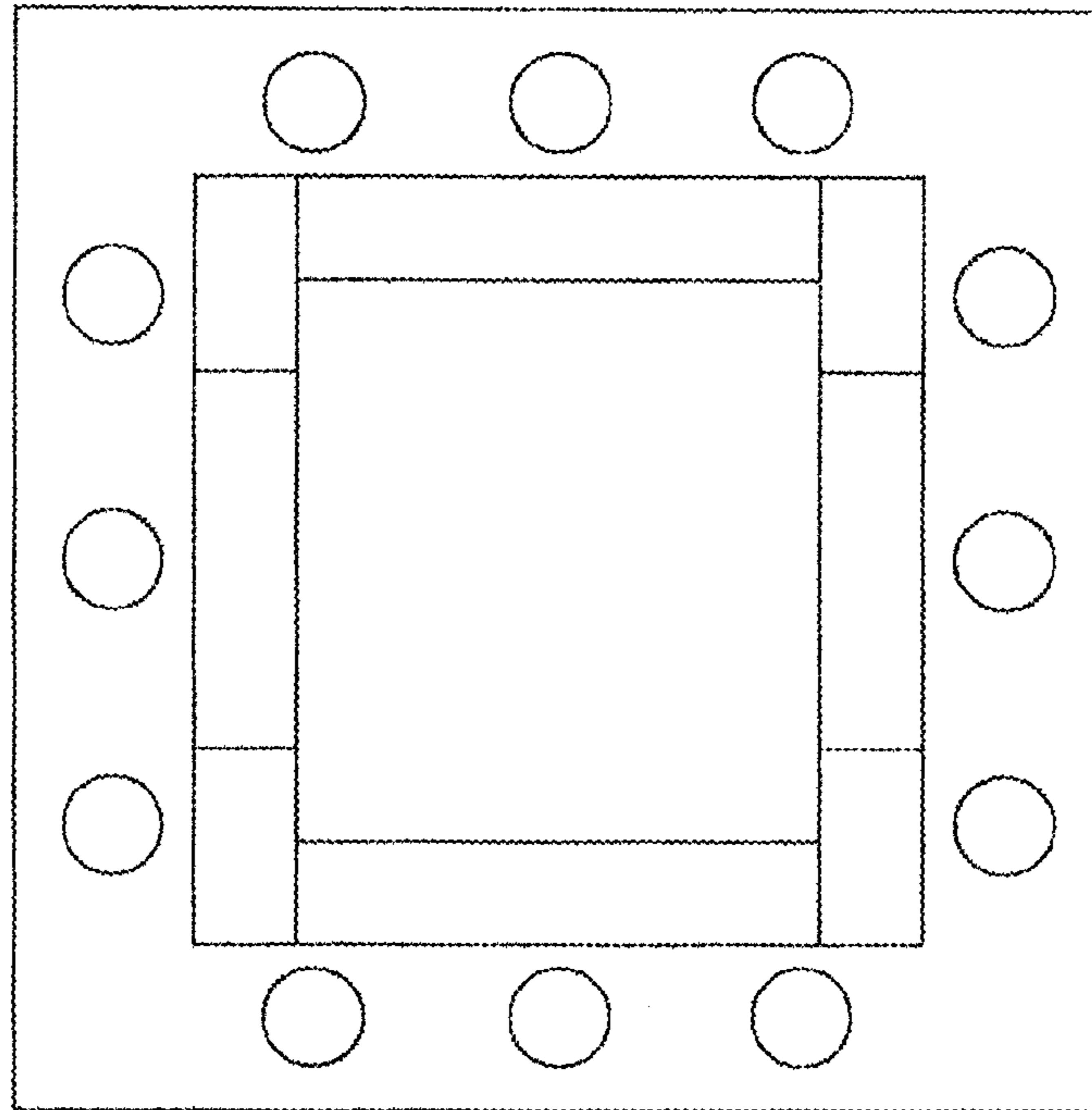
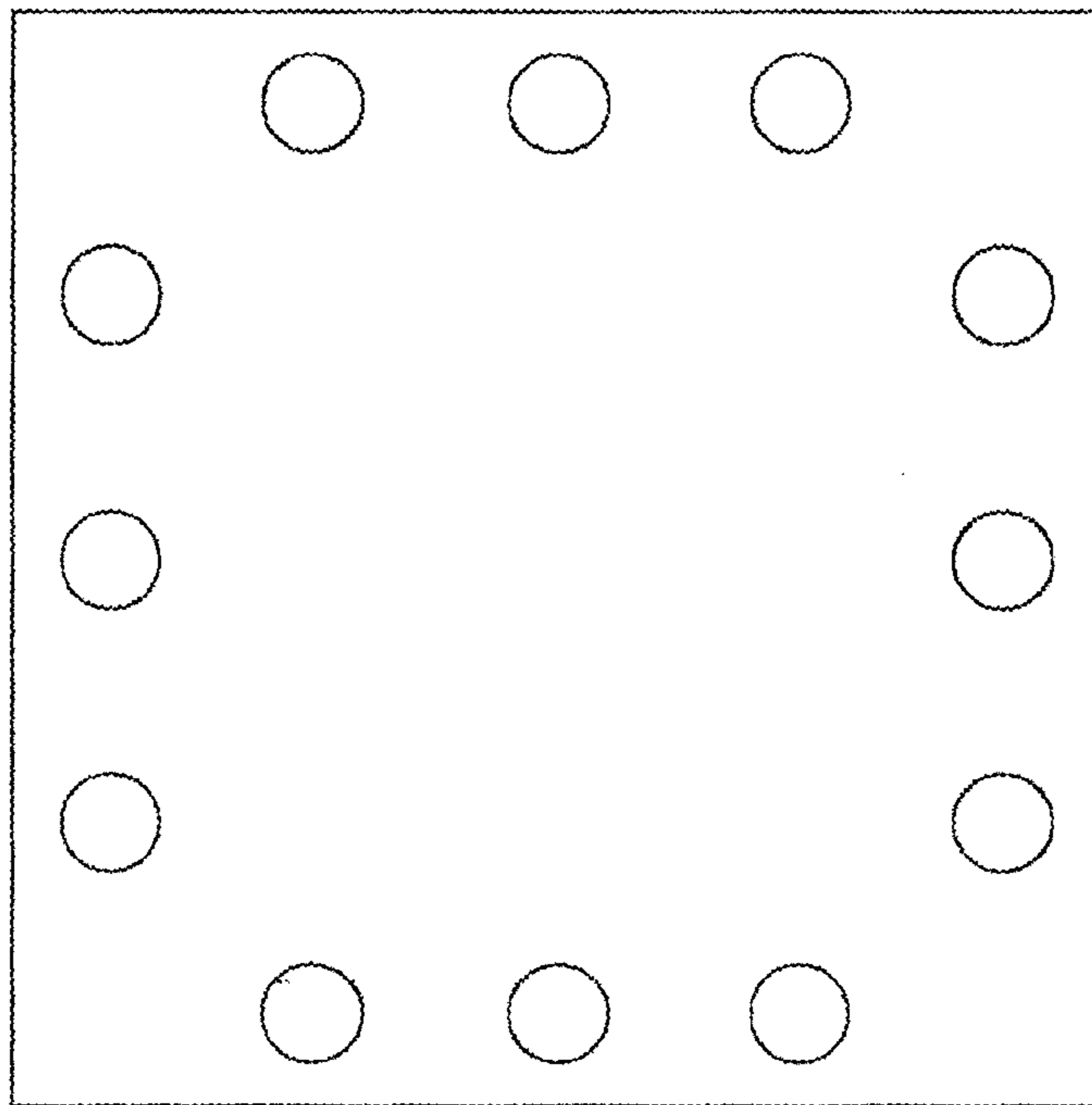


FIG. 5



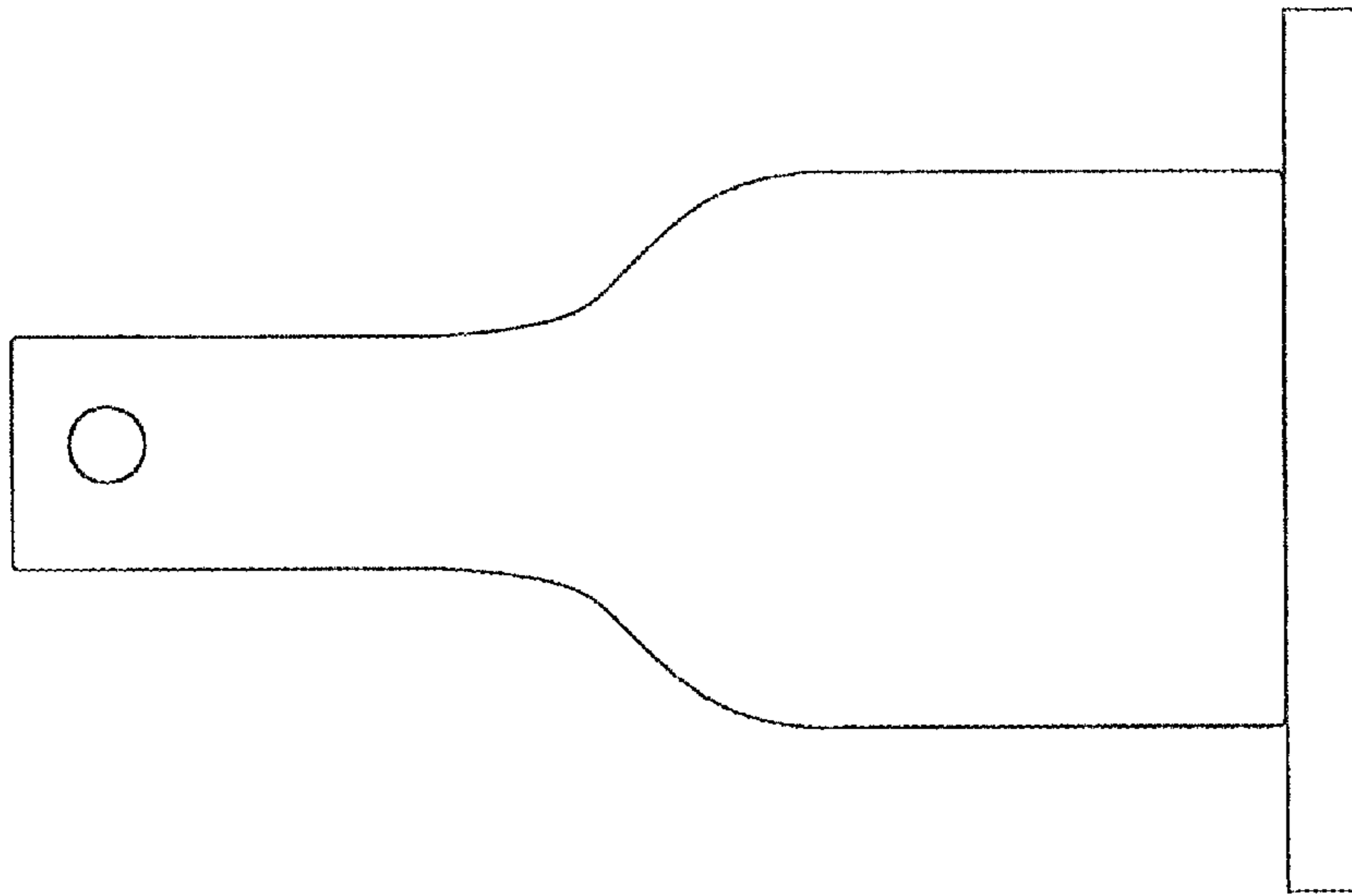


FIG. 7

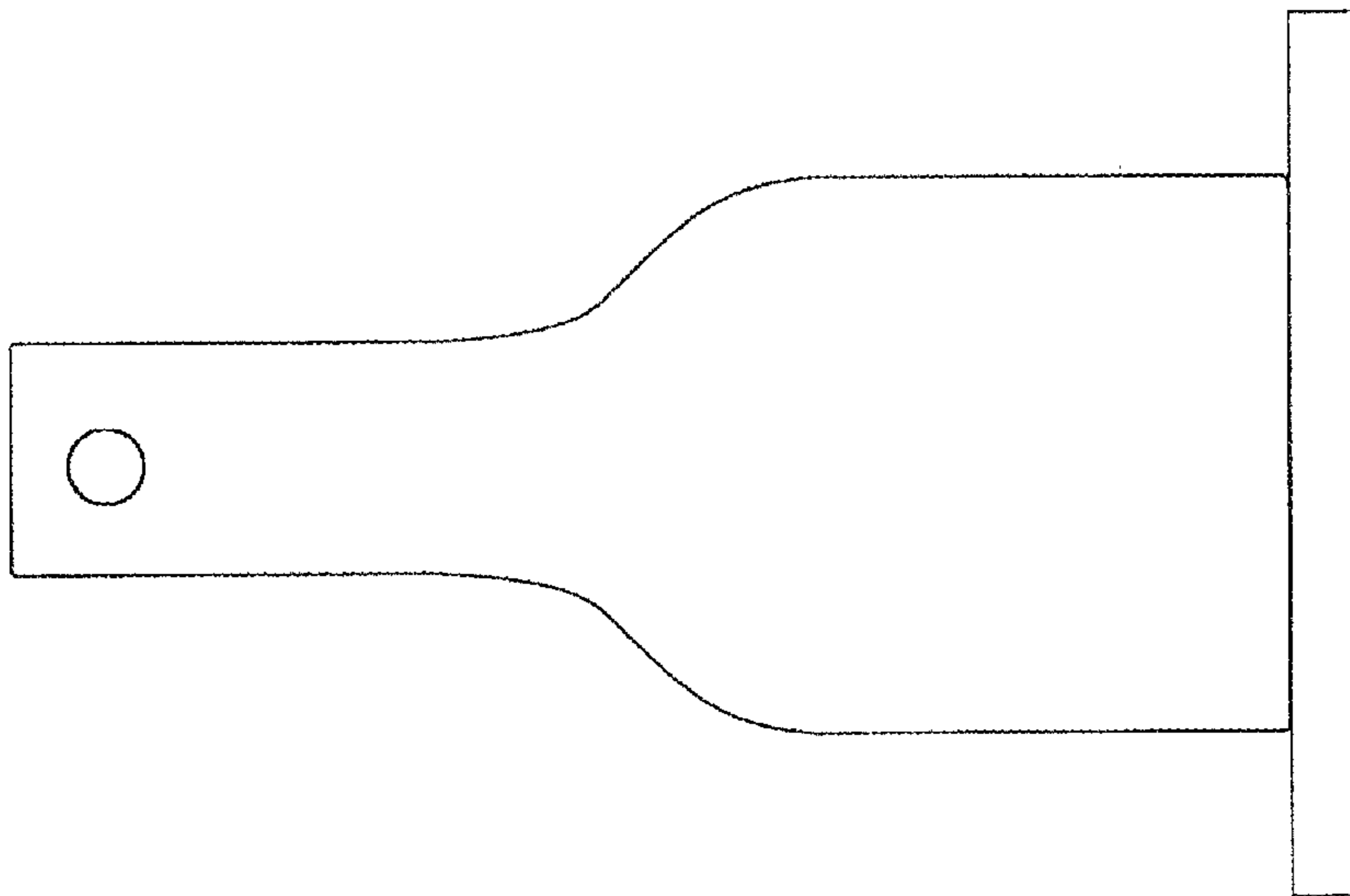


FIG. 6