



US00D774362S

(12) **United States Design Patent** (10) **Patent No.:** **US D774,362 S**  
**Wahl** (45) **Date of Patent:** **\*\* Dec. 20, 2016**

(54) **FOOD CONTAINER**  
(71) Applicant: **Pacific Market International, LLC**,  
Seattle, WA (US)  
(72) Inventor: **Andrew C. F. Wahl**, Seattle, WA (US)  
(73) Assignee: **Pacific Market International, LLC**,  
Seattle, WA (US)  
(\*\*) Term: **15 Years**

D407,273 S 3/1999 Moran  
D432,367 S \* 10/2000 Segura ..... D7/608  
D474,651 S \* 5/2003 Ward ..... D7/615  
6,561,080 B1 5/2003 Feeney  
D497,778 S \* 11/2004 Rich ..... D7/608  
D556,509 S 12/2007 Bonini  
D557,994 S \* 12/2007 Wahl ..... D7/608

(Continued)

*Primary Examiner* — Freda S Nunn  
(74) *Attorney, Agent, or Firm* — George C. Rondeau, Jr.;  
Davis Wright Tremaine LLP

(21) Appl. No.: **29/526,854**  
(22) Filed: **May 13, 2015**

(57) **CLAIM**

The ornamental design for a food container, as shown and described.

**Related U.S. Application Data**

**DESCRIPTION**

(62) Division of application No. 14/336,952, filed on Jul. 21, 2014, now Pat. No. 9,415,901, and a division of application No. 14/447,186, filed on Jul. 30, 2014.

(51) **LOC (10) Cl.** ..... **07-01**  
(52) **U.S. Cl.**  
USPC ..... **D7/608**

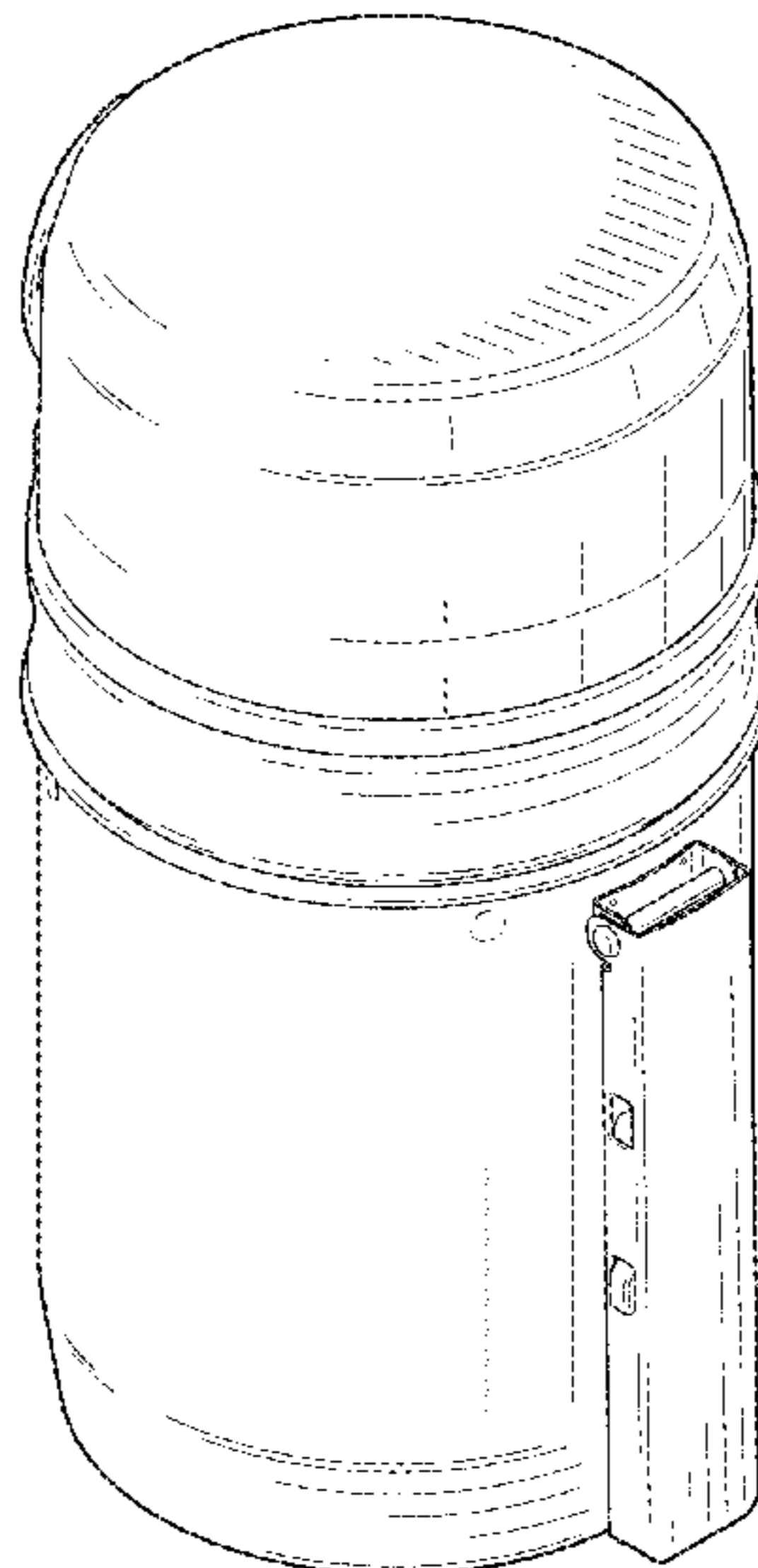
(58) **Field of Classification Search**  
USPC ..... D7/507, 510, 538, 540, 542, 605, 608,  
D7/615, 629, 630, 709; D3/273, 302;  
D9/500, 502-504, 745, 746, 780  
CPC ..... A45C 11/20; A47J 31/18; A47J 41/0044;  
B65D 21/022; B65D 21/0228; B65D  
41/17; B65D 47/0871; B65D  
47/0885; B65D 51/242; F25D 3/08; F25D  
3/14; F25D 2331/804  
See application file for complete search history.

FIG. 1 is a top, rear left side perspective view of a food container showing my new design.  
FIG. 2 is a top, front left side perspective view thereof.  
FIG. 3 is a left side elevational view thereof.  
FIG. 4 is a rear elevational view thereof.  
FIG. 5 is a front elevational view thereof.  
FIG. 6 is a right side elevational view thereof.  
FIG. 7 is a top plan view thereof.  
FIG. 8 is a bottom plan view thereof.  
FIG. 9 is a top, rear left side perspective view of a second embodiment thereof.  
FIG. 10 is a top, front left side perspective view thereof.  
FIG. 11 is a left side elevational view thereof.  
FIG. 12 is a rear elevational view thereof.  
FIG. 13 is a front elevational view thereof.  
FIG. 14 is a right side elevational view thereof.  
FIG. 15 is a top plan view thereof; and,  
FIG. 16 is a bottom plan view thereof.  
The broken lines represent portions of the food container that form no part of the claim.

(56) **References Cited**  
U.S. PATENT DOCUMENTS

3,982,651 A \* 9/1976 Braun ..... B65D 41/17  
220/260  
4,537,044 A \* 8/1985 Putnam ..... A45C 11/20  
220/902

**1 Claim, 14 Drawing Sheets**



(56)

**References Cited**

U.S. PATENT DOCUMENTS

D587,534 S *	3/2009	Carreno .....	D7/608
D622,554 S *	8/2010	Carreno .....	D7/629
D660,655 S	5/2012	Wahl et al.	
D674,661 S *	1/2013	Shevin-Sandy .....	D10/2
D679,960 S *	4/2013	Hopkins .....	D7/629
D685,229 S *	7/2013	Moran, Sr. ....	D7/608
D685,232 S *	7/2013	Lane .....	D7/605
D729,018 S *	5/2015	He .....	D7/608
D729,578 S	5/2015	He	
D730,119 S	5/2015	He	

\* cited by examiner

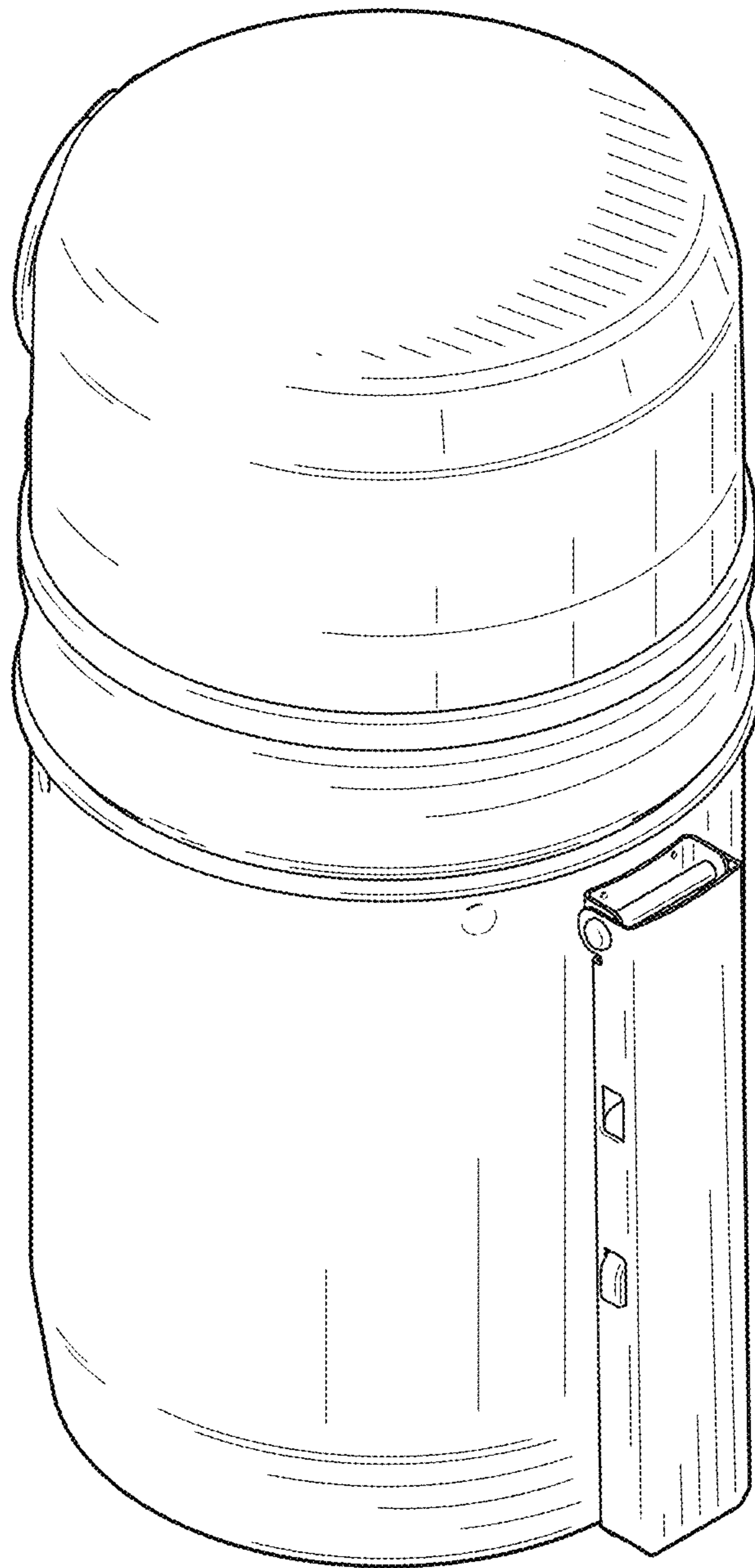


FIG.1

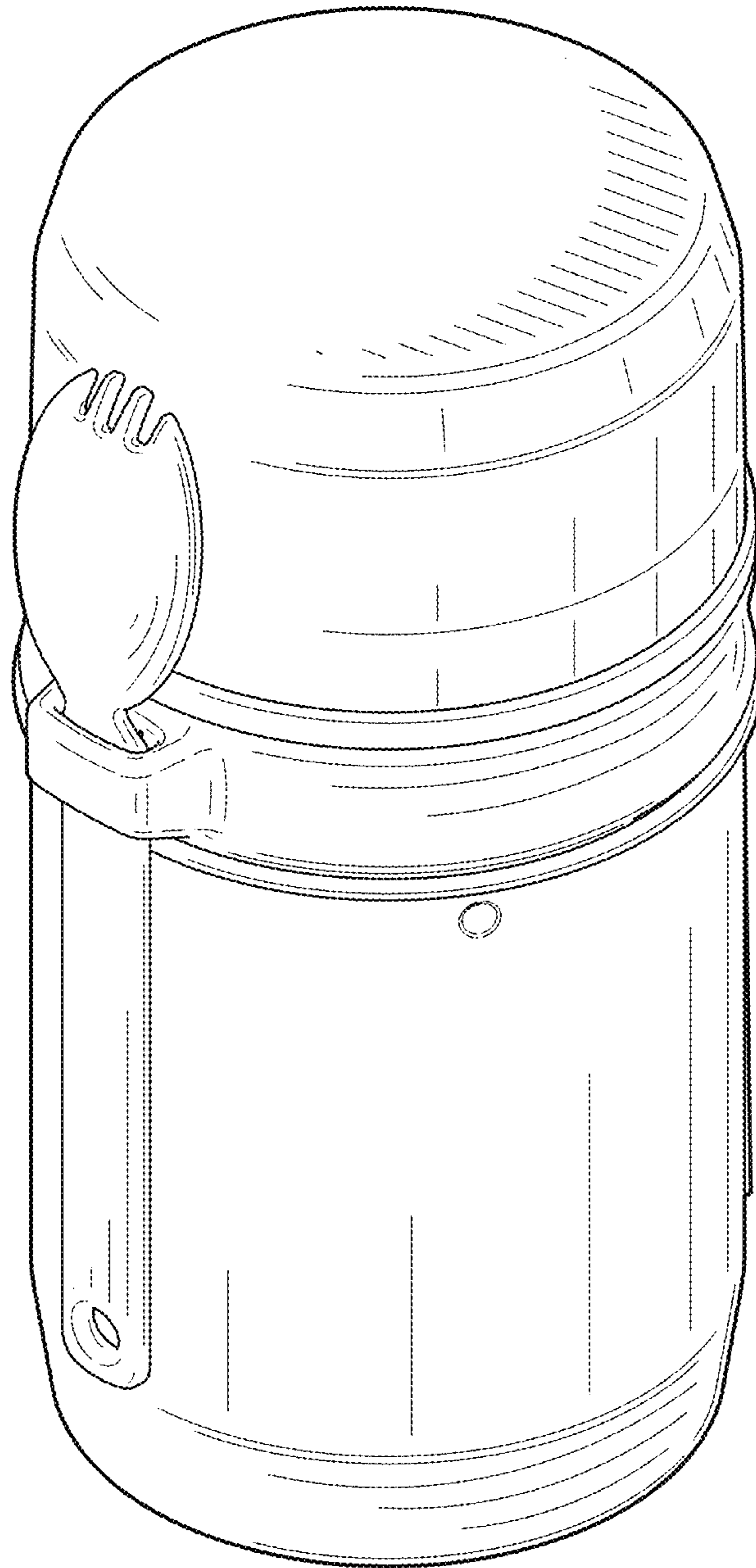


FIG.2

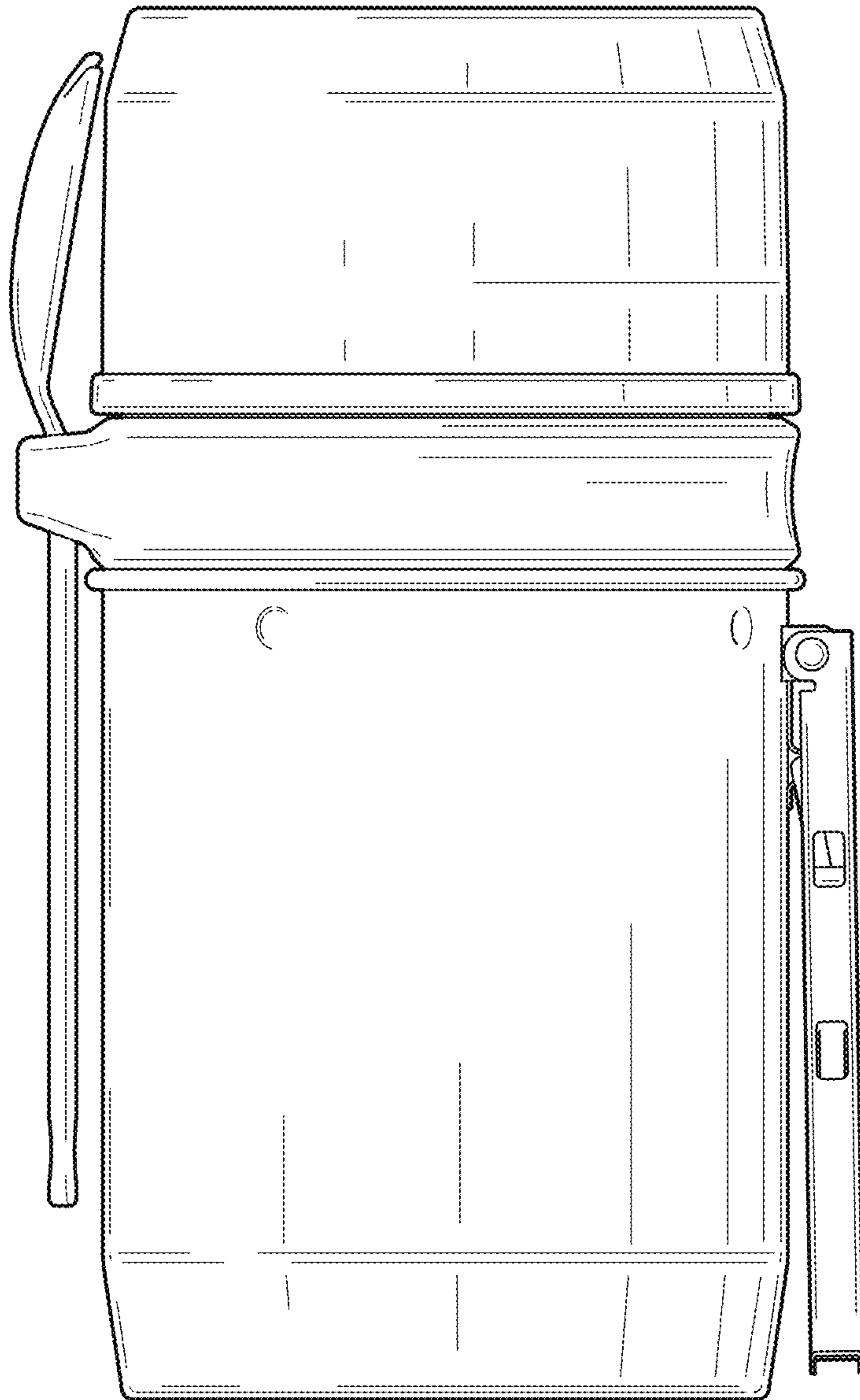


FIG. 3

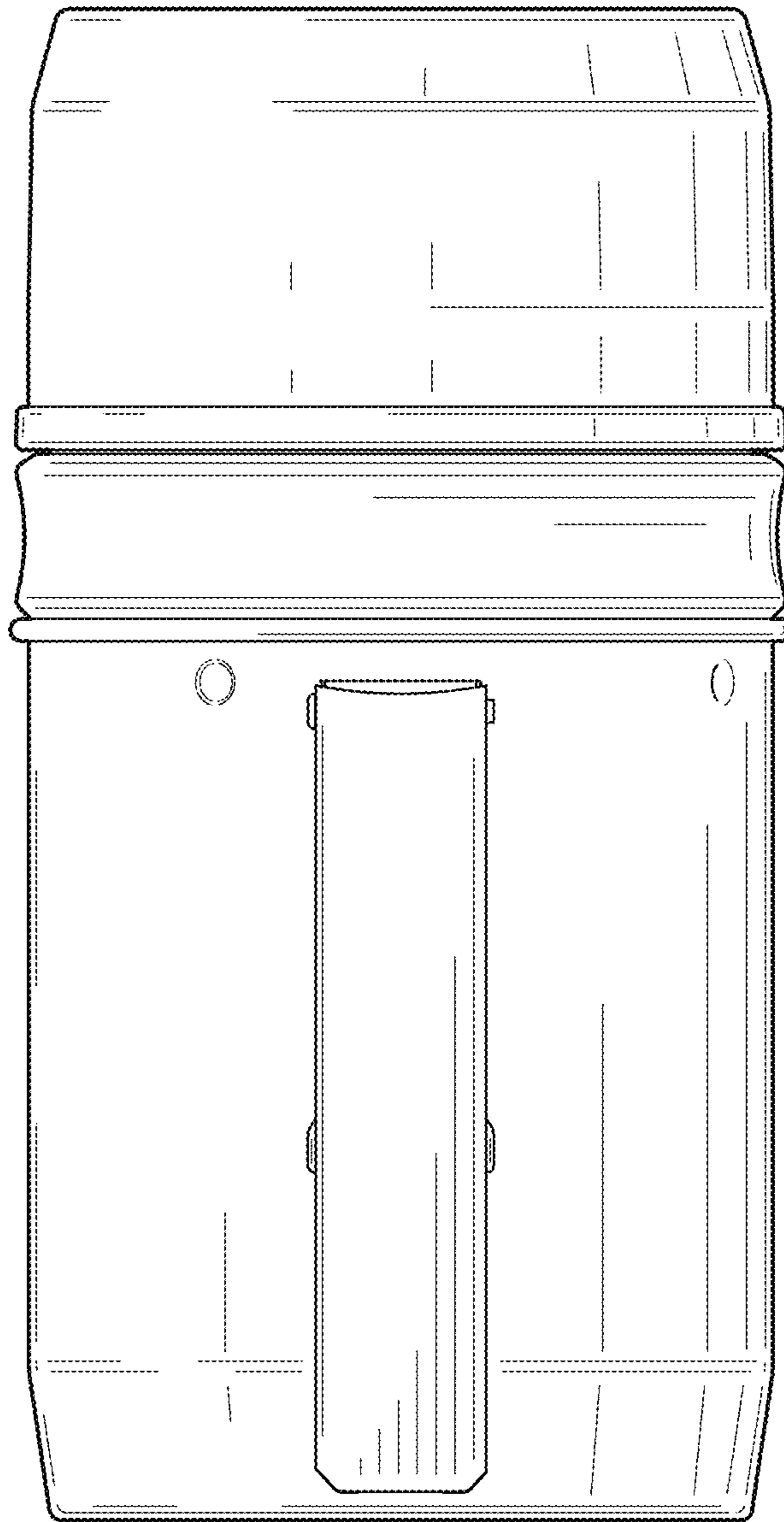


FIG. 4

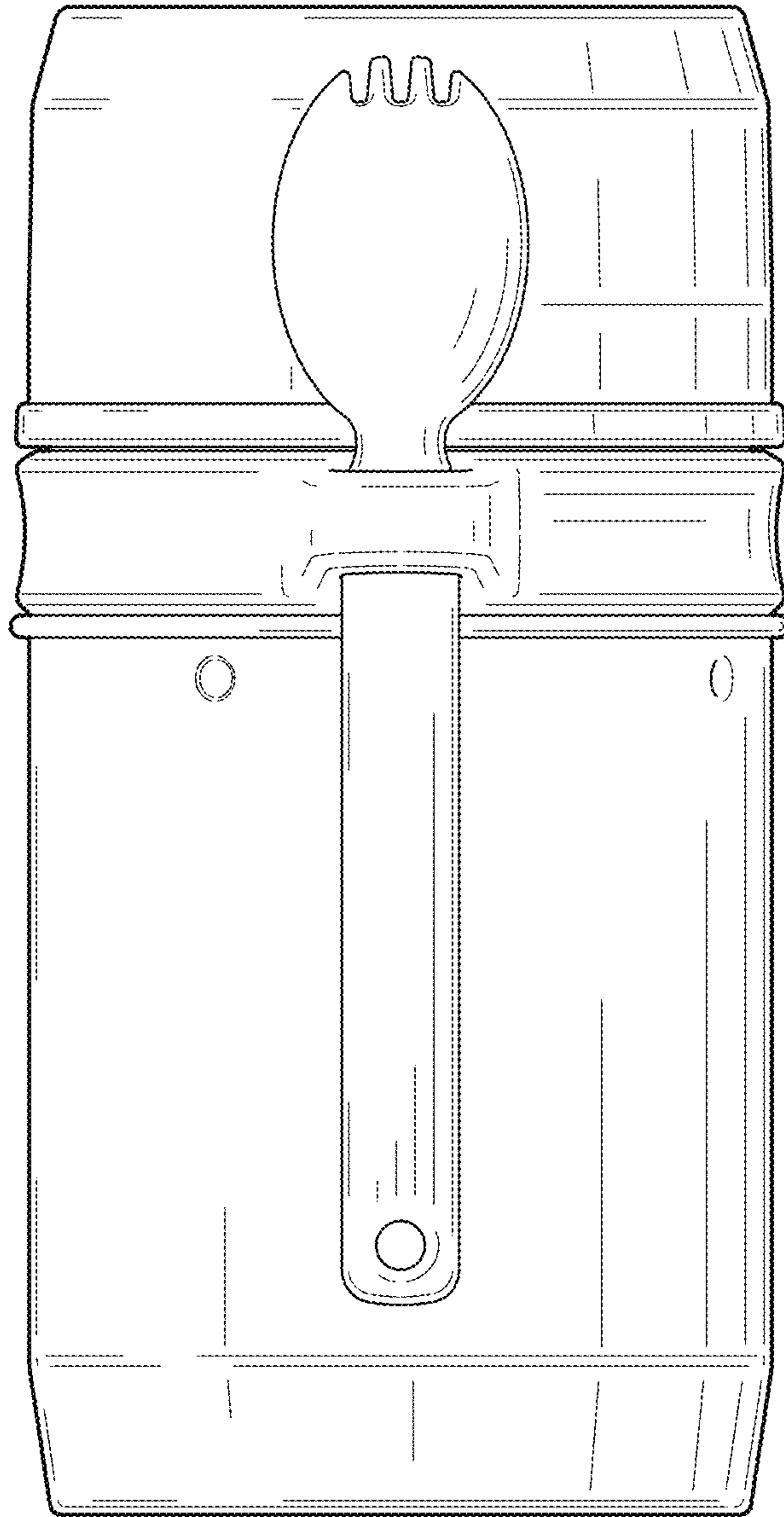


FIG. 5

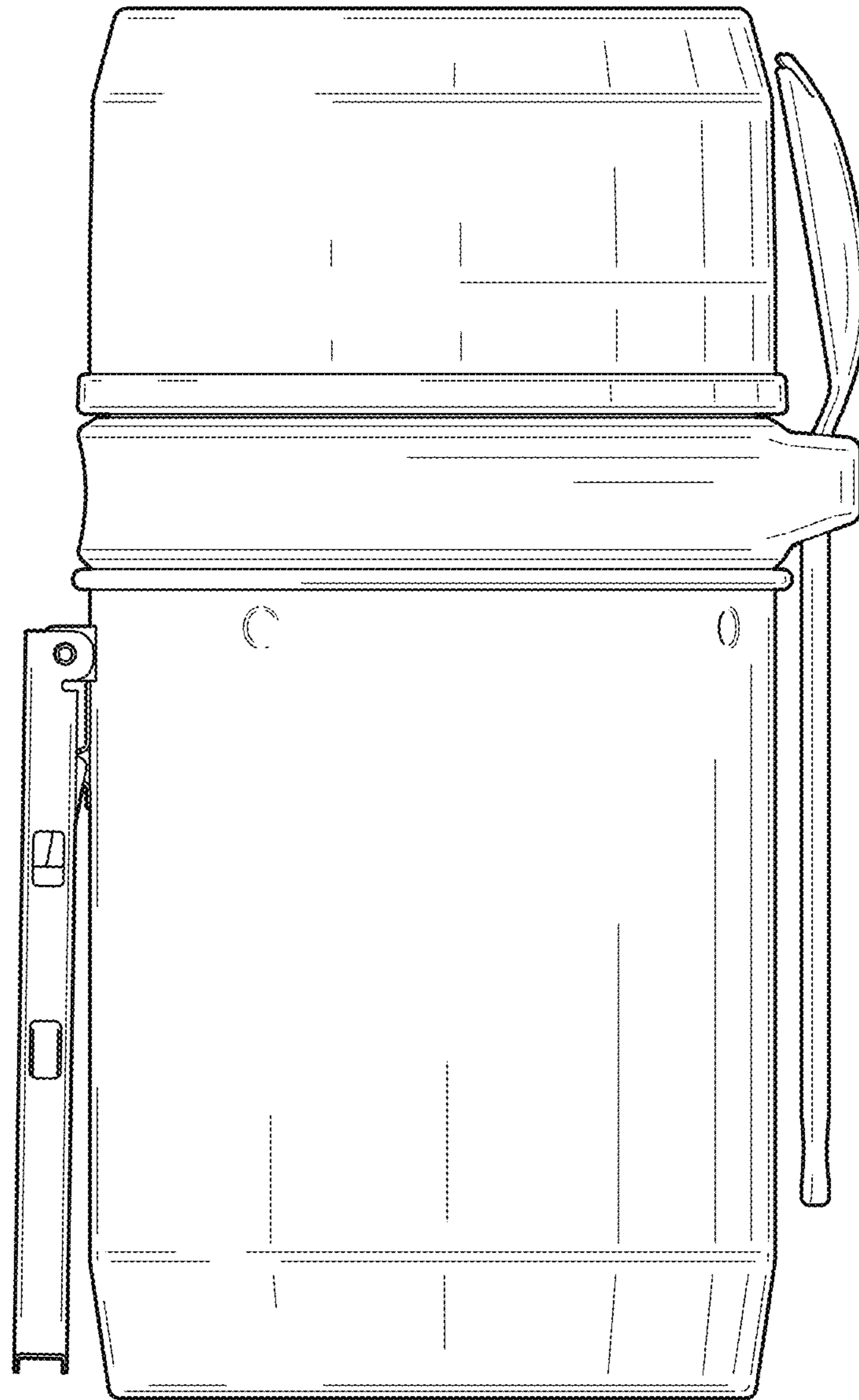


FIG.6



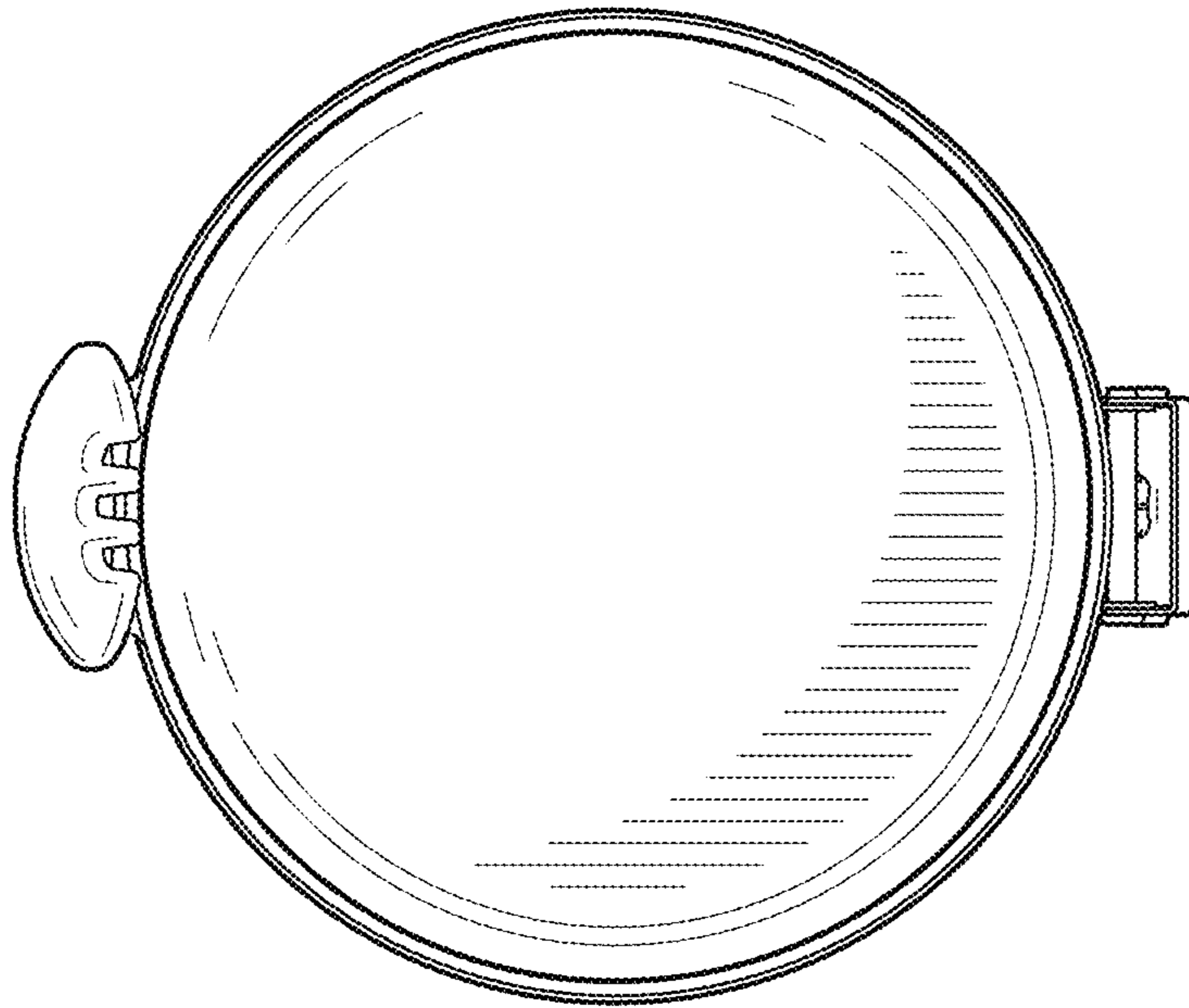


FIG. 7

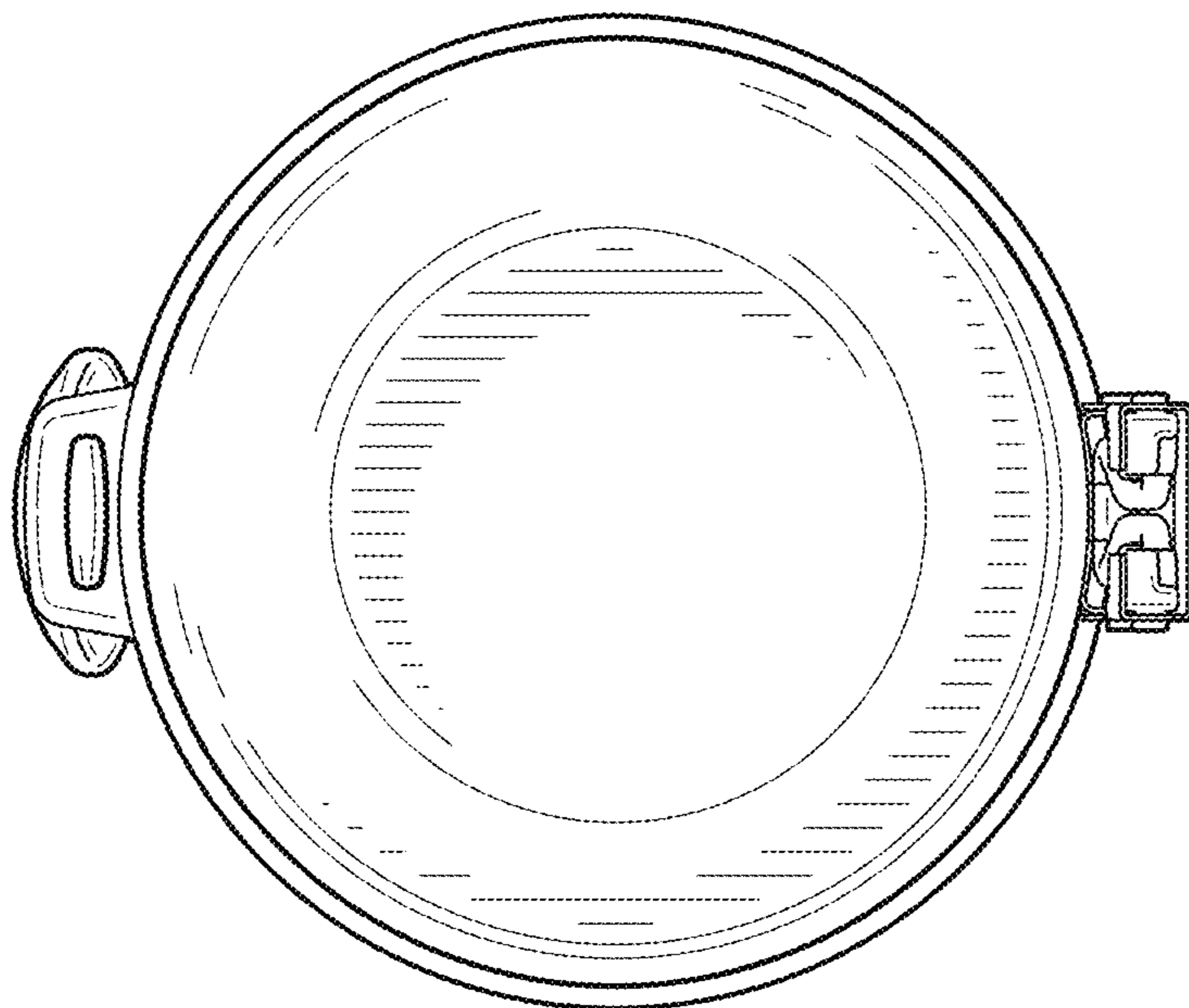


FIG. 8

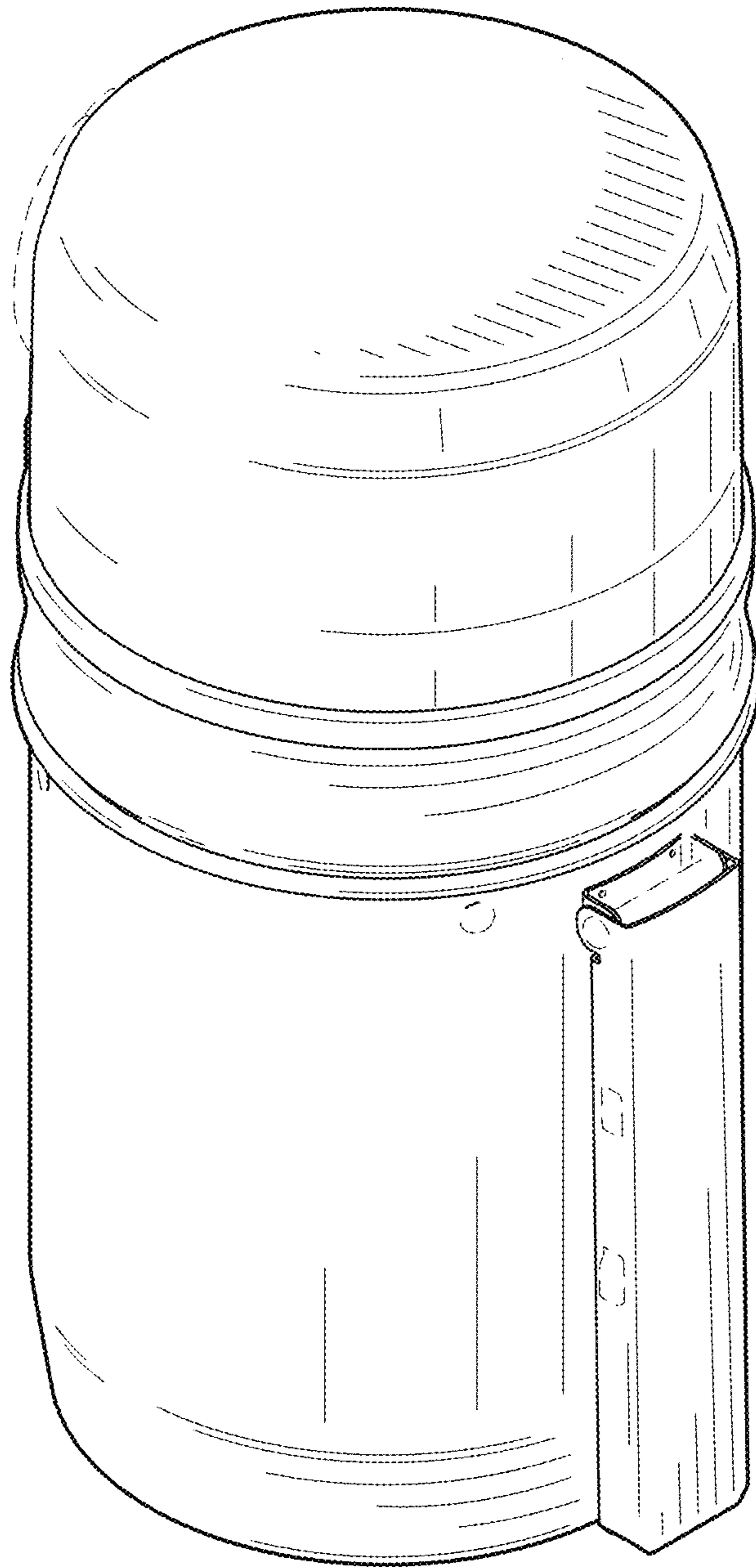


FIG. 9

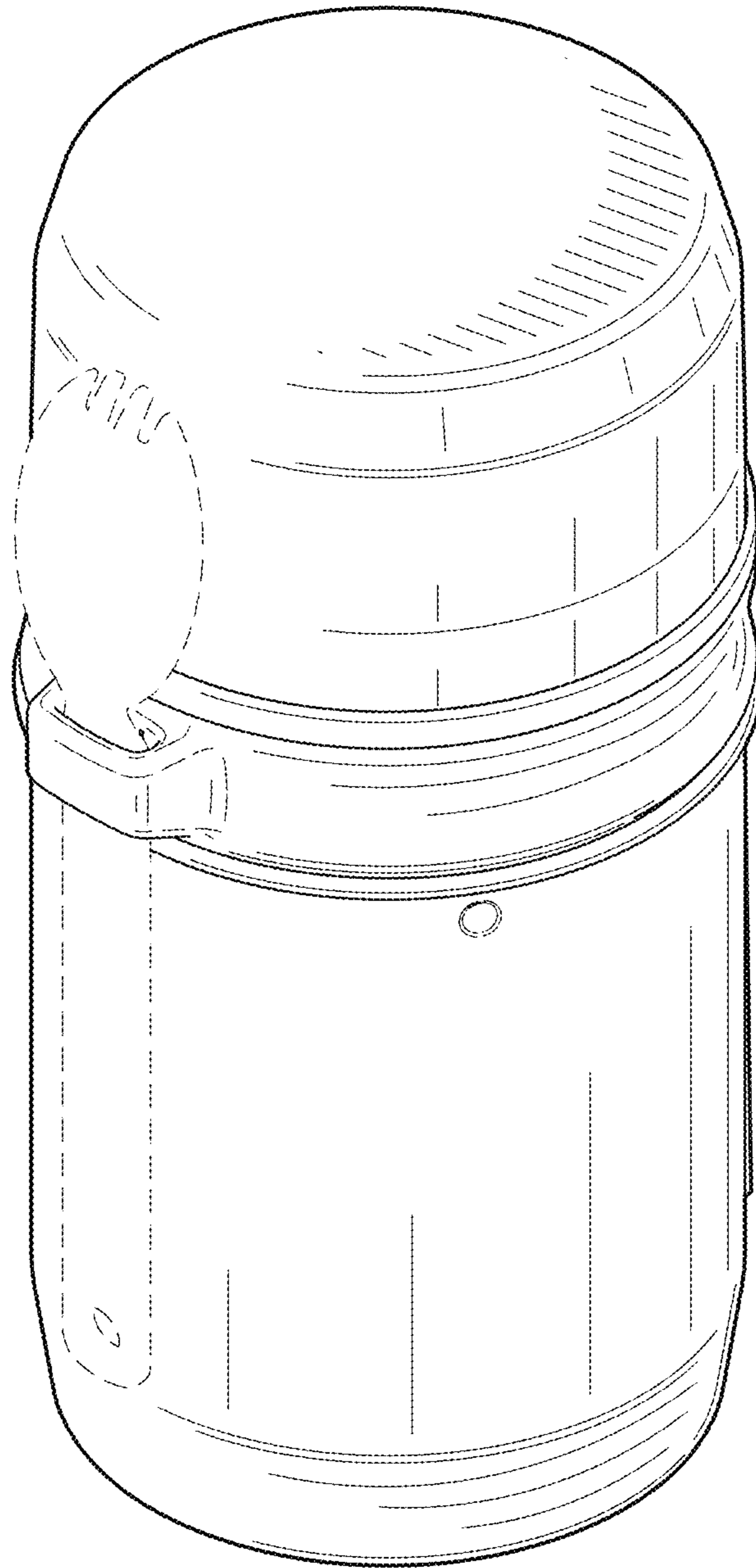


FIG.10

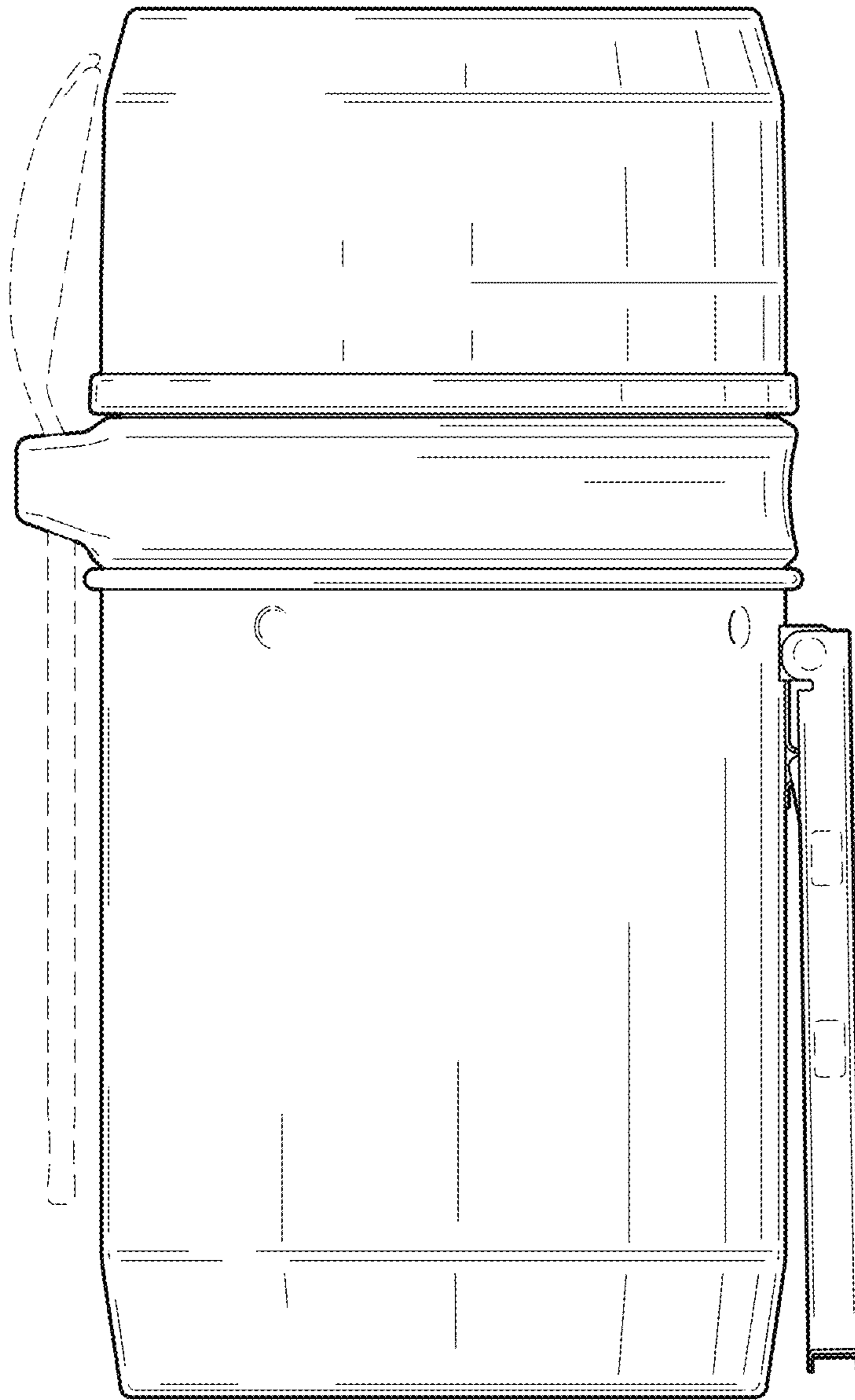


FIG.11

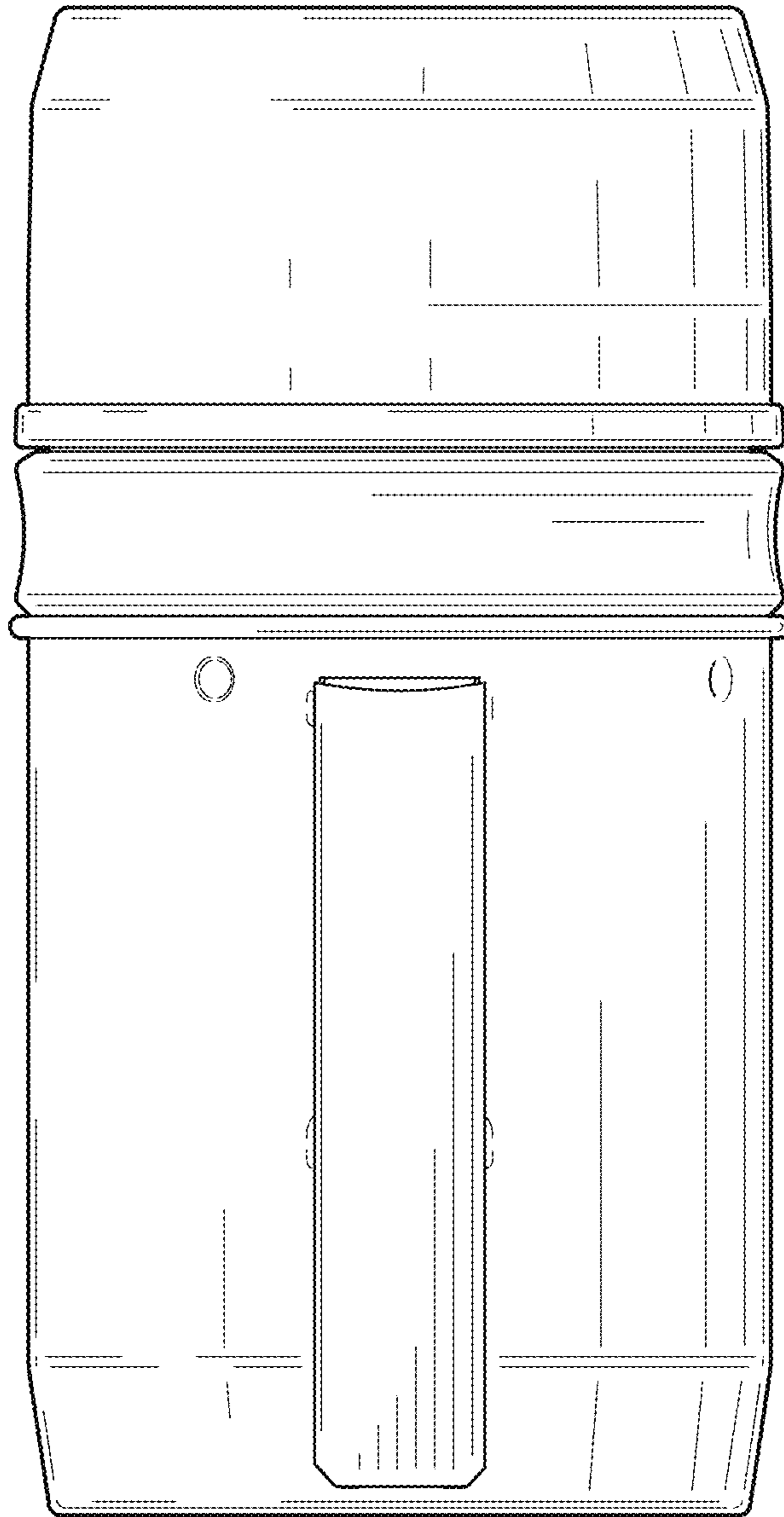


FIG.12

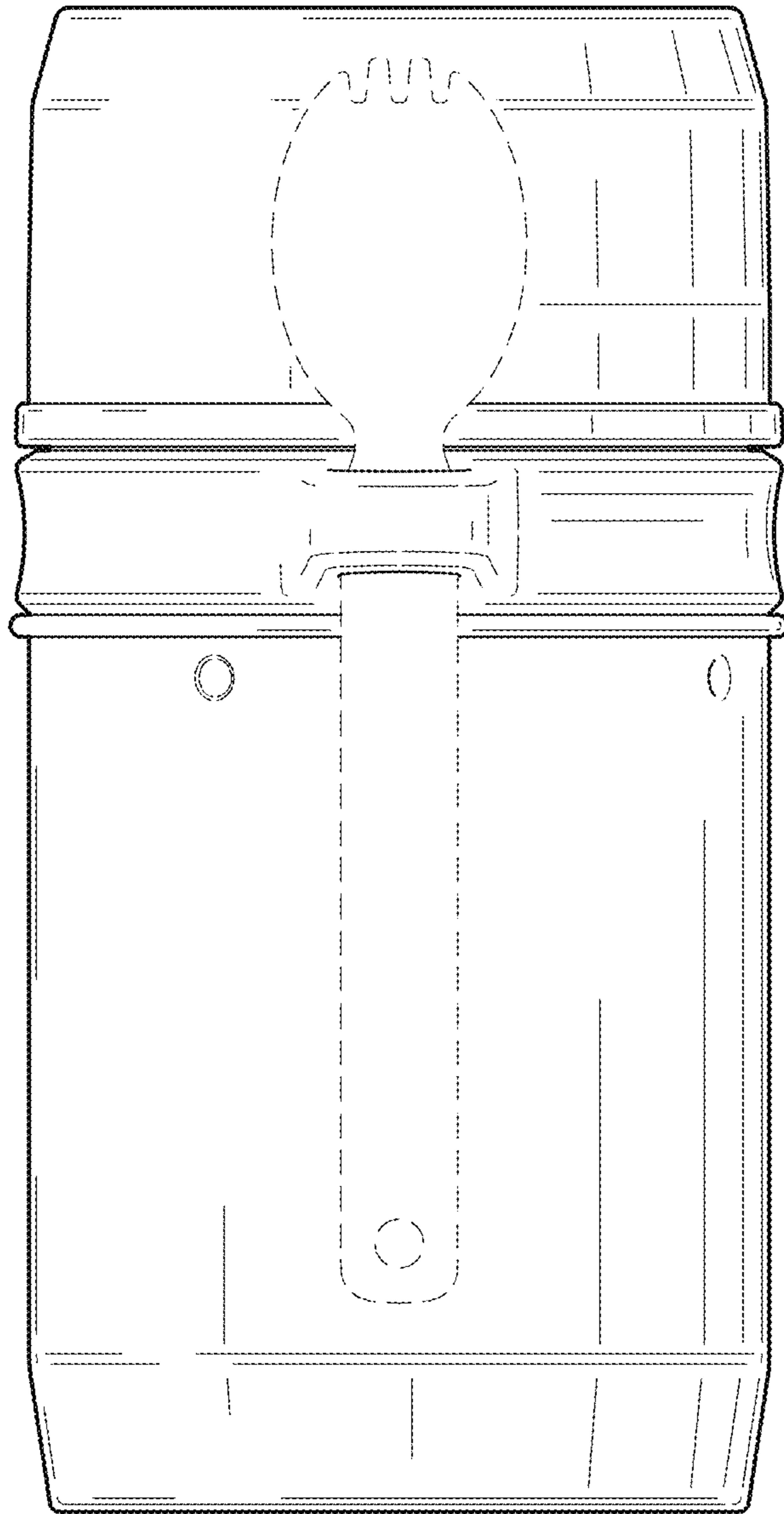


FIG.13

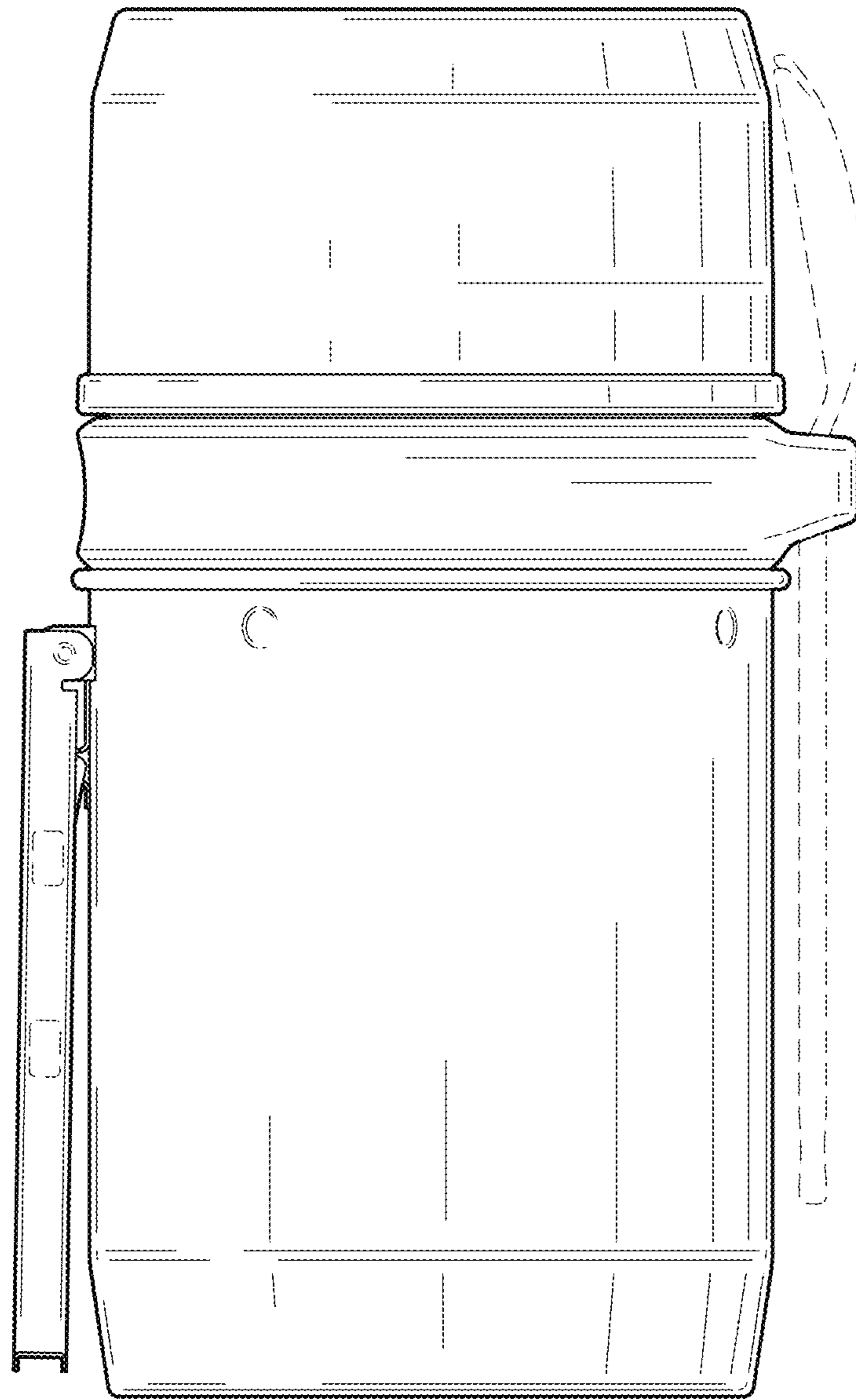


FIG.14

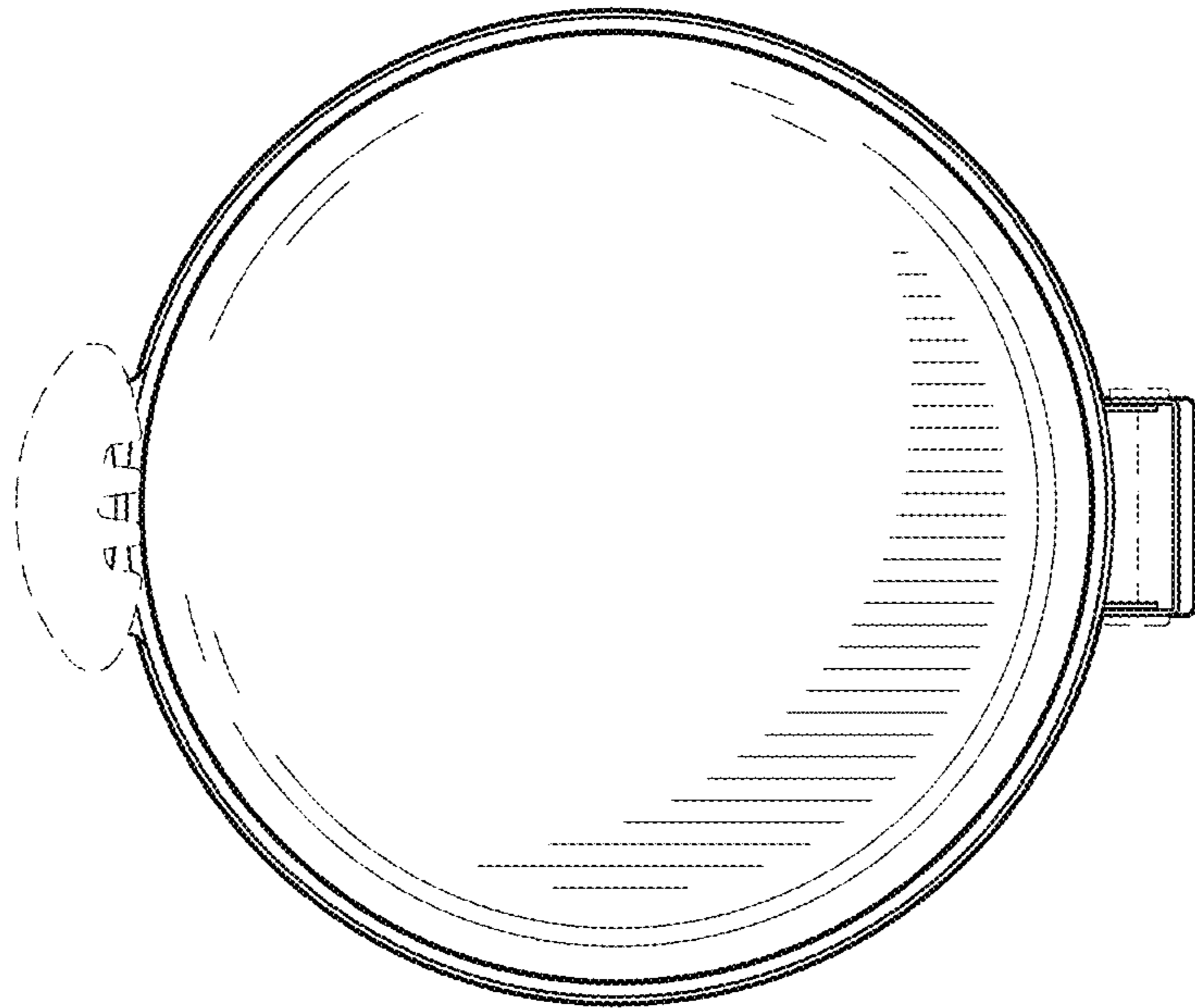


FIG. 15

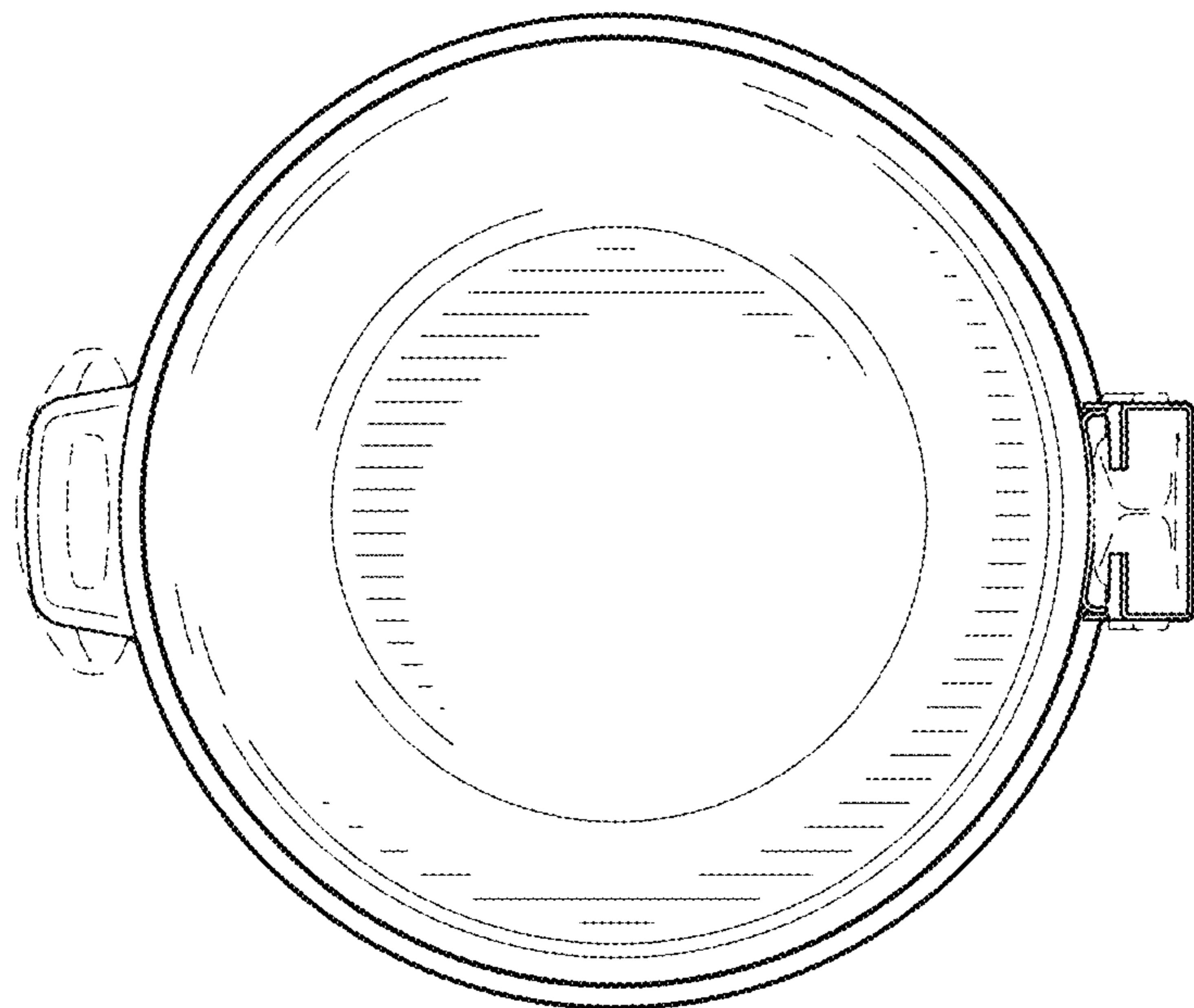


FIG. 16