



US00D774361S

(12) **United States Design Patent**
Laurain

(10) **Patent No.:** **US D774,361 S**
(45) **Date of Patent:** **** Dec. 20, 2016**

(54) **INTEGRATED BOWL AND ROUND DINING MAT**

(71) Applicant: **Lindsey Laurain**, Parker, CO (US)

(72) Inventor: **Lindsey Laurain**, Parker, CO (US)

(**) Term: **14 Years**

(21) Appl. No.: **29/518,945**

(22) Filed: **Feb. 27, 2015**

(51) **LOC (10) Cl.** **07-01**

(52) **U.S. Cl.**
USPC **D7/555; D7/553.8; D7/505; D6/616**

(58) **Field of Classification Search**
USPC D7/500, 503, 507, 509, 510, 511, 523, D7/529, 532, 533, 534, 535, 536, 537, D7/524, 586, 558, 552.2, 550.1, 553.2, D7/396.6, 401, 403, 584, 587, 698, 388, D7/555, 553.6, 553.4, 505, 553.8; D30/129, 130, 133; 220/574, 575, 635, 220/606, 630; 211/2; D11/143, 144, D11/153; D6/612, 613, 615, 616; D32/55, D32/57; 119/51.01, 61.54
CPC A47G 19/00; A47G 19/02; A47G 19/06; A47J 36/34; A47J 45/10; A01K 5/0135; A01K 5/0114
See application file for complete search history.

2,850,079 A * 9/1958 Prushnok A47G 19/10 248/310
3,734,062 A * 5/1973 O'Hara A01K 5/0135 119/61.54
D244,902 S * 7/1977 Vonder Haar D7/505
D255,208 S * 6/1980 Greger D7/388
4,938,373 A * 7/1990 McKee A47G 19/065 215/376
5,493,998 A * 2/1996 Warren A01K 5/0114 119/61.54
D370,314 S * 5/1996 Pearson-Falcon D30/130
D371,276 S * 7/1996 Laib D7/388
5,605,247 A * 2/1997 Earnshaw A47D 1/00 220/571
5,641,140 A * 6/1997 Sorenson A47B 13/16 248/205.3
D382,377 S * 8/1997 Rothert D30/129
D391,118 S * 2/1998 Jørgensen D7/584
5,758,598 A * 6/1998 Rothert A01K 5/01 119/515
D402,501 S * 12/1998 Powers D7/357
D402,851 S * 12/1998 Stauffer D7/505
D423,732 S * 4/2000 McGee D30/129
D442,831 S * 5/2001 Jacobs D7/584
D477,971 S * 8/2003 Maier-Aichen D7/584
D485,127 S * 1/2004 Maier-Aichen D7/584
D516,867 S * 3/2006 Martin D7/586
D536,277 S * 2/2007 Cabeza D11/152
D538,814 S * 3/2007 Cranford D14/459
(Continued)

Primary Examiner — Marianne Pandozzi
Assistant Examiner — Jae Liang
(74) *Attorney, Agent, or Firm* — Williams Intellectual Property; Benjamin F. Williams

(56) **References Cited**

U.S. PATENT DOCUMENTS

491,702 A * 2/1893 Felix A01K 5/0135 119/61.54
1,507,968 A * 9/1924 Johnson G01F 19/00 73/427
1,575,597 A * 3/1926 Bothe A47G 19/02 220/574
D102,968 S * 1/1937 Farber 220/23.83
2,315,591 A * 4/1943 Carew A47G 19/02 220/574
2,813,509 A * 11/1957 Bruno A01K 5/0114 119/51.01

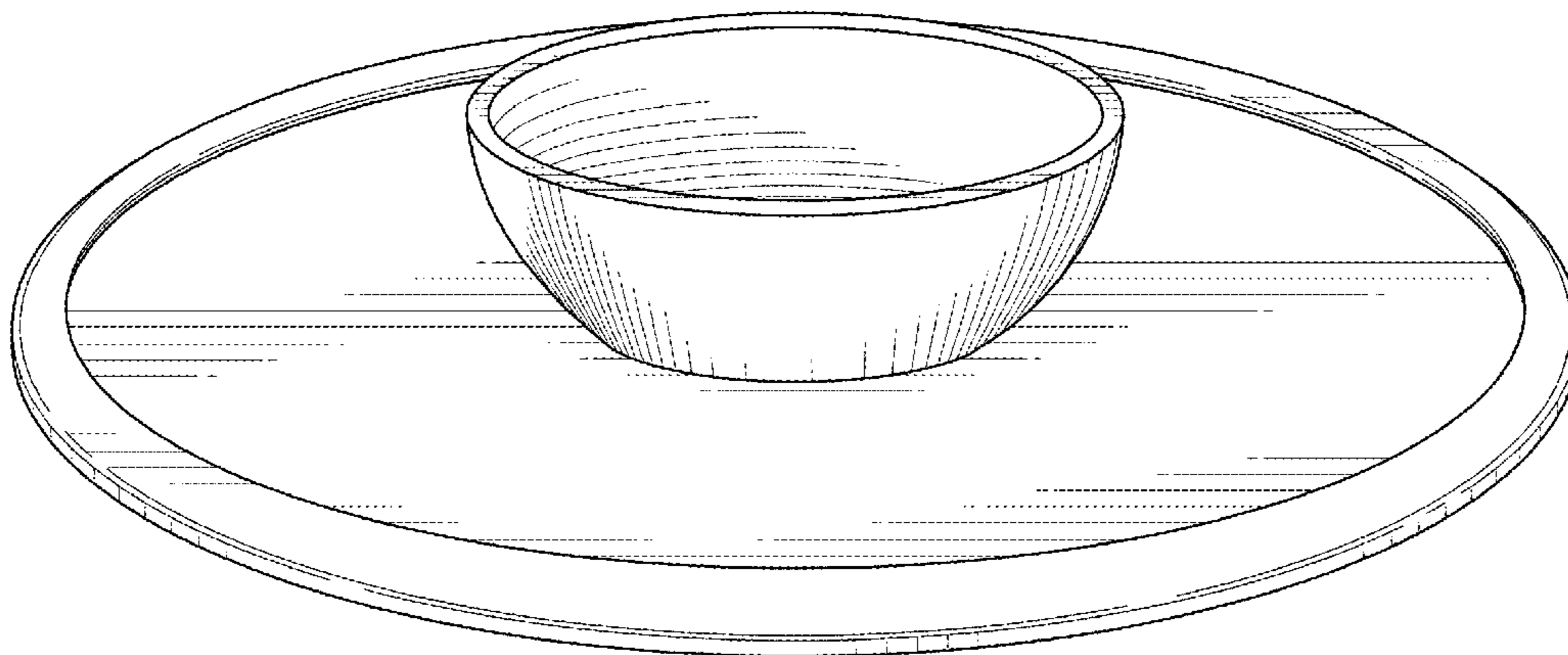
(57) **CLAIM**

The ornamental design for an integrated bowl and round dining mat, as shown and described.

DESCRIPTION

FIG. 1 is an elevated perspective view of an integrated bowl and round dining mat showing my new design; and, FIG. 2 is a top view thereof.

1 Claim, 2 Drawing Sheets



(56)

References Cited

U.S. PATENT DOCUMENTS

D539,094	S	*	3/2007	Wasserman	D7/584
D547,615	S	*	7/2007	Wasserman	D7/542
D550,407	S	*	9/2007	Spiwak	D30/129
D554,941	S	*	11/2007	Mansfield	D7/396.2
D568,113	S	*	5/2008	Wasserman	D7/586
D594,097	S	*	6/2009	Toyohara	D23/293.1
D601,310	S	*	9/2009	Greenan	D30/129
D613,126	S	*	4/2010	Warner	D7/584
D659,913	S	*	5/2012	Spectre	D30/130
D667,277	S	*	9/2012	Belitz	D7/619.1
2005/0229793	A1	*	10/2005	Wengrovsky	A47G 19/02 99/483

* cited by examiner

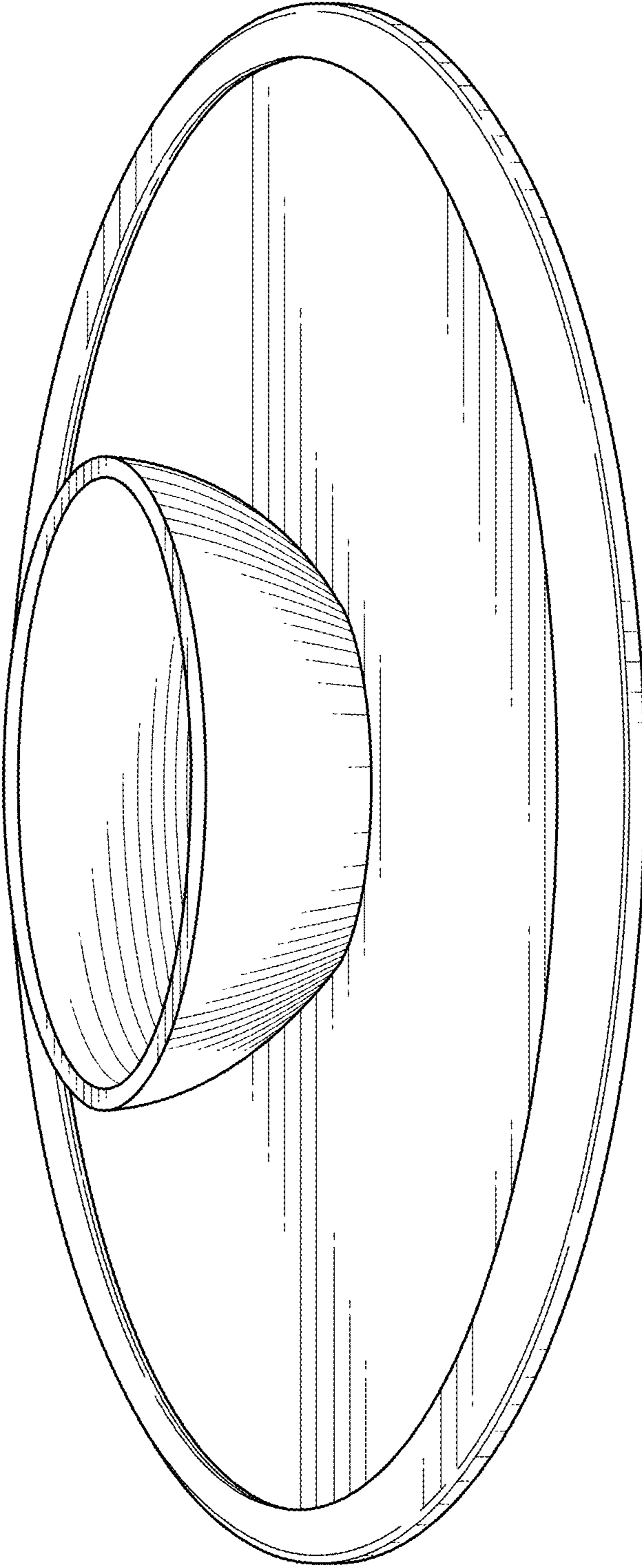


FIG. 1

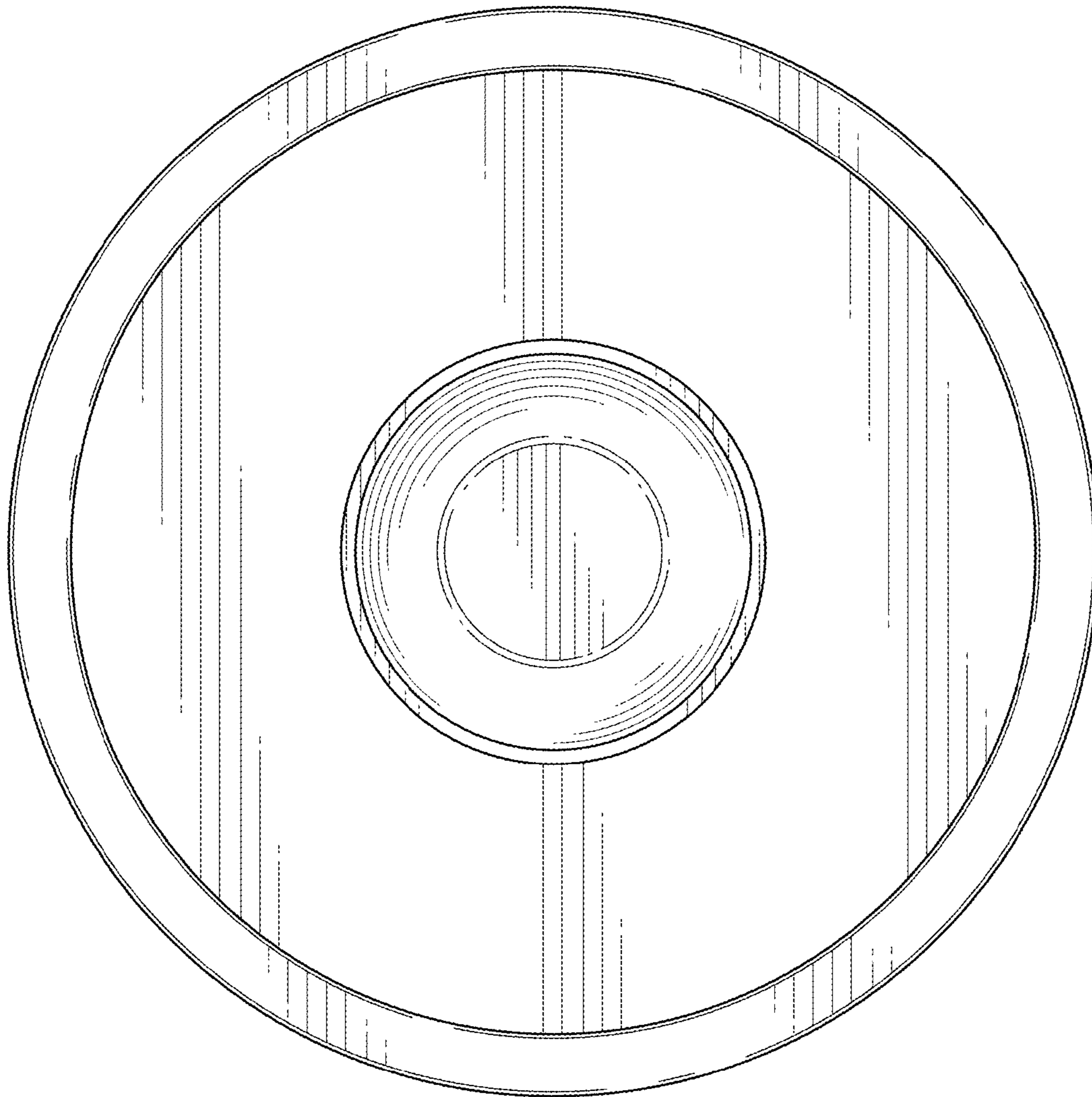


FIG. 2