



US00D774357S

(12) **United States Design Patent** (10) **Patent No.:** **US D774,357 S**
Palin et al. (45) **Date of Patent:** **** Dec. 20, 2016**

(54) **BOTTLE**

(71) Applicant: **PepsiCo, Inc.**, Purchase, NY (US)

(72) Inventors: **Drew Alexander Read Palin**, Kenilworth, IL (US); **Sean Joseph Huls**, Chicago, IL (US); **Brandon Scott Rhodes**, Chicago, IL (US); **Xavi Cortadellas**, Miami Beach, FL (US); **Tucker Fort**, Brooklyn, NY (US); **Laura Sink**, Brooklyn, NY (US); **Alexander Ian James Wastney**, Brooklyn, NY (US); **John Lester Ostby**, Seattle, WA (US); **Matthew Schmunk**, Portland, OR (US)

(73) Assignee: **PepsiCo, Inc.**, Purchase, NY (US)

(**) Term: **15 Years**

(21) Appl. No.: **29/535,914**

(22) Filed: **Aug. 11, 2015**

(51) **LOC (10) Cl.** **07-01**

(52) **U.S. Cl.**

USPC **D7/510**; D7/511; D7/523; D9/503

(58) **Field of Classification Search**

USPC D7/507-512, 523, 529-533, 536, 300, D7/300.1, 591, 608, 629, 630, 400, 624.1, D7/624.2, 395, 396.2, 393, 396.4; D9/500, 501, 502, 522, 556, 567, 569, D9/571, 554, 776, 763, 767, 772, 432, D9/429, 702, 710, 707, 503, 504, 447; D8/90, 93, 321, 107; 220/592.16, 592.17, 220/592.12, 592.14, 592.15, 62.12, 62.13, 220/669, 751; 215/387, 18, 42; D3/201, D3/202, 314; D30/127; D5/53, 47, 58, 61, D5/2, 4
CPC A47G 19/22; A47G 19/2227; A47G 19/02; A47G 19/025; A47G 19/2288; Y10S 220/903

See application file for complete search history.

(56) **References Cited**

U.S. PATENT DOCUMENTS

D408,221	S	*	4/1999	Asberg	D7/511
D584,107	S	*	1/2009	George	D7/510
8,051,674	B2	*	11/2011	Roth	A45F 3/16 62/457.3
D655,569	S	*	3/2012	Lipson	D7/509
D657,194	S	*	4/2012	McIntire	D7/510
D667,265	S	*	9/2012	George	D7/396.2
D674,279	S	*	1/2013	Lembke	D7/509
D686,918	S	*	7/2013	Lembke	D9/500
D736,562	S	*	8/2015	Green	D7/510
D752,435	S	*	3/2016	Willows	D9/447
D760,027	S	*	6/2016	Meyers	D7/510
2014/0144870	A1	*	5/2014	Brosius	A45F 3/18 215/387
2016/0200486	A1	*	7/2016	Meyers	B65D 47/247 215/229

* cited by examiner

Primary Examiner — Marianne Pandozzi

Assistant Examiner — Jae Liang

(74) *Attorney, Agent, or Firm* — Sterne, Kessler, Goldstein & Fox P.L.L.C.

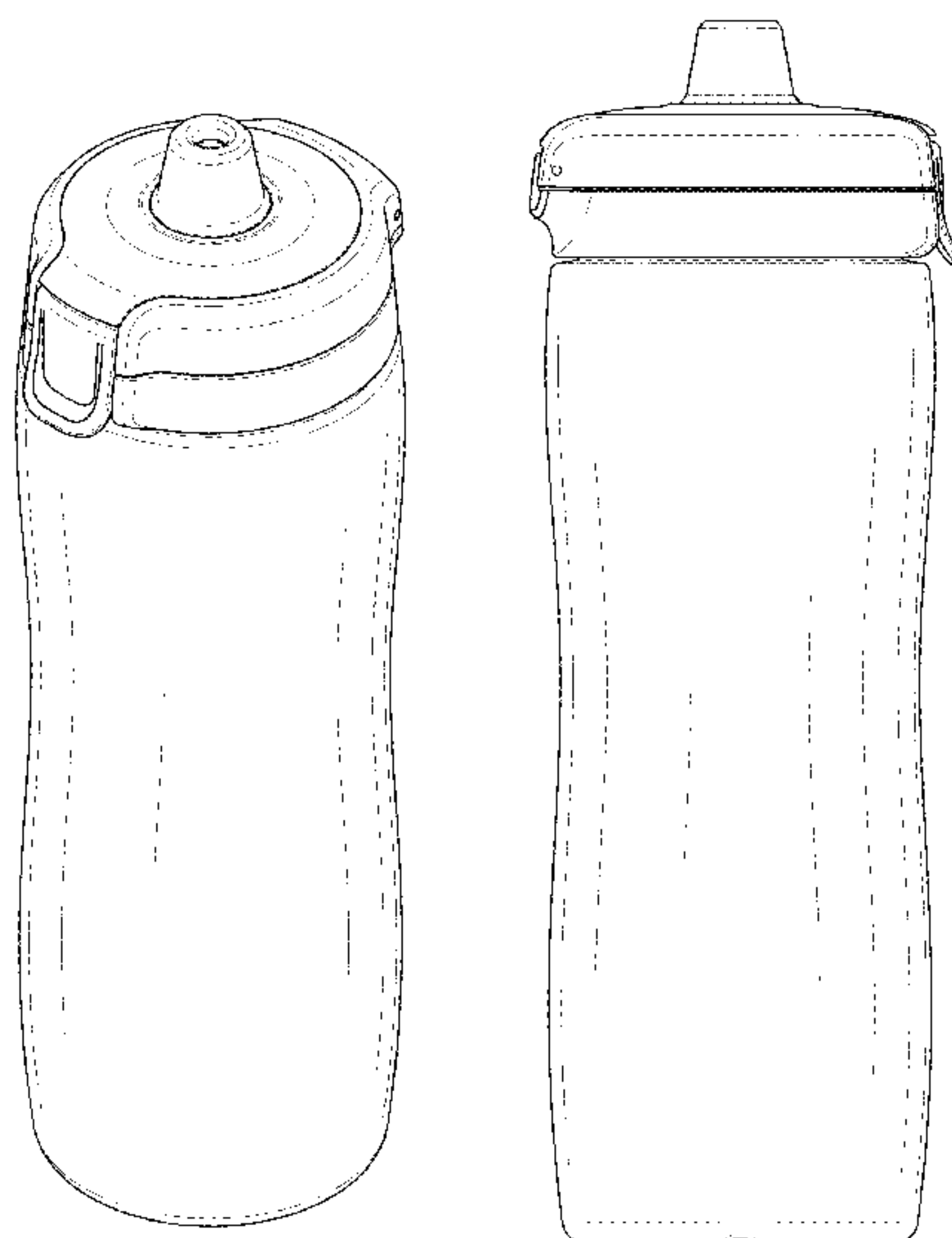
(57) **CLAIM**

The ornamental design for a bottle, as shown and described.

DESCRIPTION

FIG. 1 is a top front perspective view of a bottle showing our new design;
FIG. 2 is a bottom rear perspective view thereof;
FIG. 3 is a front view thereof;
FIG. 4 is a rear view thereof;
FIG. 5 is a left side view thereof;
FIG. 6 is a right side view thereof;
FIG. 7 is a top view thereof; and,
FIG. 8 is a bottom view thereof.

1 Claim, 7 Drawing Sheets



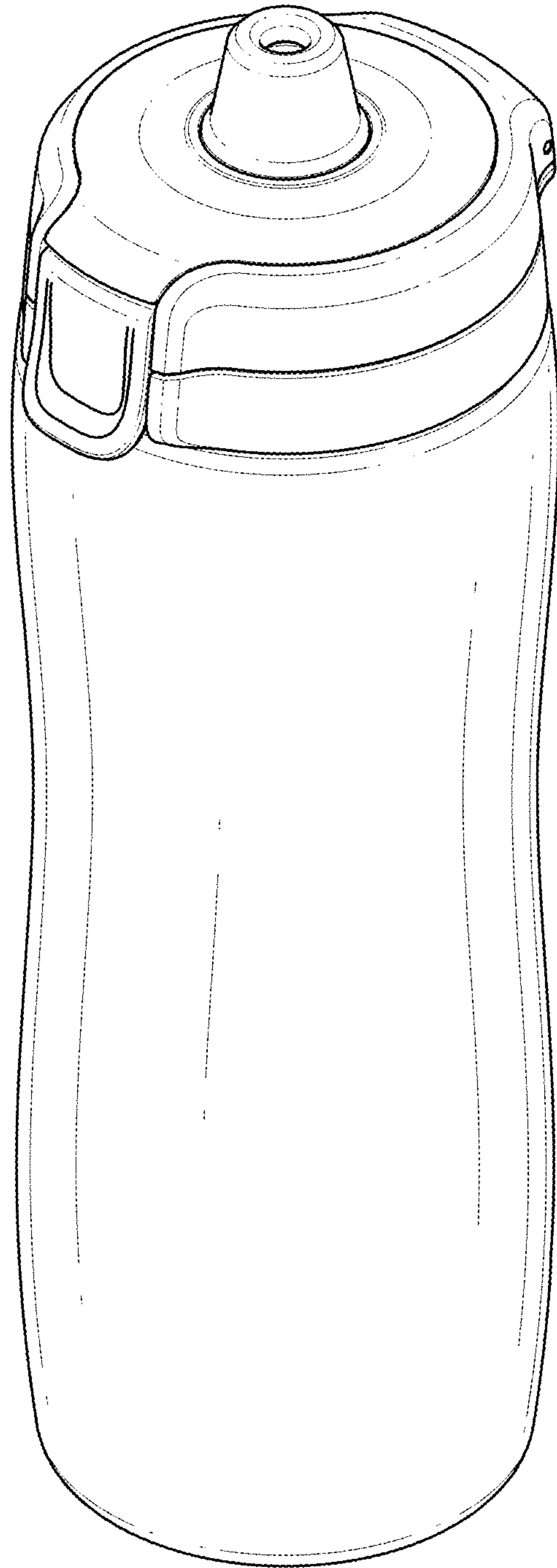


FIG. 1

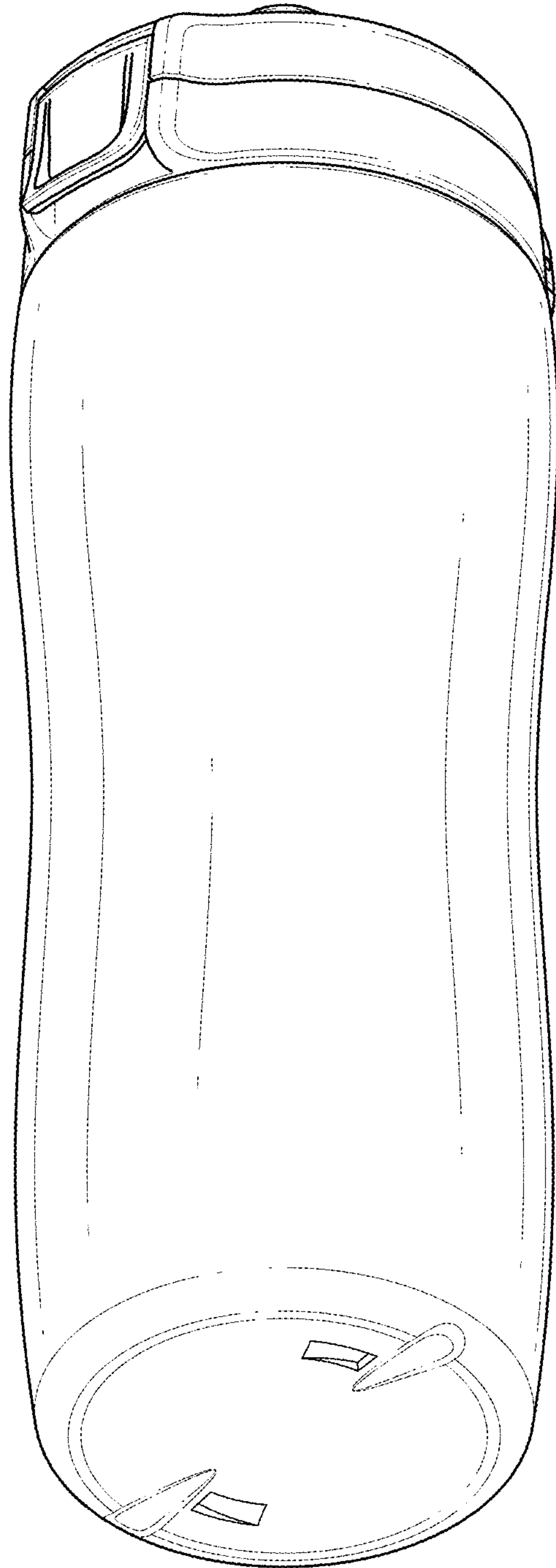


FIG. 2

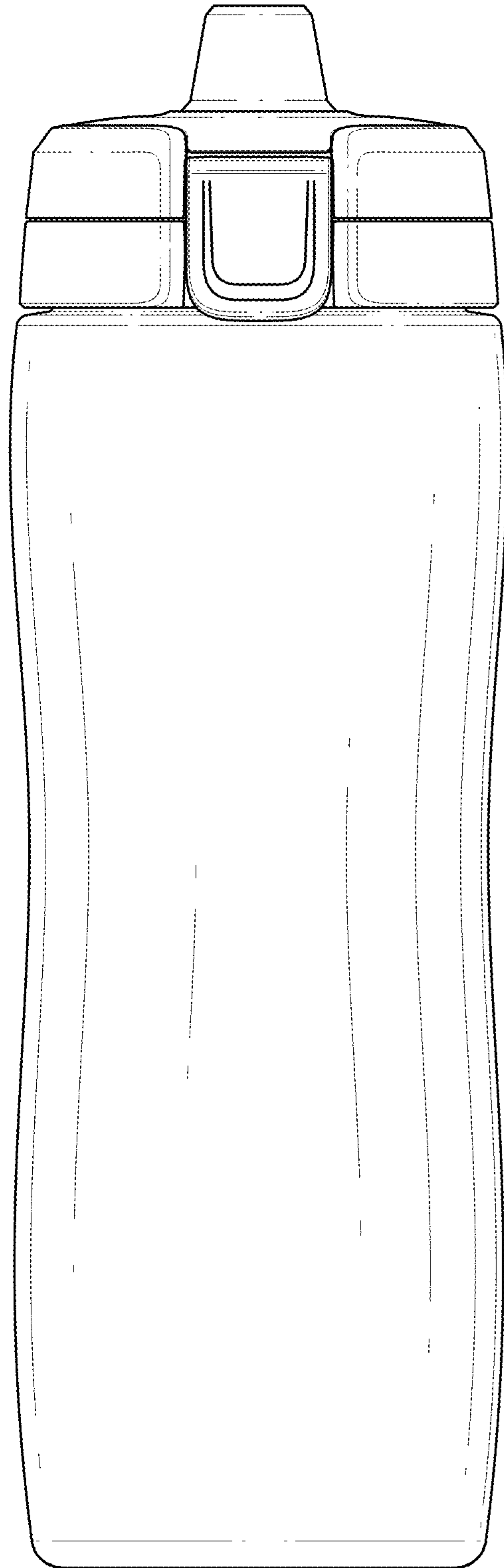


FIG. 3

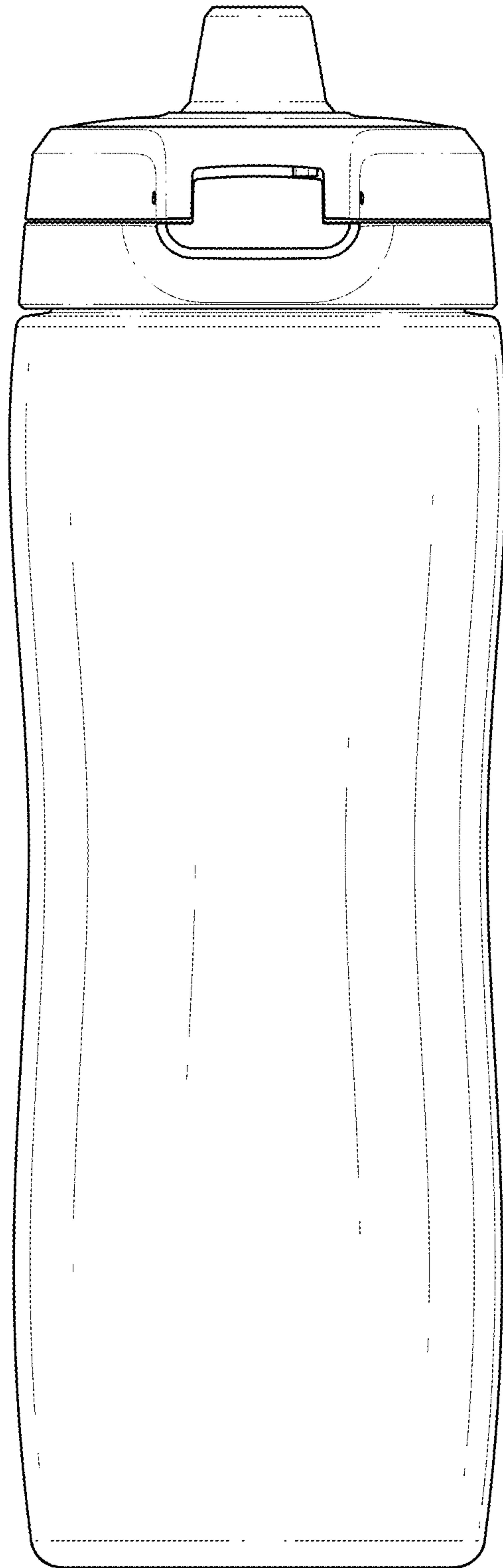


FIG. 4

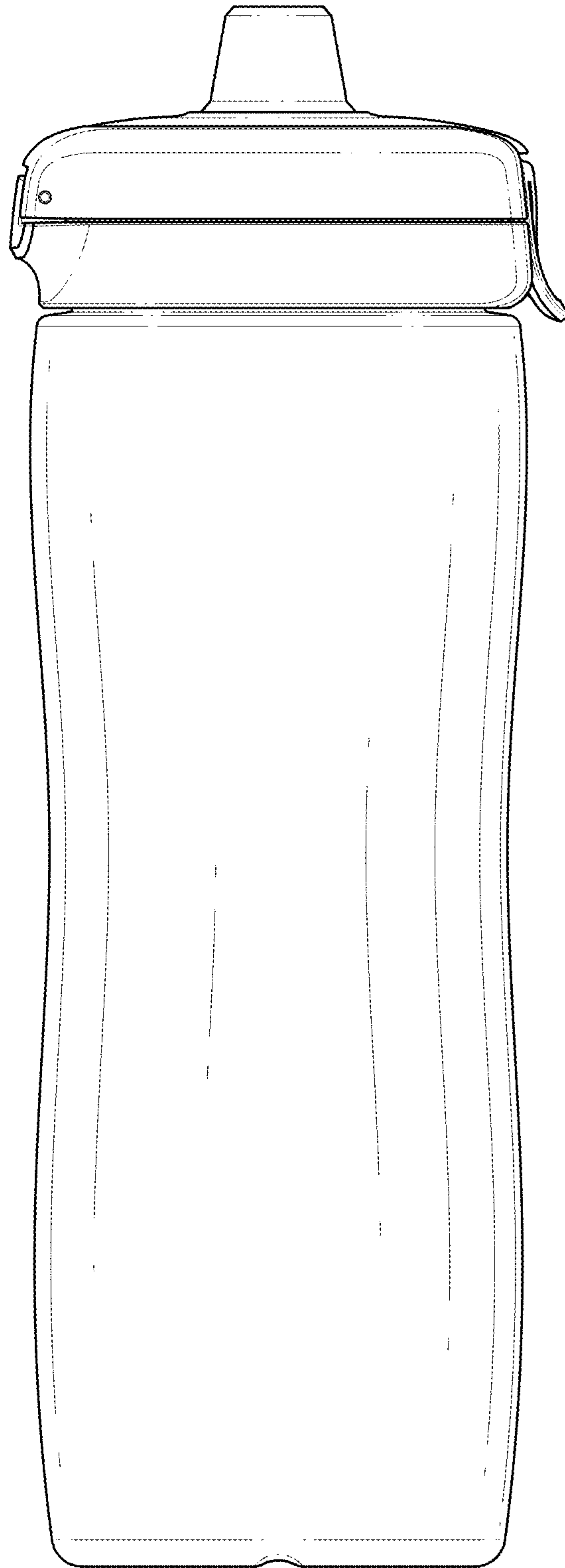


FIG. 5

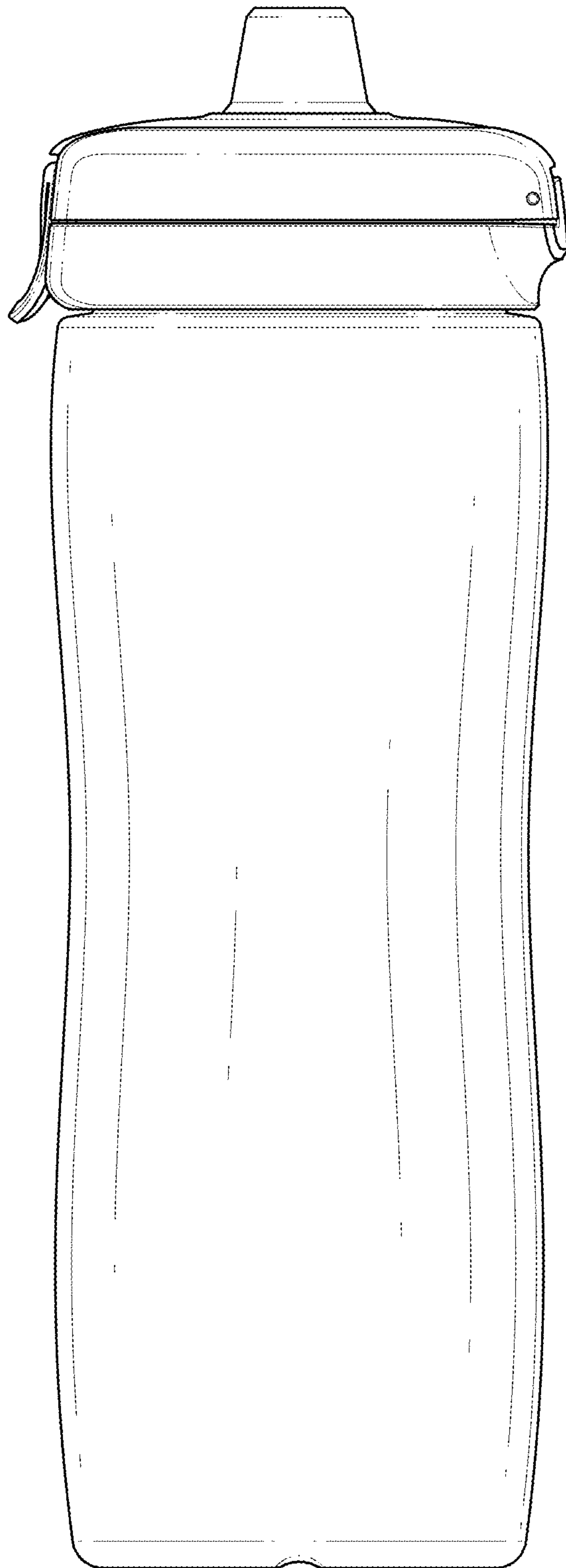


FIG. 6

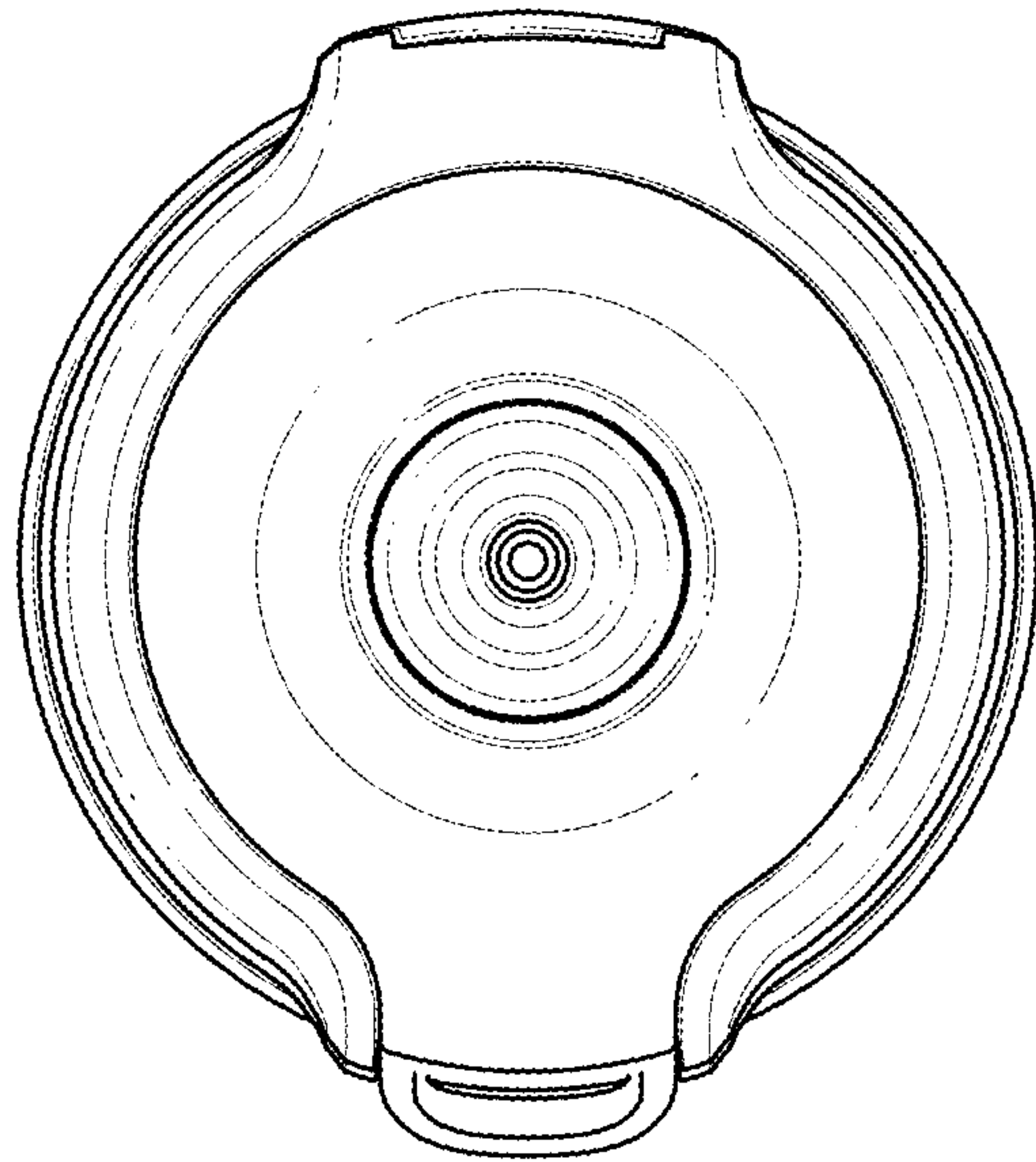


FIG. 7

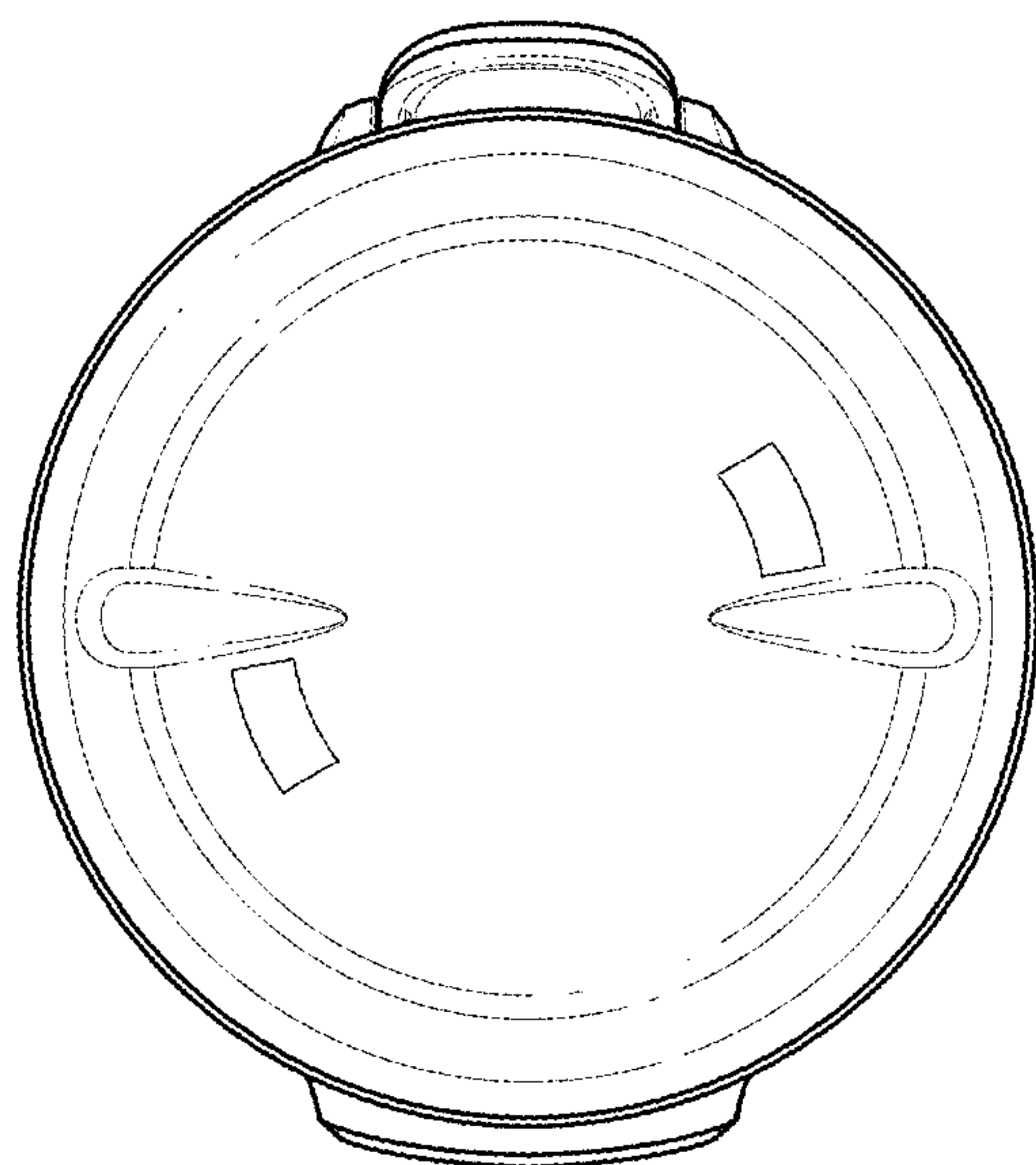


FIG. 8