



US00D774356S

(12) **United States Design Patent** (10) **Patent No.:** **US D774,356 S**
Maiorana et al. (45) **Date of Patent:** **** Dec. 20, 2016**

(54) **RIB RACK**
(71) Applicant: **Academy, Ltd., Katy, TX (US)**
(72) Inventors: **Joseph C. Maiorana, Katy, TX (US);
Alexandra Adams, Katy, TX (US);
Christopher M. Williford, Katy, TX (US)**
(73) Assignee: **Academy, Ltd., Katy, TX (US)**
(**) Term: **14 Years**
(21) Appl. No.: **29/518,828**
(22) Filed: **Feb. 27, 2015**
(51) **LOC (10) Cl.** **07-02**
(52) **U.S. Cl.**
USPC **D7/409**
(58) **Field of Classification Search**
USPC D7/401, 401.1, 402, 407, 409, 600, 602;
99/324-325, 331-332, 337-340, 369,
99/403-418, 425-426, 44, 450; 119/161,
119/166; 126/25 A, 41 R, 275 R, 380.1,
126/390.1; 220/485, 491, 573.1-573.5,
220/759; D32/55
CPC A47J 37/0694; A47J 37/0704
See application file for complete search history.

(56) **References Cited**
U.S. PATENT DOCUMENTS
2,137,369 A * 11/1938 Terry A47J 37/0694
211/120
2,205,064 A 6/1940 Irwin
D203,857 S 2/1966 Schieler
D237,849 S * 12/1975 Hale D6/678.3
D260,227 S 8/1981 Bentson
4,559,869 A 12/1985 Hogan
D297,489 S * 9/1988 Chap D6/675.5
4,848,217 A 7/1989 Koziol
D308,317 S 6/1990 Koziol

4,950,524 A * 8/1990 Hacker B32B 3/28
219/732
D353,923 S * 12/1994 Drake D32/55
5,562,023 A * 10/1996 Harrison A47J 37/0704
126/337 R
5,572,924 A * 11/1996 Crnjanski A47J 37/0694
99/426
D387,949 S 12/1997 Bentson
5,730,046 A 3/1998 Battaglia et al.
6,116,153 A 9/2000 Burrows
6,595,120 B1 * 7/2003 Tiemann A47J 37/0694
211/181.1
D479,435 S * 9/2003 Siegel D7/409
6,827,006 B1 12/2004 D'Amato et al.
6,945,161 B1 9/2005 Battaglia et al.
7,040,219 B1 5/2006 D'Amato et al.
D532,653 S 11/2006 Molayem

(Continued)

Primary Examiner — Robin V Webster
Assistant Examiner — Rachel Voorhies
(74) *Attorney, Agent, or Firm* — Kilpatrick Townsend & Stockton LLP

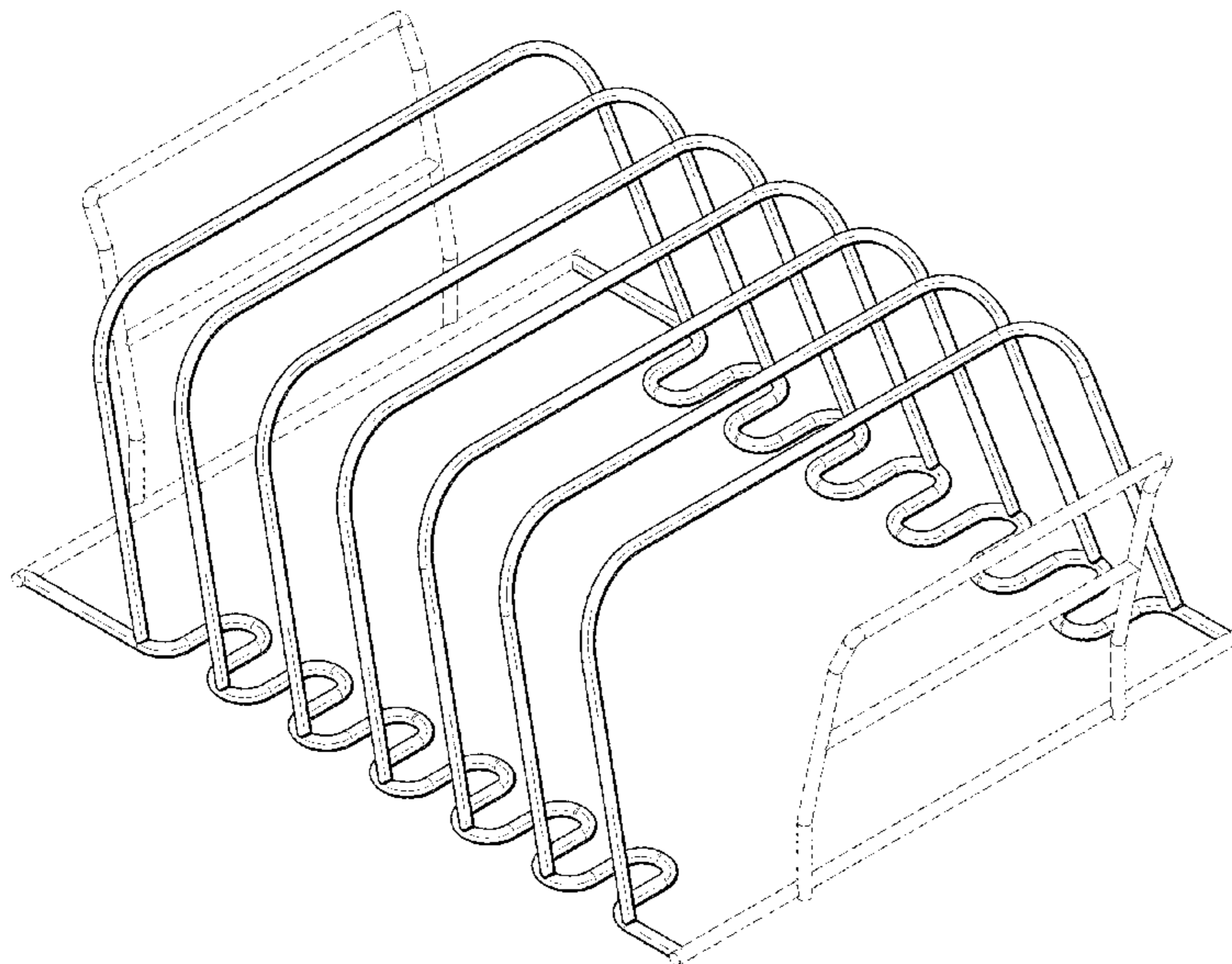
(57) **CLAIM**

The ornamental design for a rib rack, as shown and described.

DESCRIPTION

FIG. 1 is an isometric view of a rib rack.
FIG. 2 is another isometric view of the rib rack of FIG. 1.
FIG. 3 is a right side view of the rib rack of FIG. 1, the left side view being a mirror image of the right side view.
FIG. 4 is a front view of the rib rack of FIG. 1, the rear view being a mirror image of the front view.
FIG. 5 is a top view of the rib rack of FIG. 1; and,
FIG. 6 is a bottom view of the rib rack of FIG. 1.
The broken line showing is included for the purpose of illustrating portions of the rib rack that form no part of the claimed design.

1 Claim, 5 Drawing Sheets



(56)

References Cited

U.S. PATENT DOCUMENTS

D534,395 S *	1/2007	Home	D7/409	D736,566 S *	8/2015	Tsai	D7/601
D538,106 S	3/2007	Julian			D741,650 S *	10/2015	Bombard	D7/409
D542,092 S	5/2007	Raichlen et al.			D760,983 S *	7/2016	Eilmus	D32/55
7,281,469 B1	10/2007	Barbour et al.			D760,984 S *	7/2016	Eilmus	D32/55
D555,203 S *	11/2007	Goodman	D19/90	2005/0011371 A1 *	1/2005	Siegel	A47J 43/18
D559,491 S *	1/2008	Yang	D32/55					99/426
D568,684 S	5/2008	Tiemann			2008/0314846 A1 *	12/2008	Klein	A47J 47/16
D583,119 S *	12/2008	Sofy	D32/55					211/41.11
D639,613 S *	6/2011	Goodman	D19/90	2009/0173703 A1 *	7/2009	Einbinder	A47J 47/16
D648,174 S	11/2011	Lu							211/41.11
D651,463 S *	1/2012	Baacke	D7/406	2010/0230404 A1	9/2010	Sigler		
D658,939 S	5/2012	Adams et al.			2010/0236424 A1 *	9/2010	Krent	A47J 36/22
D667,655 S *	9/2012	Goodman	D6/683					99/450
D668,103 S	10/2012	Cloutier et al.			2012/0024169 A1 *	2/2012	Hsu	A47J 37/042
D694,580 S	12/2013	Cloutier et al.							99/450
8,627,764 B1	1/2014	Cloutier et al.			2015/0164276 A1 *	6/2015	Crow	A47J 37/0694
D699,073 S *	2/2014	Cheung	D7/402					99/444
D699,413 S *	2/2014	Huang	D32/55	2015/0342402 A1 *	12/2015	Bombard	A47J 37/0694
D702,501 S *	4/2014	Hand	D7/354					99/448
D723,344 S *	3/2015	Goodman	D7/704	2016/0029839 A1 *	2/2016	Wohld	A47J 43/18
									248/175

* cited by examiner

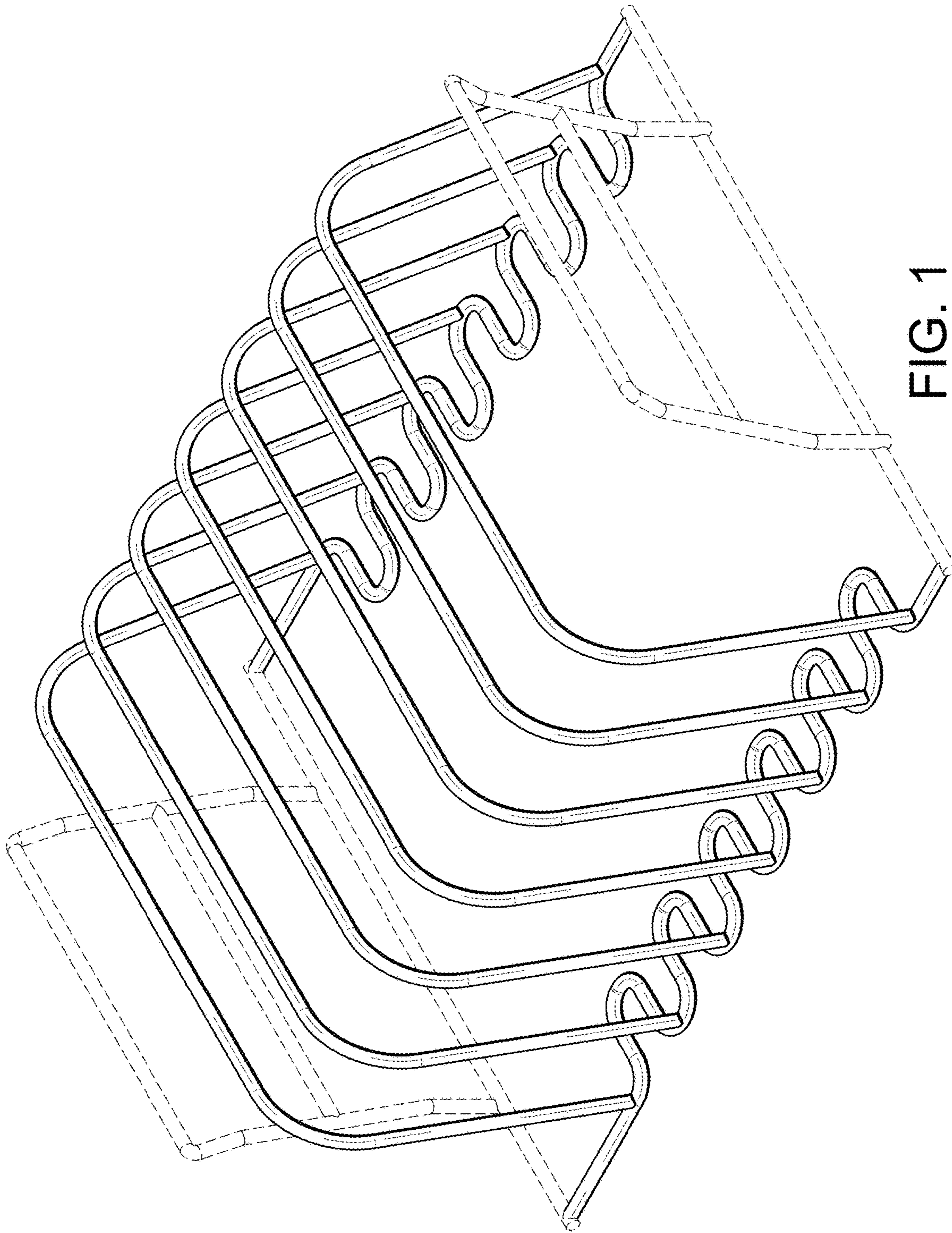


FIG. 1

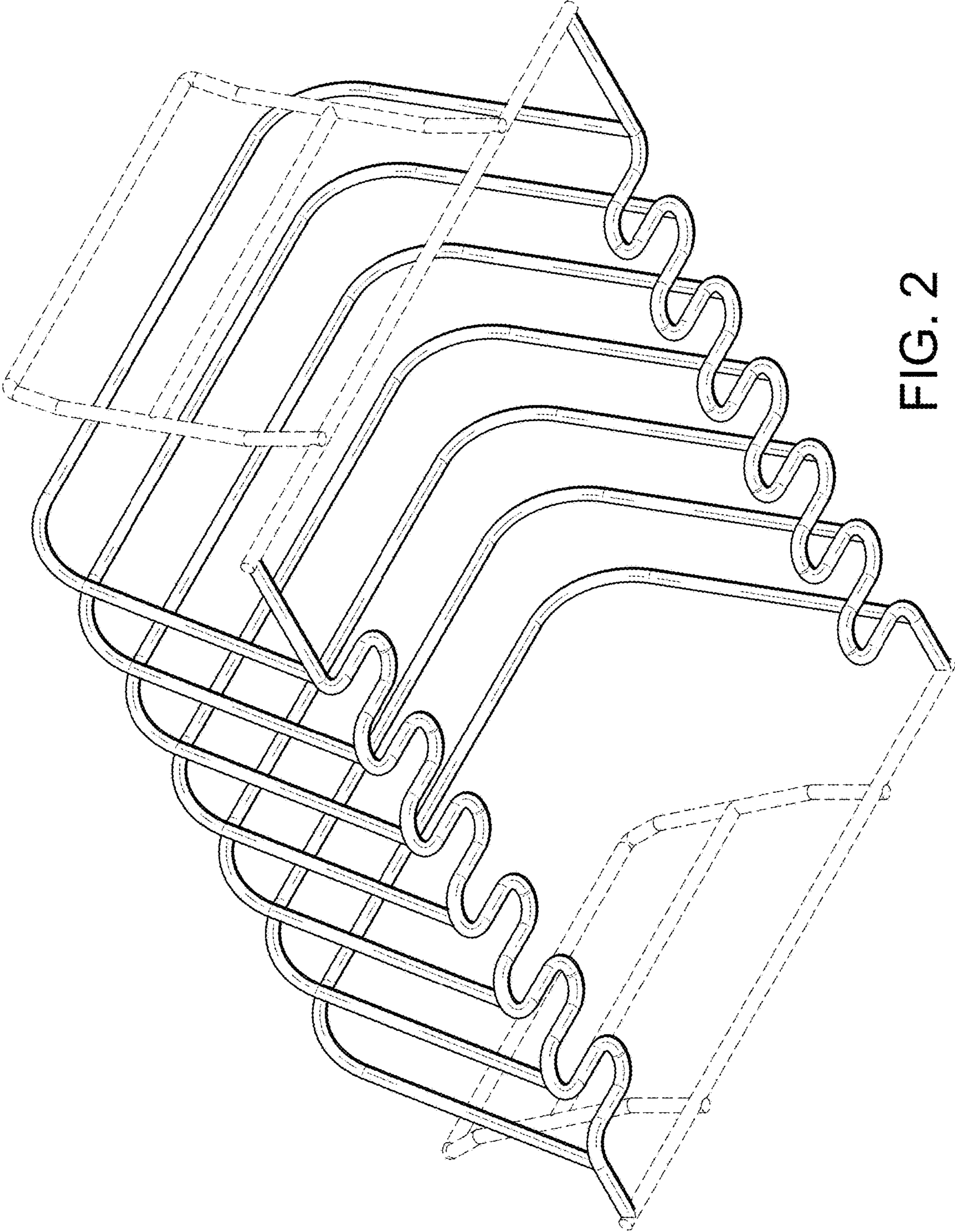


FIG. 2

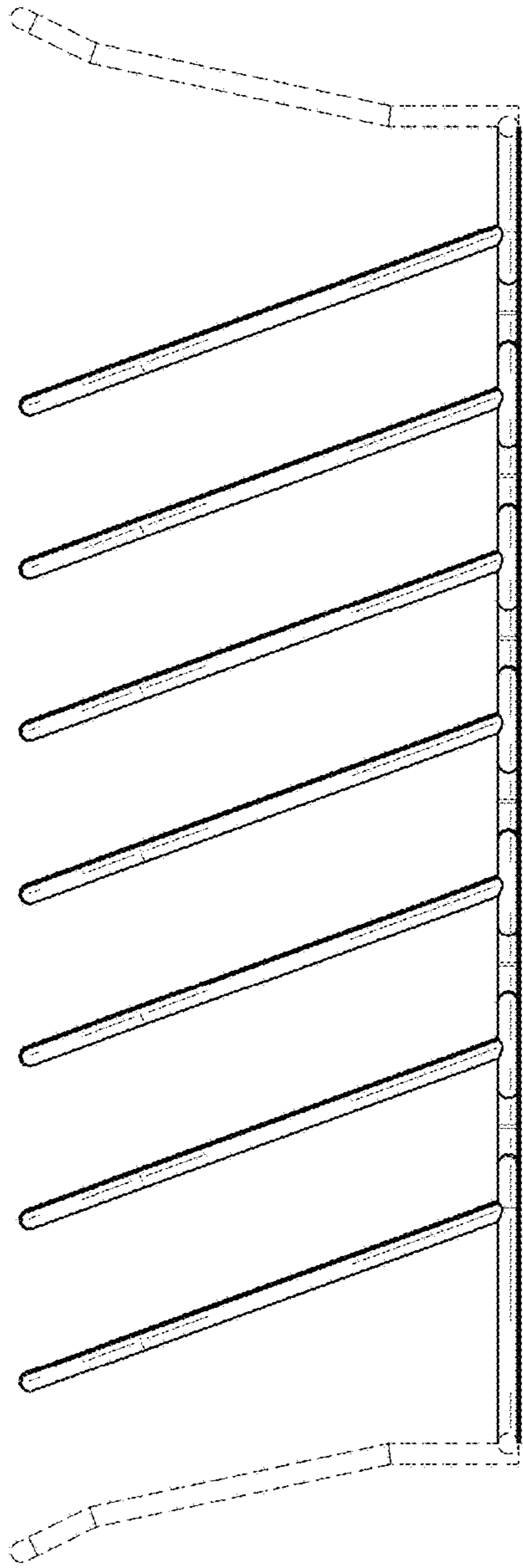


FIG. 3

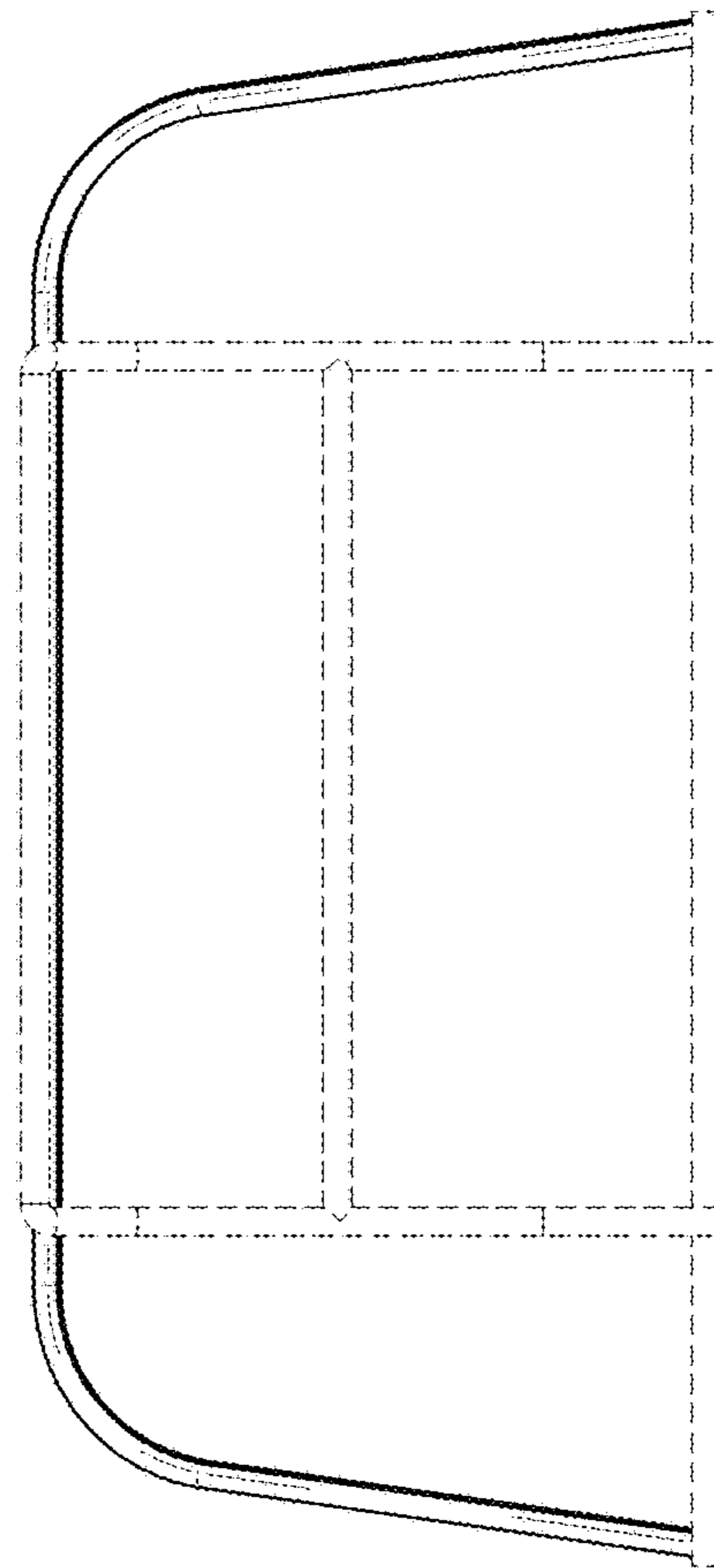


FIG. 4

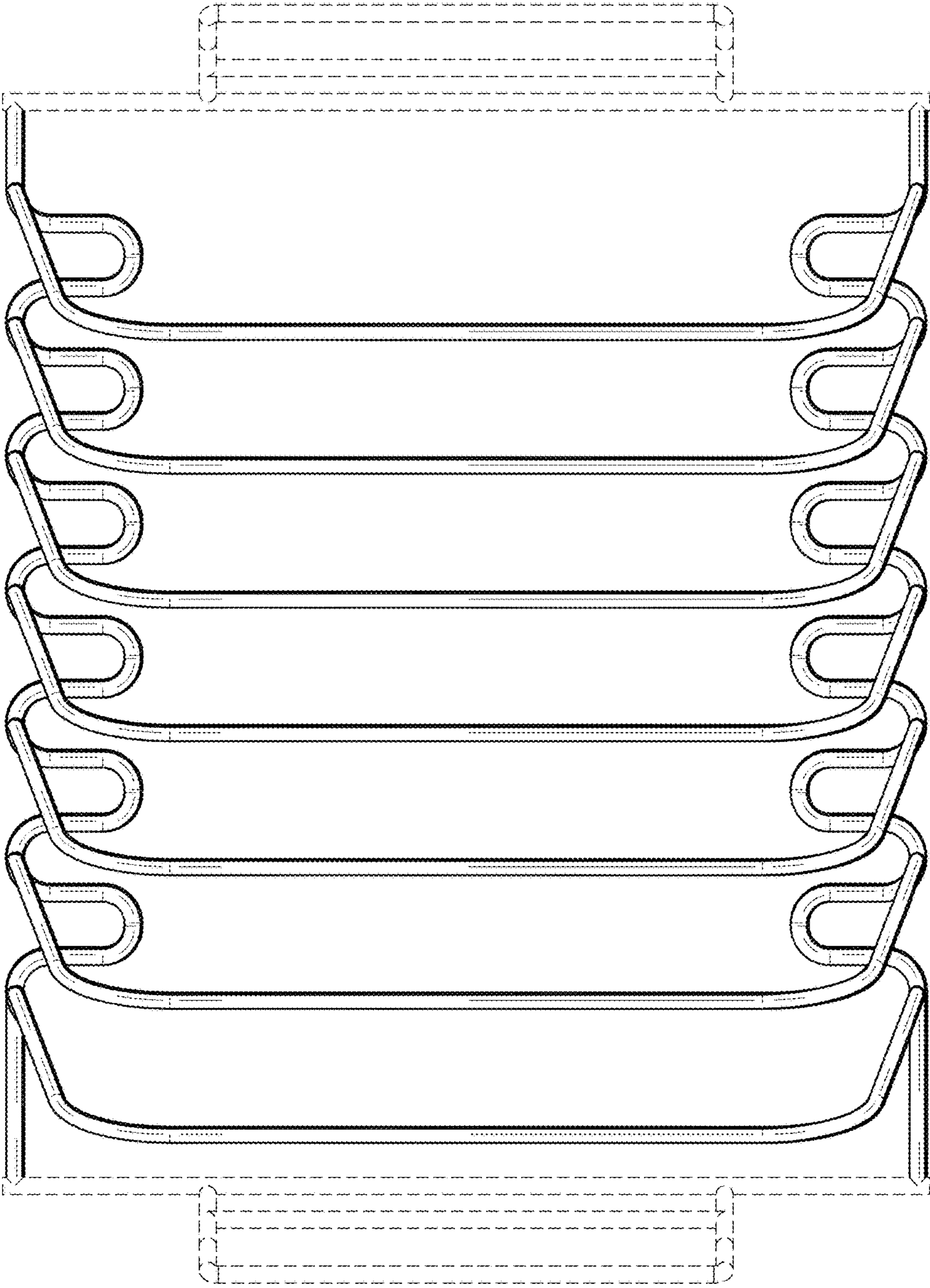


FIG. 5

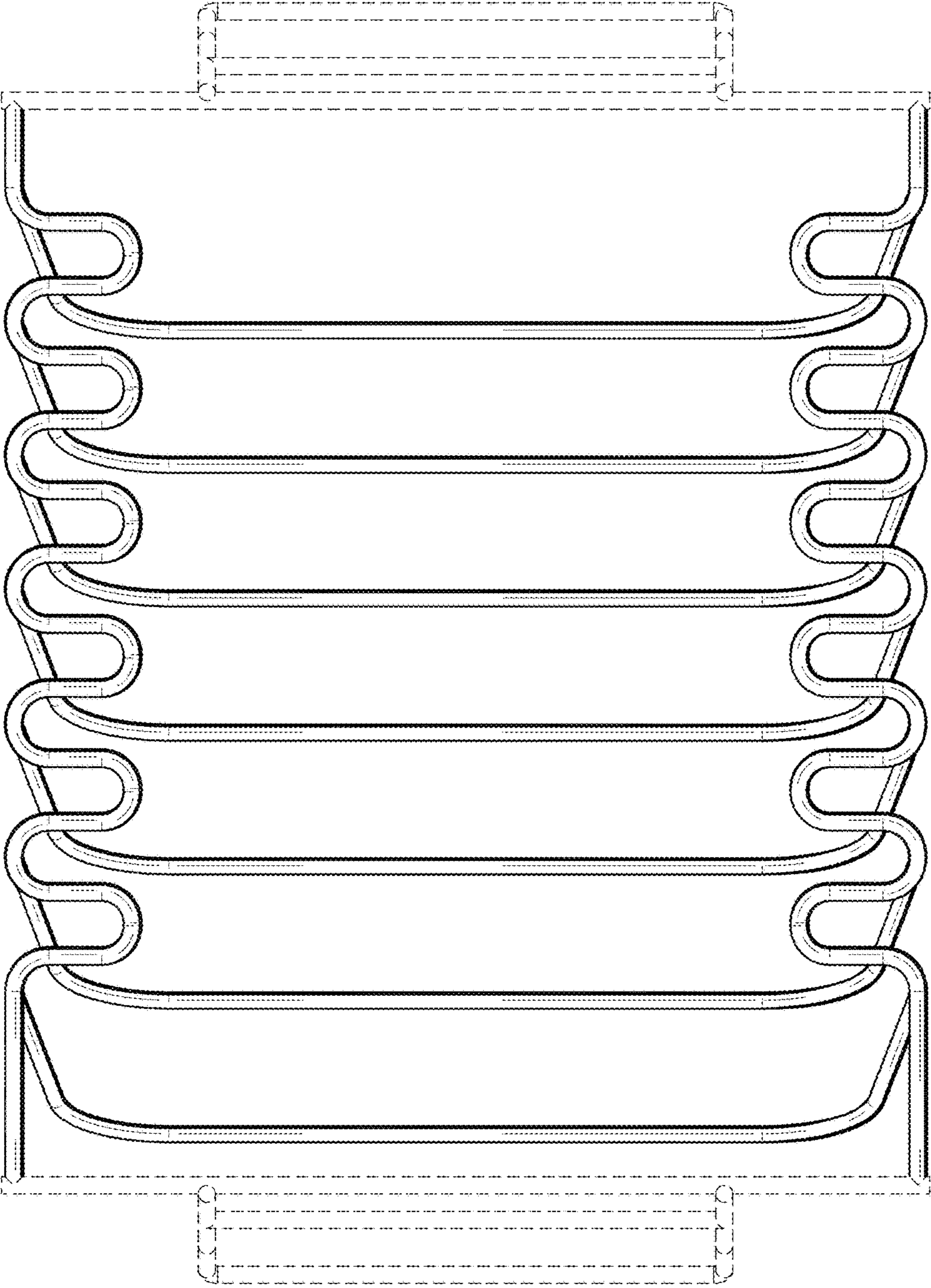


FIG. 6