



US00D774355S

(12) **United States Design Patent** (10) **Patent No.:** **US D774,355 S**
Roberson et al. (45) **Date of Patent:** **** Dec. 20, 2016**

(54) **DOOR FOR A MICROWAVE OVEN**

(56) **References Cited**

(71) Applicant: **BSH Home Appliances Corporation**,
Irvine, CA (US)

U.S. PATENT DOCUMENTS

(72) Inventors: **Andrew Roberson**, Long Beach, CA
(US); **Graham Sadtler**, Huntington
Beach, CA (US)

D413,758 S *	9/1999	Hessen	D7/351
D477,177 S *	7/2003	Jeong	D7/340
D521,317 S *	5/2006	Hessen	D7/340
D525,476 S *	7/2006	Bengtson	D7/349
D525,830 S *	8/2006	Pryor	D7/405
D530,152 S *	10/2006	Pryor	D7/405
D535,848 S *	1/2007	Jeon	D7/351
D536,207 S *	2/2007	Ostlund	D7/340
D536,208 S *	2/2007	Ostlund	D7/340
D536,568 S *	2/2007	Ostlund	D7/340
D539,592 S *	4/2007	Jeon	D7/350.1
D550,024 S *	9/2007	Jeon	D7/350.1
D584,563 S *	1/2009	Sakata	D7/351
D594,692 S *	6/2009	Shin	D7/348
D604,987 S *	12/2009	Jung	D7/348
D613,990 S *	4/2010	Baek	D7/351
D615,804 S *	5/2010	Baek	D7/351

(73) Assignee: **BSH Home Appliances Corporation**,
Irvine, CA (US)

(**) Term: **15 Years**

(21) Appl. No.: **29/531,628**

(22) Filed: **Jun. 29, 2015**

Related U.S. Application Data

(62) Division of application No. 29/468,774, filed on Oct. 3, 2013, now Pat. No. Des. 738,682, which is a division of application No. 29/443,936, filed on Jan. 24, 2013, now Pat. No. Des. 696,069, which is a division of application No. 29/416,432, filed on Mar. 22, 2012, now Pat. No. Des. 678,721.

Primary Examiner — T. Chase Nelson

Assistant Examiner — Mark Cavanna

(74) *Attorney, Agent, or Firm* — Michael E. Tschupp;
Andre Pallapies

(51) **LOC (10) Cl.** **07-02**

(52) **U.S. Cl.**
USPC **D7/406**

(58) **Field of Classification Search**
USPC D7/339-341, 346-349, 402-408, 351,
D7/350.1; 126/39 R, 39 F, 39 C, 39 B,
126/211, 214 R, 21 A, 19 R, 19 M, 219 R;
219/391-392, 395; D25/55, 48.1; D32/2,
D32/3, 6, 8; D6/300, 663, 657, 660-661;
D15/81; D23/354, 370-371, 386-388,
D23/392
CPC F24C 3/085; F24C 3/027; F24C 15/10;
F24C 15/12; F24C 14/02; F24C
7/00; F24C 7/06; F24B 5/08; A47F 3/00;
A47F 3/005; A47B 88/00

See application file for complete search history.

(Continued)

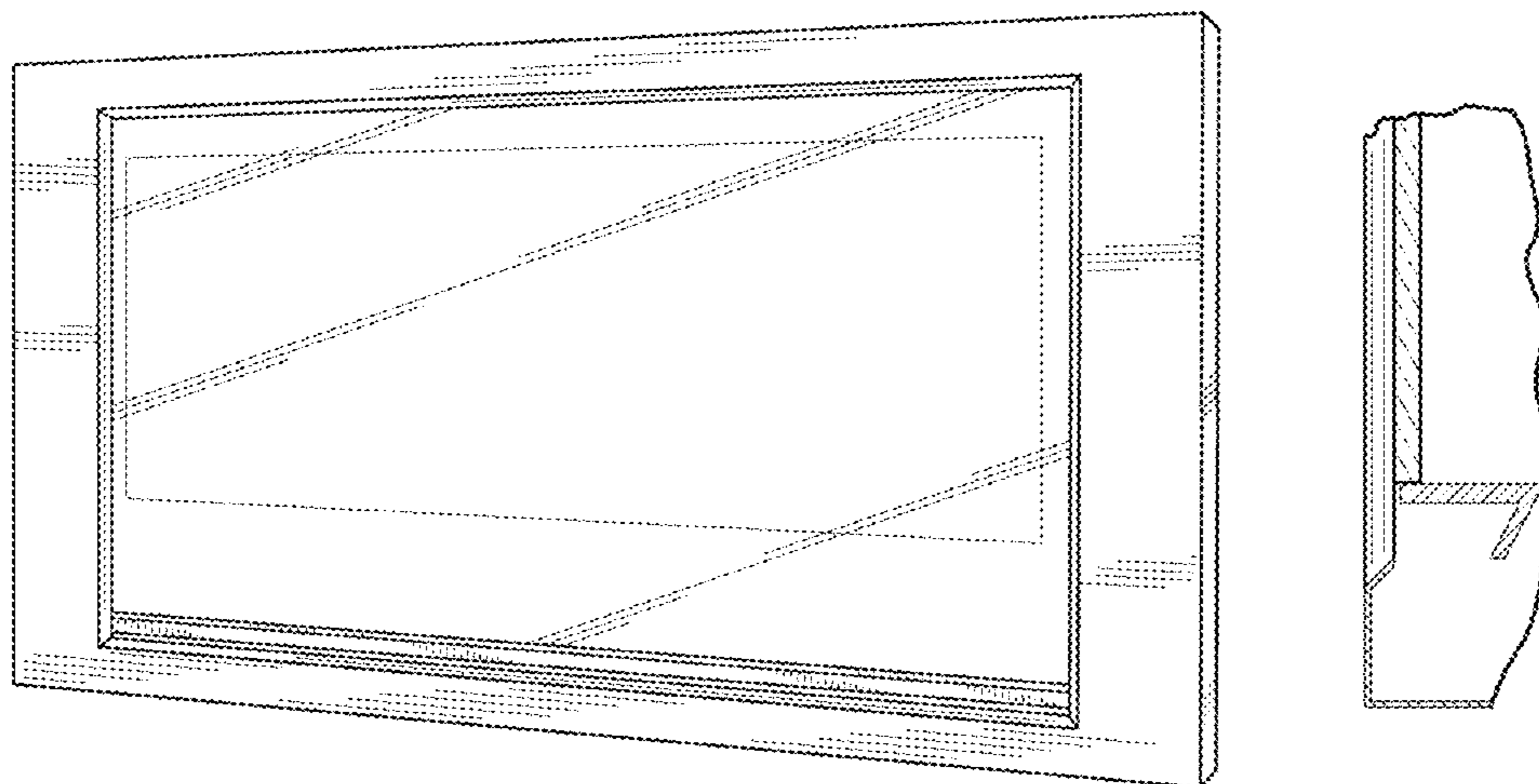
(57) **CLAIM**

The ornamental design for a door for microwave oven, as shown and described.

DESCRIPTION

FIG. 1 is a front perspective view of a door for microwave oven according to our new ornamental design; FIG. 2 is a front view thereof; FIG. 3 is another perspective view thereof; and, FIG. 4 is a cross section taken along lines 4-4 of FIG. 2. The broken lines seen on the surface of the door for a microwave oven indicating the location where the partial cross sectional view is taken from, form no part of the claimed design.

1 Claim, 4 Drawing Sheets



(56)

References Cited

U.S. PATENT DOCUMENTS

D615,805	S	*	5/2010	Baek	D7/351
D623,889	S	*	9/2010	Kim	D7/340
D626,370	S	*	11/2010	Baek	D7/351
7,878,189	B2	*	2/2011	Lee	F24C 3/067 126/21 A
D634,576	S	*	3/2011	Baek	D7/351
D653,900	S	*	2/2012	Kim	D7/340
D655,128	S	*	3/2012	Kim	D7/340
D671,790	S	*	12/2012	Busalt	D7/349
D677,971	S	*	3/2013	Corriveau	D7/351
D704,978	S	*	5/2014	Kim	D7/346
D710,644	S	*	8/2014	Kim	D7/340
D710,645	S	*	8/2014	Kim	D7/340
D717,580	S	*	11/2014	Bryant	D7/351
D731,844	S	*	6/2015	Kim	D7/340
D731,845	S	*	6/2015	Kim	D7/348
D733,494	S	*	7/2015	Funnell, II	D7/405
D735,499	S	*	8/2015	Stein	D6/663
D736,027	S	*	8/2015	Funnell, II	D7/339
D742,661	S	*	11/2015	Stein	D6/663

* cited by examiner

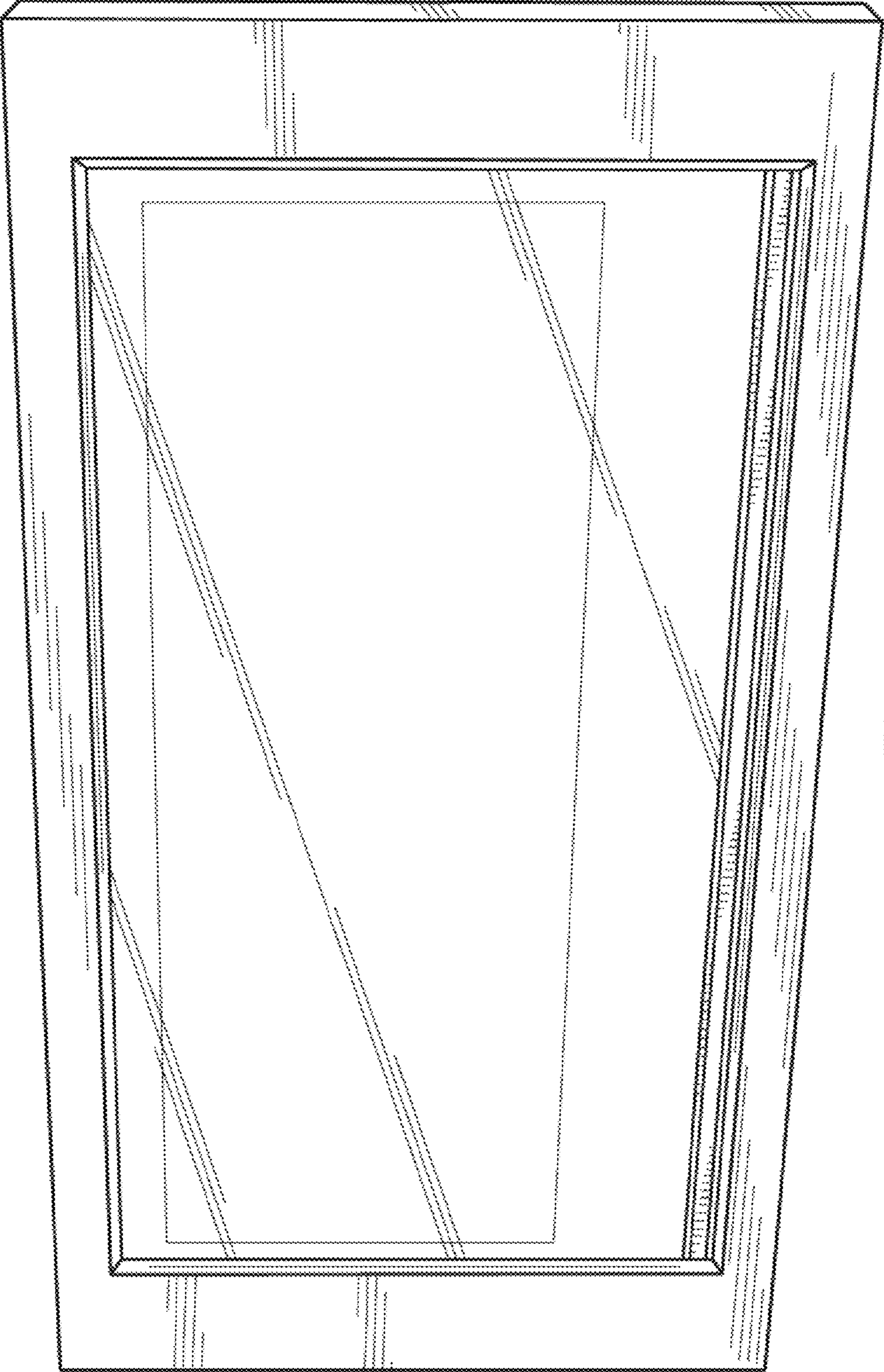


Fig. 1

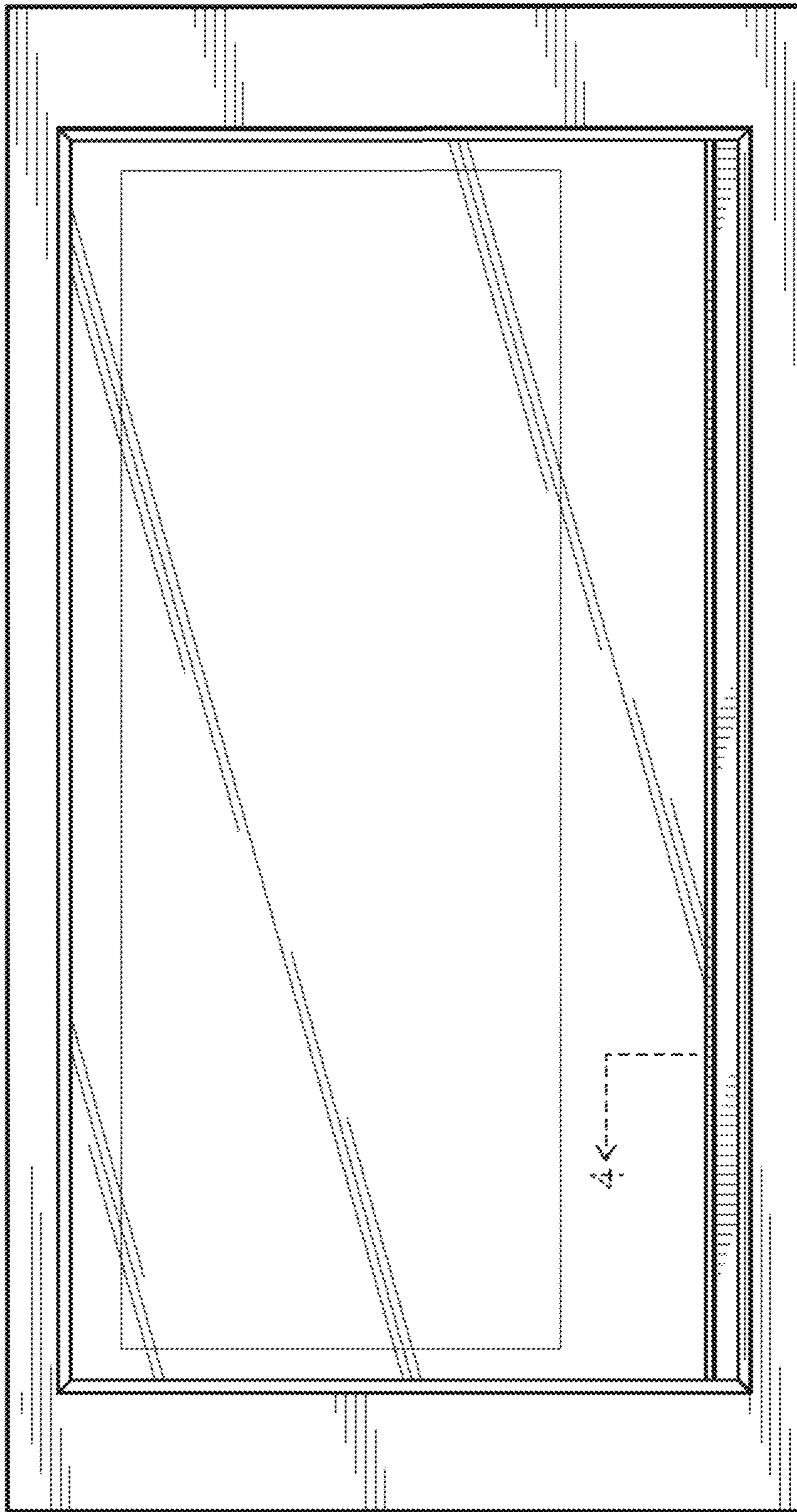


Fig. 2

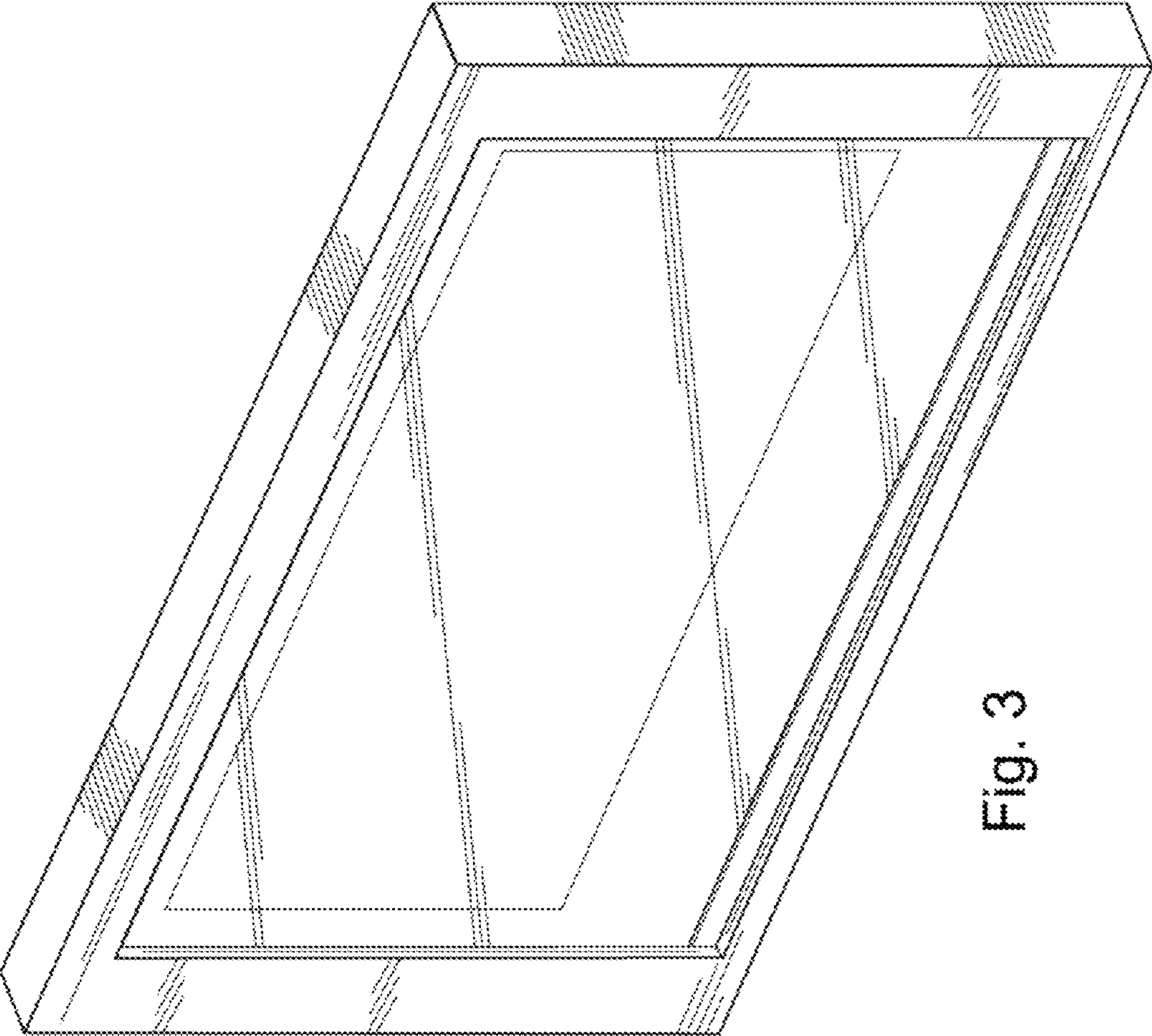


Fig. 3

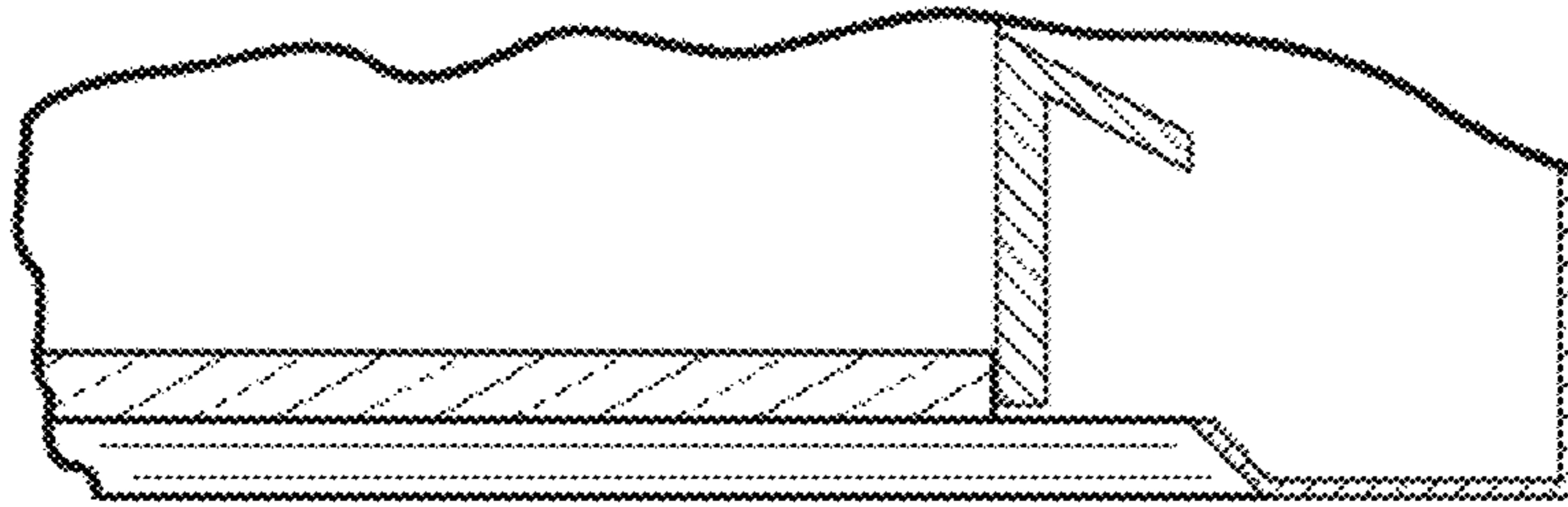


Fig. 4