



US00D774351S

(12) **United States Design Patent** (10) **Patent No.:** **US D774,351 S**
Breit et al. (45) **Date of Patent:** **** Dec. 20, 2016**

(54) **CARRY LOOP WITH STORAGE POUCH**
(71) Applicant: **O2Cool, LLC**, Chicago, IL (US)
(72) Inventors: **Oliver Breit**, Discovery Bay (HK);
Eric F. Junkel, Mount Prospect, IL
(US); **Michael Ksiazek**, Burr Ridge, IL
(US)
(73) Assignee: **O2COOL, LLC**, Chicago, IL (US)
(**) Term: **14 Years**
(21) Appl. No.: **29/526,096**
(22) Filed: **May 6, 2015**
(51) **LOC (10) Cl.** **07-01**
(52) **U.S. Cl.**
USPC **D7/396.2; D7/394; D9/434; D9/455**
(58) **Field of Classification Search**
USPC **D7/507, 509, 510, 511, 513, 523, 529,**
D7/532, 533, 534, 300, 300.1, 591, 608,
D7/392, 392.1, 396.1, 396.2, 900, 394,
D7/393; D9/500, 501, 502, 503, 504, 516,
D9/517, 525, 435, 436, 440, 442, 443,
D9/449, 434, 556, 438, 538, 447, 445,
D9/563, 554, 550, 546, 545, 446, 455,
D9/415; D3/202; 222/480, 507, 546, 548,
222/553; 220/210, 212.5, 703, 709,
220/711, 523, 288, 710.5, 717, 200;
215/12.1, 216, 11.4, 11.5, 11.1; 40/310,
40/324; D19/20; D20/18, 19, 22; D8/394;
D24/197
CPC . **B65D 23/02; B65D 39/0052; B65D 39/0082;**
B65D 39/0076; B65D 39/007; B65D
43/0277; B65D 43/0279; B65D 43/0285;
B65D 43/12; B65D 23/06; A61J 2205/20;
A61J 2200/72; A61J 9/02; A61J
9/08; B67D 1/16
See application file for complete search history.

(56) **References Cited**
U.S. PATENT DOCUMENTS
3,155,263 A * 11/1964 Hidding B65D 23/108
215/397
D217,828 S * 6/1970 Hilliard 224/148.6

D370,386 S * 6/1996 Pallesen D20/22
5,573,152 A * 11/1996 Arnold B65D 23/003
215/399
5,806,904 A * 9/1998 Smith B65D 23/104
215/396
D403,958 S * 1/1999 Stepek D9/434
D412,938 S * 8/1999 Kesselring D20/28
5,960,973 A * 10/1999 Markson G09F 3/04
215/386
D489,256 S * 5/2004 Kelleghan D3/229
D490,235 S * 5/2004 Nykoluk D3/202
D491,465 S * 6/2004 Kelleghan D3/229
D496,588 S * 9/2004 Matsuo D9/434
D502,395 S * 3/2005 Blanchester D9/434
D508,957 S * 8/2005 Jensen D20/22
D535,562 S * 1/2007 Wisler D9/434
D600,973 S * 9/2009 Lane D7/387
D606,861 S * 12/2009 Pavlinac D9/434
D626,409 S * 11/2010 Hooley D7/622
D640,327 S * 6/2011 Gorzo D20/22
D703,040 S * 4/2014 White D9/434

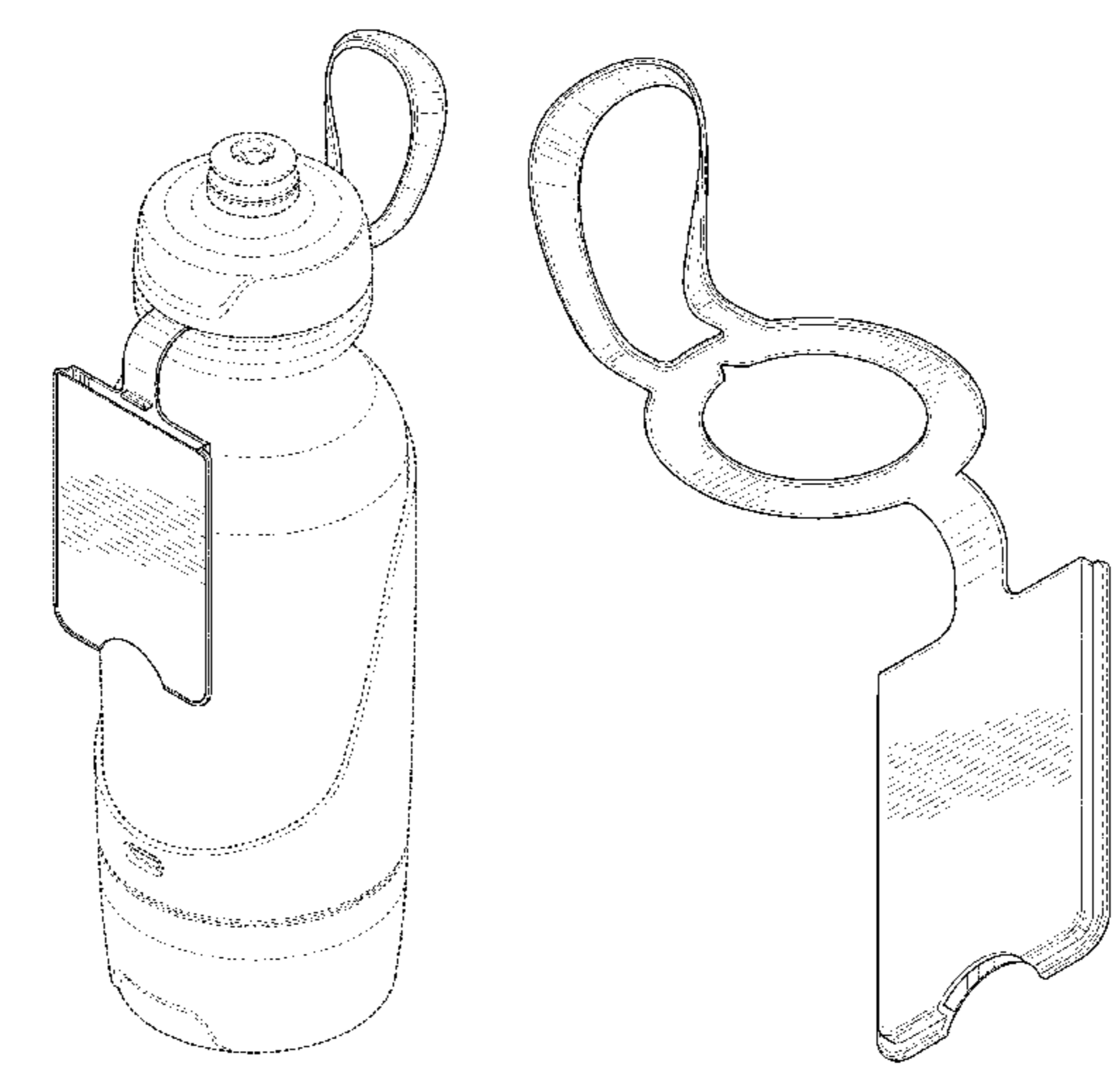
(Continued)

Primary Examiner — Marianne Pandozzi
Assistant Examiner — Jae Liang
(74) *Attorney, Agent, or Firm* — Thompson Coburn LLP

(57) **CLAIM**
We claim the ornamental design for a carry loop with storage pouch, as shown and described.

DESCRIPTION
FIG. 1 is a top perspective view of a carry loop with storage pouch in use with a bottle showing our new design;
FIG. 2 is a bottom perspective view of a carry loop with storage pouch;
FIG. 3 is a front elevational view thereof;
FIG. 4 is a rear elevational view thereof;
FIG. 5 is a right side view thereof;
FIG. 6 is a left side view thereof;
FIG. 7 is a top plan view thereof; and,
FIG. 8 is a bottom view thereof.
The broken lines in the drawings depict environmental subject matter only and form no part of the claimed design.

1 Claim, 8 Drawing Sheets



(56)

References Cited

U.S. PATENT DOCUMENTS

8,783,487 B2 * 7/2014 Hojo B65D 1/40
206/277
D729,543 S * 5/2015 Gicante D6/552
D760,543 S * 7/2016 Lue D7/507
2008/0282907 A1 * 11/2008 Begin F25D 3/08
99/485
2010/0187256 A1 * 7/2010 Draisma B65D 23/065
222/108
2012/0311899 A1 * 12/2012 Mathewson G09F 23/00
40/310

* cited by examiner

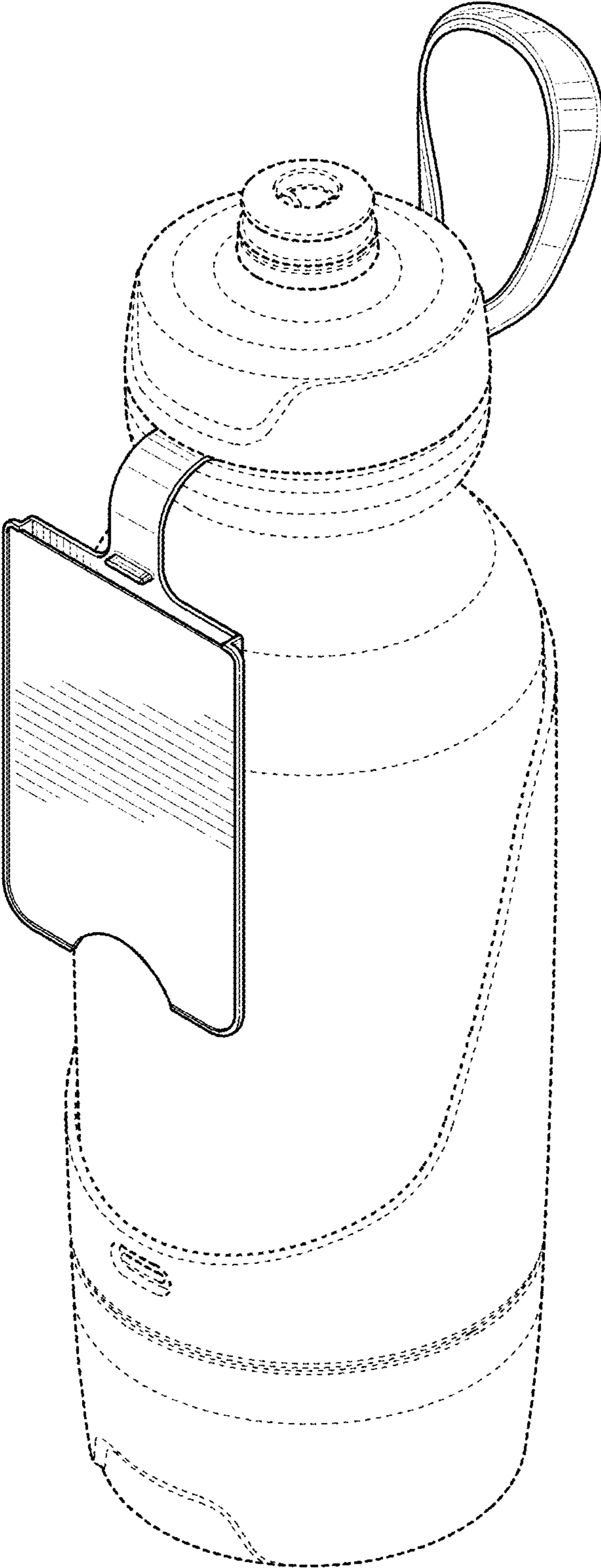


FIG. 1

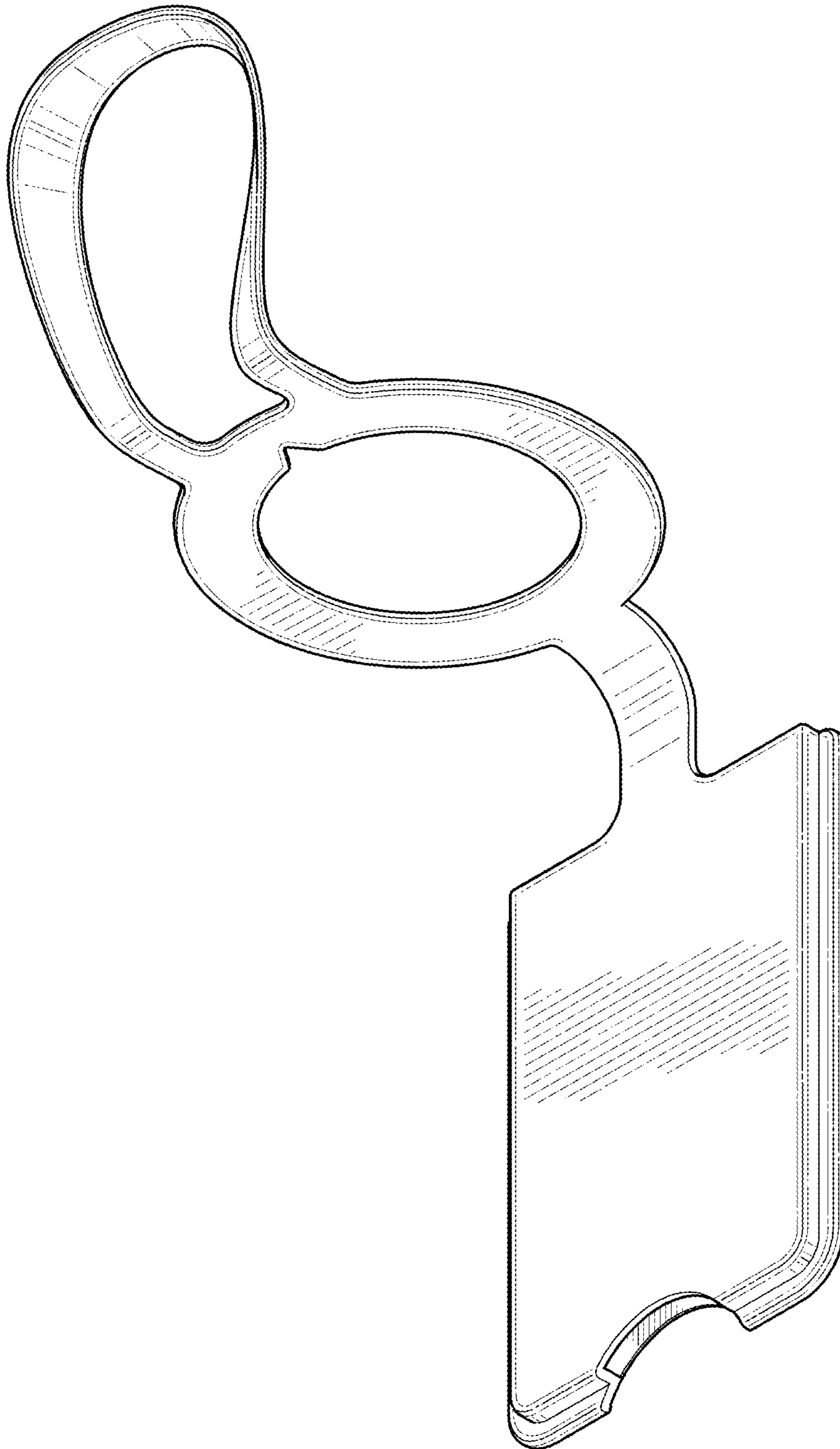


FIG. 2

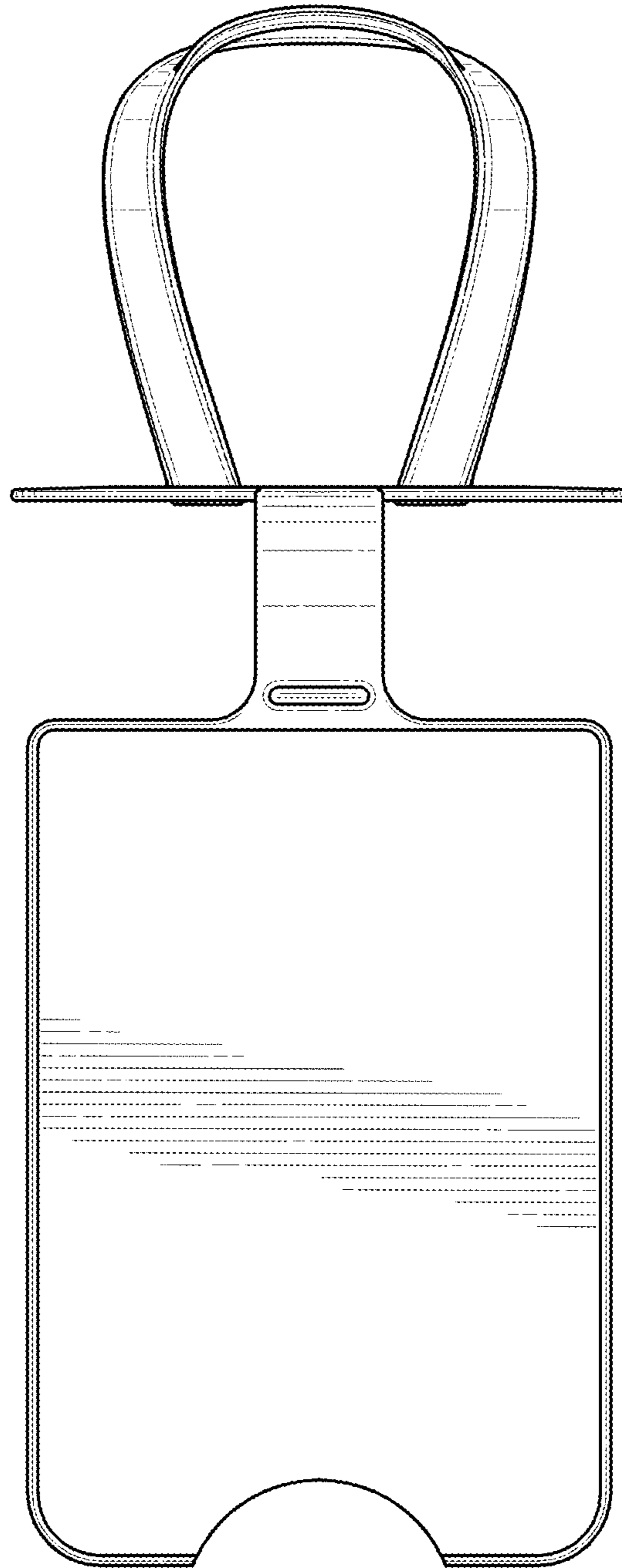


FIG. 3

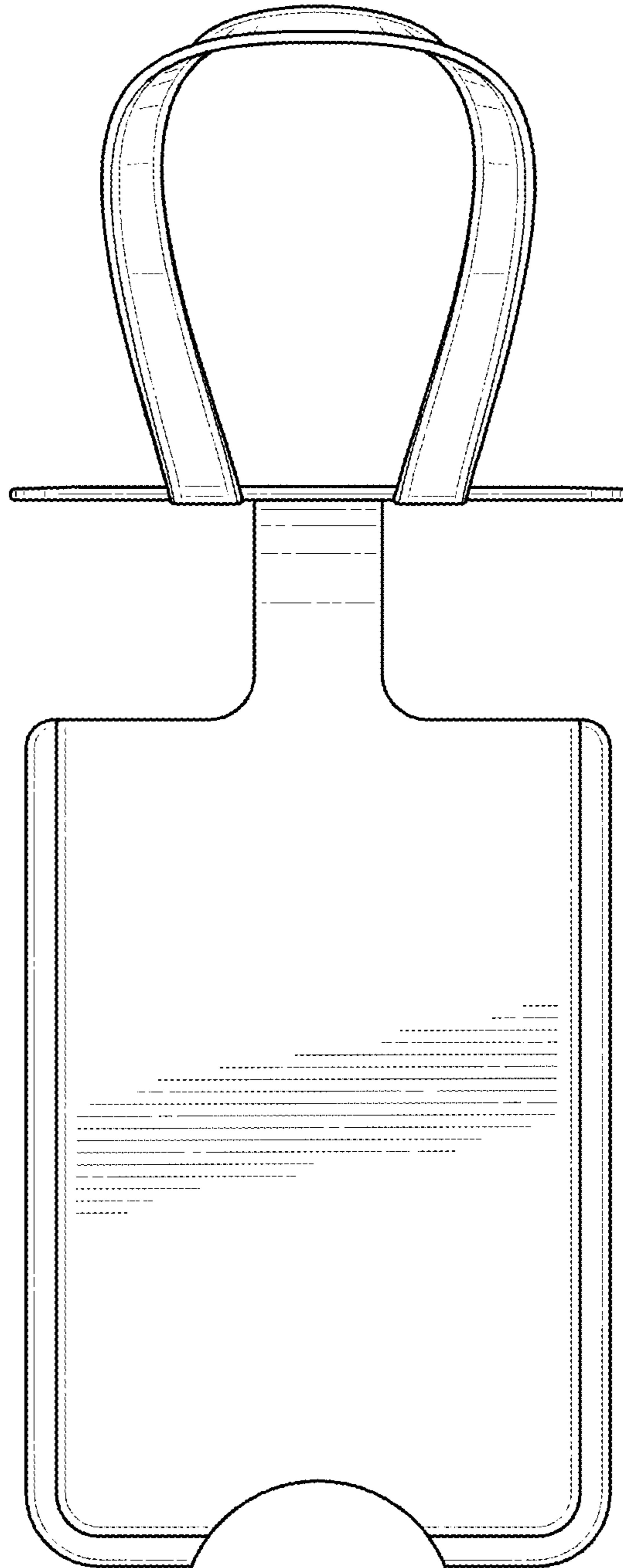


FIG. 4

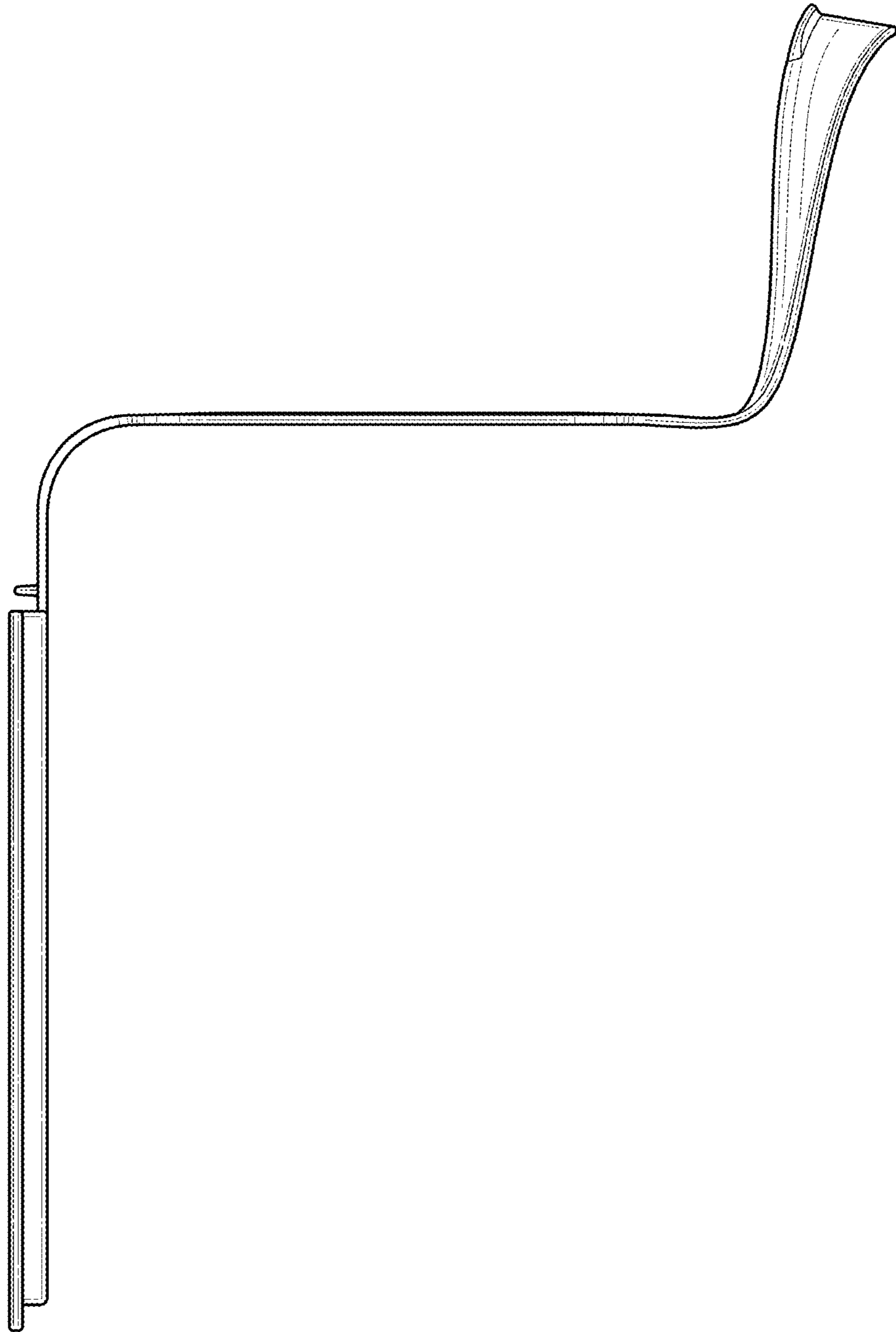


FIG. 5

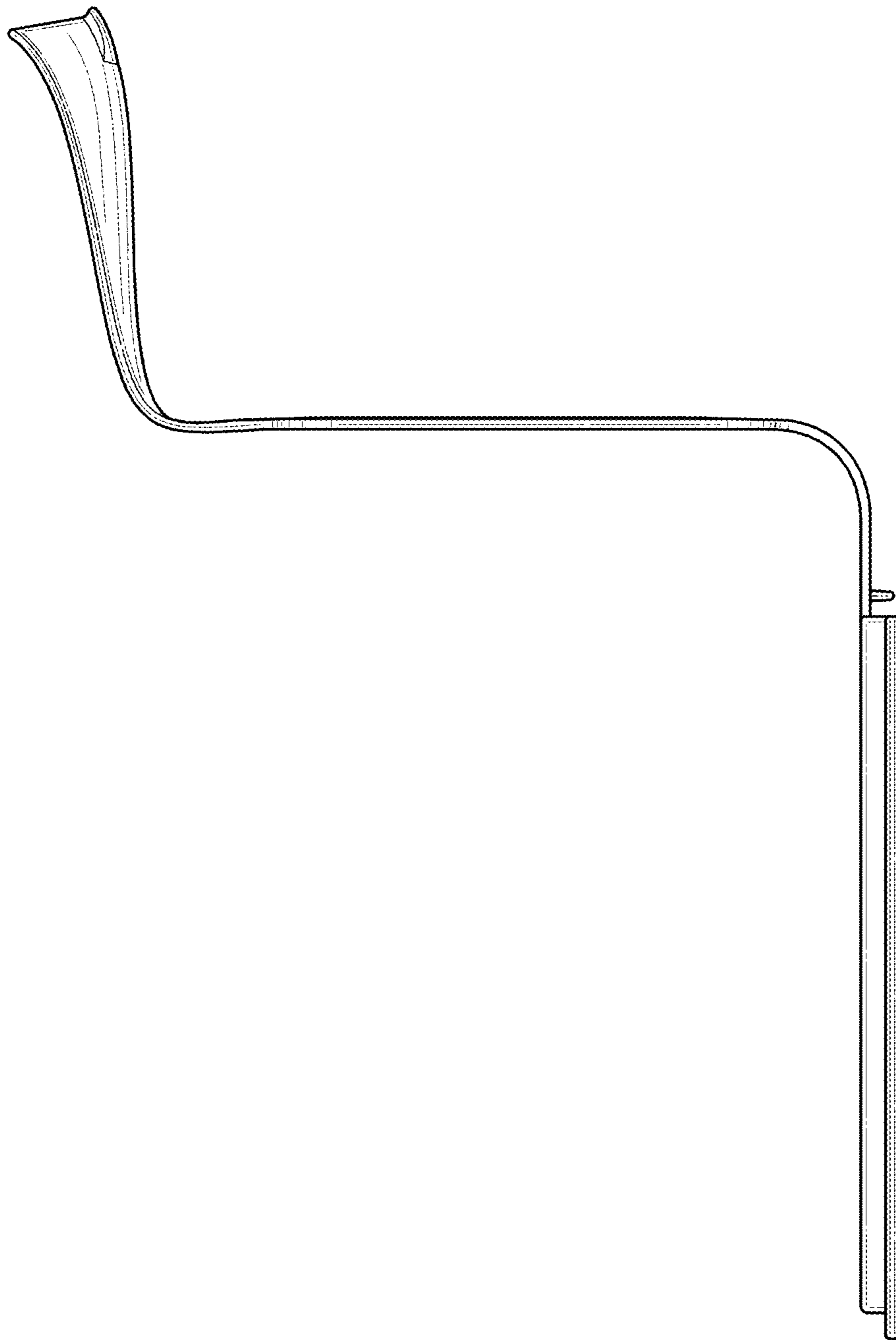


FIG. 6

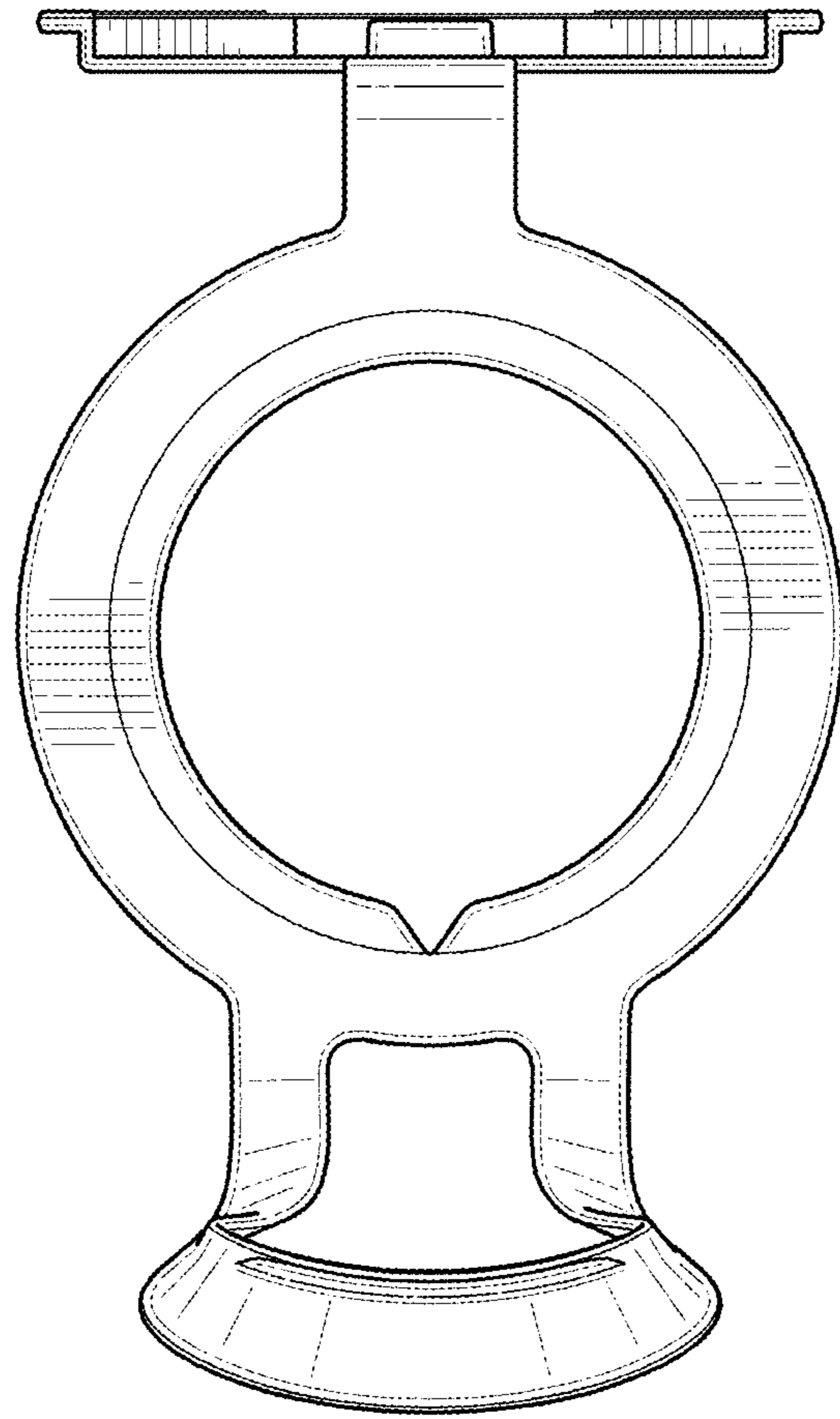


FIG. 7

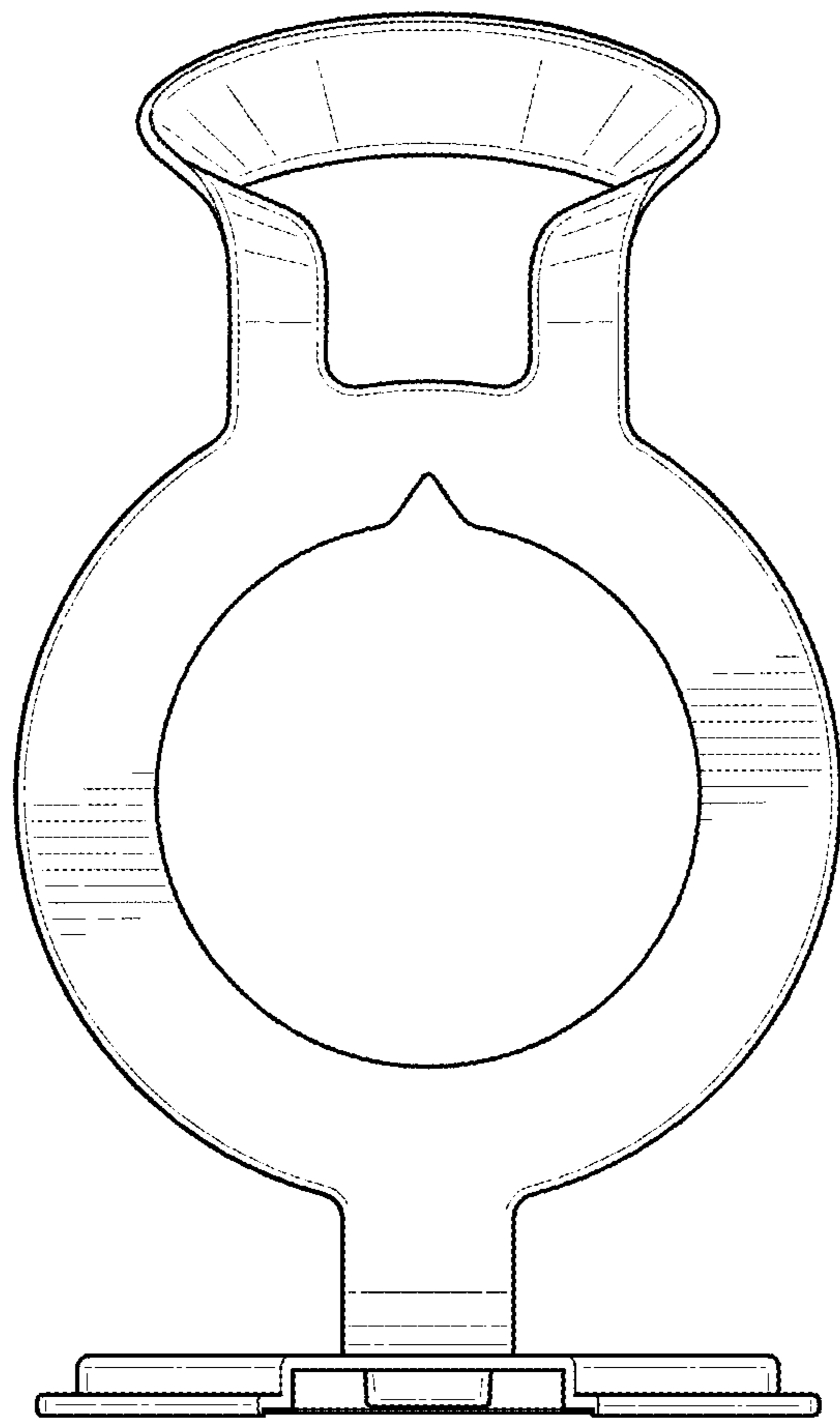


FIG. 8