



US00D774350S

(12) **United States Design Patent**
Mandil

(10) **Patent No.:** **US D774,350 S**

(45) **Date of Patent:** **** Dec. 20, 2016**

- (54) **BASE FOR COOKWARE**
- (71) Applicant: **E. MISHAN & SONS, INC.**, New York, NY (US)
- (72) Inventor: **Ralph Mandil**, Elberon, NJ (US)
- (73) Assignee: **E. MISHAN & SONS, INC.**, New York, NY (US)
- (**) Term: **14 Years**
- (21) Appl. No.: **29/524,759**
- (22) Filed: **Apr. 23, 2015**
- (51) **LOC (10) Cl.** **07-02**
- (52) **U.S. Cl.**
USPC **D7/359**; D7/354; D7/361
- (58) **Field of Classification Search**
USPC D7/323, 354-363, 391, 393-396, 402, D7/409, 542; D12/211
CPC A47G 19/12; A47J 27/00; A47J 27/002; A47J 27/022; A47J 27/08; A47J 27/21; A47J 27/58; A47J 36/025; A47J 36/06; A47J 36/12; A47J 36/36; A47J 37/00; A47J 37/10; A47J 37/101; A47J 37/103; A47J 37/12; A47J 37/1204; A47J 45/061; A47J 45/071; A47J 45/08; H05B 6/12
See application file for complete search history.

D230,459	S	*	2/1974	Gullota	D7/360
3,799,048	A		3/1974	Finley		
D251,107	S		2/1979	Ottier		
D252,008	S	*	6/1979	Jeambey	426/243
D264,036	S		4/1982	Pomroy et al.		
D269,586	S		7/1983	Allgeyer et al.		
4,508,100	A		4/1985	Deville		
D283,003	S		3/1986	McKinley		
D283,482	S	*	4/1986	Durand	D7/361
D284,543	S		7/1986	Huls		
4,926,843	A		5/1990	Vocke et al.		
5,076,434	A		12/1991	Hoffman, Jr.		
5,239,916	A		8/1993	Hu		
5,357,850	A		10/1994	Coudurier		
5,396,834	A		3/1995	Gambini		
5,411,014	A		5/1995	Paul		
5,487,329	A		1/1996	Fissler		
D373,287	S		9/1996	Antonio		
D392,152	S		3/1998	Rae		

(Continued)

Primary Examiner — Ricky Pham

(74) *Attorney, Agent, or Firm* — Notaro, Michalos & Zaccaria P.C.

(57) **CLAIM**

The ornamental design for a base for cookware, as shown and described.

DESCRIPTION

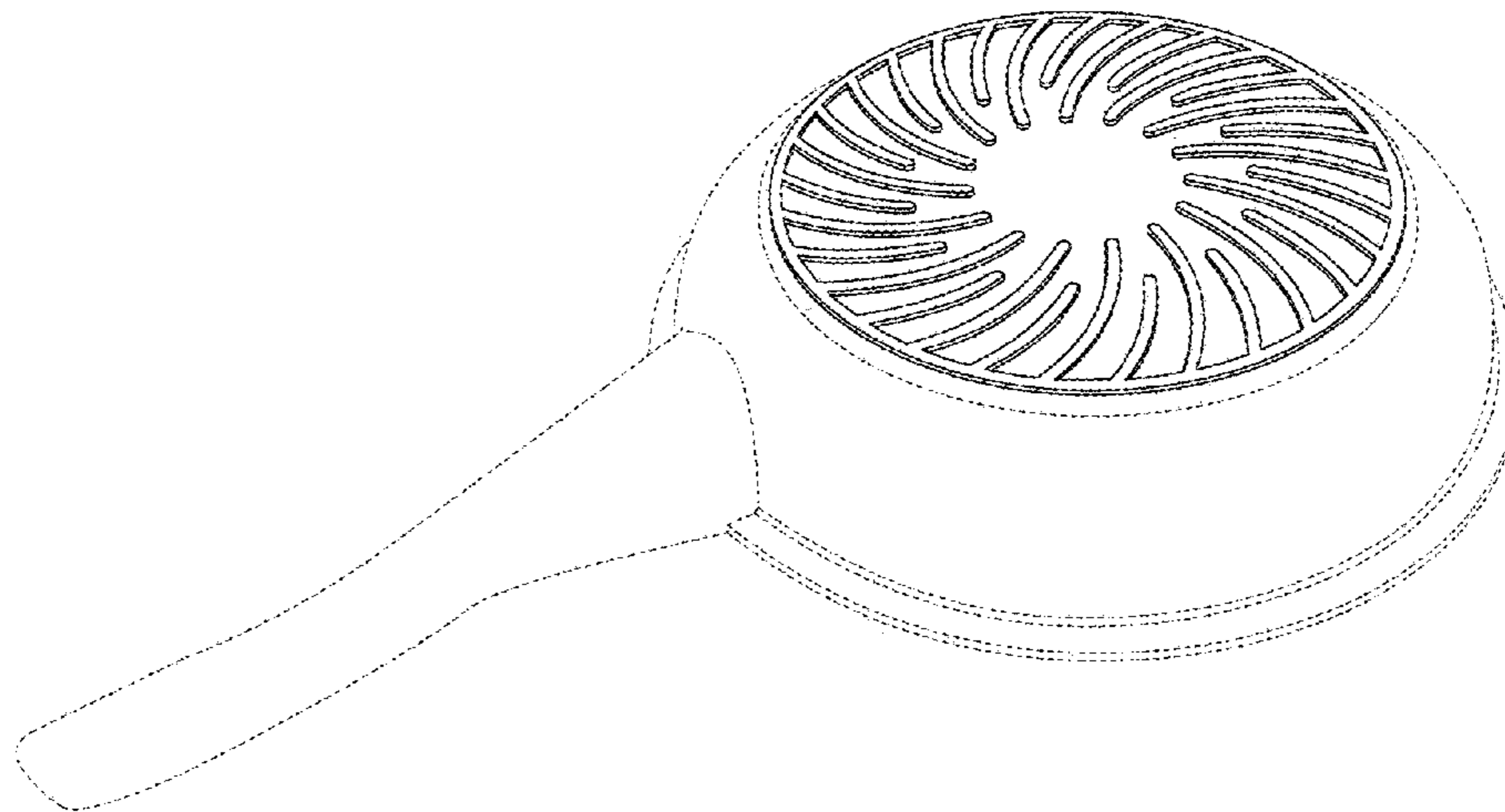
FIG. 1 is a bottom perspective view of a base for cookware showing my new design therefor;
 FIG. 2 is a bottom plan view thereof;
 FIG. 3 is a side elevational view thereof;
 FIG. 4 is a bottom perspective view of a second embodiment of my invention; and,
 FIG. 5 is a bottom plan view of the second embodiment, the side being identical to FIG. 3.
 Throughout the drawings, the broken lines indicate environment and form no part of the design.

1 Claim, 5 Drawing Sheets

(56) **References Cited**

U.S. PATENT DOCUMENTS

1,201,138	A	*	10/1916	Bingham	A47J 36/36 126/376.1
1,613,534	A		1/1927	Rice		
1,733,450	A		10/1929	Detwiler		
1,737,498	A		11/1929	Hanes		
D99,555	S	*	5/1936	Smith	D7/360
2,085,220	A	*	6/1937	Howlett	A47J 27/022 126/390.1
2,213,378	A		3/1940	Benesh		



(56)

References Cited

U.S. PATENT DOCUMENTS

D392,840 S *	3/1998	Rae	D7/354	D585,237 S	1/2009	Gerlach	
D396,441 S	7/1998	Nishida		D586,612 S	2/2009	Rae	
D414,981 S	10/1999	Roskind et al.		D589,741 S *	4/2009	Gerlach	D7/361
6,082,249 A	7/2000	Su		D592,445 S	5/2009	Sorenson et al.	
D440,112 S	4/2001	Su		D594,270 S	6/2009	Rae	
D458,796 S	6/2002	Kellermann		D618,505 S	6/2010	Rae	
D458,797 S	6/2002	Kellermann		D627,193 S	11/2010	Marin	
D458,798 S	6/2002	Kellermann		D627,194 S	11/2010	Marin	
D464,009 S *	10/2002	Laengerer	D12/211	D627,195 S	11/2010	Marin	
D467,462 S	12/2002	Teisen-Simony et al.		D639,600 S	6/2011	Odeh	
D475,571 S	6/2003	Hopkins		D639,604 S	6/2011	Degnan	
D490,355 S	5/2004	Francis		8,037,602 B2	10/2011	Huang	
D517,743 S	3/2006	Perrin		D669,730 S *	10/2012	Mandil	D7/354
D541,486 S	4/2007	Mahaffey		D710,647 S *	8/2014	Mandil	D7/354
D552,925 S	10/2007	Kloppsteck		D735,520 S *	8/2015	Mandil	D7/354
7,319,211 B2	1/2008	Dominguez		D749,906 S *	2/2016	Lee	D7/362
D562,060 S	2/2008	Kloppsteck		2007/0193575 A1	8/2007	Jan	
D562,621 S	2/2008	Kloppsteck		2008/0035139 A1	2/2008	Marin	
D567,166 S	4/2008	Bogani		2008/0223359 A1	9/2008	Huang	
D582,202 S	12/2008	Gerlach		2010/0083949 A1	4/2010	Lisheng	
				2010/0084412 A1	4/2010	Huang	
				2010/0206884 A1	8/2010	Tunstall	
				2010/0242282 A1	9/2010	Huang	

* cited by examiner

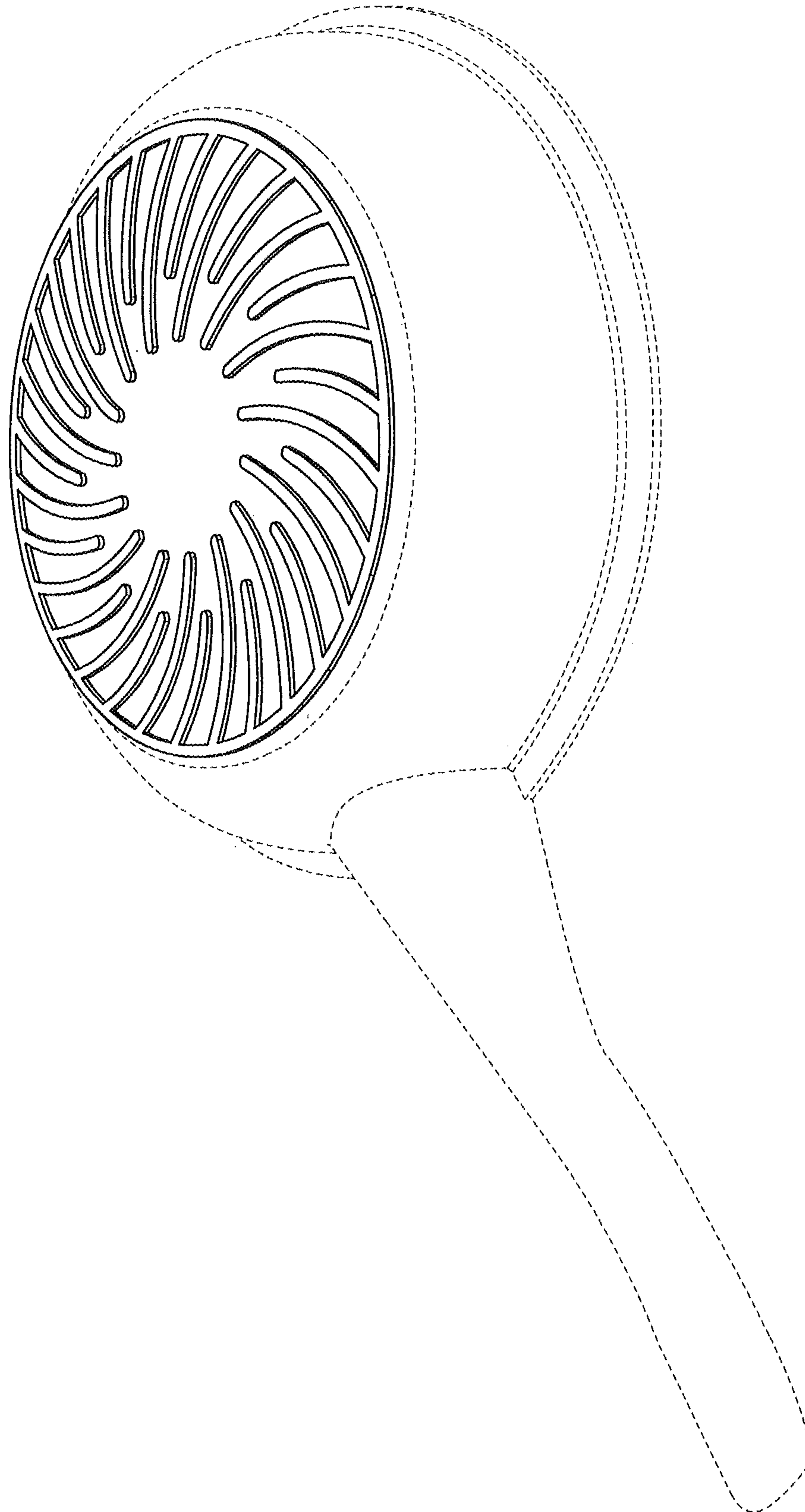


FIG. 1

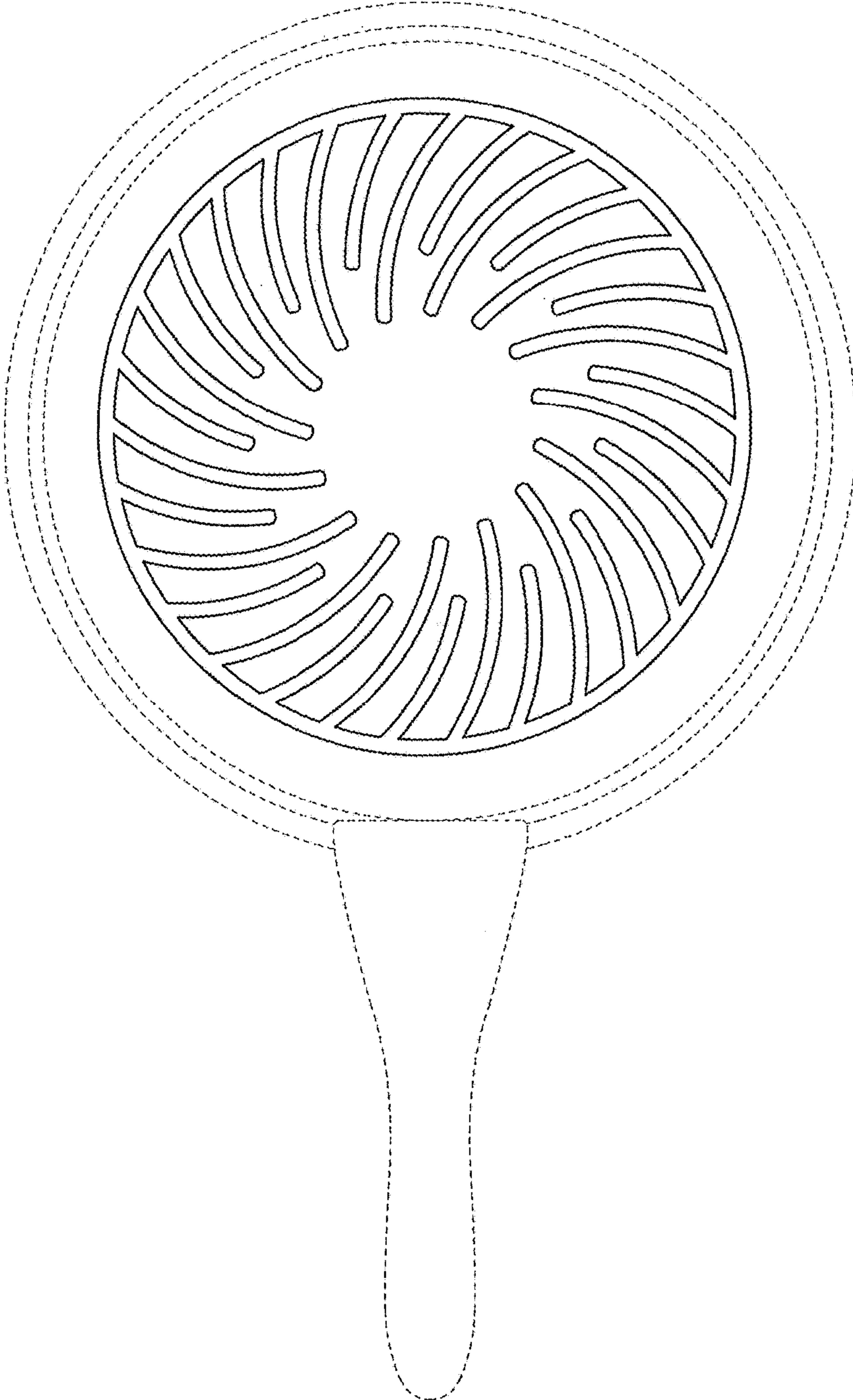


FIG. 2

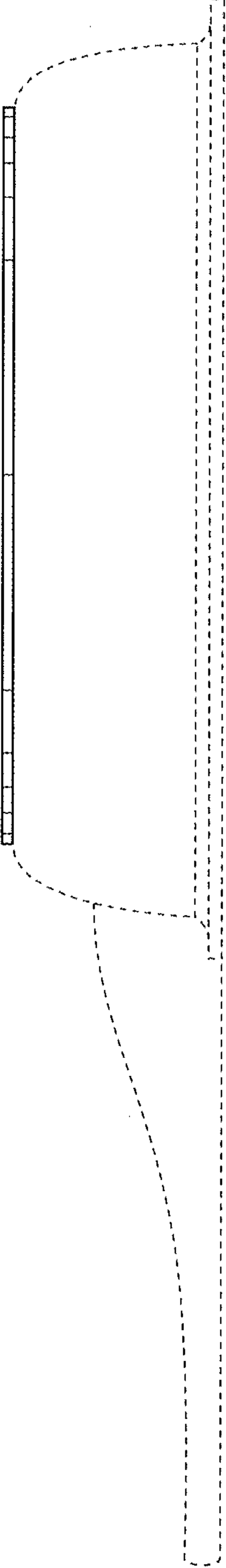


FIG. 3

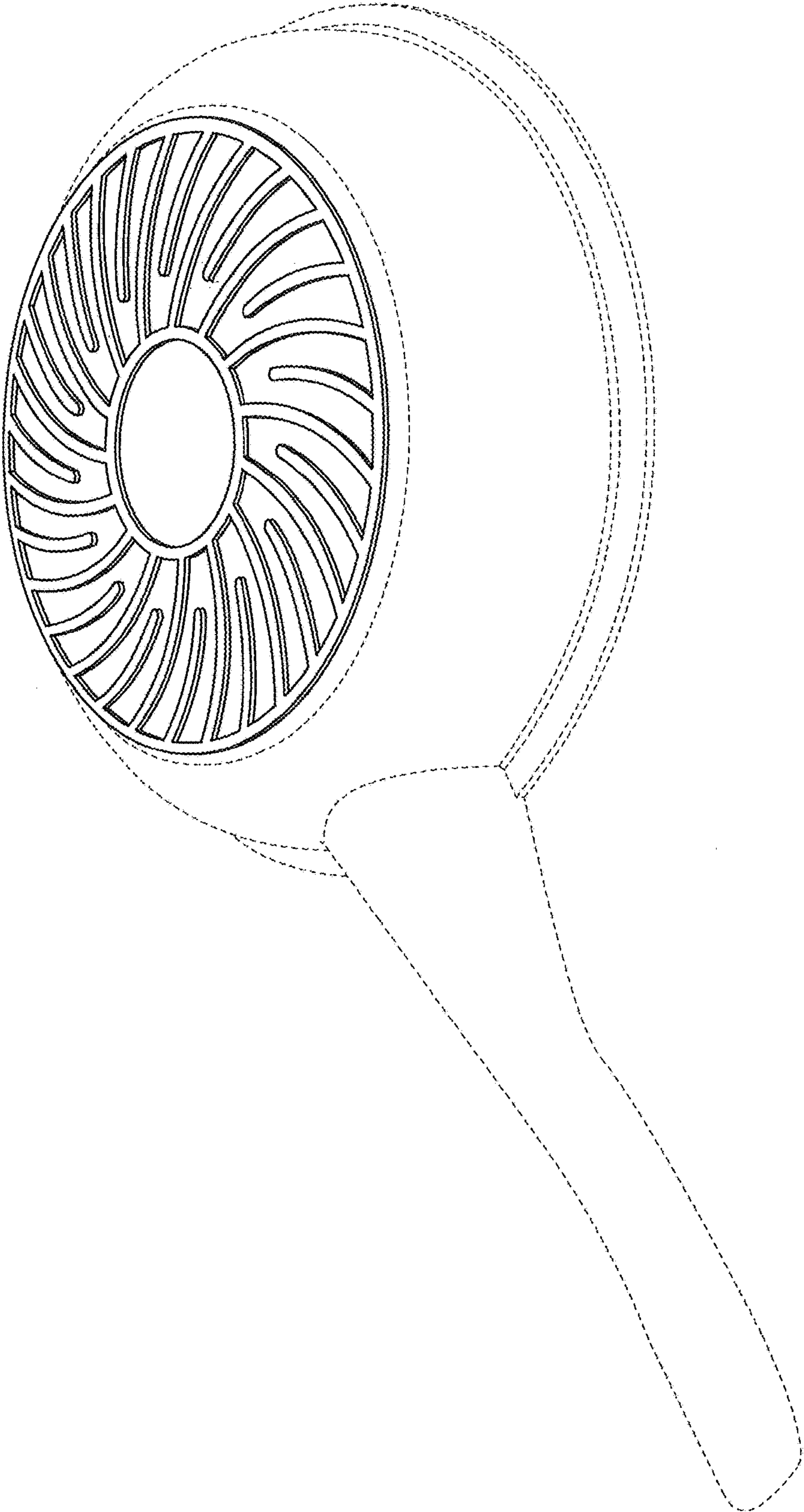


FIG. 4

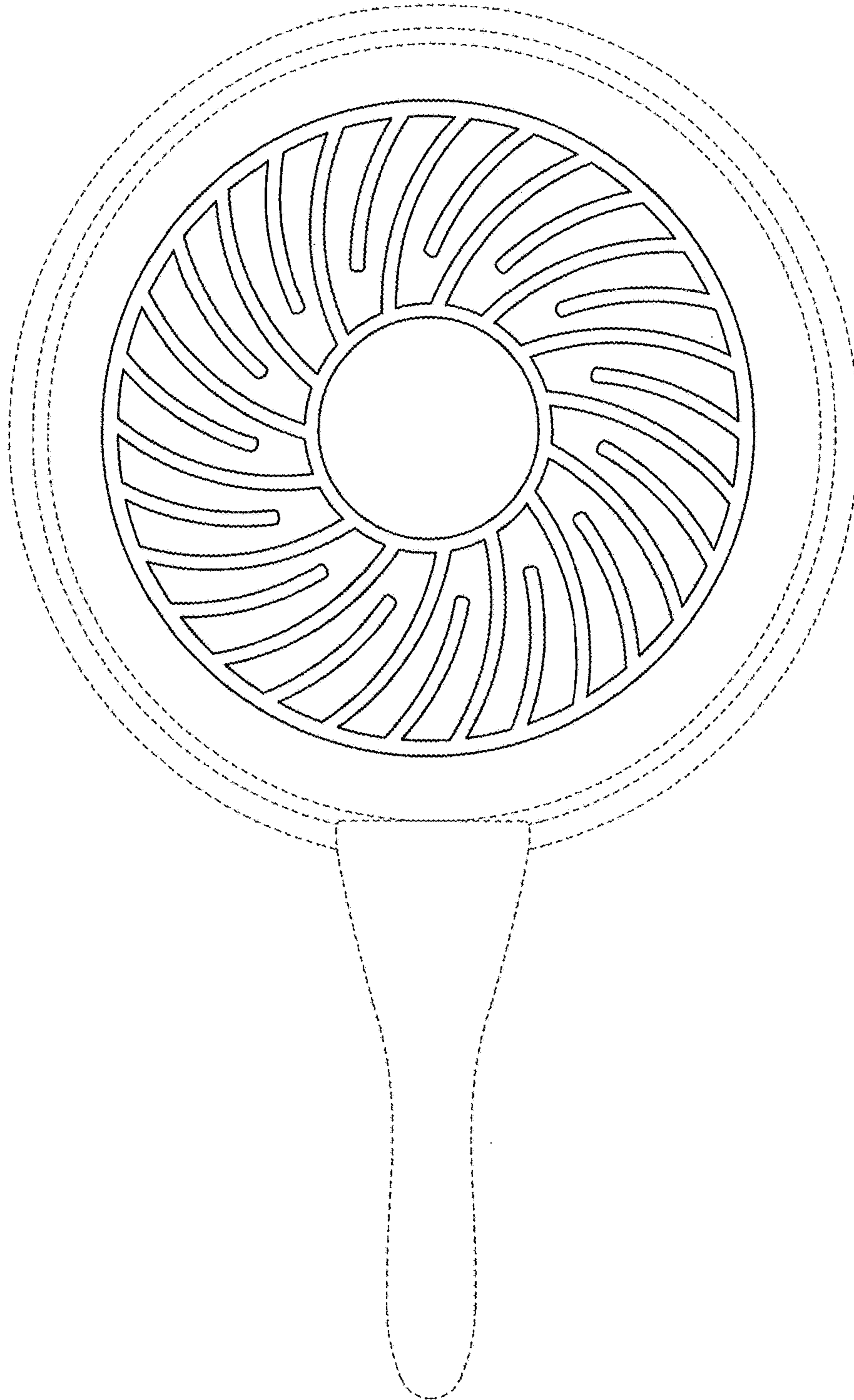


FIG. 5