



US00D774349S

(12) **United States Design Patent** (10) **Patent No.:** **US D774,349 S**
Zemel et al. (45) **Date of Patent:** **** Dec. 20, 2016**

(54) **GRILL PAN**
(71) Applicant: **BLUE RHINO GLOBAL SOURCING, INC.**, Liberty, MO (US)
(72) Inventors: **Marc Zemel**, Melville, NY (US); **Adam Schillen**, Dix Hills, NY (US)
(73) Assignee: **BLUE RHINO GLOBAL SOURCING, INC.**, Liberty, MO (US)
(**) Term: **15 Years**

D522,807 S 6/2006 Dow et al.
D585,702 S 2/2009 Borovicka et al.
D608,146 S * 1/2010 Zemel D7/409
D609,525 S 2/2010 Rabanal
7,717,029 B2 5/2010 Rowe et al.
D618,957 S 7/2010 Zemel
D621,655 S 8/2010 Zemel
D624,787 S 10/2010 Adams et al.
D635,825 S 4/2011 Borovicka et al.
D639,601 S 6/2011 Borovicka et al.
D648,175 S * 11/2011 Zemel D7/354
D650,632 S 12/2011 Zemel
D651,457 S 1/2012 Borovicka et al.
D658,441 S 5/2012 Borovicka et al.
D658,942 S 5/2012 Borovicka et al.
D672,604 S * 12/2012 Upston D7/354

(21) Appl. No.: **29/531,865**

(22) Filed: **Jun. 30, 2015**

(51) **LOC (10) Cl.** **07-02**

(52) **U.S. Cl.**
USPC **D7/354; D7/359; D7/361; D7/409**

(58) **Field of Classification Search**
USPC D3/307; D7/323, 354-363, 391, D7/393-396, 402, 409, 554.3, 698; D9/425, D9/456
CPC A47G 19/12; A47J 27/00; A47J 27/002; A47J 27/08; A47J 27/21; A47J 27/58; A47J 36/025; A47J 36/06; A47J 36/12; A47J 37/00; A47J 37/10; A47J 37/101; A47J 37/103; A47J 37/12; A47J 37/1204; A47J 45/061; A47J 45/071; A47J 45/08; B65D 81/262; H05B 6/12

See application file for complete search history.

(56) **References Cited**

U.S. PATENT DOCUMENTS

D199,593 S * 11/1964 Reifers D9/425
3,450,326 A * 6/1969 Foote B65D 81/262
229/407
D263,268 S * 3/1982 Rein D7/359
D268,568 S * 4/1983 Holden D9/425
D475,625 S * 6/2003 Lin D9/456

(Continued)

OTHER PUBLICATIONS

Design U.S. Appl. No. 29/527,885, filed May 22, 2015.
Design U.S. Appl. No. 29/533,482, filed Jul. 17, 2015.

Primary Examiner — Ricky Pham
(74) *Attorney, Agent, or Firm* — Carter, DeLuca, Farrell & Schmidt, LLP

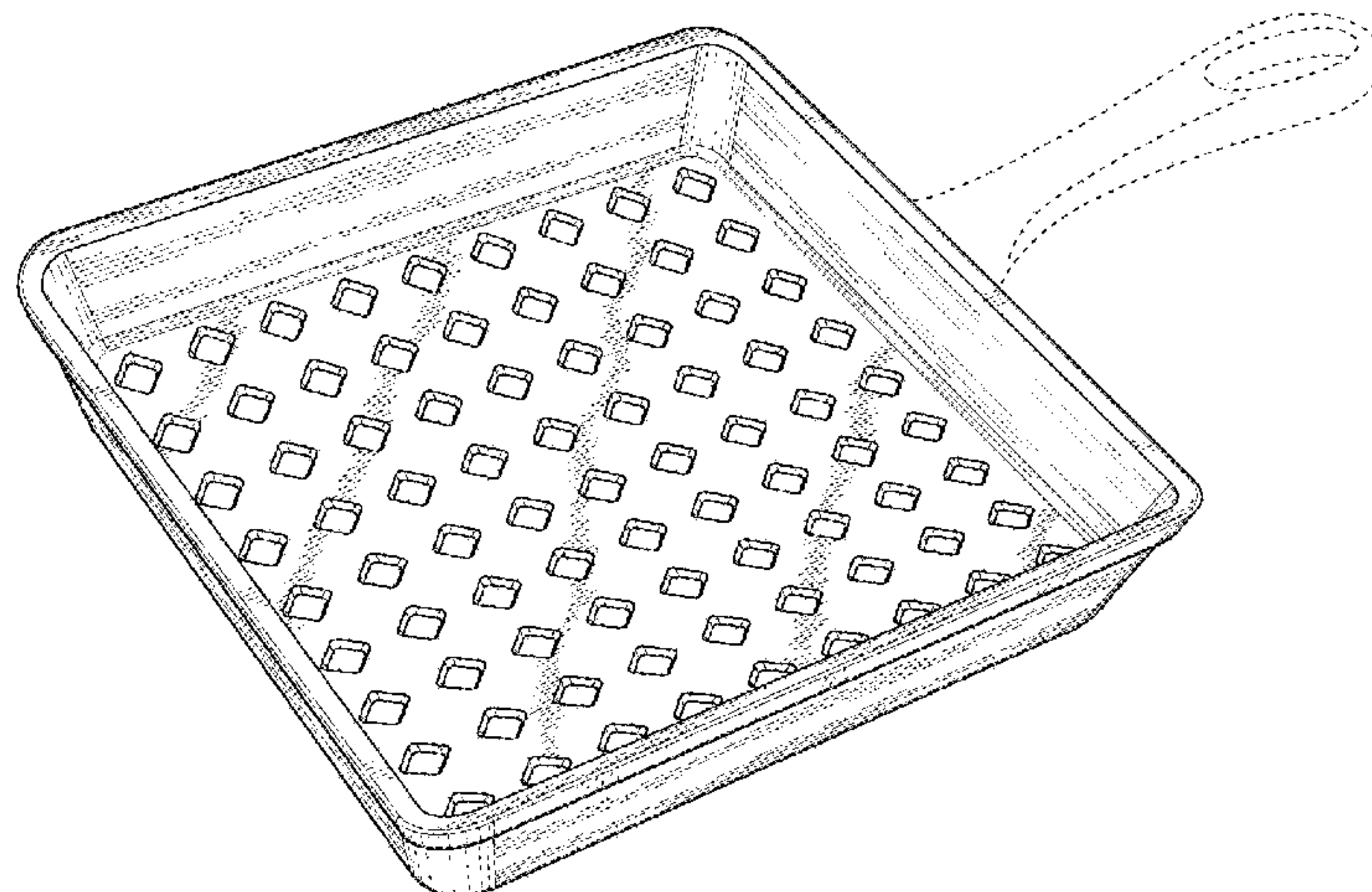
(57) **CLAIM**

The ornamental design for a grill pan, as shown and described.

DESCRIPTION

FIG. 1 is a front perspective view of a grill pan in accordance with the present design;
FIG. 2 is a right side elevational view thereof;
FIG. 3 is a left side elevational view thereof;
FIG. 4 is a front side elevational view thereof;
FIG. 5 is a rear side elevational view thereof;
FIG. 6 is a top plan view thereof; and,
FIG. 7 is a bottom plan view thereof.
The broken lines shown in the drawings illustrate portions of the grill pan that form no part of the claimed design.

1 Claim, 5 Drawing Sheets



(56)

References Cited

U.S. PATENT DOCUMENTS

| | | | |
|-----------------|--------|-----------------|--------|
| D679,133 S * | 4/2013 | Borovicka | D7/402 |
| D682,634 S * | 5/2013 | Datavs | D7/698 |
| D702,499 S | 4/2014 | Zemel | |
| D703,485 S | 4/2014 | Zemel | |
| D711,185 S * | 8/2014 | Bowden | D7/354 |
| D720,931 S * | 1/2015 | Levie | D3/307 |
| D761,614 S * | 7/2016 | Zemel | D7/354 |
| 2008/0066734 A1 | 3/2008 | Bright | |

* cited by examiner

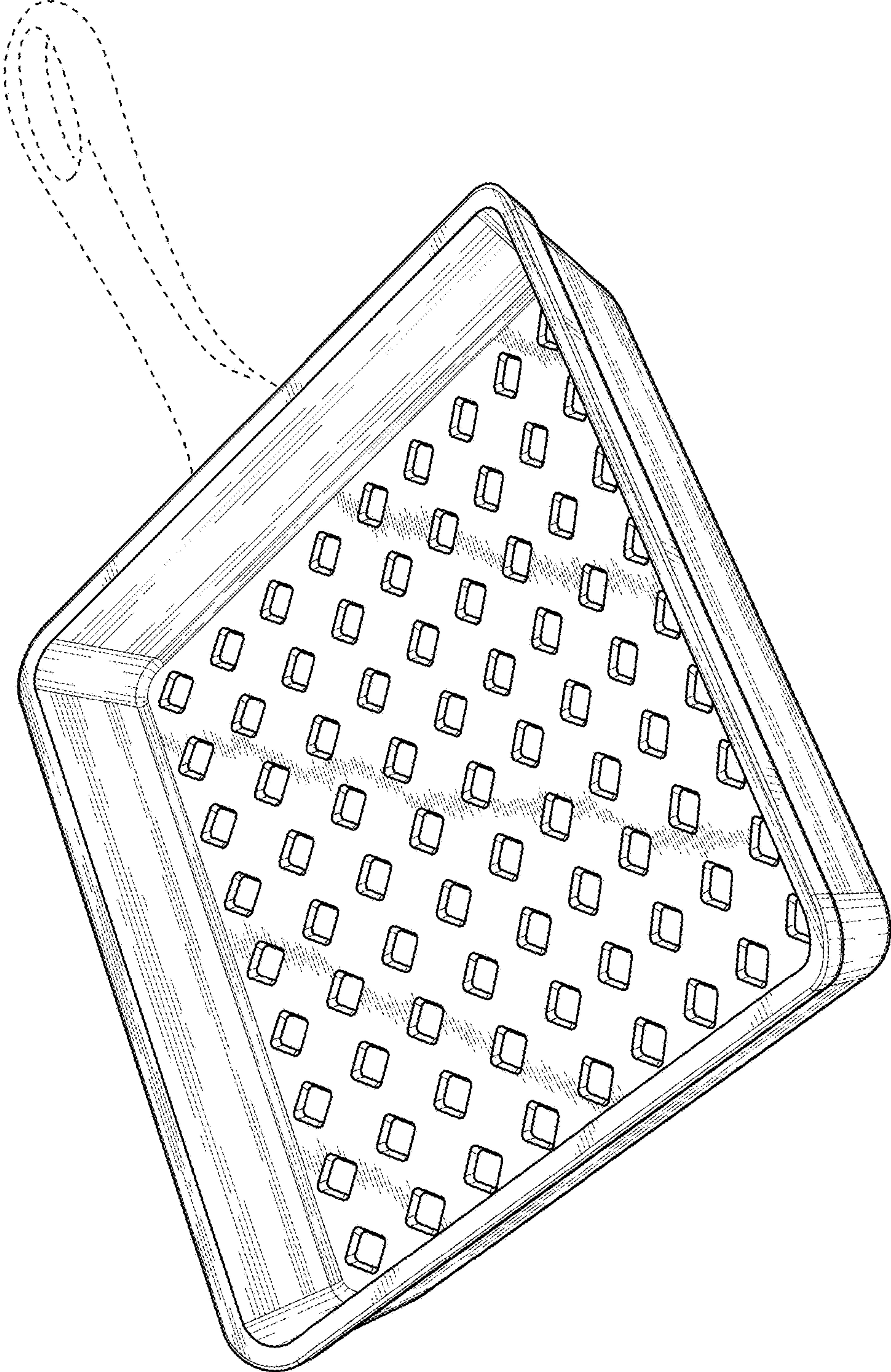


FIG. 1

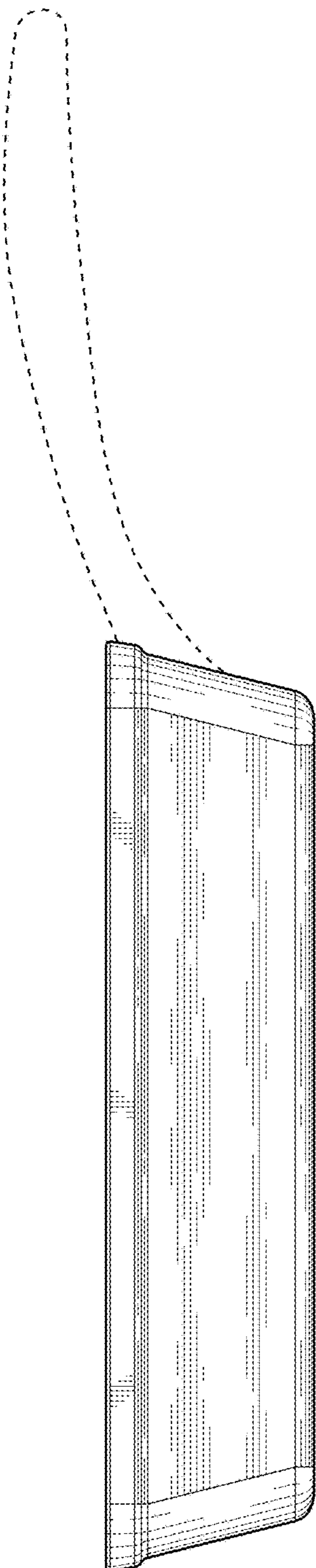


FIG. 2

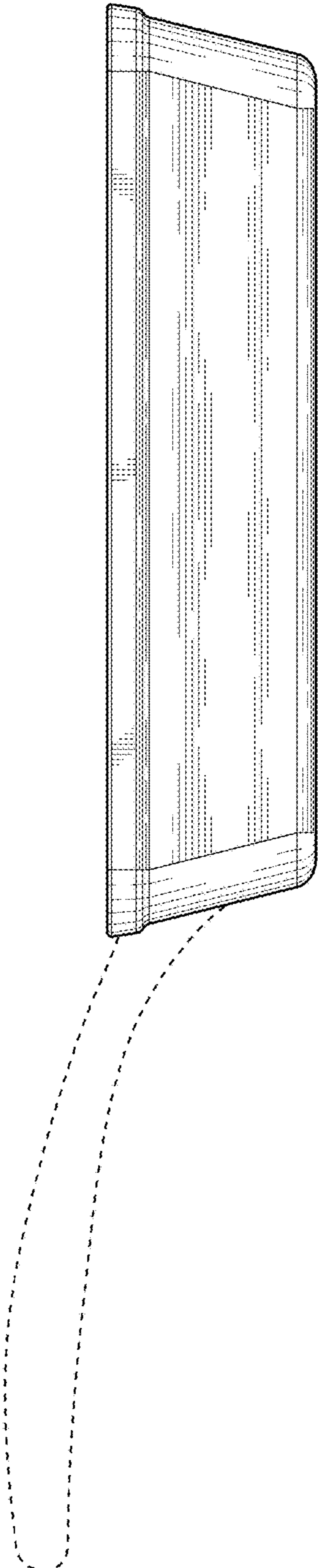


FIG. 3

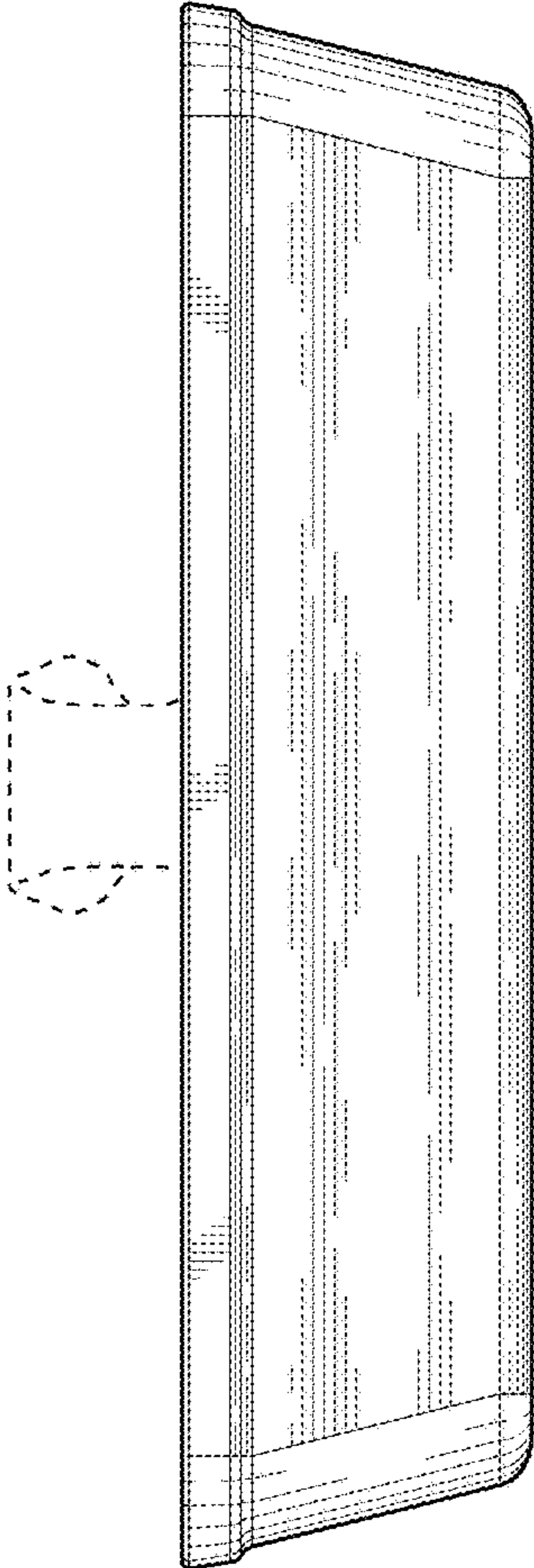


FIG. 4

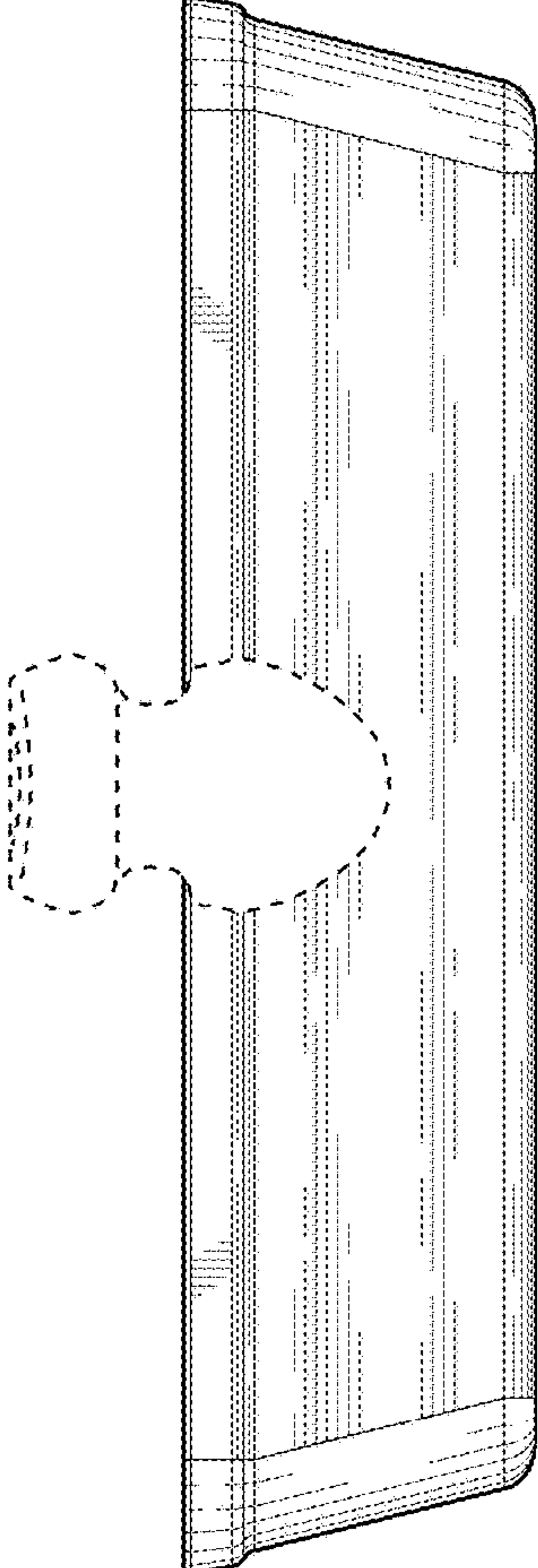


FIG. 5

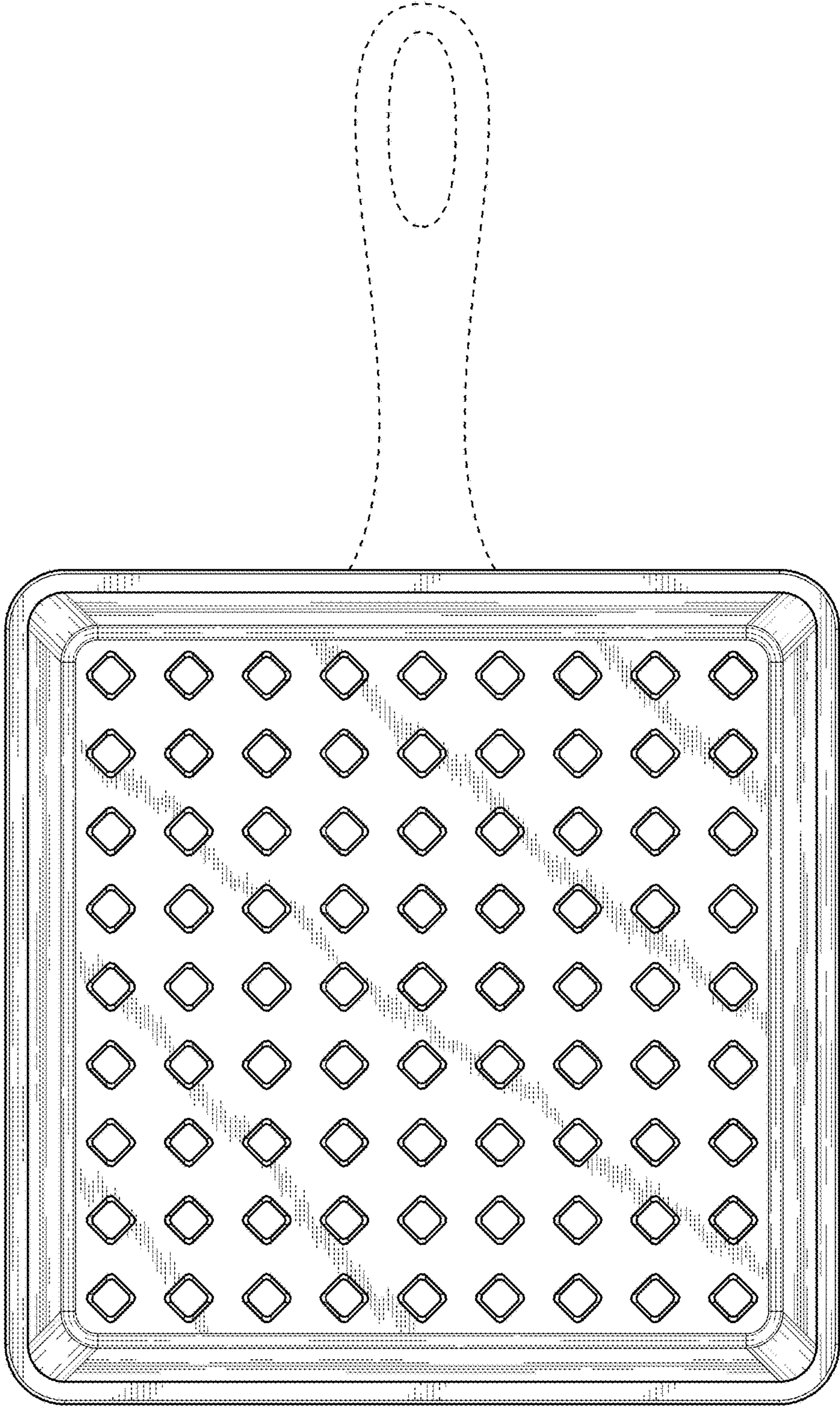


FIG. 6



FIG. 7