



US00D774348S

(12) **United States Design Patent** (10) **Patent No.:** **US D774,348 S**
Veeravagu et al. (45) **Date of Patent:** **** Dec. 20, 2016**

(54) **DRINK MAKER**

(56) **References Cited**

(71) Applicant: **Sunbeam Products, Inc.**, Boca Raton, FL (US)

U.S. PATENT DOCUMENTS

(72) Inventors: **Asoka Veeravagu**, Boynton Beach, FL (US); **Augusto A. Picozza**, Boca Raton, FL (US); **Joongoo Lee**, Boston, MA (US)

D265,041 S	*	6/1982	Lee	D7/309
D274,029 S	*	5/1984	Daugherty	D7/309
D274,400 S	*	6/1984	Muller	D7/309
D291,766 S	*	9/1987	Steinkamp	D7/309
D317,546 S	*	6/1991	Rakocy	D7/309
D649,826 S	*	12/2011	Garman	D7/306
D719,391 S	*	12/2014	De Pra	D7/309
D720,567 S	*	1/2015	Cauwood	D7/306
D724,883 S	*	3/2015	Lamb	D7/306
D760,008 S	*	6/2016	Moon, II	D7/306

(73) Assignee: **Sunbeam Products, Inc.**, Boca Raton, FL (US)

* cited by examiner

(**) Term: **14 Years**

Primary Examiner — Marianne Pandozzi

(21) Appl. No.: **29/526,379**

(74) *Attorney, Agent, or Firm* — Seth M. Blum

(22) Filed: **May 8, 2015**

(57) **CLAIM**

(51) **LOC (10) Cl.** **07-01**

The ornamental design for a drink maker, as shown and described.

(52) **U.S. Cl.**

DESCRIPTION

USPC **D7/306; D7/311**

(58) **Field of Classification Search**

USPC D7/306-311, 305, 300, 397, 398, 399, D7/400; 99/279, 284, 290, 280, 299, 307, 99/297, 295, 323, 275, 281, 300, 302 R, 99/282, 288; 426/433; D20/4, 5, 1
CPC A47J 31/44; A47J 31/00; A47J 31/46; A47J 31/10; A47J 31/56; A47J 31/42; A47J 431/4482; A47J 27/2105; A47J 31/4403; A47J 31/32; A47J 31/4457; A47J 31/52; A47J 31/0573; A47J 31/545; B65D 81/3266

FIG. 1 is a front perspective view of a drink maker showing our new design;

FIG. 2 is a front view thereof;

FIG. 3 is a rear view thereof;

FIG. 4 is a left side view thereof;

FIG. 5 is a right side view thereof;

FIG. 6 is a top plan view thereof; and,

FIG. 7 is a bottom plan view thereof.

The broken lines depict portions of the drink maker that form no part of the claimed design.

See application file for complete search history.

1 Claim, 3 Drawing Sheets

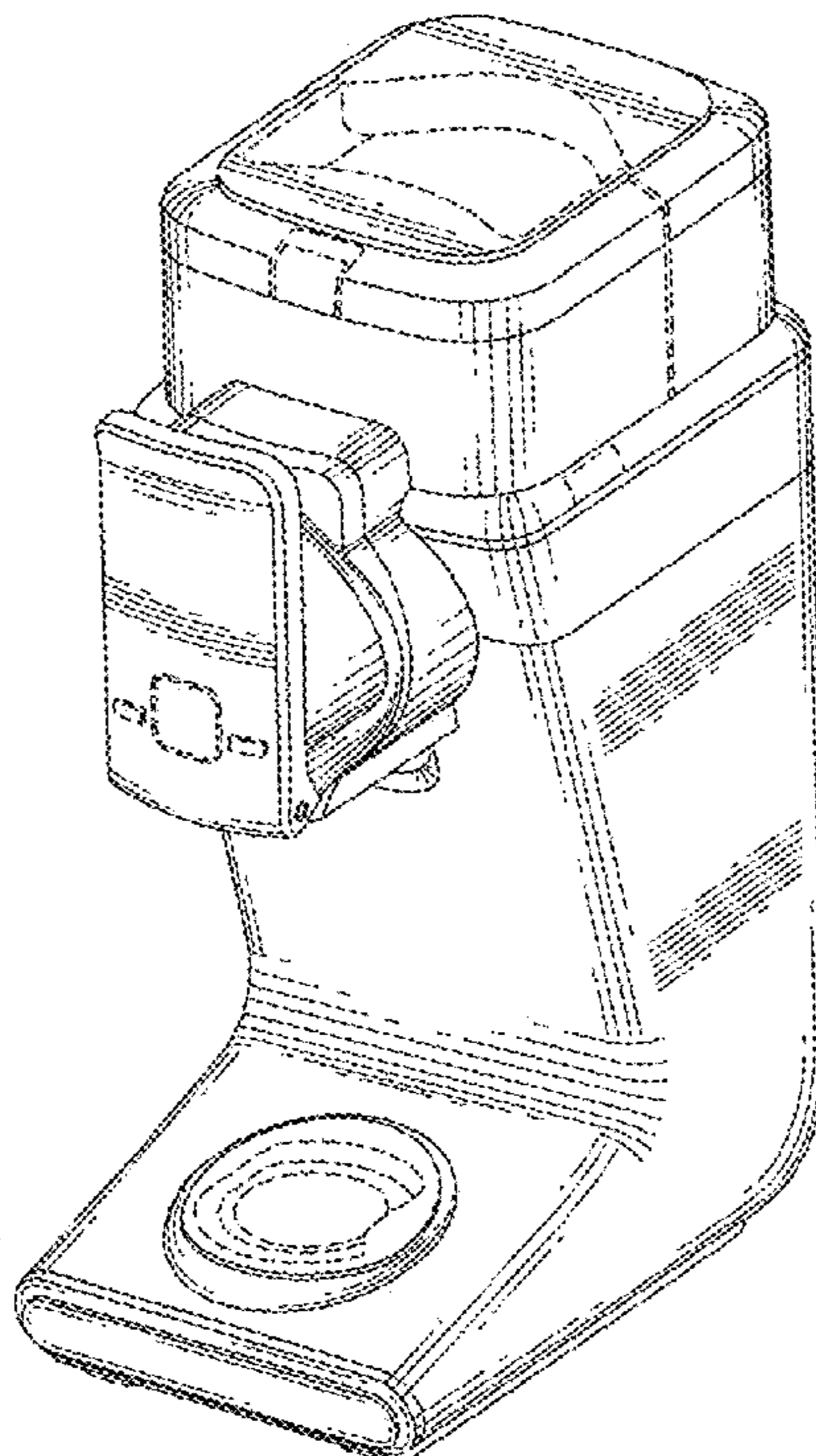


FIG. 1

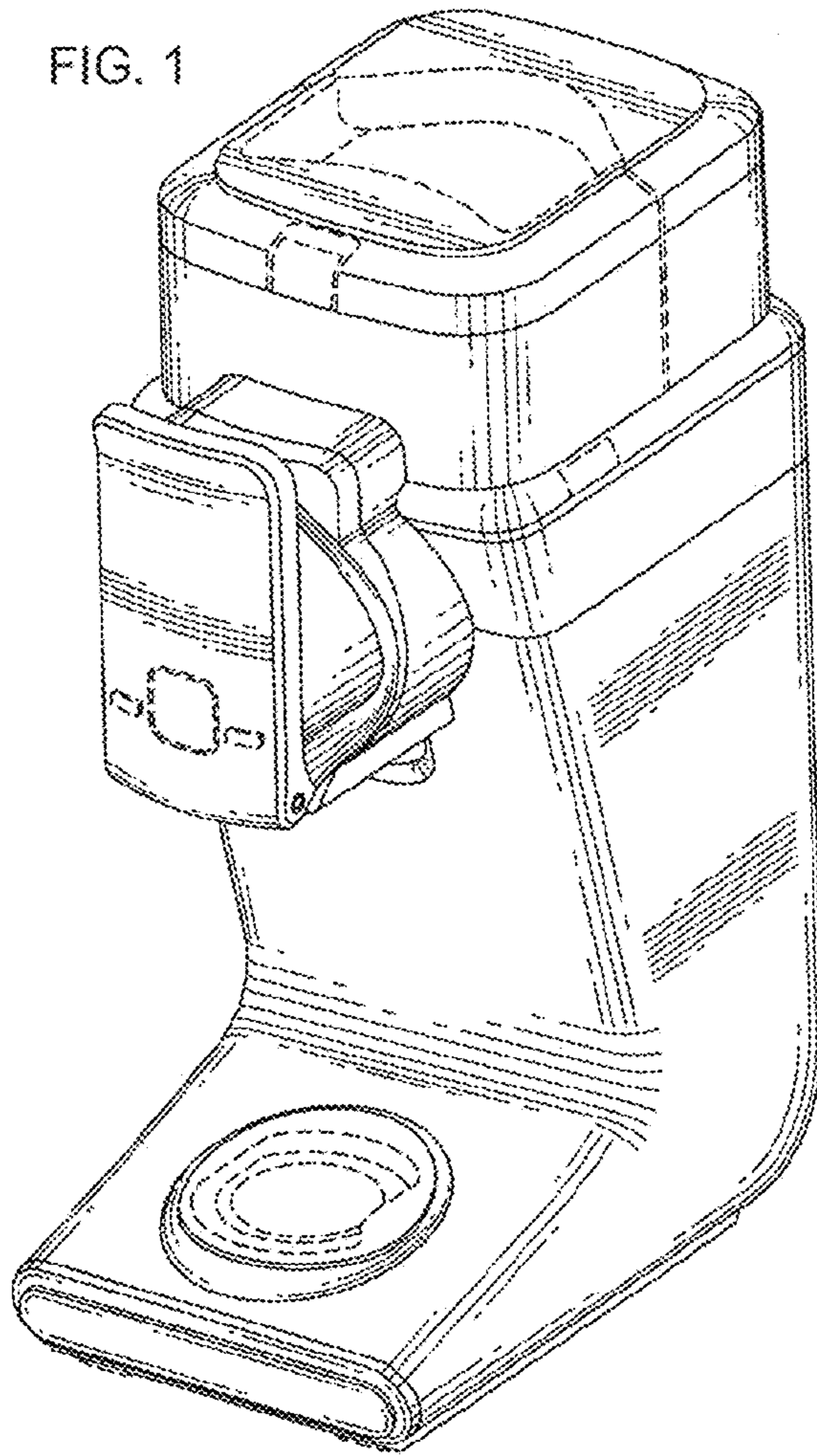


FIG. 6

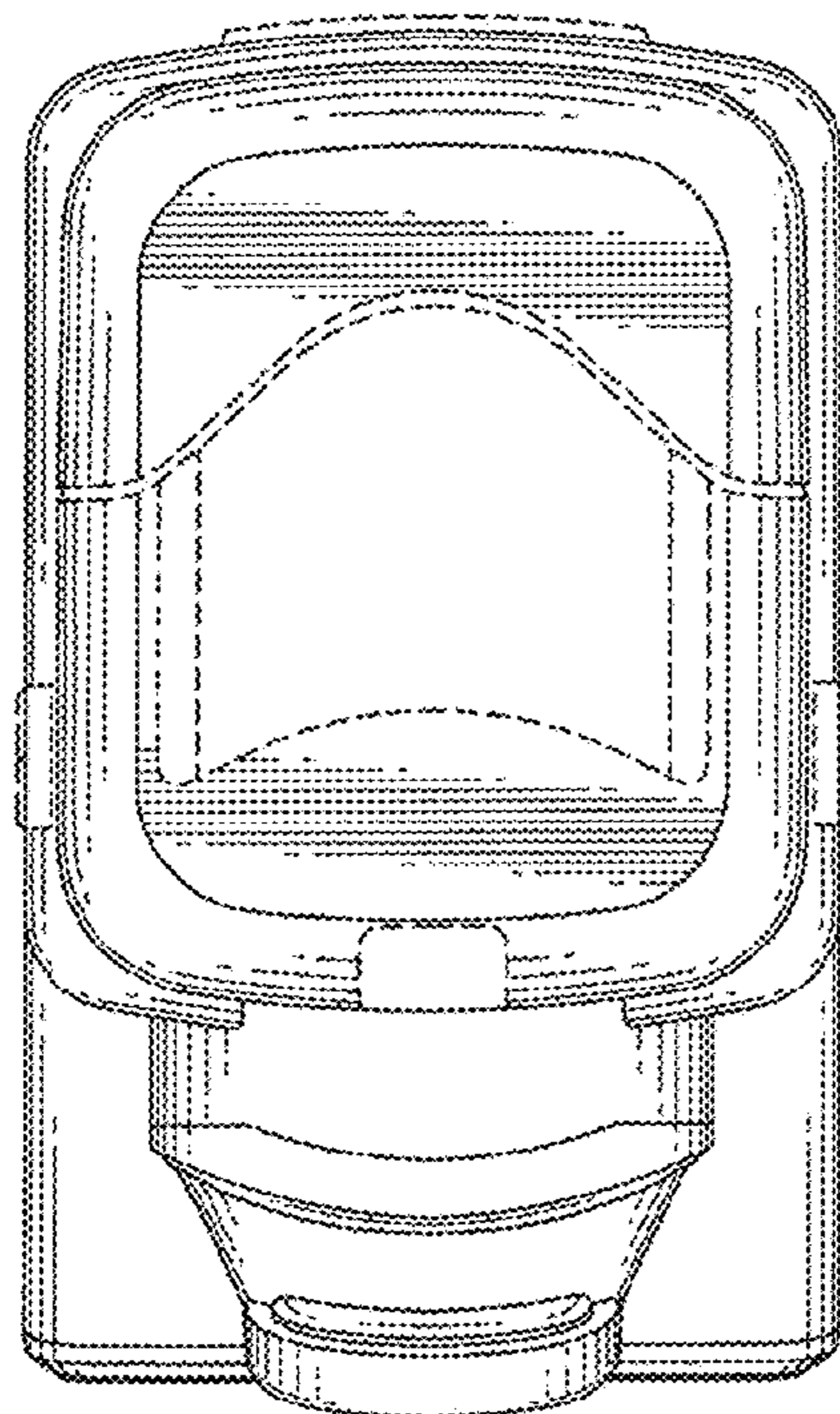


FIG. 7

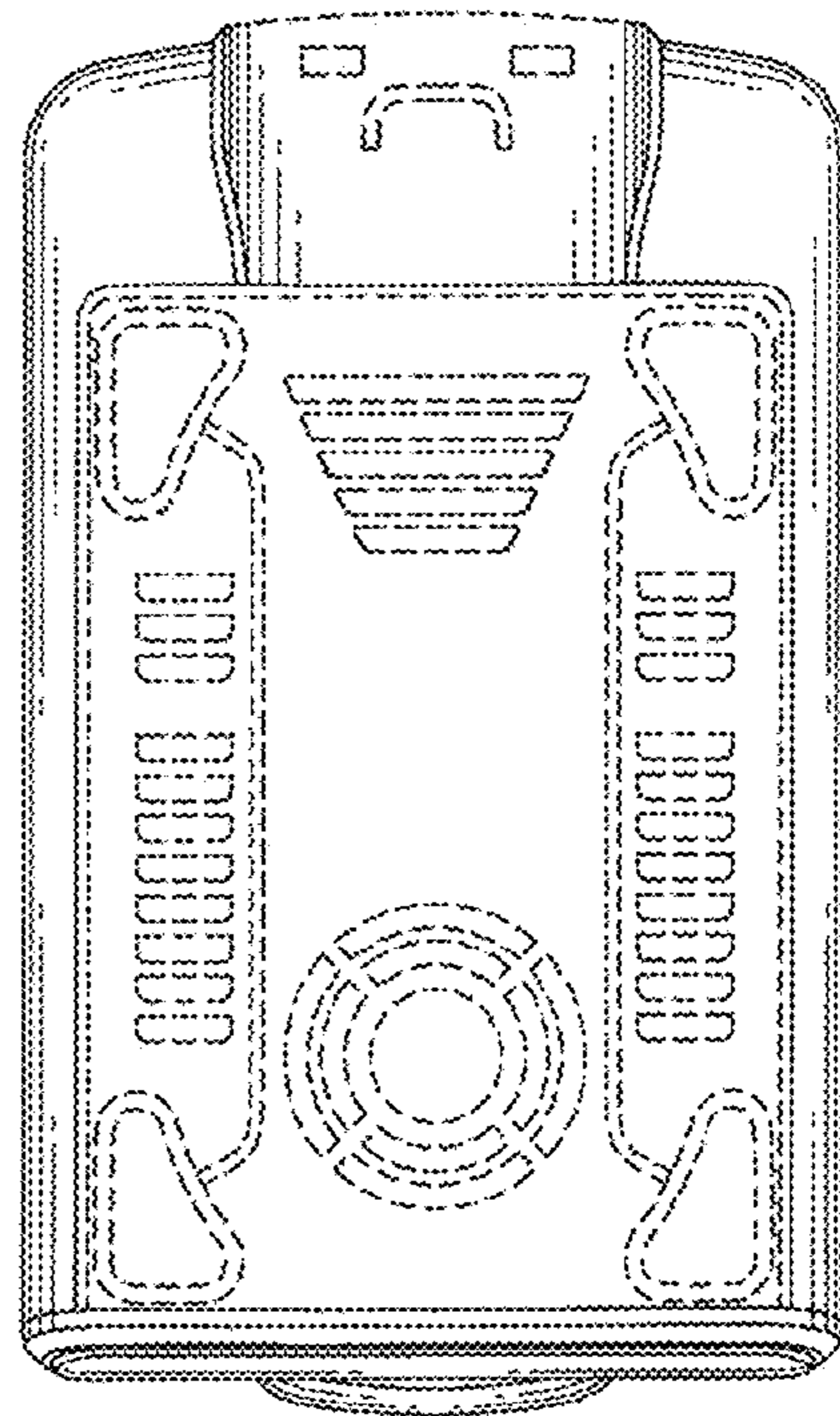


FIG. 3

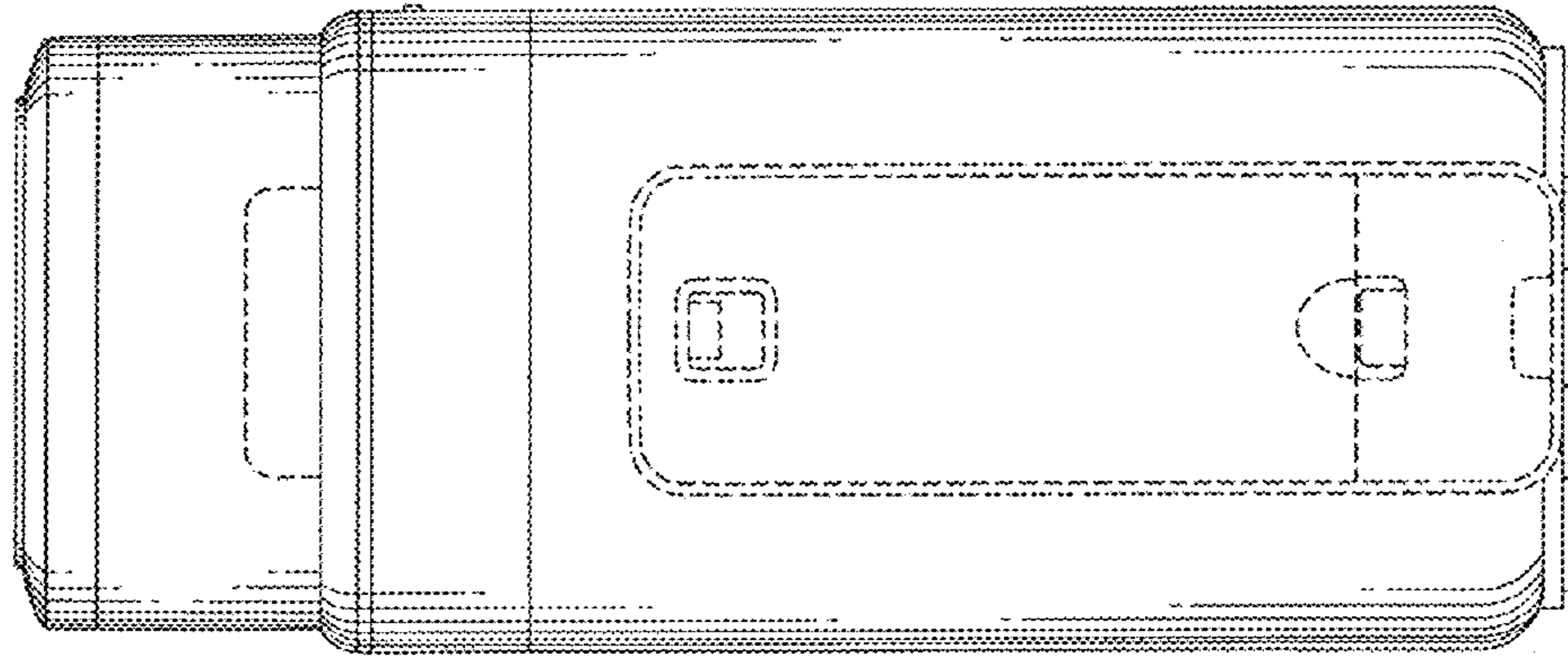


FIG. 2

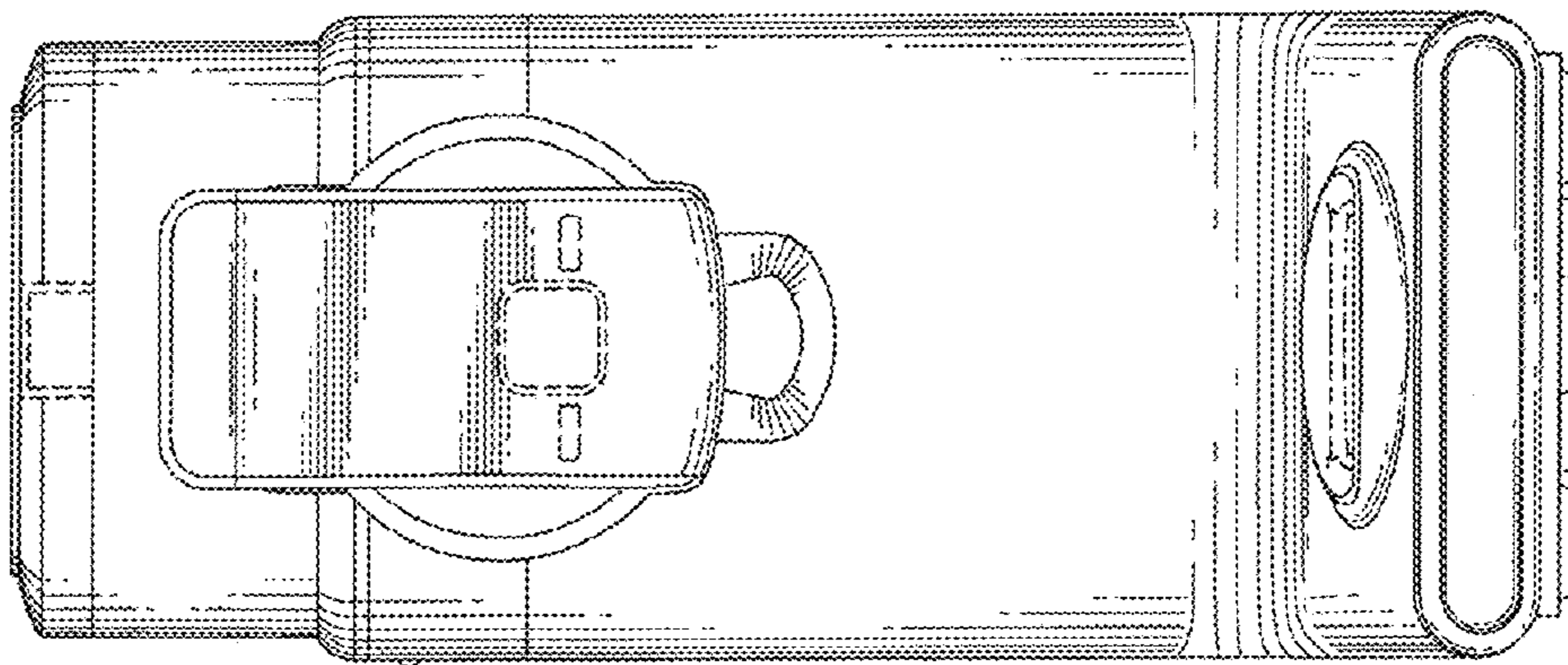


FIG. 5

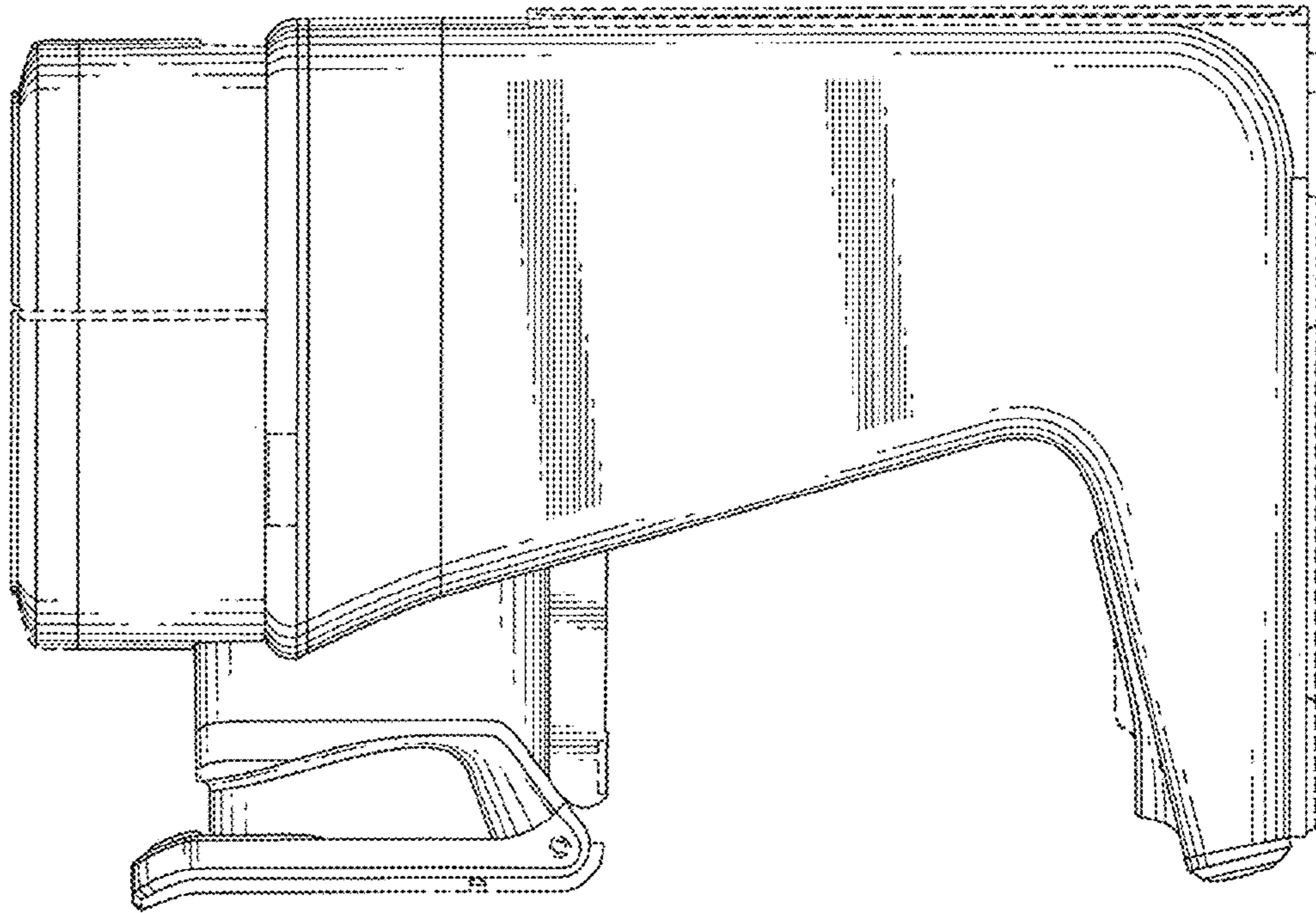


FIG. 4

