



US00D774347S

(12) **United States Design Patent**
Schweikarth

(10) **Patent No.:** **US D774,347 S**

(45) **Date of Patent:** **** Dec. 20, 2016**

(54) **LOUNGE END**

(71) Applicant: **KIMBALL INTERNATIONAL, INC.**,
Jasper, IN (US)

(72) Inventor: **Derek Schweikarth**, Celestine, IN (US)

(73) Assignee: **Kimball International, Inc.**, Jasper, IN
(US)

(**) Term: **15 Years**

(21) Appl. No.: **29/527,850**

(22) Filed: **May 22, 2015**

(51) **LOC (10) Cl.** **06-01**

(52) **U.S. Cl.**
USPC **D6/717**

(58) **Field of Classification Search**
USPC D6/334, 381, 708, 716.1, 716.2,
716.4,D6/717; 297/232, 233, 445.1,
446.1, 448.1; 5/12.1, 12.2
CPC A47C 1/12; A47C 11/00; A47C 17/00;
A47C 17/02
See application file for complete search history.

(56) **References Cited**

U.S. PATENT DOCUMENTS

D180,697 S *	7/1957	Peabody	D6/381
3,323,833 A	6/1967	Kasparian		
D244,732 S	6/1977	Introini		
D360,311 S	7/1995	Stamberg et al.		
D379,269 S *	5/1997	Hutton	D6/334
D422,422 S *	4/2000	Black	D6/334
D427,445 S	7/2000	Gomez		
D429,081 S	8/2000	Gomez		
D486,652 S *	2/2004	Nemeth	D6/334
D491,756 S *	6/2004	Nemeth	D6/334
D493,039 S	7/2004	Ricci		
D494,376 S	8/2004	Natuzzi		
D538,549 S	3/2007	Spear		

D541,075 S	4/2007	Natuzzi		
D569,111 S *	5/2008	Swanson	D6/334
D569,664 S *	5/2008	Schweikarth	D6/716
D586,590 S	2/2009	Schweikarth et al.		
D587,918 S	3/2009	Bergman et al.		
D600,043 S	9/2009	Natuzzi		
D615,315 S	5/2010	Andersen		
D615,316 S	5/2010	Andersen		
D616,215 S	5/2010	Andersen		
D639,083 S	6/2011	Martin		
D644,846 S *	9/2011	Ciani	D6/334
D645,672 S	9/2011	Lievore et al.		
D646,084 S	10/2011	Lievore et al.		
D649,796 S	12/2011	Lievore et al.		
D657,965 S *	4/2012	Amini	D6/334
D657,966 S *	4/2012	Foersom	D6/334
D658,395 S *	5/2012	Foersom	D6/334
D659,412 S *	5/2012	Arko	D6/334
D659,413 S *	5/2012	Arko	D6/334

(Continued)

OTHER PUBLICATIONS

Global Seating, "Wind", dated at least as early as May 22, 2015.

Primary Examiner — Sandra Snapp
(74) *Attorney, Agent, or Firm* — Faegre Baker Daniels
LLP

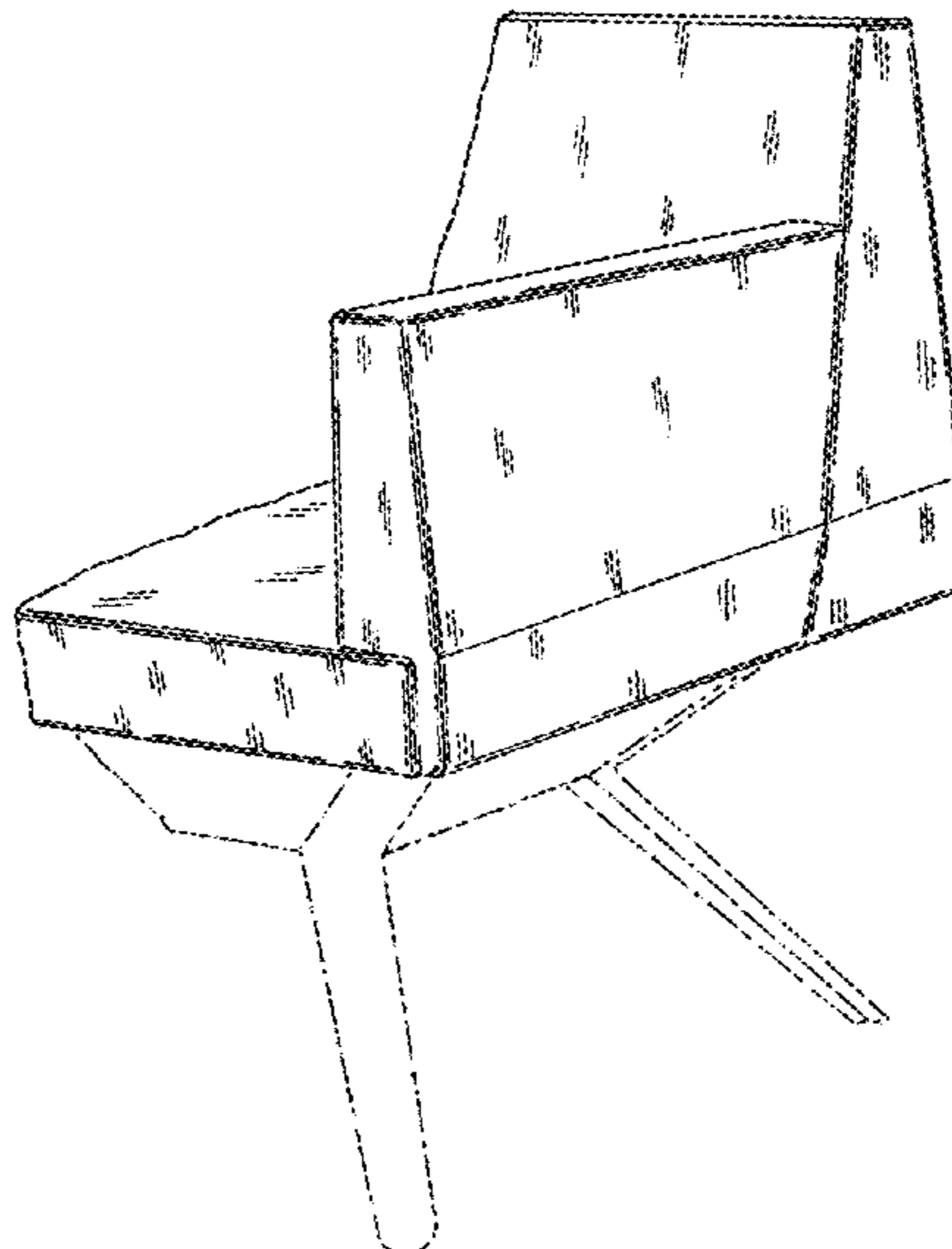
(57) **CLAIM**

The ornamental design for a lounge end, as shown.

DESCRIPTION

FIG. 1 is a broken away front perspective view of a lounge end in accordance with my design;
FIG. 2 is a front view thereof;
FIG. 3 is a side view thereof;
FIG. 4 is a rear view thereof; and,
FIG. 5 is a top view thereof.
The features shown in dashed lines are for illustrative purposes only and form no part of the claimed design.

1 Claim, 3 Drawing Sheets



(56)

References Cited

U.S. PATENT DOCUMENTS

D662,337 S	*	6/2012	Arko	D6/717
D662,338 S	*	6/2012	Arko	D6/717
D668,892 S		10/2012	Metcalf et al.	
D671,341 S		11/2012	Metcalf et al.	
D677,911 S		3/2013	Hamilton et al.	
D680,347 S		4/2013	Metcalf et al.	
D689,725 S		9/2013	Hamilton et al.	
D702,051 S	*	4/2014	Rasenberg	D6/334
D702,053 S		4/2014	Beucler et al.	
D718,949 S		12/2014	Meda	

* cited by examiner

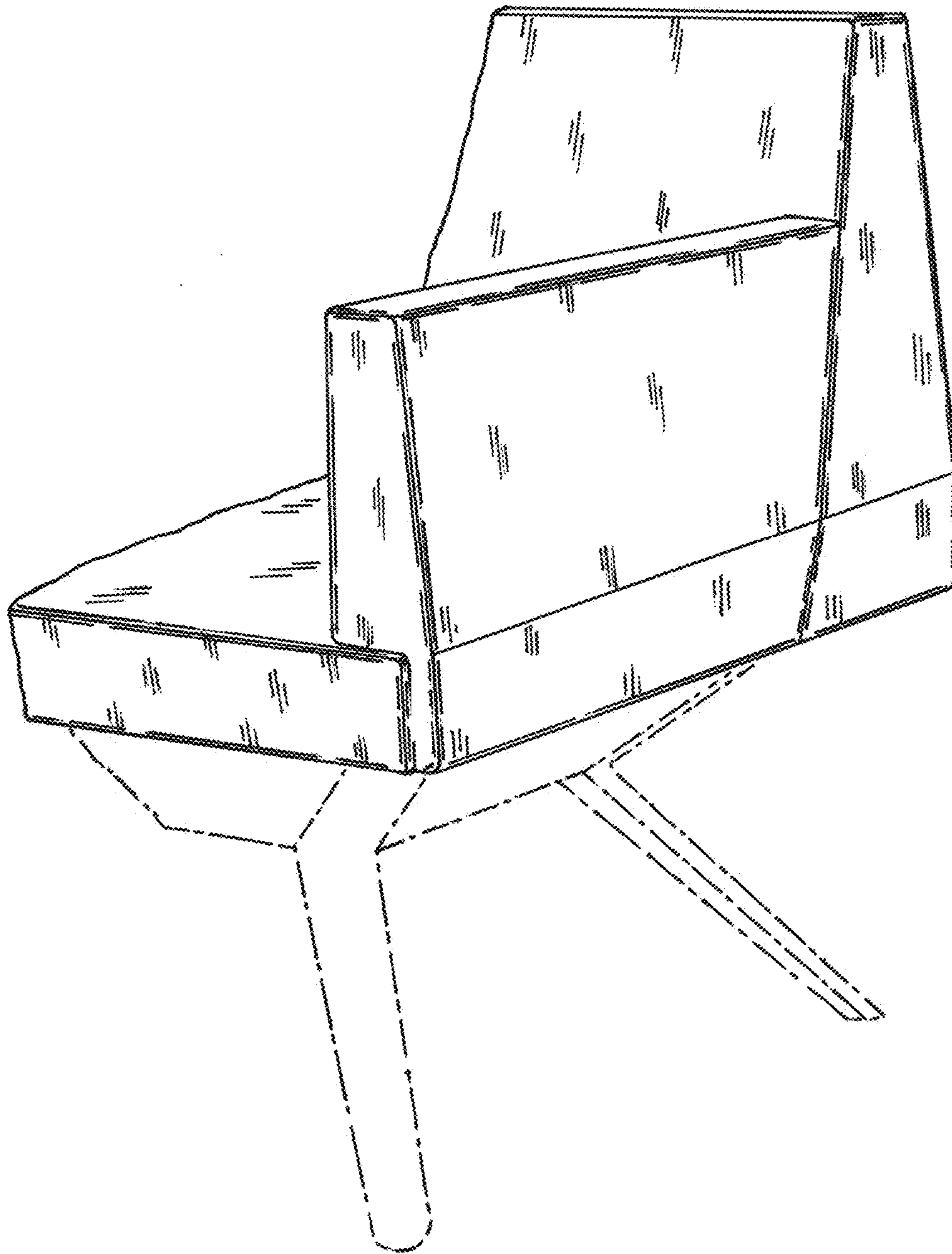


FIG. 1

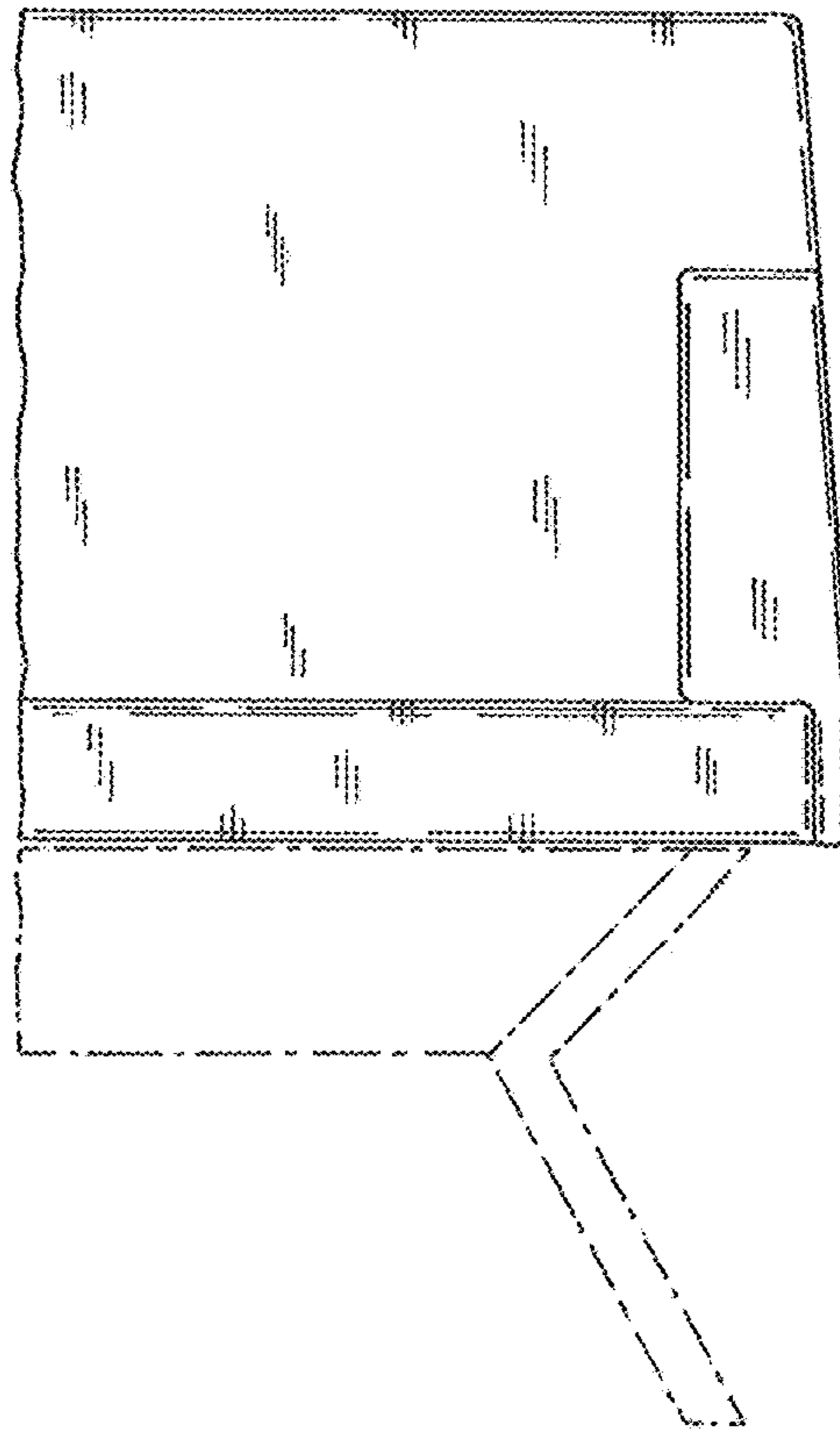


FIG. 2

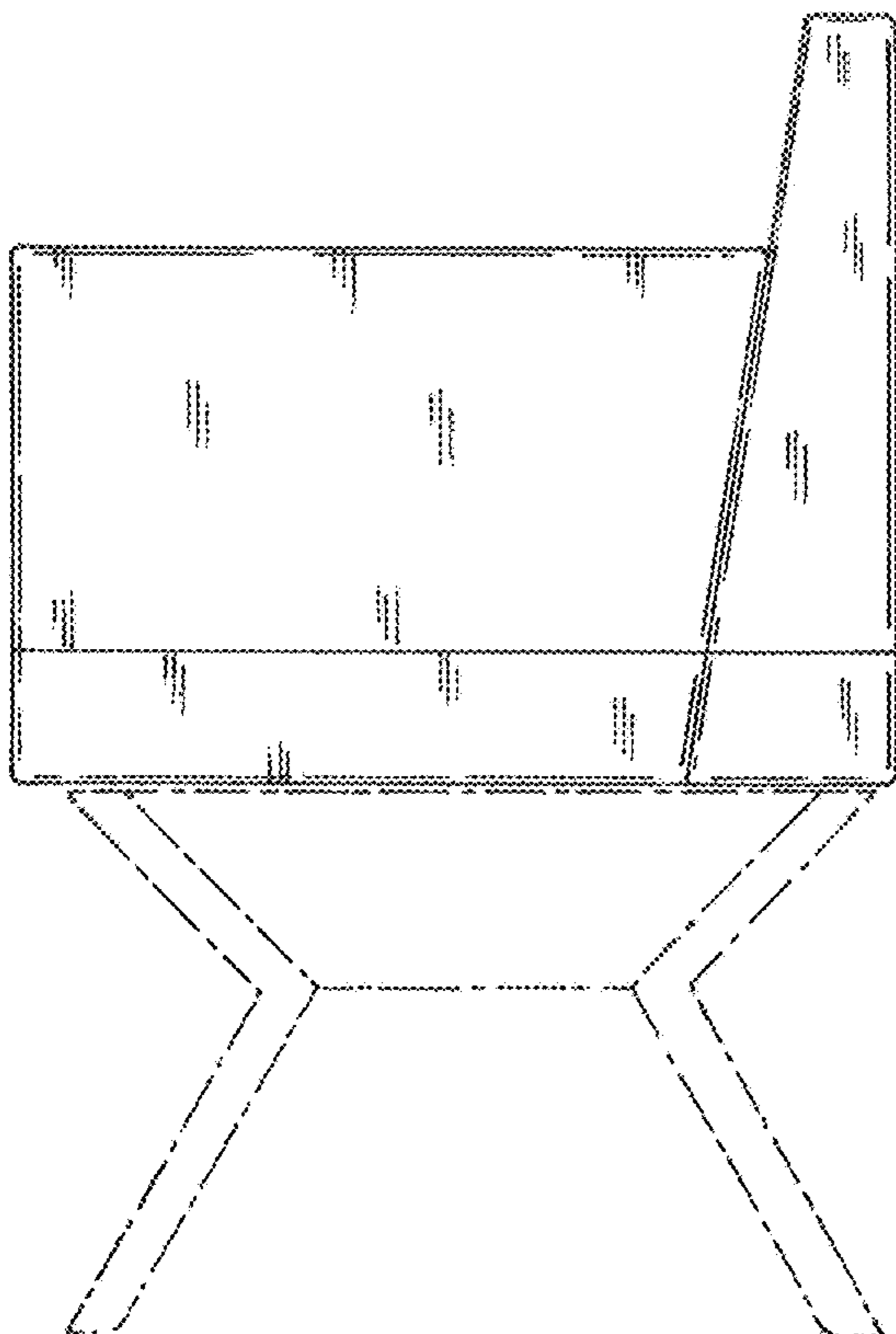


FIG. 3

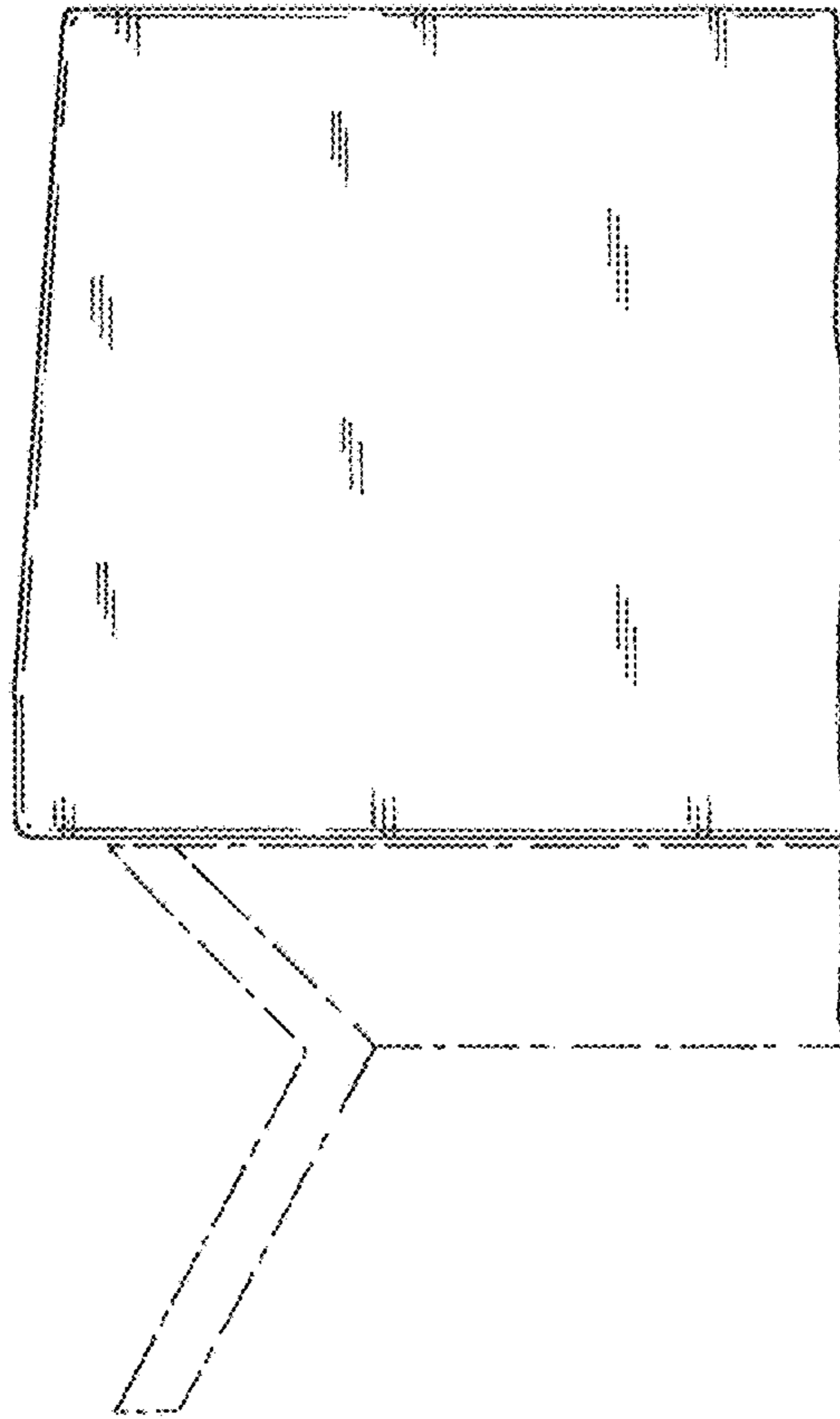


FIG. 4

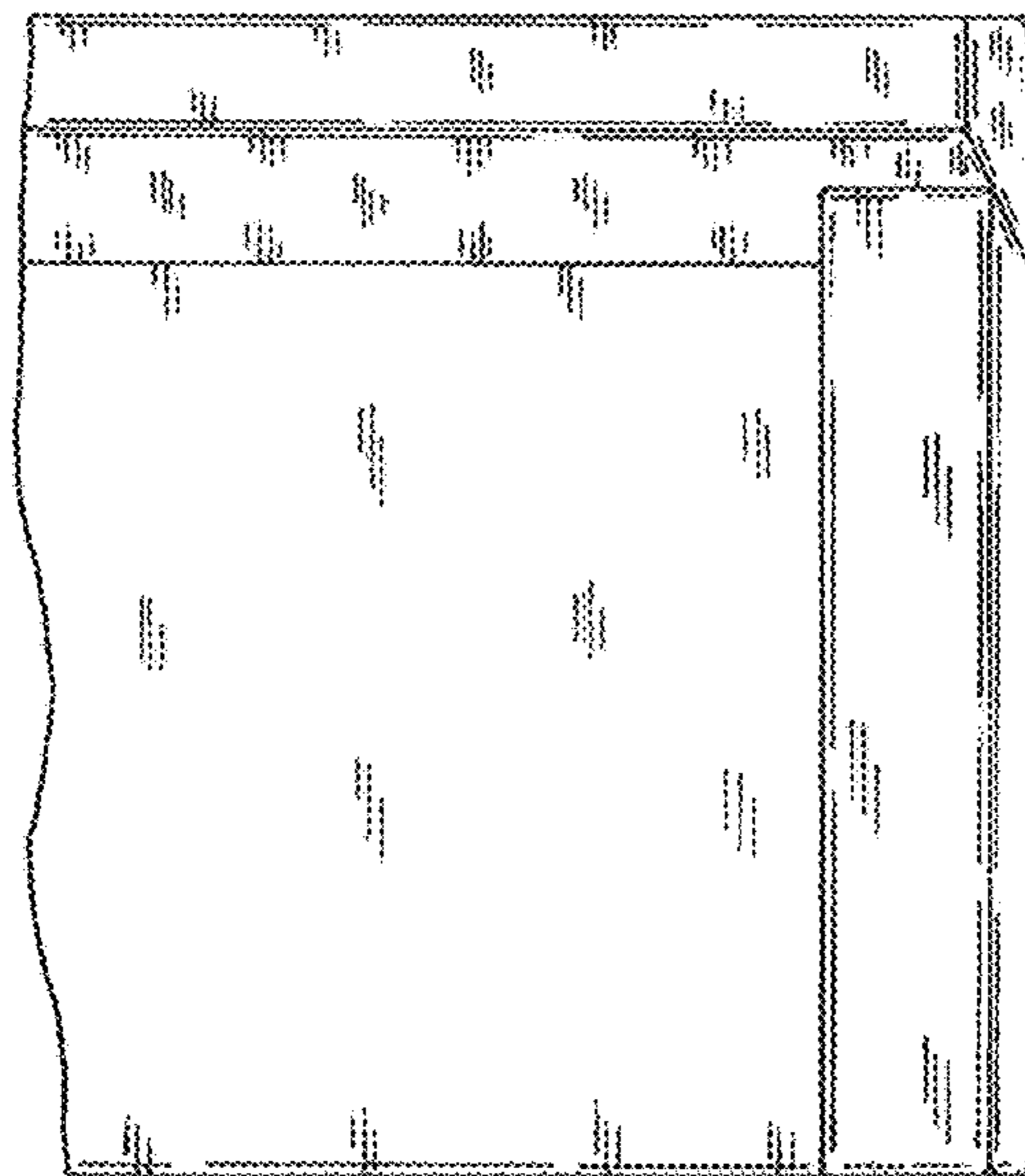


FIG. 5