



US00D774345S

(12) **United States Design Patent**
Tsai

(10) **Patent No.:** **US D774,345 S**

(45) **Date of Patent:** **** Dec. 20, 2016**

(54) **CHAIR BACK FRAME**

(71) Applicant: **ZHONGSHAN SHI SONGLIN FURNITURE CO., LTD**, Zhongshan, Guangdong Prov. (CN)

(72) Inventor: **Hsuan-Chin Tsai**, Chai-Yi Hsien (TW)

(73) Assignee: **Zhongshan Shi Songlin Furniture Co., Ltd.**, Zhongshan (CN)

(**) Term: **14 Years**

(21) Appl. No.: **29/521,130**

(22) Filed: **Mar. 20, 2015**

(51) **LOC (10) Cl.** **06-01**

(52) **U.S. Cl.**
USPC **D6/716.4**

(58) **Field of Classification Search**
USPC D6/334-336, 364, 365, 366, 369, 379, D6/380, 716, 716.4
CPC A47C 7/16; A47C 7/40; A47C 7/022; A47C 7/46; A47C 7/282; A47C 7/002
See application file for complete search history.

(56) **References Cited**

U.S. PATENT DOCUMENTS

D540,578 S * 4/2007 Chen D6/366
D540,580 S * 4/2007 Su D6/366

D545,076 S * 6/2007 Dallmann D6/366
D580,199 S * 11/2008 Su D6/716.4
D585,205 S * 1/2009 Wen D6/366
D645,683 S * 9/2011 Chen D6/366
D660,621 S * 5/2012 Su D6/366
D669,286 S * 10/2012 Pan D6/716.4
D687,660 S * 8/2013 Hsuan-Chin D6/366
D708,882 S * 7/2014 Hsuan-Chin D6/716.4

* cited by examiner

Primary Examiner — Mimoso De

(74) *Attorney, Agent, or Firm* — Alan D. Kamrath; Kamrath IP Lawfirm, P.A.

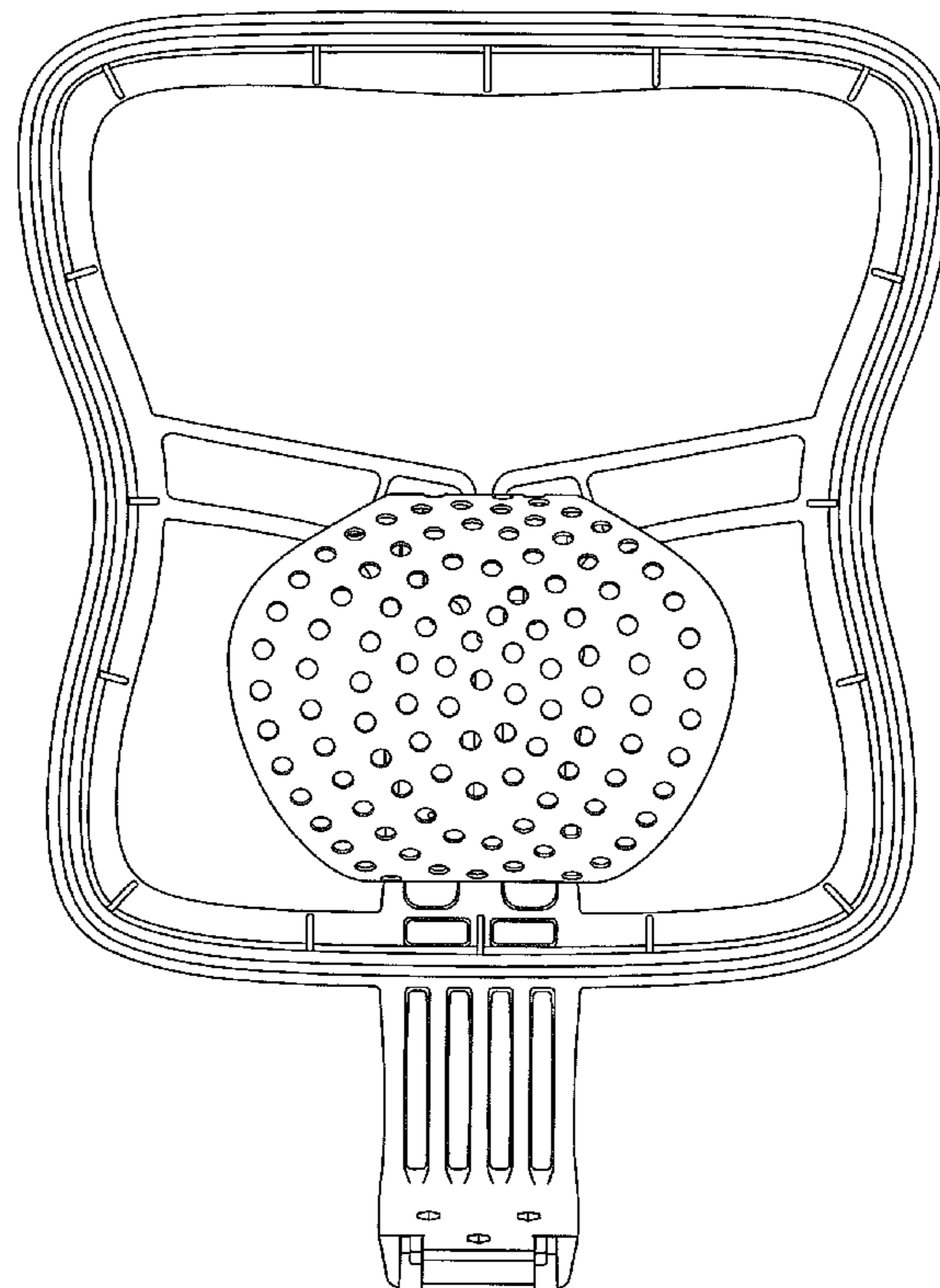
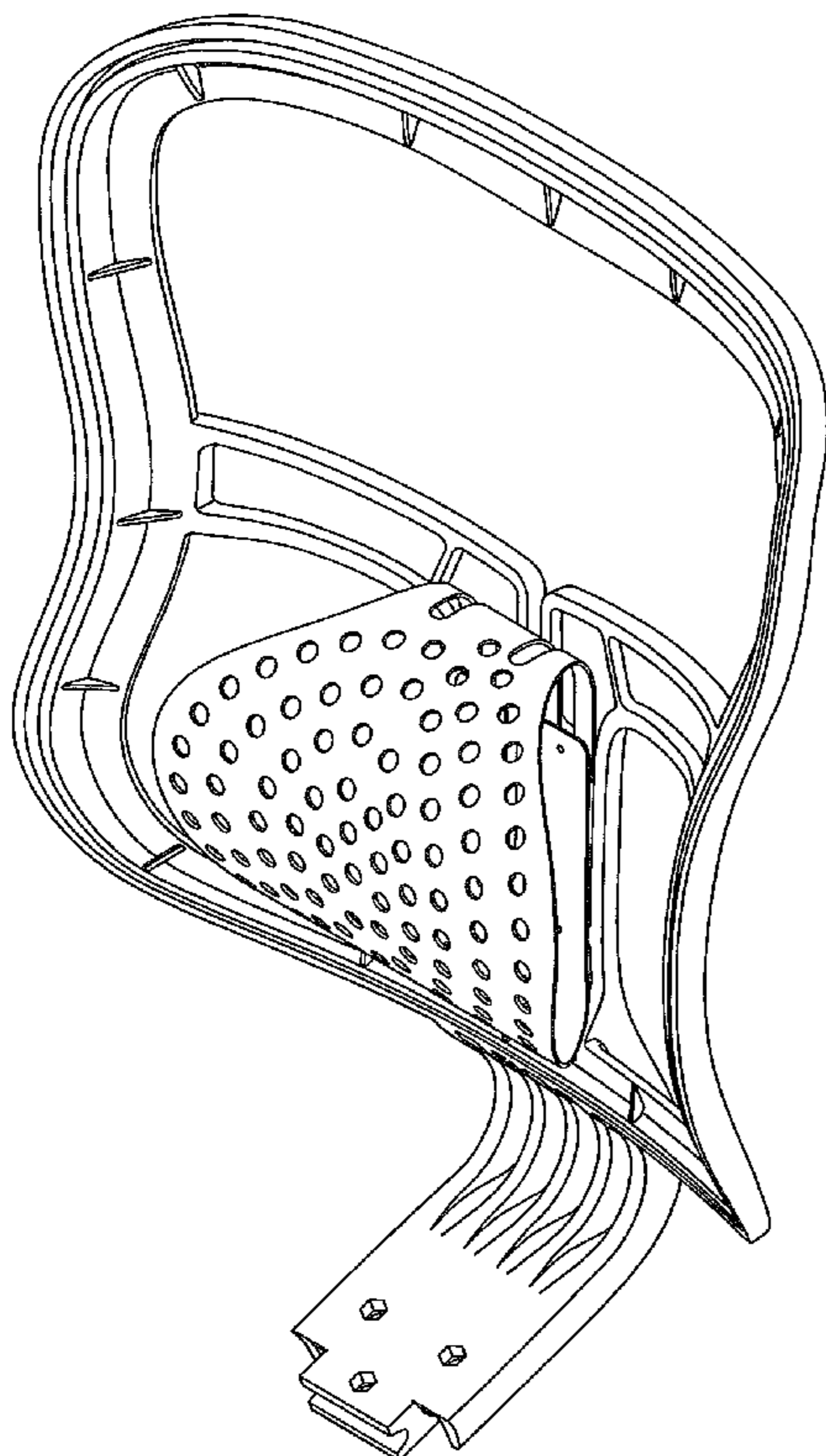
(57) **CLAIM**

The ornamental design for a chair back frame, as shown and described.

DESCRIPTION

FIG. 1 is a perspective view of a chair back frame, showing my new design;
FIG. 2 is a front elevational view thereof;
FIG. 3 is a rear elevational view thereof;
FIG. 4 is a left side view thereof;
FIG. 5 is a right side view thereof;
FIG. 6 is a top plan view thereof; and,
FIG. 7 is a bottom plan view thereof.

1 Claim, 5 Drawing Sheets



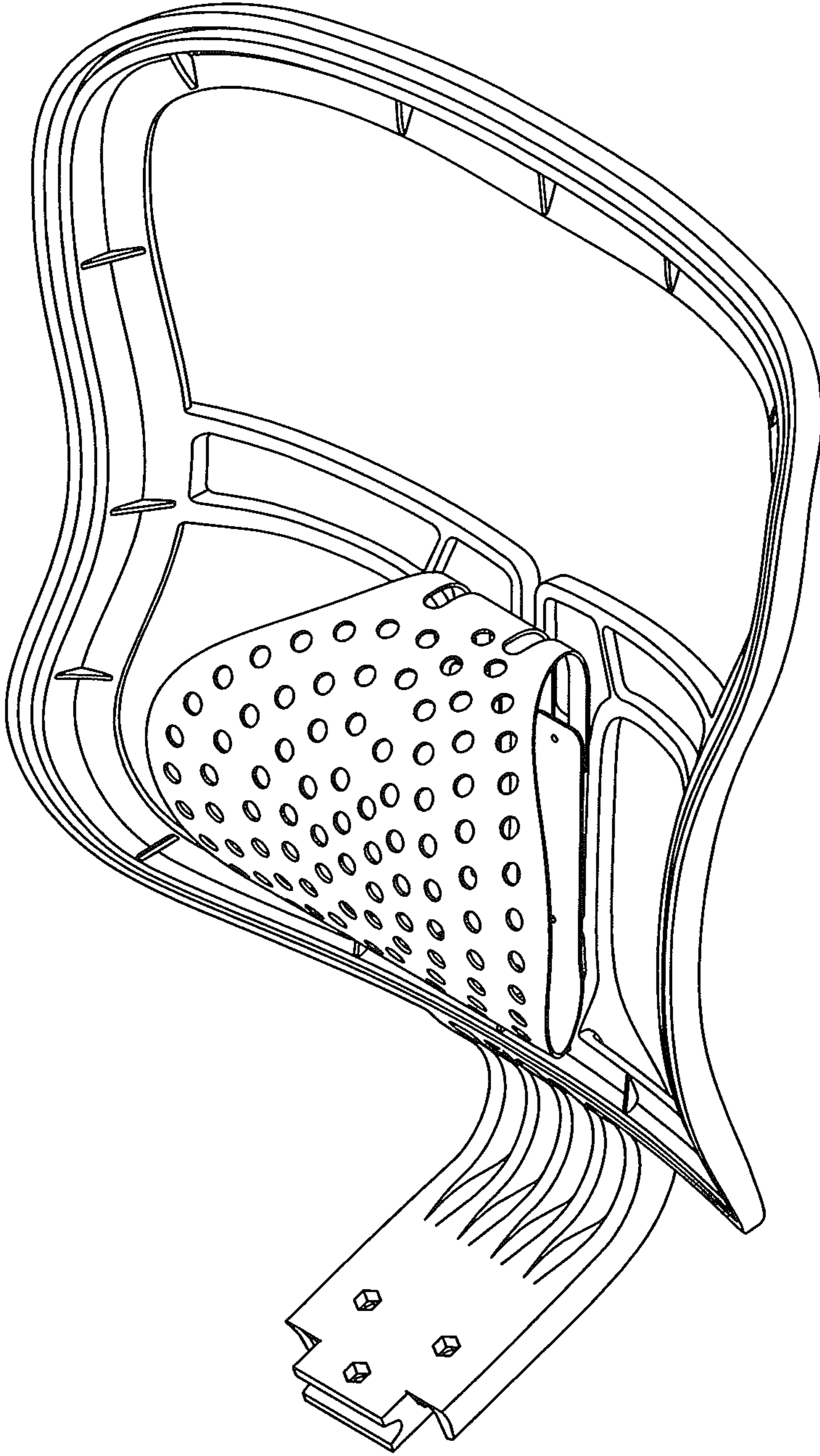


FIG. 1

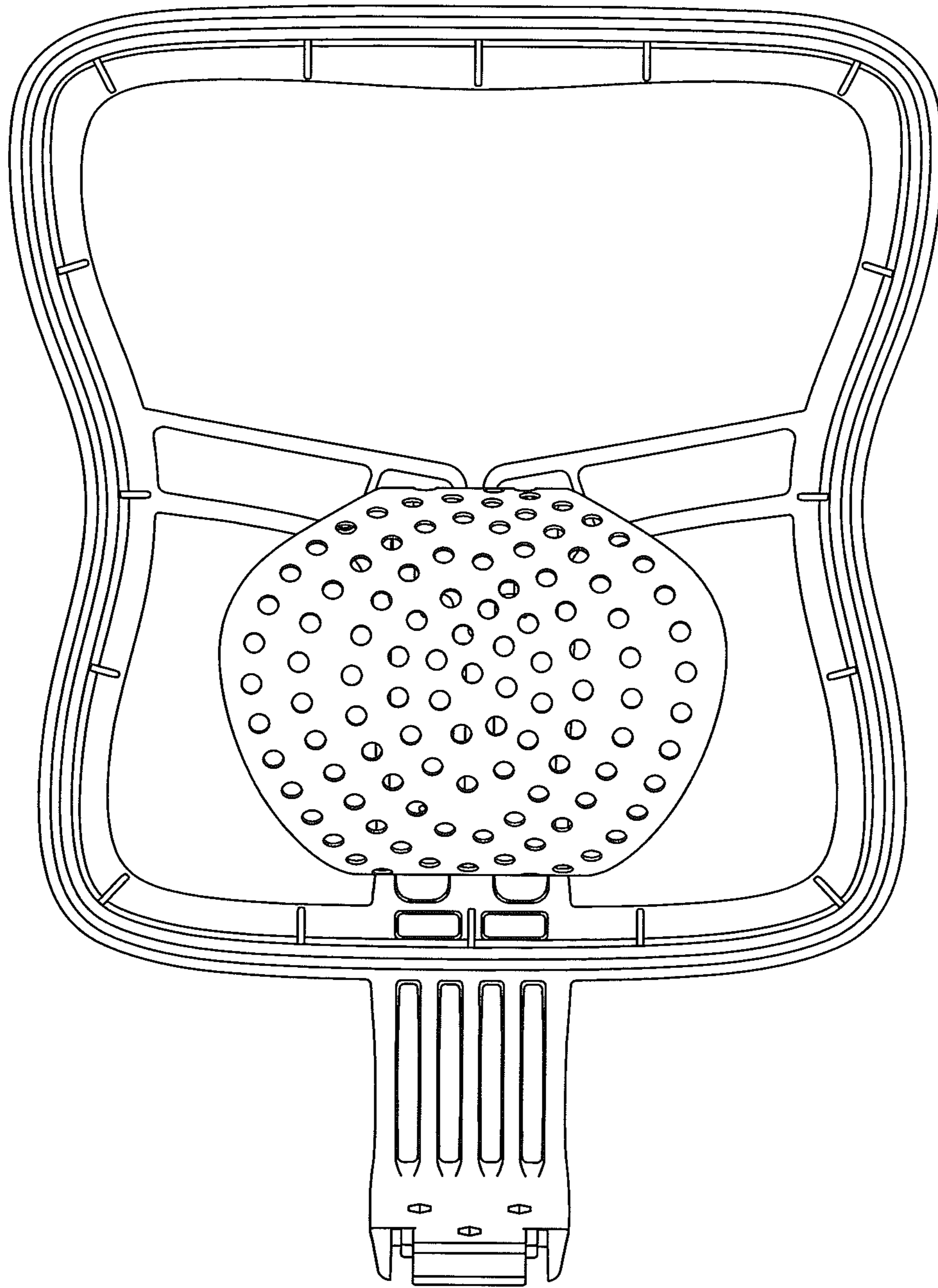


FIG. 2

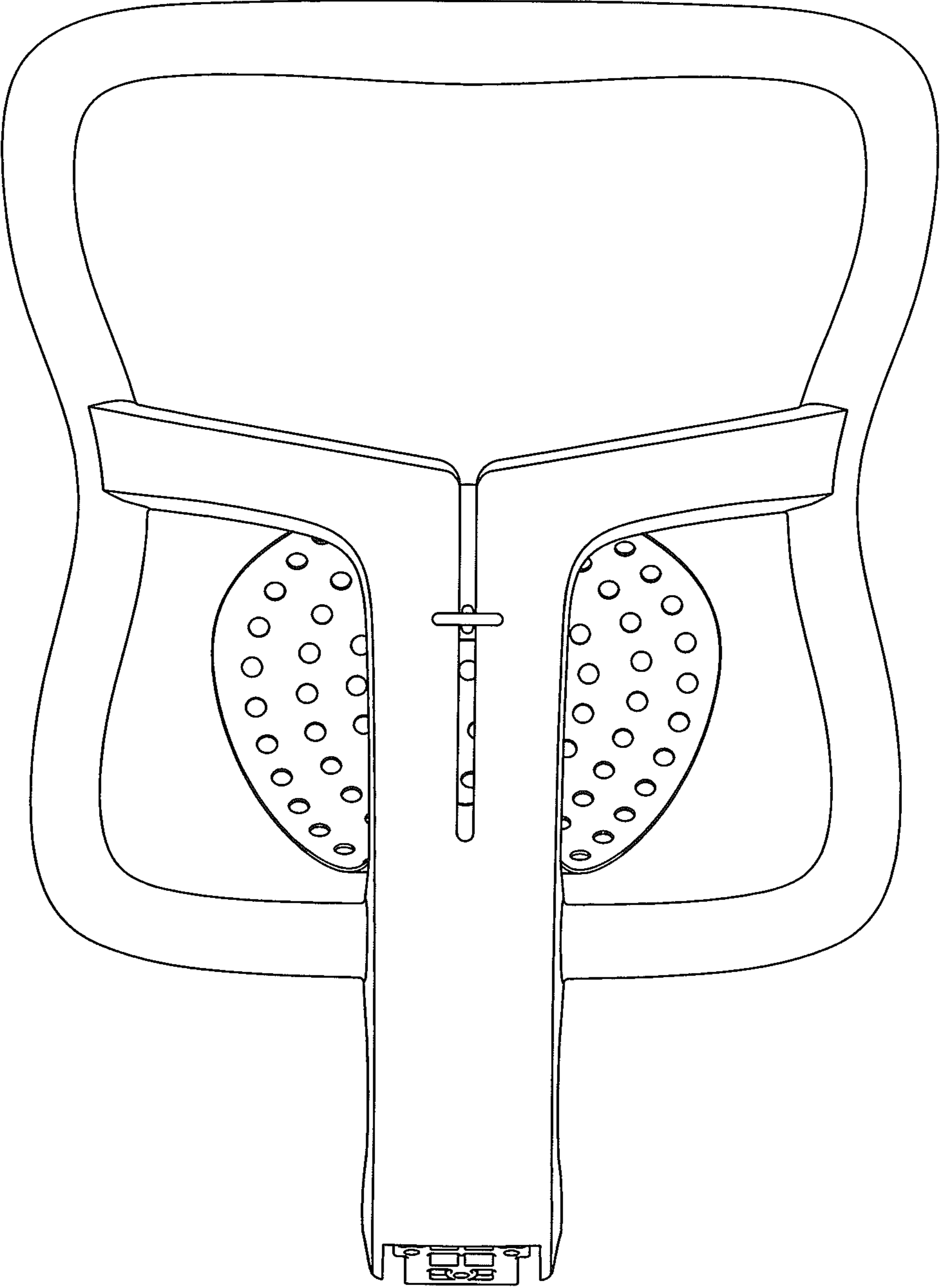


FIG. 3

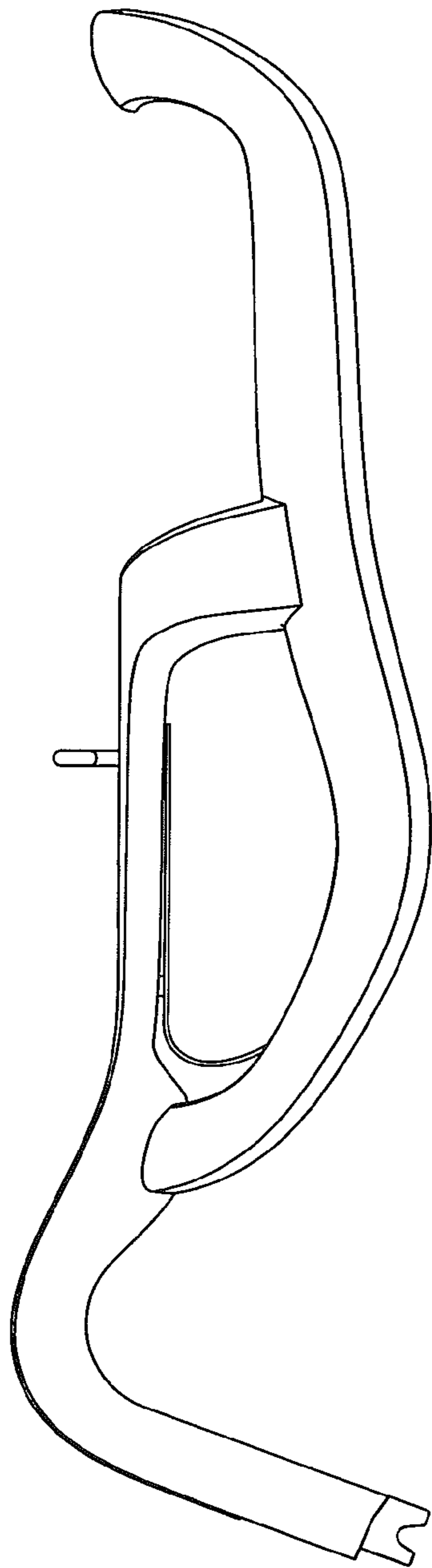


FIG. 4

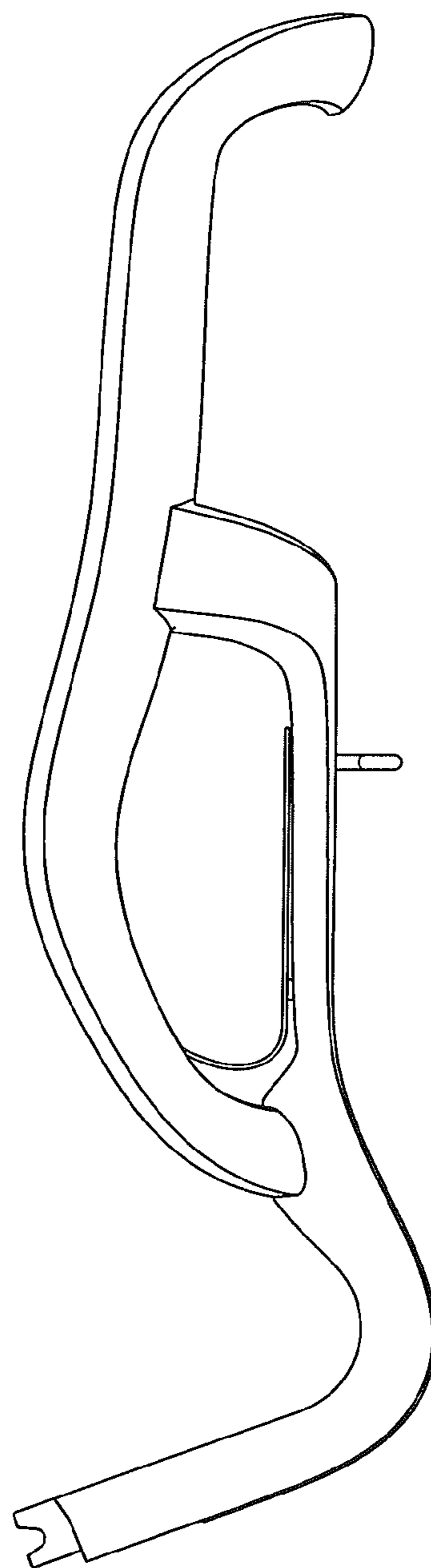


FIG. 5

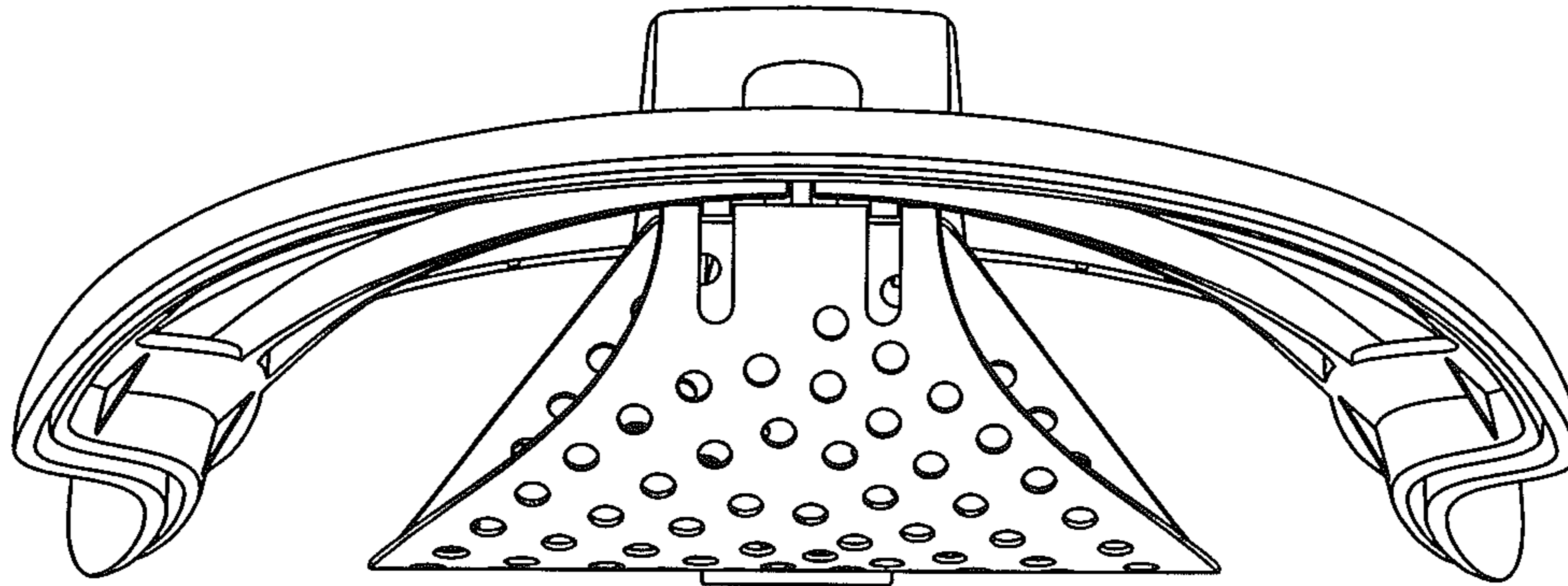


FIG. 6

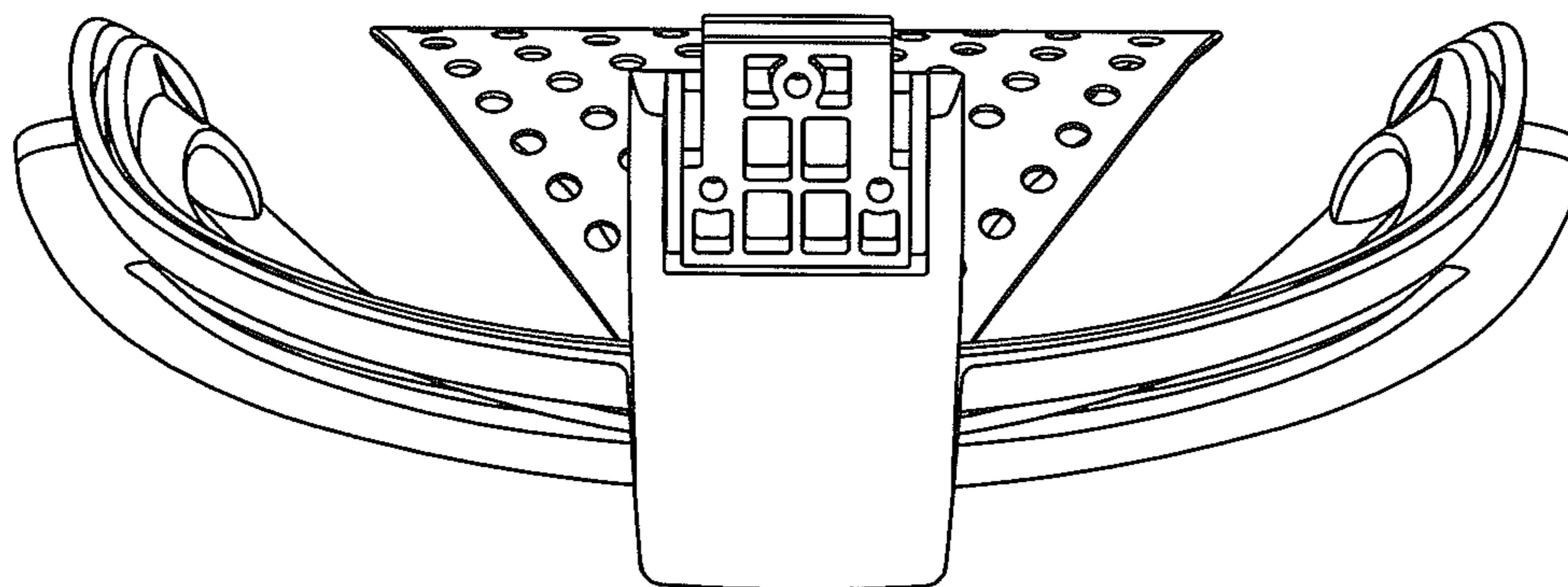


FIG. 7