



US00D774344S

(12) **United States Design Patent** (10) **Patent No.:** **US D774,344 S**
Alvarez et al. (45) **Date of Patent:** **** Dec. 20, 2016**

(54) **BACK ASSEMBLY**

(71) Applicant: **A-dec, Inc.**, Newberg, OR (US)

(72) Inventors: **Jason Alvarez**, Portland, OR (US);
Charles Stark, Tigard, OR (US); **Fred Kaas**, Portland, OR (US)

(73) Assignee: **A-dec, Inc.**, Newberg, OR (US)

(**) Term: **14 Years**

(21) Appl. No.: **29/519,429**

(22) Filed: **Mar. 4, 2015**

(51) **LOC (10) Cl.** **06-01**

(52) **U.S. Cl.**
USPC **D6/716.4**

(58) **Field of Classification Search**
USPC D6/334-336, 364, 365, 366, 374, 716,
D6/716.1, 716.4
CPC A47C 7/022; A47C 31/02; A47C 7/40;
A47C 7/18; A47C 7/004; A47C
4/028; A47C 7/54
See application file for complete search history.

(56) **References Cited**

U.S. PATENT DOCUMENTS

D227,953 S *	7/1973	Prizlow	D6/366
D233,807 S *	12/1974	Ruf	D6/366
D243,486 S *	3/1977	Buhk	D6/366
D256,739 S *	9/1980	Acton	D6/366
D395,172 S *	6/1998	Pate	D6/366
D405,617 S *	2/1999	Kaczmarek	D6/366
D463,178 S *	9/2002	Chu	D6/716.4
D463,694 S *	10/2002	Chu	D6/716.4
D541,086 S *	4/2007	McNamee	D6/716
D677,951 S *	3/2013	Voyce, IV	D6/716

D699,060 S *	2/2014	Geiger	D6/716
D708,464 S *	7/2014	Gokhale	D6/716
2006/0250019 A1 *	11/2006	Wu	A47C 31/02 297/452.21

OTHER PUBLICATIONS

A-dec, Inc., Specialty Seating for Robust Support, <http://us.a-dec.com/en/~media/Adec/Document%20Library/Product%20Information/Sales%20Information/Fact%20Sheets/85607200.pdf> (downloaded Jun. 4, 2015).
Ahearn, Dr. David J., "Operator Seating: Support for Life," <http://rgpdental.com/pdfs/ProperSeating.pdf> (downloaded on Jun. 4, 2015).

(Continued)

Primary Examiner — Mimosa De
(74) *Attorney, Agent, or Firm* — Klarquist Sparkman, LLP

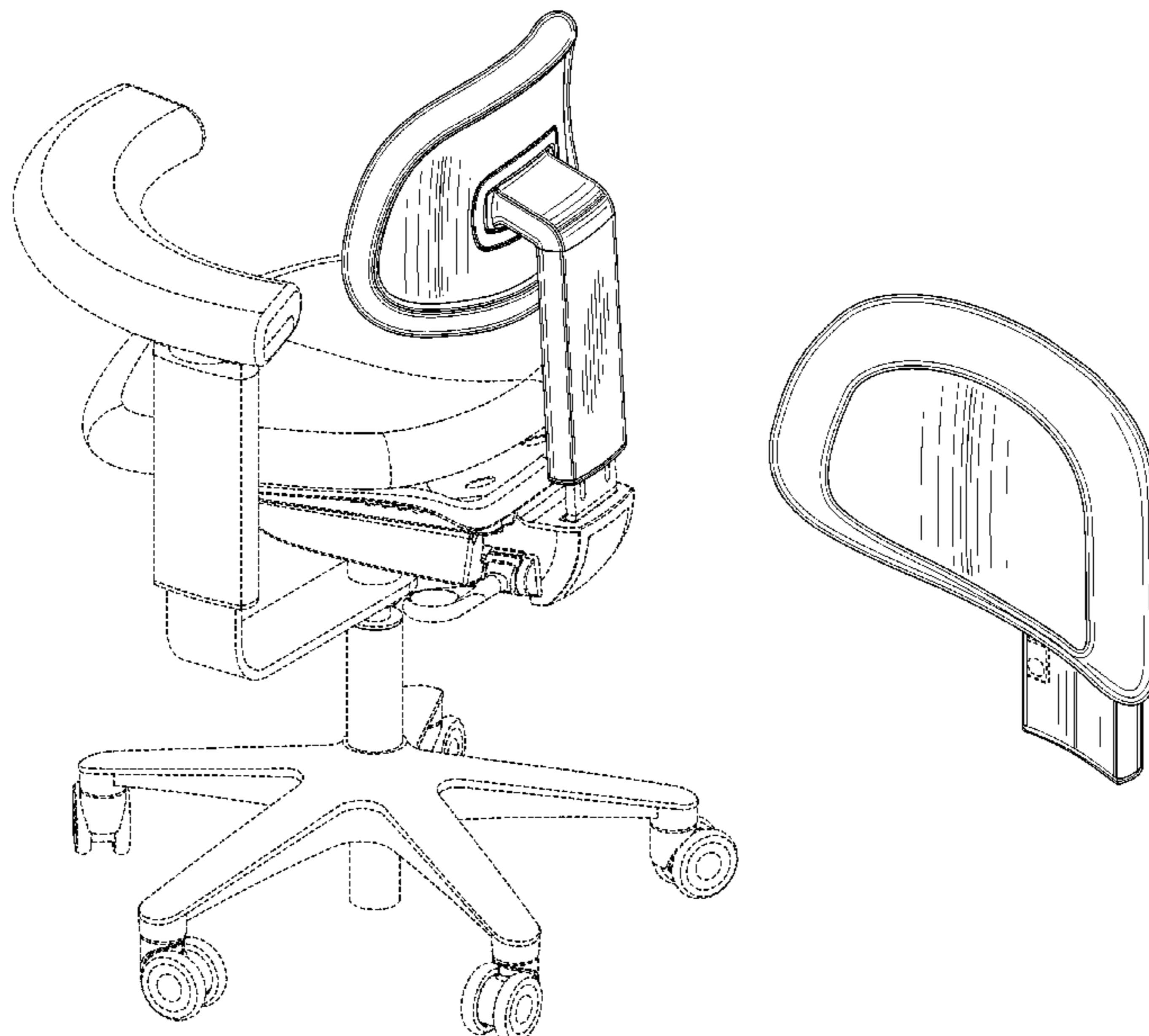
(57) **CLAIM**

We claim the ornamental design for a back assembly, as shown and described.

DESCRIPTION

FIG. 1 is a perspective view of a back assembly on a stool showing a top, a back and a left side.
FIG. 2 is another perspective view of the back assembly of FIG. 1 showing a front, the top and the left side.
FIG. 3 is left side elevational view, the right side being a mirror image.
FIG. 4 is a rear elevational view.
FIG. 5 is a top plan view
FIG. 6 is a front elevational view; and,
FIG. 7 is a bottom plan view.
The broken line showings of an actuator and a mounting portion form no part of the claimed design. The broken line showing of a portion of the stool illustrates the environment of the claimed design and forms no part thereof.

1 Claim, 3 Drawing Sheets



(56)

References Cited

OTHER PUBLICATIONS

Back Quality Ergonomics, CorrectSit™, http://www.bqe-usa.com/blobs/PDF2/090707_BQE_CorrectSit_MAIL_ENG_09.pdf (downloaded on Jun. 4, 2015).

Back Quality Ergonomics, Dynamic™, http://www.bqe-usa.com/blobs/PDF2/090707_BQE_Dynamic_MAIL_EN.pdf (downloaded on Jun. 4, 2015).

Back Quality Ergonomics, ErgoSolex™, http://www.bqe-usa.com/blobs/PDF2/090707_BQE_ErgoSolex_MAIL_ENG_09.pdf (downloaded on Jun. 4, 2015).

Back Quality Ergonomics, The Sciszor®, 2 pages (document not dated).

Belmont Equipment, Operatory Seating, Dental Seating, 2 pages (document marked 2001).

Belmont Equipment, Operatory Seating, Model 100 and Model 101, 2 pages (document marked 2008).

Boyd Industries, Doctor Assistant Seating, <http://www.boydindustries.com/orthodontics/doctor-assistant-seating.php> (downloaded Jun. 4, 2015).

Brewer Company, Dental Seating, 8 pages (document marked Sep. 2013).

Brewer Design, DynaCore Seating System, http://brewercompany.com/wp-content/uploads/2015/01/LIT-D-008_DynaCore-Brochure.pdf (downloaded Jun. 4, 2015).

Castellini, Stool C9, <http://pdf.medicaexpo.com/pdf/castellini/stool-c9/71690-138078.html#open> (downloaded Jun. 4, 2015).

CB Dental, Andy, 1 page (document not dated).

Crown Seating, Arm Brochure, <https://nebula.wsimg.com/dfc823241bfa3886dbe6b4311286776?AccessKeyId=AA76679BD814093F0D09&disposition=0&alloworigin=1> (downloaded Jun. 4, 2015).

DentaleZ Group, Elbow Support, http://www.dentalez.com/downloads/product-literature/cat_view/71-downloads/49-product-literature/87-dentalez-equipment (downloaded Jun. 4, 2015).

DentaleZ Group, ErgoSure™ Stools, http://www.dentalez.com/downloads/product-literature/cat_view/71-downloads/49-product-literature/87-dentalez-equipment (downloaded Jun. 4, 2015).

DentaleZ Group, ErgoSure™ Stools Manual, <http://www.dentalez.com/products/dentalez/dental-stools/ergosure-stools/63-ergosure-stools-product-literature-photographs-manuals> (downloaded Jun. 4, 2015).

Forest Dental, Doctor's Deluxe 6126C, <http://catalog.forestdental.com/chairs-stools/stools> (downloaded Jun. 4, 2015).

KaVo, Physio Evo, <http://pdf.medicaexpo.com/pdf/kavo/physio-evo/70663-126121.html> (downloaded Jun. 4, 2015).

KaVo, Physio One, <http://www.kavo.com/en/file/4702/download?token=EeWCNgzk> (downloaded on Jun. 4, 2015).

Marus, Dental Stools, <http://marus.com/dental-chairs/stools/> (downloaded Jun. 4, 2015).

Midmark, Seating, <http://www.midmark.com/docs/default-source/marketing-collateral/007-0715-00.pdf?sfvrsn=2> (downloaded Jun. 4, 2015).

Pelton & Crane, Spirit Chairs, 5 pages (document marked May 2012).

Pelton & Crane, Stools, 1 page (document not dated).

Planmeca, Dental Stools, 2 pages (document not dated).

RGP Inc, Dental, <http://rgpdental.com/dental> (downloaded Jun. 4, 2015).

Royal Dental Group, A2150 Operator Stool, <http://www.royaldentalgroup.com/pdfs/A2150.pdf> (downloaded Jun. 4, 2015).

Royal Dental Group, A2160 Assistant Stool, <http://www.royaldentalgroup.com/pdfs/A2160.pdf> (downloaded Jun. 4, 2015).

Royal Dental Group, D2110 Operator Stool, <http://www.royaldentalgroup.com/pdfs/D2110.pdf> (downloaded Jun. 4, 2015).

Royal Dental Group, D2120 Assistant Stool, <http://www.royaldentalgroup.com/pdfs/D2120.pdf> (downloaded Jun. 4, 2015).

Royal Dental Group, RA24 Assistant Stool, <http://www.royaldentalgroup.com/pdfs/RA24.pdf> (downloaded Jun. 4, 2015).

Royal Dental Group, RO2 Operator Stool, <http://www.royaldentalgroup.com/pdfs/RO2.pdf> (downloaded Jun. 4, 2015).

Royal Dental Group, RO44 Operator Stool, <http://www.royaldentalgroup.com/pdfs/RO44.pdf> (downloaded Jun. 4, 2015).

Salli, Surgeon, http://www.salli.com/print.asp?siteid=en&id=Salli_Surgeon_2 (downloaded Dec. 10, 2014).

Scandex LLC, Classic, Series 400 w/ Relax-style arm supports, <http://www.scandex.us/bjorn/default.aspx> (downloaded Jun. 4, 2015).

Scandex LLC, Unisex, Series 600 w/ Dual Swing-arm Support SAD12, <http://www.scandex.us/bjorn/default.aspx> (downloaded Jun. 4, 2015).

Sirona, Carl—The All-Around Seat, <http://www.sirona.com/en/products/treatment-centers/carl/?tab=390> (downloaded Jun. 4, 2015).

Sirona, Hugo—The Smart Stool for you Dental Practice, <http://www.sirona.com/ecomaXL/files/A91100-M41-B116-01-7600.pdf&download=1> (downloaded Jun. 4, 2015).

Summit Dental Systems, Compare Products, Stool, http://www.summitdental.com/compare-products-view?type_1=stool (downloaded Jun. 4, 2015).

Tecnodent, Egg & Sting, <http://www.tecnodent.com/nuovo/wp-content/uploads/2014/07/Catalogo-Egg-Sting-ENG-Copia-3.pdf> (downloaded Jun. 4, 2015).

Tecnodent, Ergo Line, <http://www.tecnodent.com/nuovo/wp-content/uploads/2014/07/Catalogo-Ergo-ENG-Copia-21.pdf> (downloaded Jun. 4, 2015).

Tecnodent, Gel Line, <http://www.tecnodent.com/nuovo/wp-content/uploads/2014/07/Catalogo-Pluto-Venus-EN.pdf> (downloaded Jun. 4, 2015).

Valachi, Bethany S., "Operator Stools: How Selection and Adjustment Impact Your Health," <http://www.dentistrytoday.com/ergonomics/1109> (Aug. 31, 2005).

Vitali, Estro, 2 pages (document not dated).

* cited by examiner

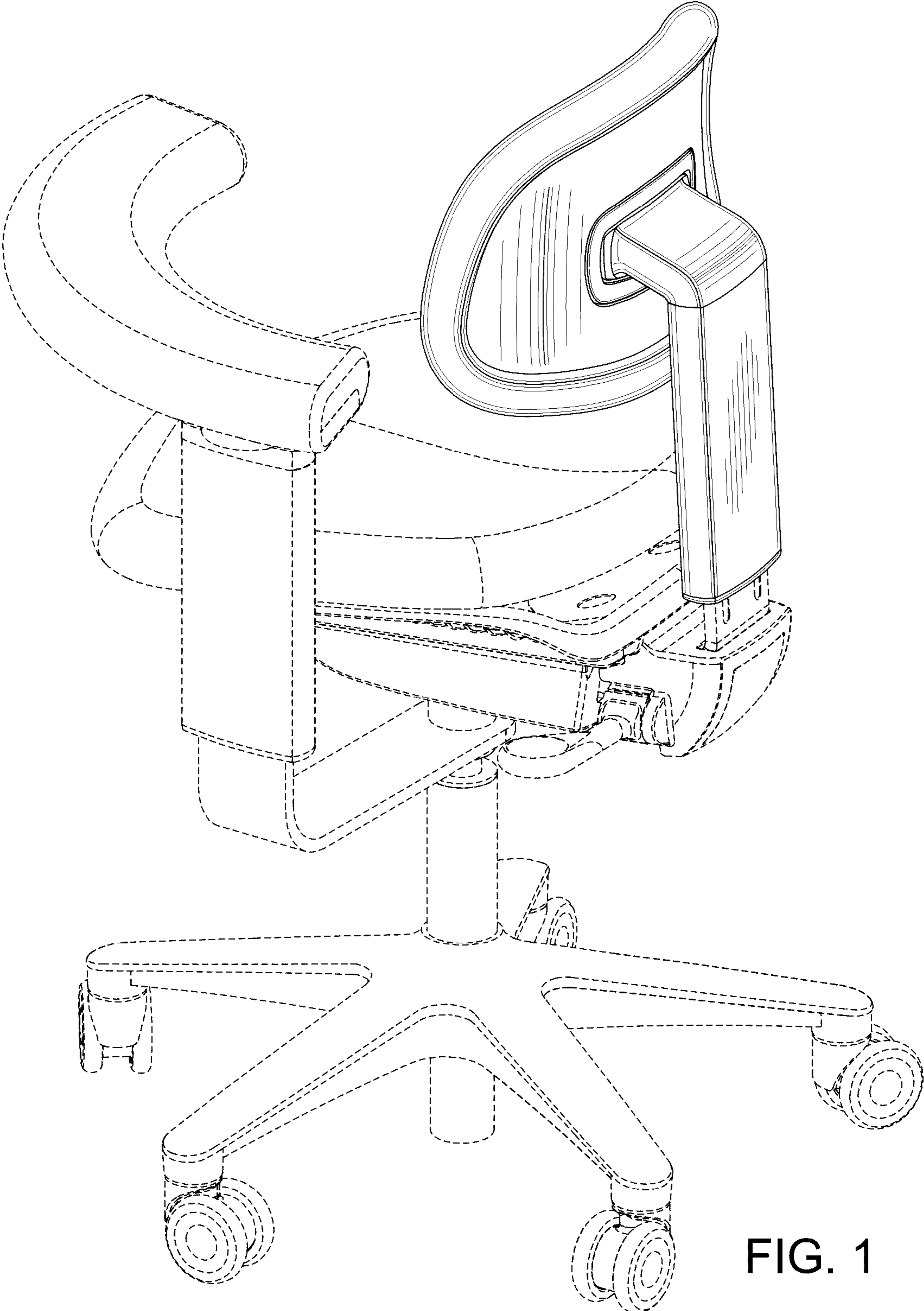


FIG. 1

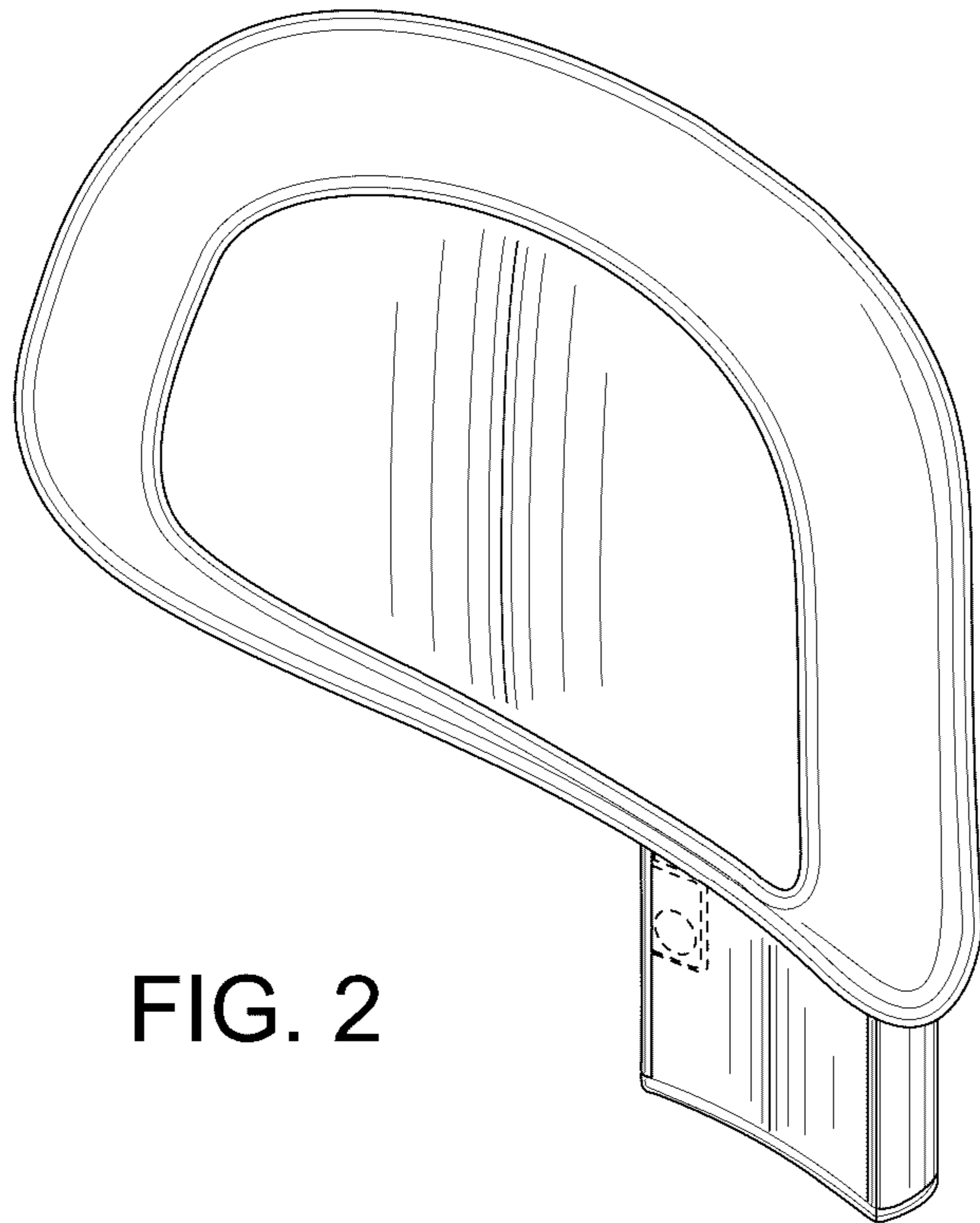


FIG. 2

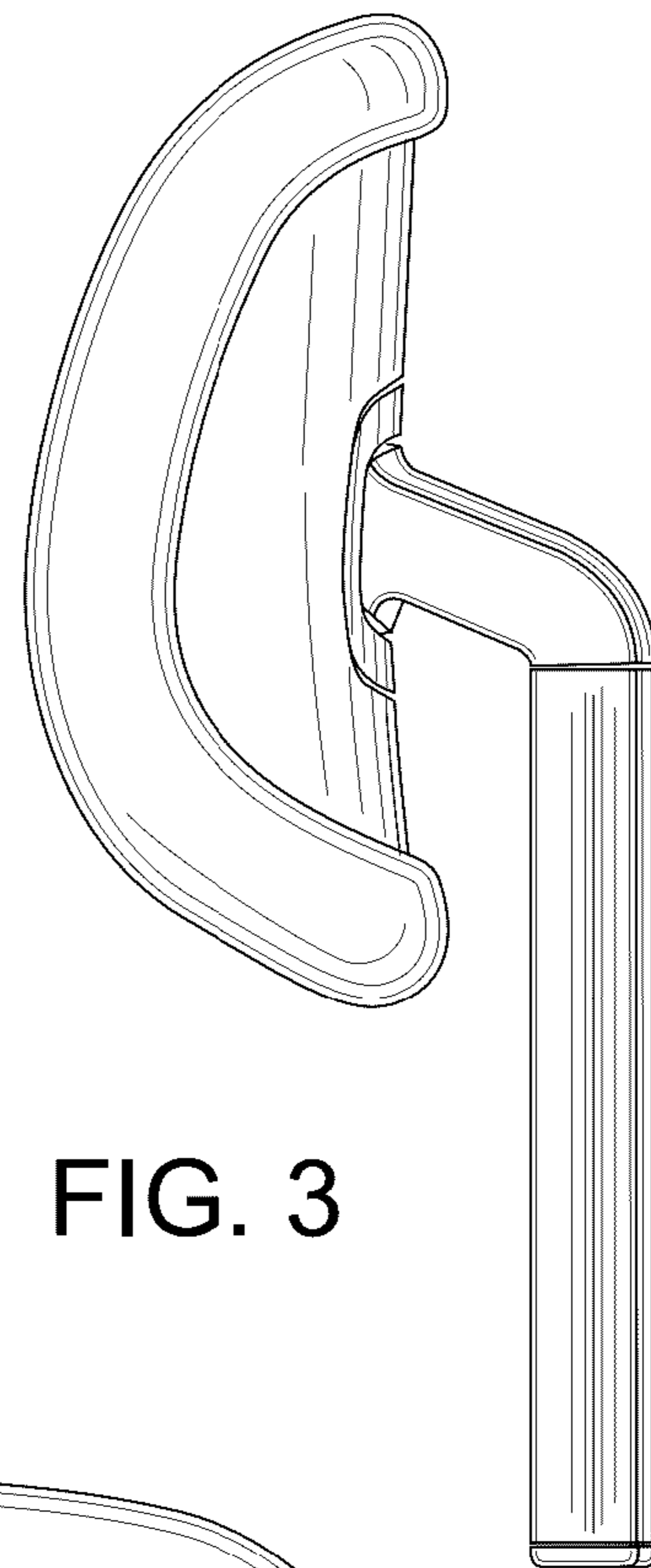


FIG. 3

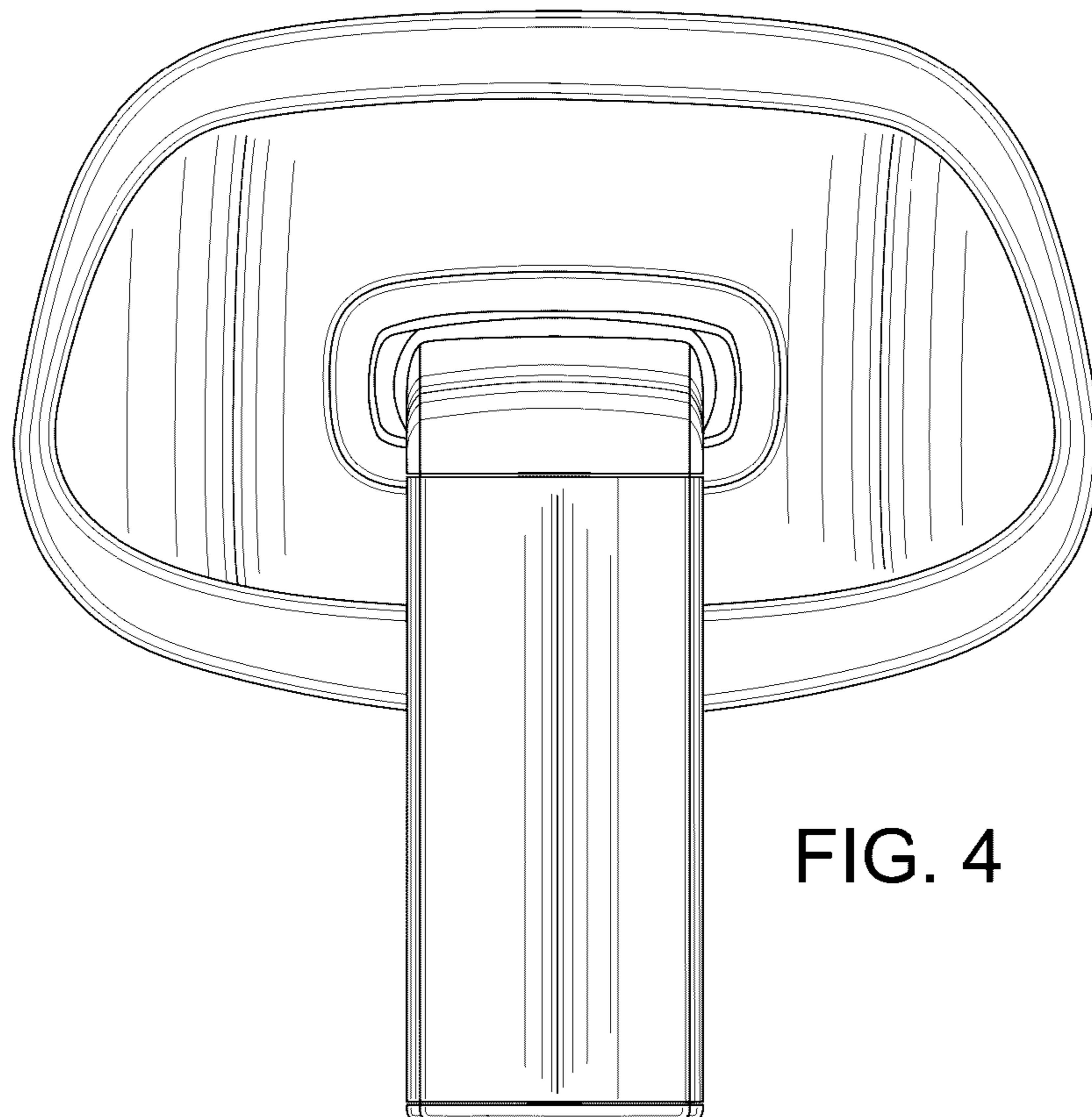


FIG. 4

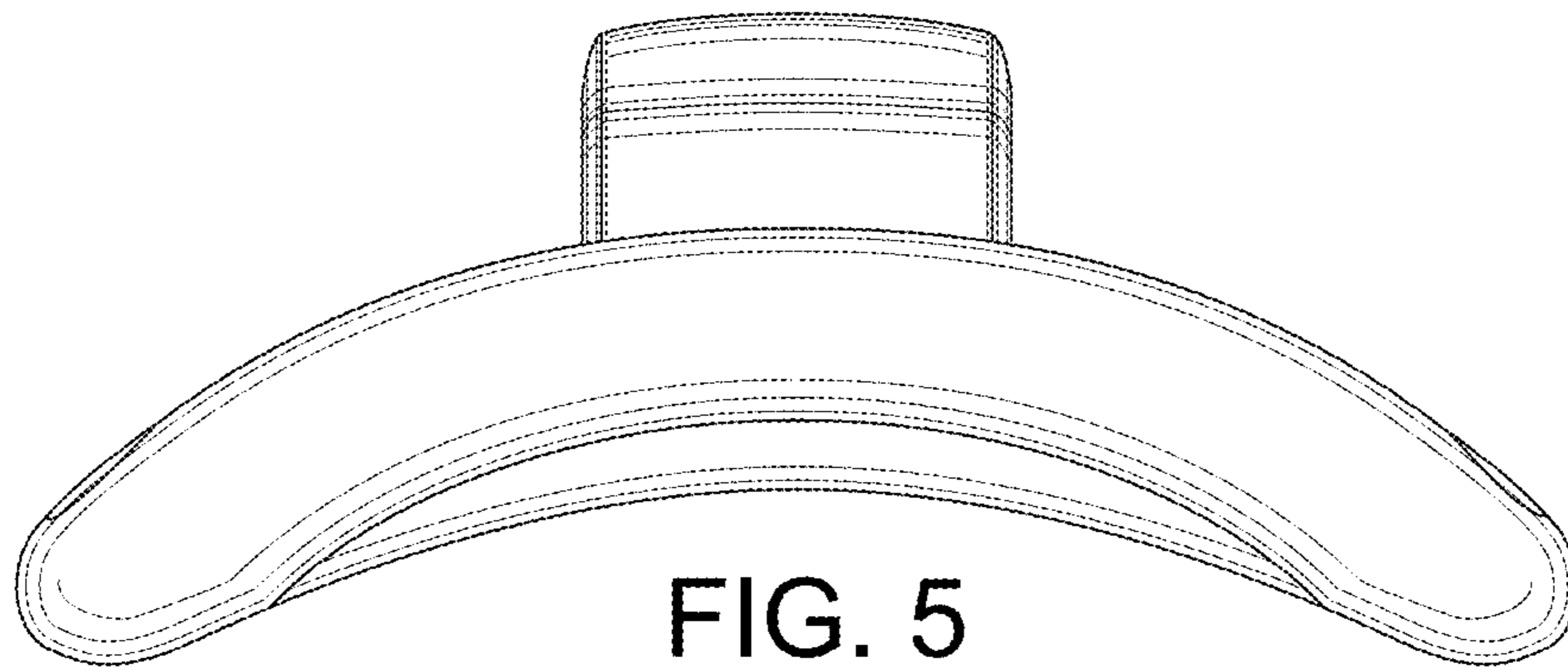


FIG. 5

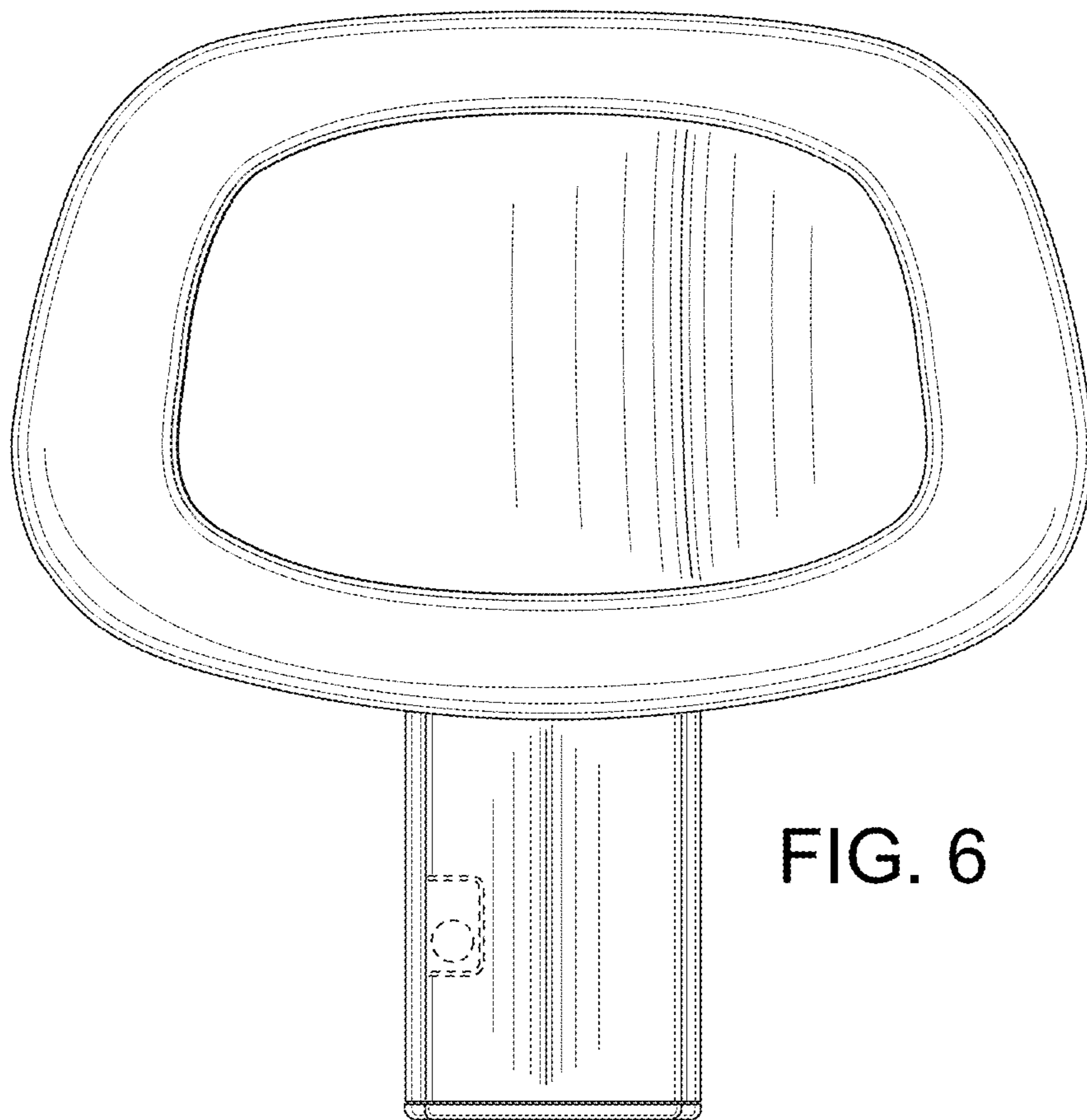


FIG. 6

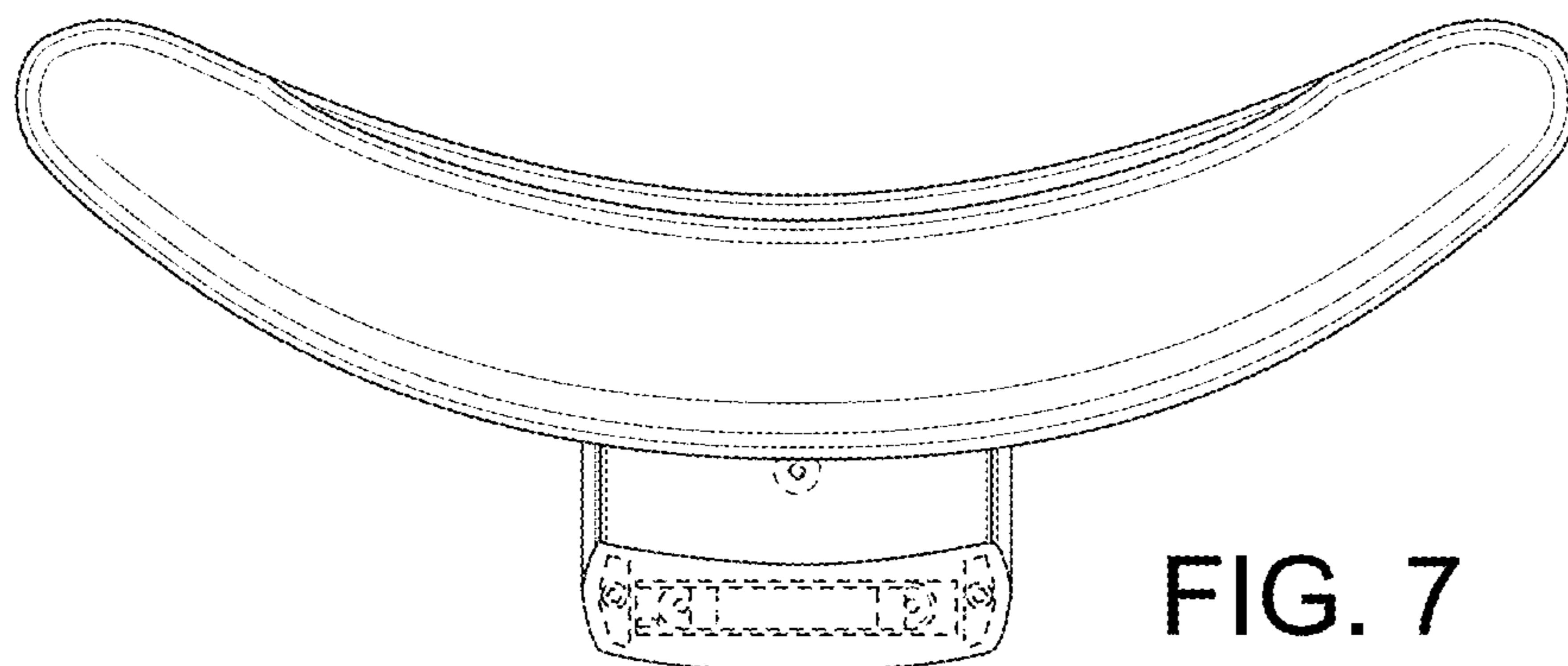


FIG. 7