



US00D774343S

(12) **United States Design Patent**  
**Egger**

(10) **Patent No.:** **US D774,343 S**

(45) **Date of Patent:** **\*\* Dec. 20, 2016**

(54) **SEVEN ARM**

D506,627 S \* 6/2005 Bock ..... D6/716.3  
D654,731 S \* 2/2012 Kubryk ..... D6/716  
D655,112 S \* 3/2012 Kubryk ..... D6/716

(71) Applicant: **Blumenthal Distributing Inc.**, Rancho Cucamonga, CA (US)

\* cited by examiner

(72) Inventor: **Julien Egger**, Santa Monica, CA (US)

*Primary Examiner* — Mimosa De

(73) Assignee: **Blumenthal Distributing Inc.**, Rancho Cucamonga, CA (US)

(74) *Attorney, Agent, or Firm* — Lewis Roca Rothgerber Christie LLP

(\*\*) Term: **14 Years**

(57) **CLAIM**

(21) Appl. No.: **29/509,766**

The ornamental design for seven arm, as shown and described.

(22) Filed: **Nov. 20, 2014**

(51) **LOC (10) Cl.** ..... **06-01**

(52) **U.S. Cl.**  
USPC ..... **D6/716.3**

**DESCRIPTION**

(58) **Field of Classification Search**  
USPC ..... D6/334-336, 366, 367, 369, 379, 380,  
D6/716, 716.2, 716.3, 716.4  
CPC ..... A47C 7/54; A47C 7/543; A47C 7/40;  
A47C 7/022; A47C 7/282  
See application file for complete search history.

FIG. 1 is a top outside rear perspective view of a seven arm front face according to my new design;  
FIG. 2 is a top inside rear perspective view thereof;  
FIG. 3 is an outside elevational view thereof;  
FIG. 4 is a front elevational view thereof;  
FIG. 5 is an inside elevational view thereof;  
FIG. 6 is a rear elevational view thereof;  
FIG. 7 is a top elevational view thereof; and,  
FIG. 8 is a bottom elevational view thereof.  
The broken lines shown in the drawing are for the purpose of illustrating environmental structure and form no part of the claimed design.

(56) **References Cited**

U.S. PATENT DOCUMENTS

D413,215 S \* 8/1999 Mei ..... D6/716.3  
D468,140 S \* 1/2003 Tsai ..... D6/716.3

**1 Claim, 8 Drawing Sheets**

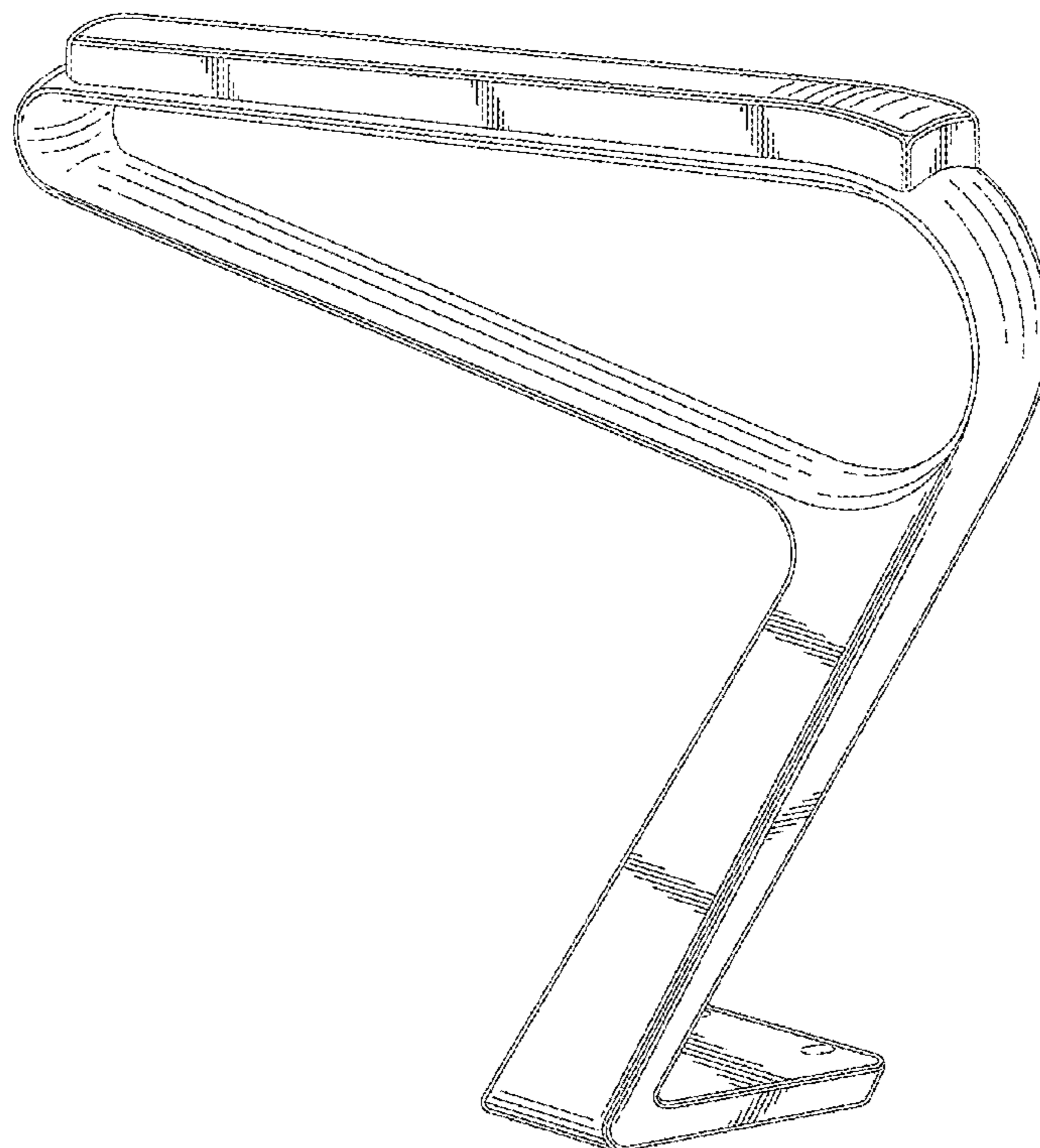


FIG. 1

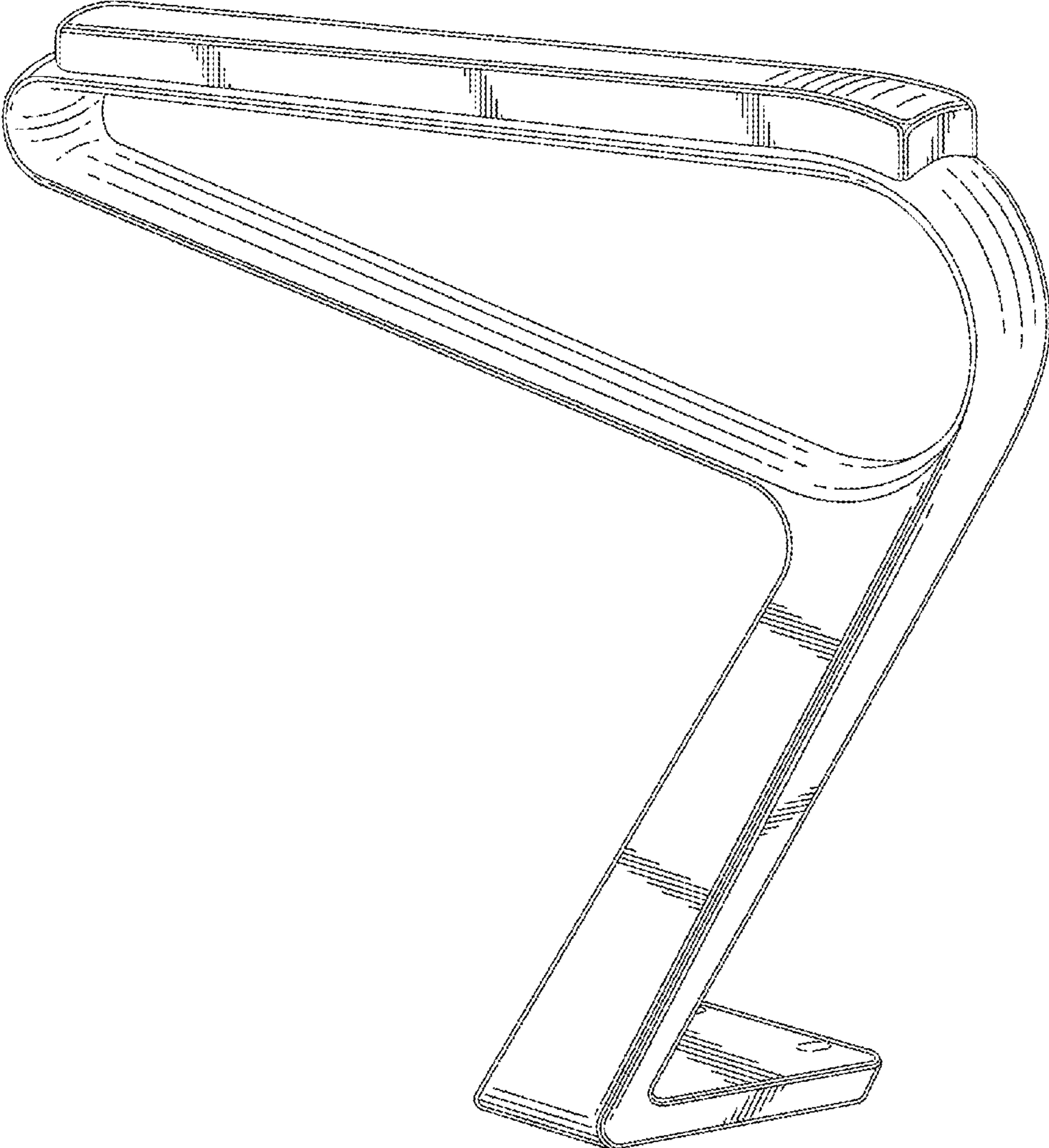


FIG. 2

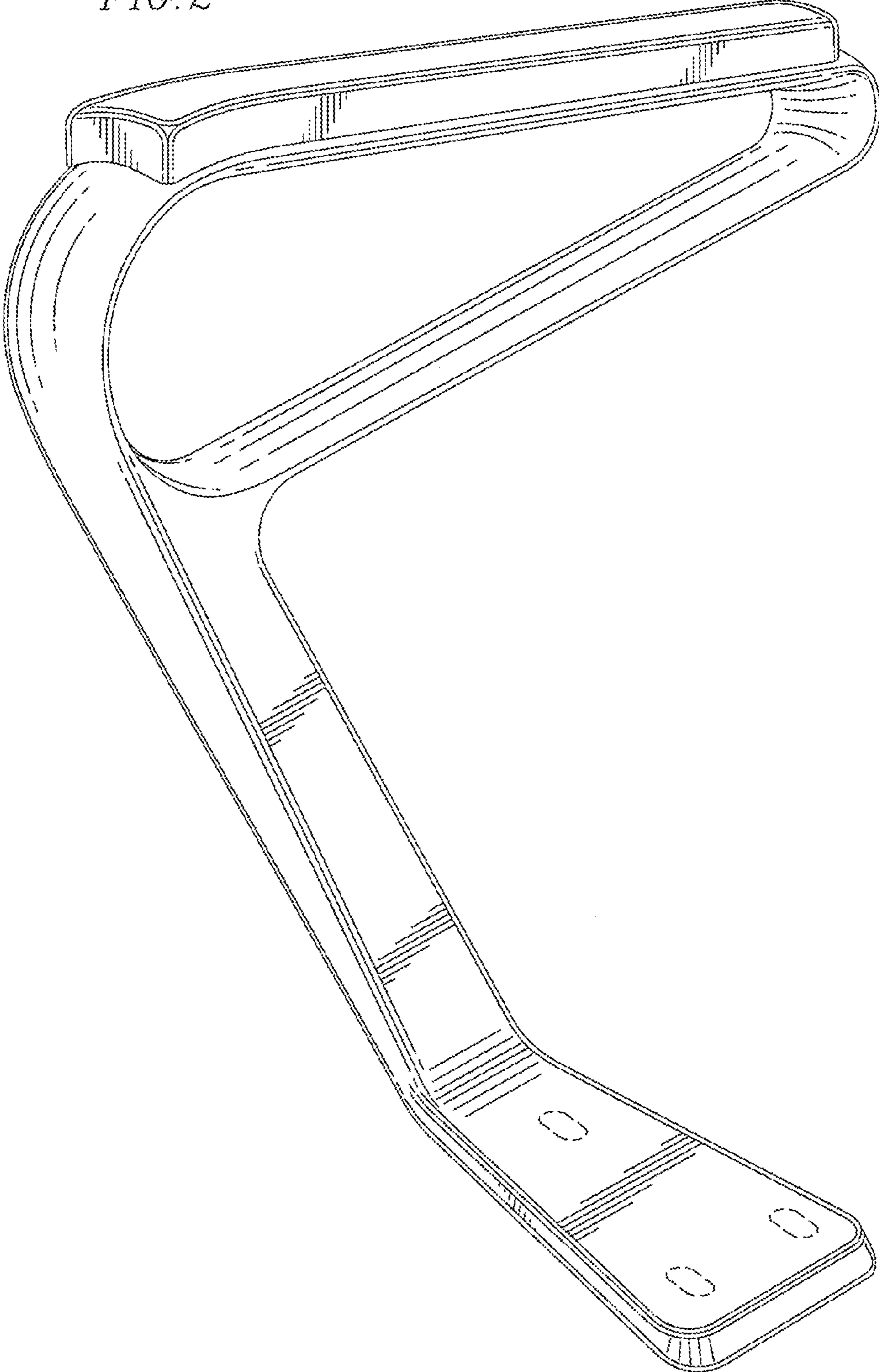


FIG. 3

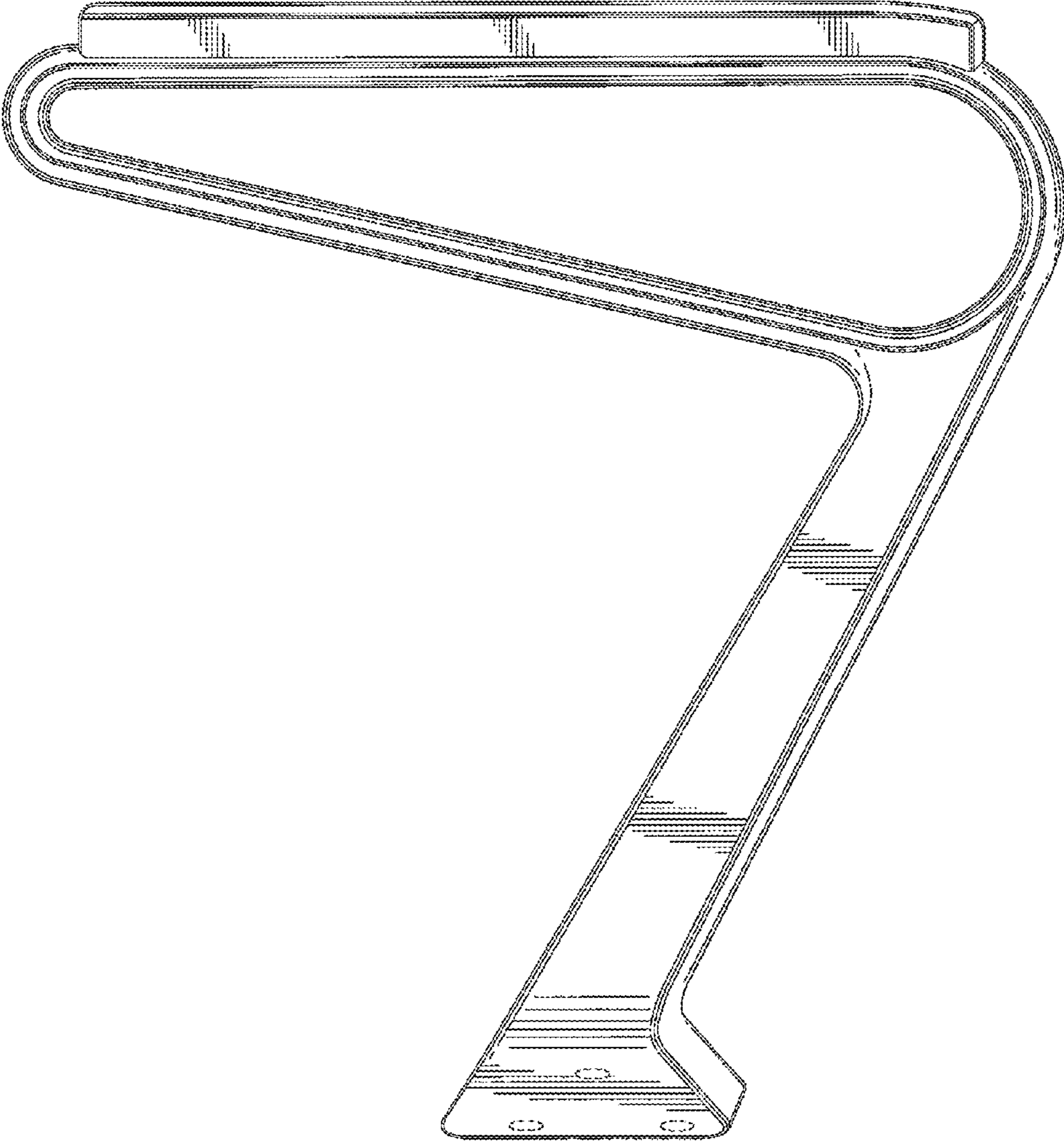


FIG. 4

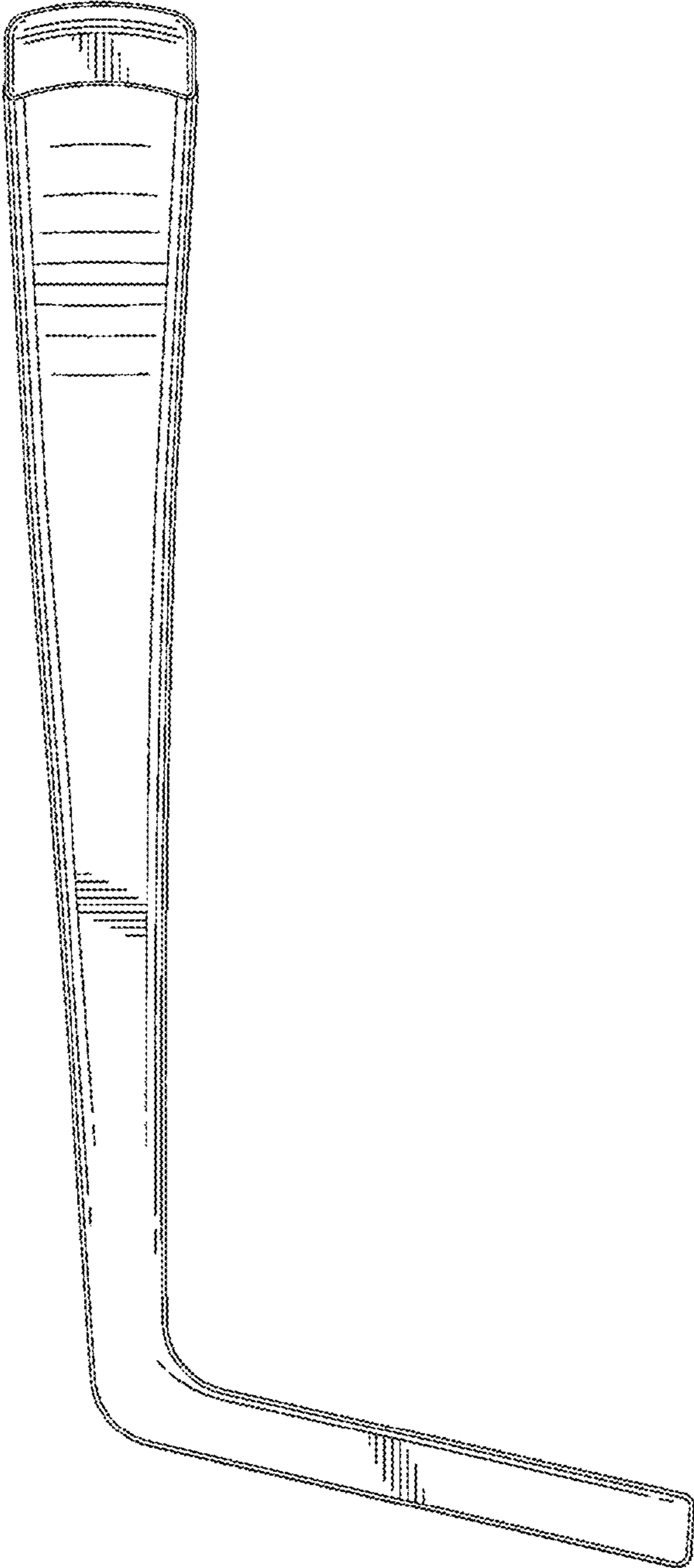
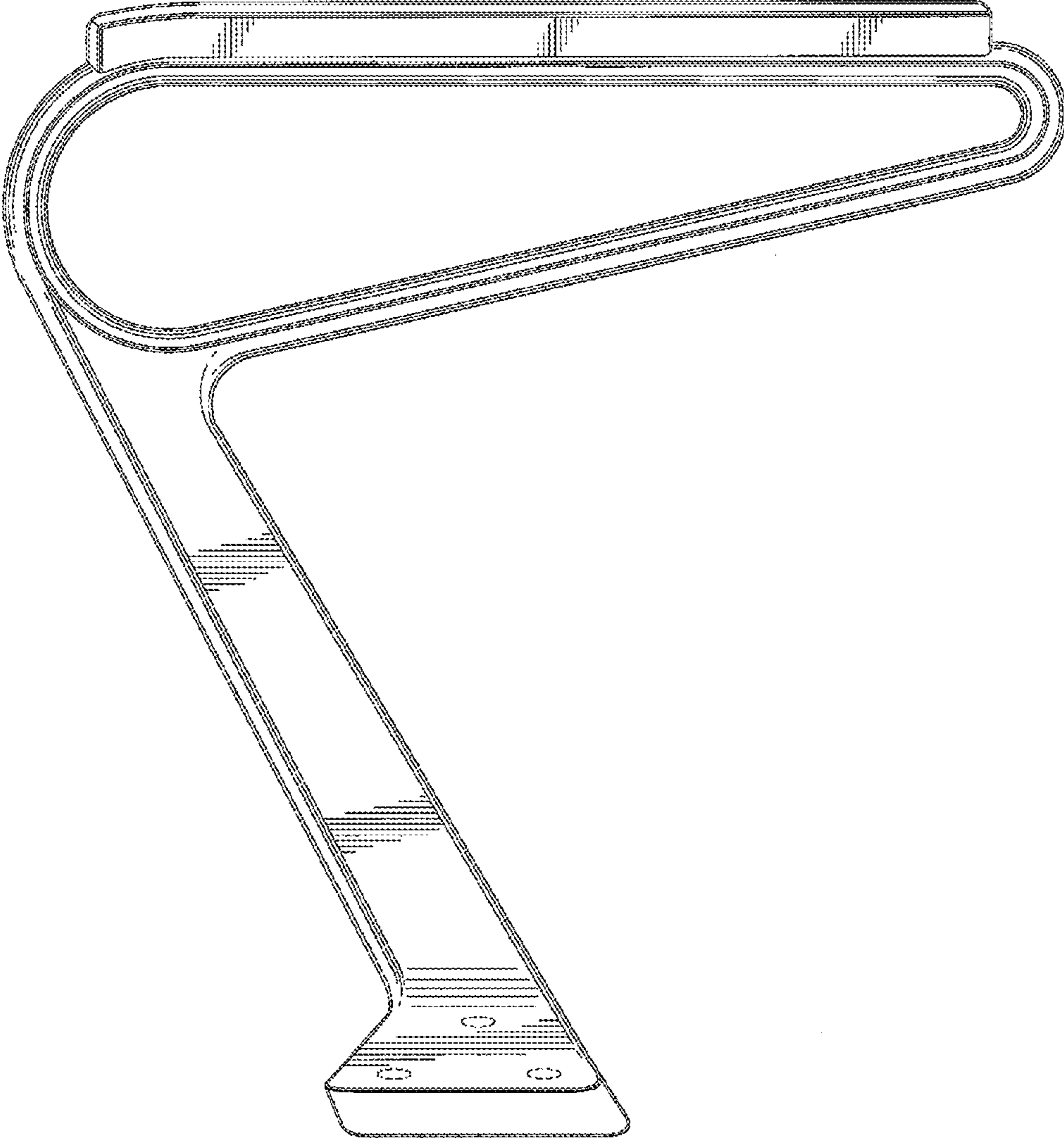


FIG. 5



*FIG. 6*

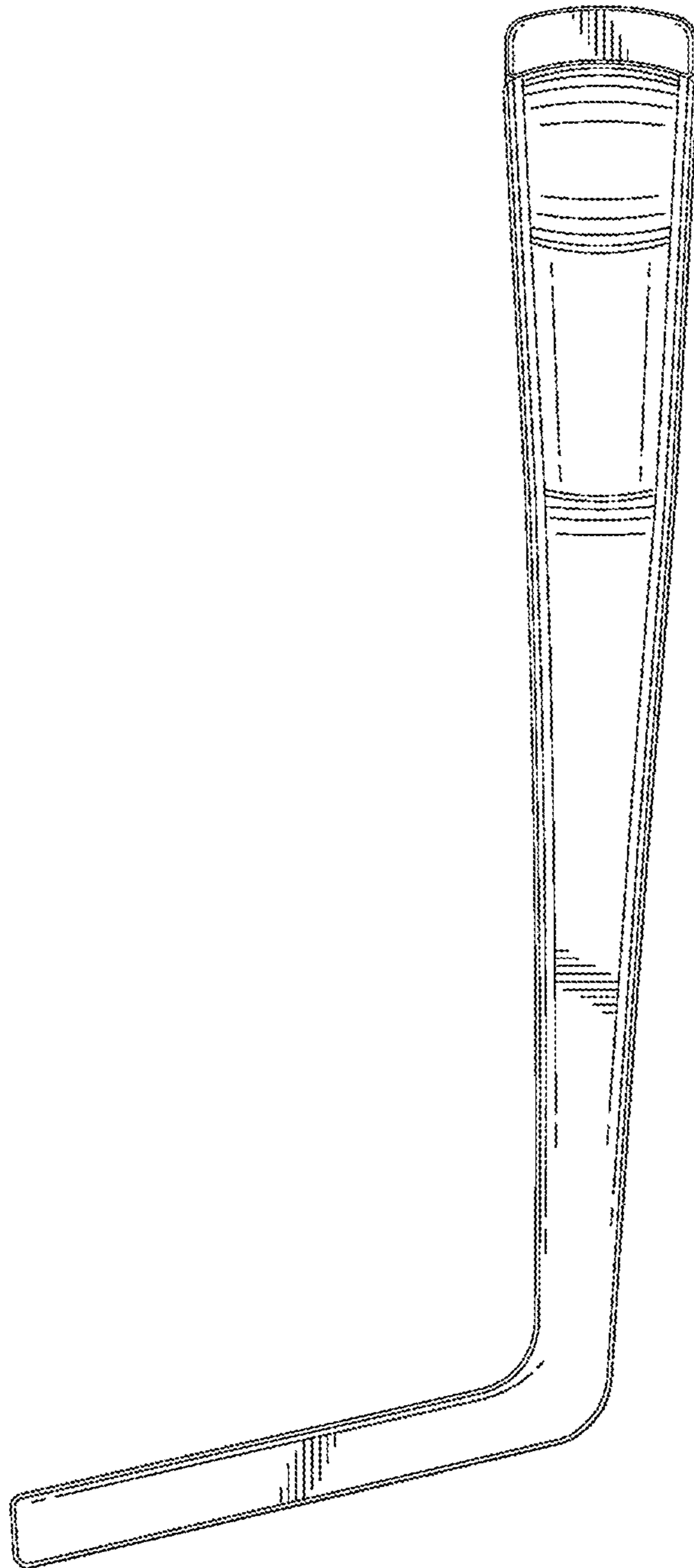


FIG. 7

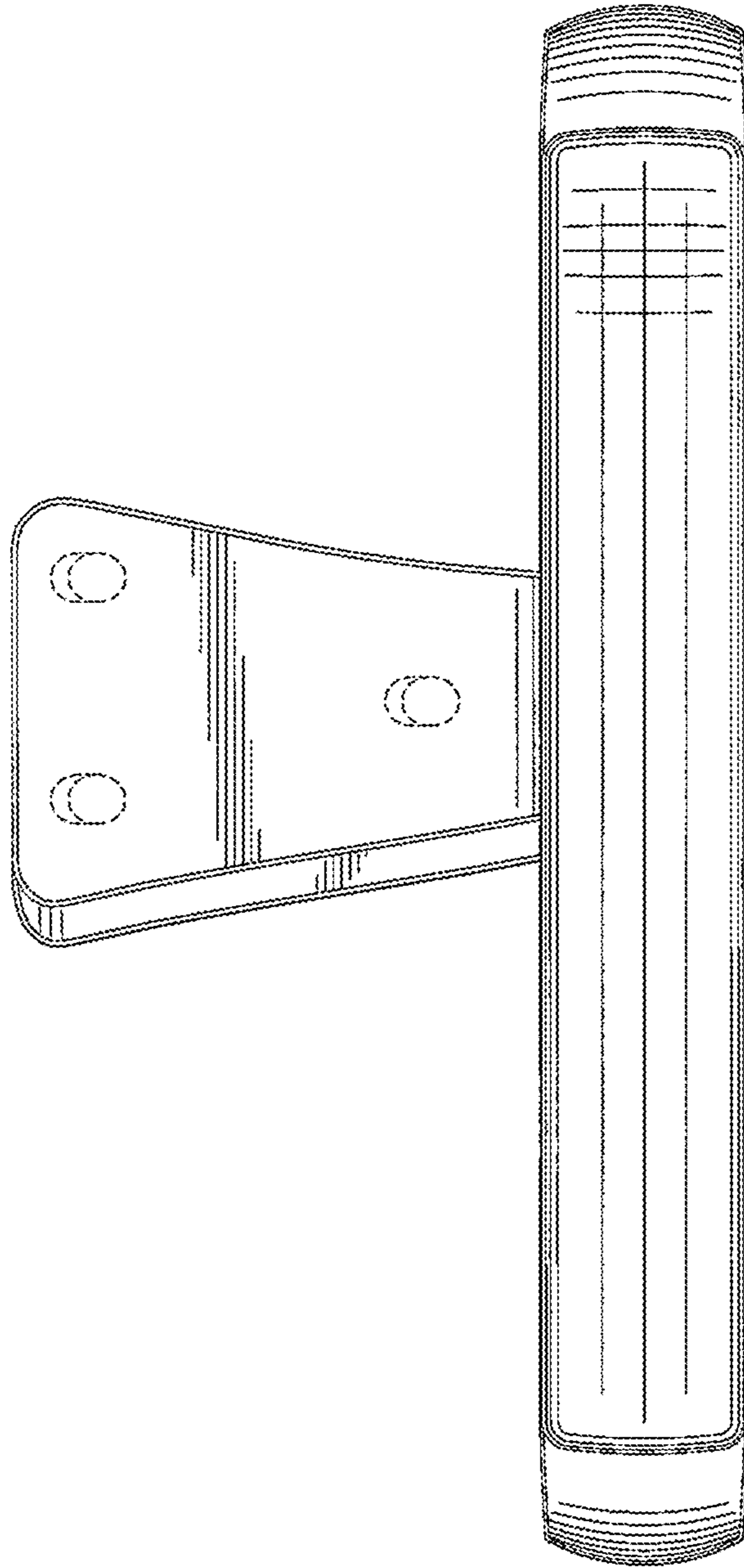




FIG. 8

