



US00D774340S

(12) **United States Design Patent** (10) **Patent No.:** **US D774,340 S**
Alvarez et al. (45) **Date of Patent:** **** Dec. 20, 2016**

(54) **TORSO BAR**

(71) Applicant: **A-dec, Inc.**, Newberg, OR (US)

(72) Inventors: **Jason Alvarez**, Portland, OR (US);
Brian E. Bonn, Portland, OR (US);
Mike Whalen, Tigard, OR (US)

(73) Assignee: **A-dec, Inc.**, Newberg, OR (US)

(**) Term: **14 Years**

(21) Appl. No.: **29/519,423**

(22) Filed: **Mar. 4, 2015**

(51) **LOC (10) Cl.** **06-01**

(52) **U.S. Cl.**
USPC **D6/716.2**

(58) **Field of Classification Search**
USPC D6/334-336, 364, 365, 366, 374, 379,
D6/380, 716, 716.1, 716.2, 716.4
CPC A47C 3/18; A47C 3/20; A61B 90/60;
A61G 15/08

See application file for complete search history.

(56) **References Cited**

U.S. PATENT DOCUMENTS

D395,173 S *	6/1998	Pate	D6/366
D439,066 S *	3/2001	Hannes	D6/366
7,540,567 B1 *	6/2009	Gambino	A47C 3/18 297/344.26
D641,562 S *	7/2011	Lee	D6/366

OTHER PUBLICATIONS

A-dec, Inc., Specialty Seating for Robust Support, <http://us.a-dec.com/en/~/media/Adec/Document%20Library/Product%20Information/Sales%20Information/Fact%20Sheets/85607200.pdf> (downloaded Jun. 4, 2015).

Belmont Equipment, Operatory Seating, Dental Seating, 2 pages (document marked 2001).
Belmont Equipment, Operatory Seating, Model 080 and Model 081, 2 pages (document marked 2007).
Belmont Equipment, Operatory Seating, Model 100 and Model 101, 2 pages (document marked 2008).
Boyd Industries, Doctor Assistant Seating, <http://www.boydindustries.com/orthodontics/doctor-assistant-seating.php> (downloaded Jun. 4, 2015).
Brewer Company, Dental Seating, 8 pages (document marked Sep. 2013).
Brewer Design, DynaCore Seating System, http://brewercompany.com/wp-content/uploads/2015/01/LIT-D-008_DynaCore-Brochure.pdf (downloaded Jun. 4, 2015).
CB Dental, Andy, 1 page (document not dated).

(Continued)

Primary Examiner — Mimoso De

(74) *Attorney, Agent, or Firm* — Klarquist Sparkman, LLP

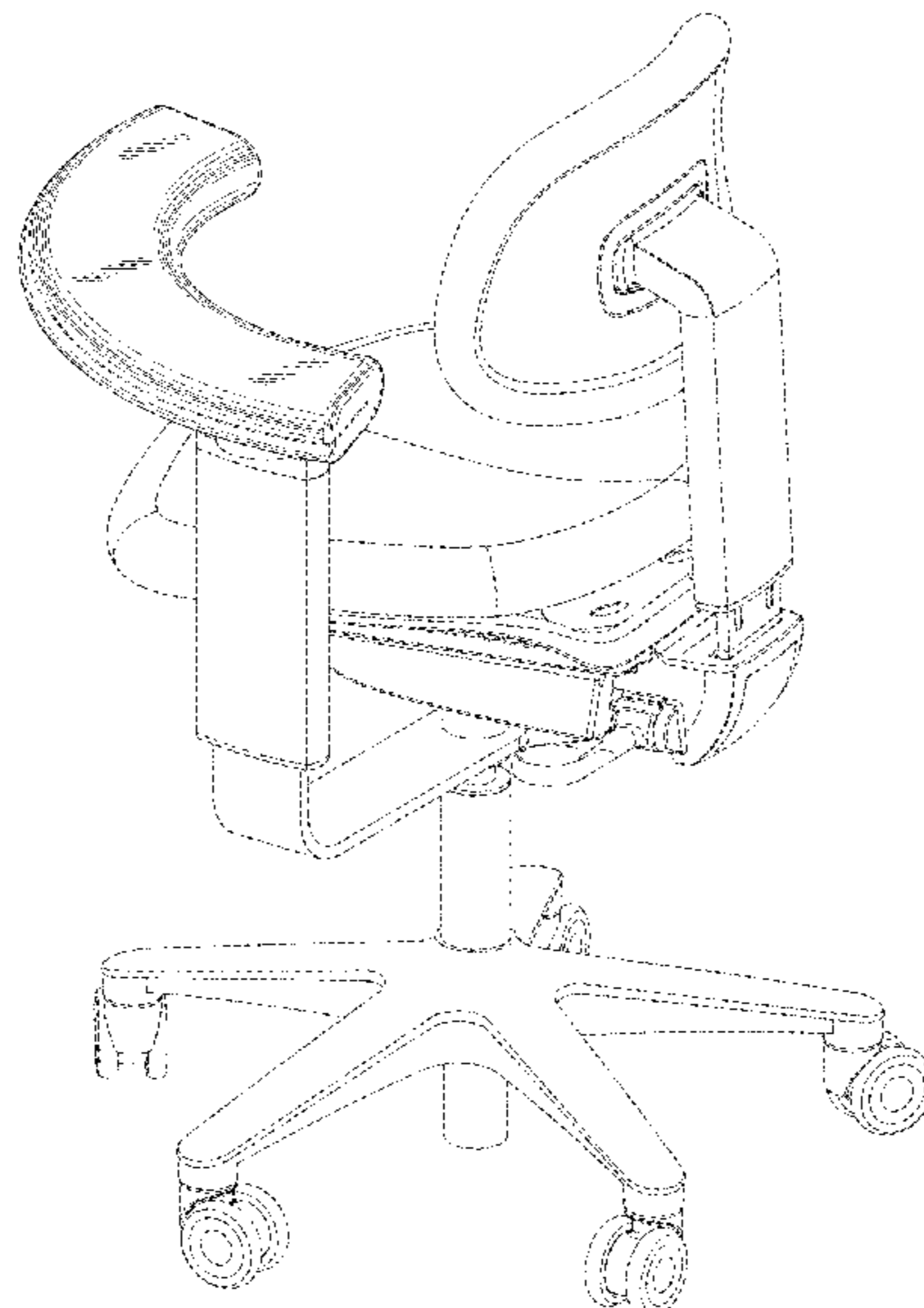
(57) **CLAIM**

We claim the ornamental design for a torso bar, as shown and described.

DESCRIPTION

FIG. 1 is a perspective view of a torso bar on a stool showing a top, a rear and portions of left and right sides.
FIG. 2 is a top plan view of the torso bar.
FIG. 3 is a right side elevational view.
FIG. 4 is a left side elevational view.
FIG. 5 is a front elevational view, the rear being a mirror image thereof; and,
FIG. 6 is a bottom plan view thereof.
The broken line showings of the mounting portion and the surface groove illustrate portions of the torso bar that form no part of the claimed design. The broken line showing of a portion of the stool illustrates the environment of the claimed design and forms no part thereof.

1 Claim, 2 Drawing Sheets



(56)

References Cited

OTHER PUBLICATIONS

Crown Seating, Arm Brochure, <https://nebula.wsimg.com/dfc8232417bfa3886dbe6b4311286776?AccessKeyId=AA76679BD814093F0D09&disposition=0&alloworigin=1> (downloaded Jun. 4, 2015).

Crown Seating, The napa line of Dental Stools, <https://nebula.wsimg.com/acd9fba7f7aa3e8a18d3c9db2cf5d13c?AccessKeyId=AA76679BD814093F0D09&disposition=0&alloworigin=1> (downloaded Jun. 4, 2015).

DentalEZ Group, ErgoSure™ Stools, http://www.dentalez.com/downloads/product-literature/cat_view/71-downloads/49-product-literature/87-dentalez-equipment (downloaded Jun. 4, 2015).

DentalEZ Group, ErgoSure™ Stools Manual, <http://www.dentalez.com/products/dentalez/dental-stools/ergosure-stools/63-ergosure-stools-product-literature-photographs-manuals> (downloaded Jun. 4, 2015).

Fedesa, Astral Stool, http://www.fedesa.com/en/tab/tab_1.php (downloaded on Jun. 4, 2015).

Forest Dental, Doctor's Deluxe 6126C, <http://catalog.forestdental.com/chairs-stools/stools> (downloaded Jun. 4, 2015).

Marus, Dental Stools, <http://marus.com/dental-chairs/stools/> (downloaded Jun. 4, 2015).

Midmark, Seating, <http://www.midmark.com/docs/default-source/marketing-collateral/007-0715-00.pdf?sfyrsn=2> (downloaded Jun. 4, 2015).

Pelton & Crane, Spirit Chairs, 5 pages (document marked May 2012).

Pelton & Crane, Stools, 1 page (document not dated).

Planmeca, Dental Stools, 2 pages (document not dated).

RGP Inc, Dental, <http://rgpdental.com/dental> (downloaded Jun. 4, 2015).

Royal Dental Group, A2160 Assistant Stool, <http://www.royaldentalgroup.com/pdfs/A2160.pdf> (downloaded Jun. 4, 2015).

Royal Dental Group, D2120 Assistant Stool, <http://www.royaldentalgroup.com/pdfs/D2120.pdf> (downloaded Jun. 4, 2015).

Royal Dental Group, RA2 Assistant Stool, <http://www.royaldentalgroup.com/pdfs/RA2.pdf> (downloaded Jun. 4, 2015).

Royal Dental Group, RA24 Assistant Stool, <http://www.royaldentalgroup.com/pdfs/RA24.pdf> (downloaded Jun. 4, 2015).

Salli, Surgeon, http://www.salli.com/print.asp?siteid=en&id=Salli_Surgeon_2 (downloaded Dec. 10, 2014).

Scandex LLC, Classic, Series 400 w/ Relax-style arm supports, <http://www.scandex.us/bjorn/default.aspx> (downloaded Jun. 4, 2015).

Scandex LLC, Unisex, Series 600 w/ Dual Swing-arm Support SAD12, <http://www.scandex.us/bjorn/default.aspx> (downloaded Jun. 4, 2015).

Sirona, Carl—The All-Around Seat, <http://www.sirona.com/en/products/treatment-centers/carl/?tab=390> (downloaded Jun. 4, 2015).

Summit Dental Systems, Compare Products, Stool, http://www.summitdental.com/compare-products-view?type_1=stool (downloaded Jun. 4, 2015).

Tecnodent, Egg & Sting, <http://www.tecnodent.com/nuovo/wp-content/uploads/2014/07/Catalogo-Egg-Sting-ENG-Copia-3.pdf> (downloaded Jun. 4, 2015).

Tecnodent, Ergo Line, <http://www.tecnodent.com/nuovo/wp-content/uploads/2014/07/Catalogo-Ergo-ENG-Copia-21.pdf> (downloaded Jun. 4, 2015).

Tecnodent, Gel Line, <http://www.tecnodent.com/nuovo/wp-content/uploads/2014/07/Catalogo-Pluto-Venus-EN.pdf> (downloaded Jun. 4, 2015).

Vitali, Estro, 2 pages (document not dated).

* cited by examiner

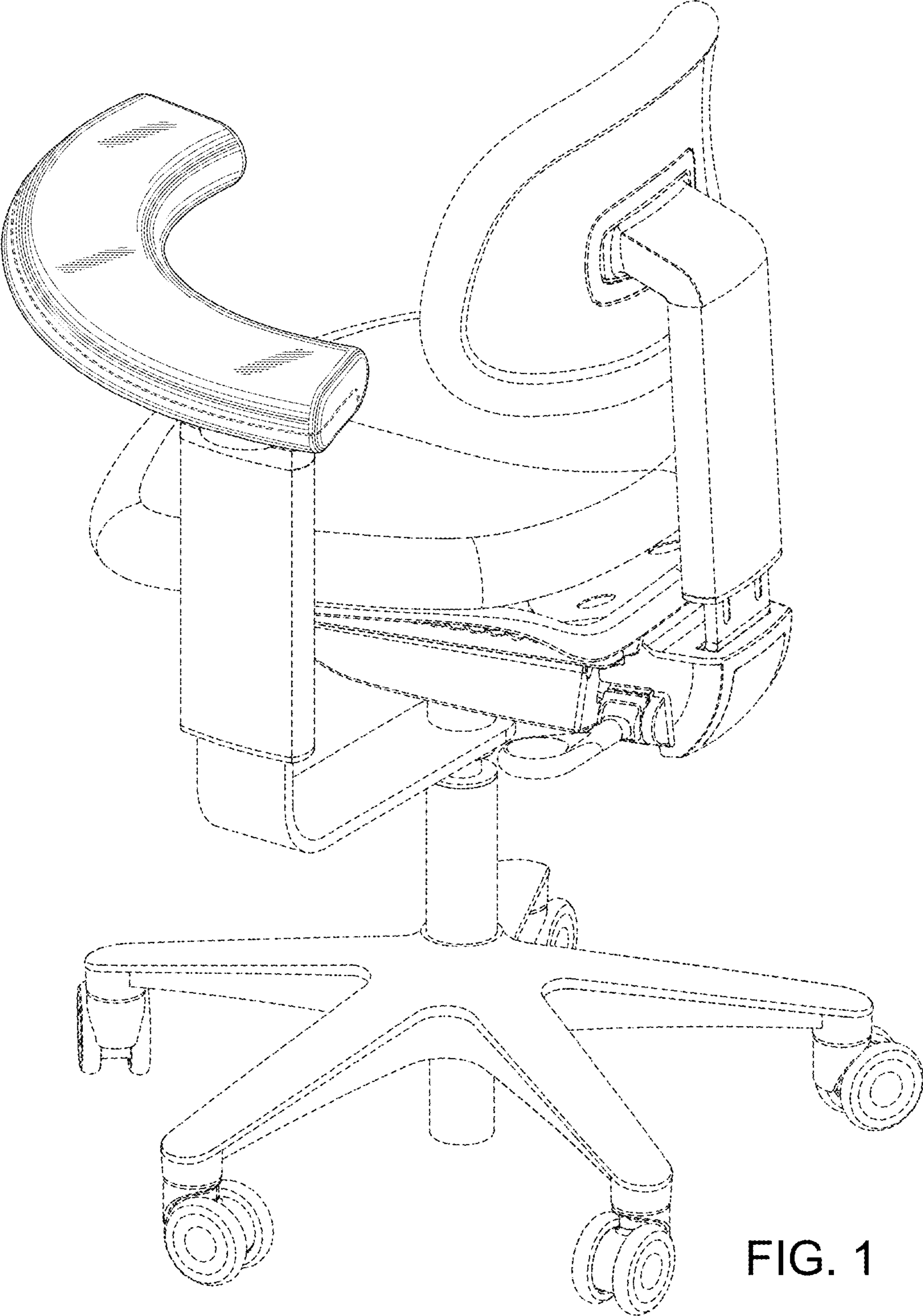


FIG. 1

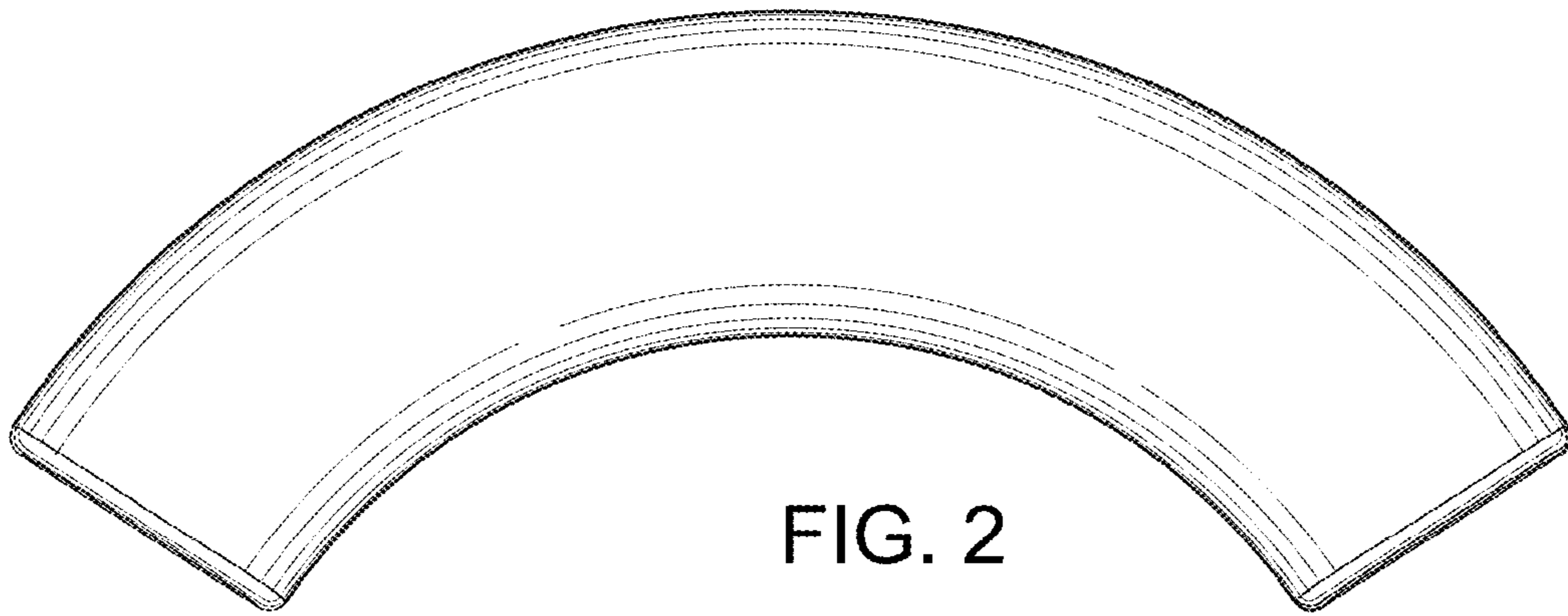


FIG. 2

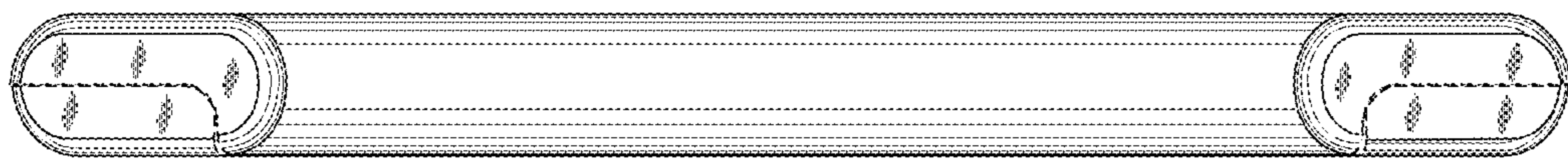


FIG. 3

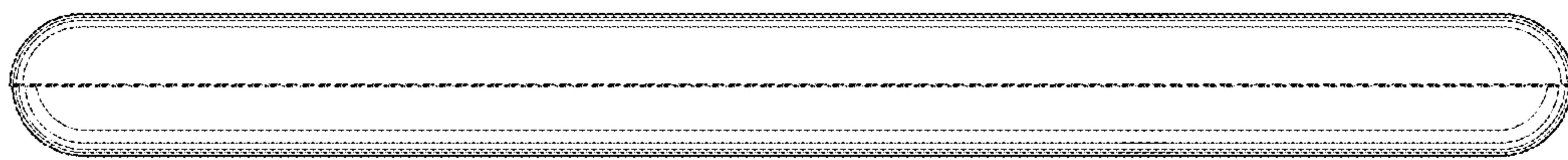


FIG. 4

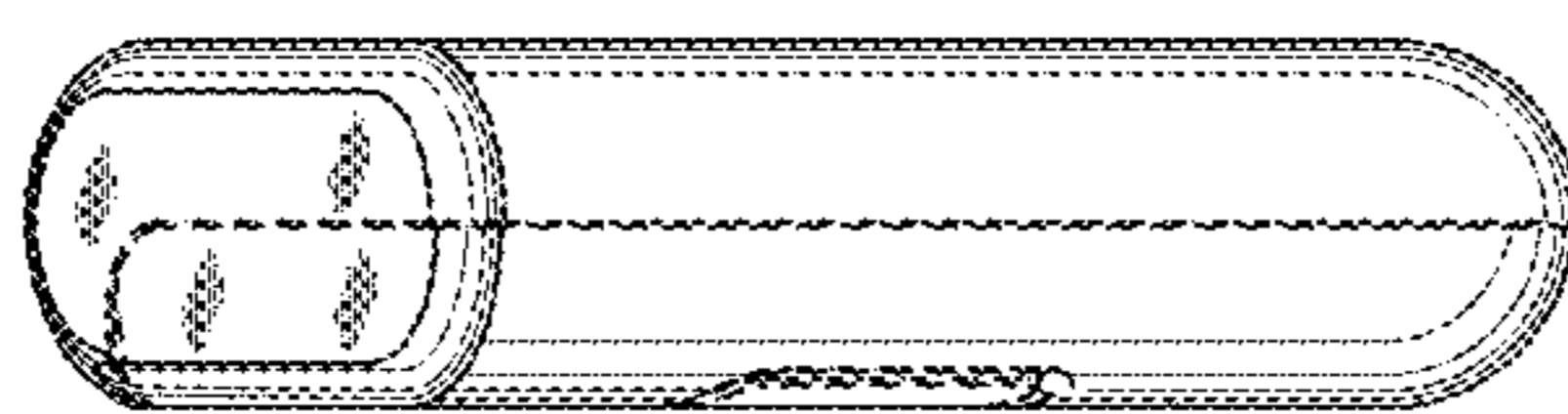


FIG. 5

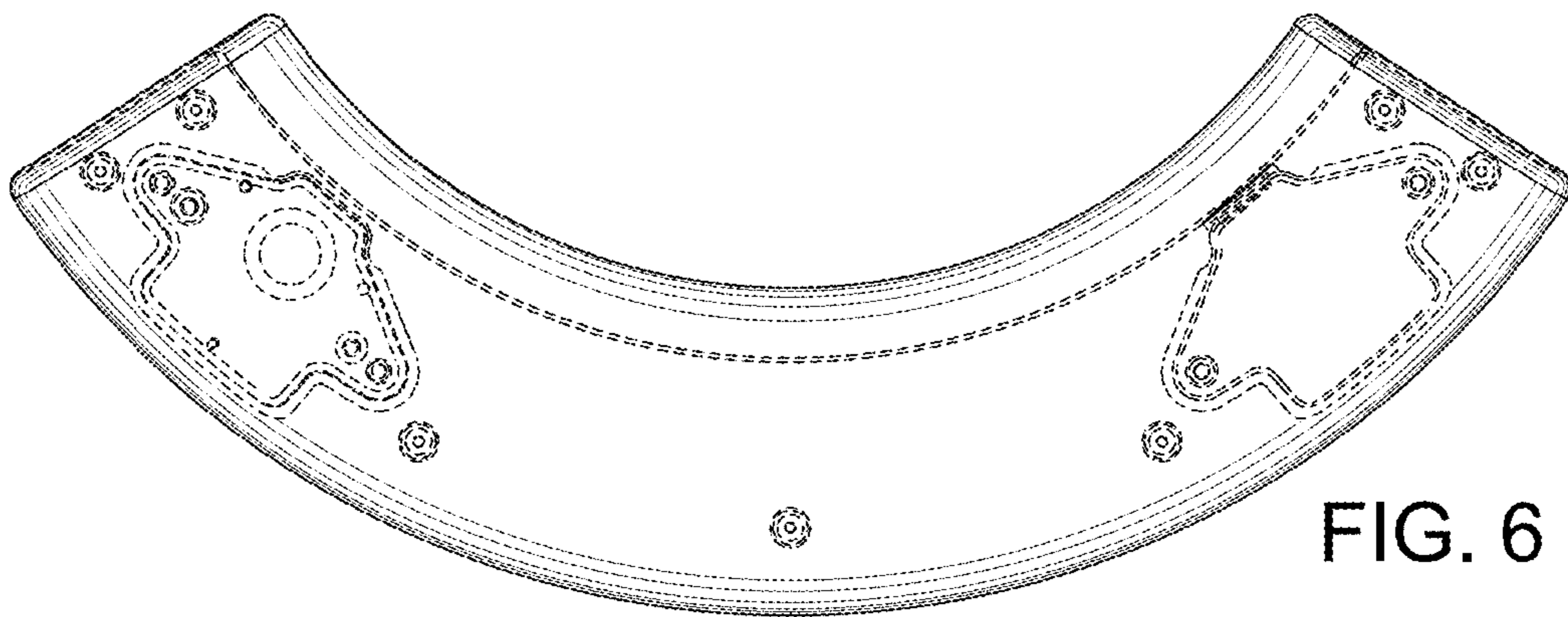


FIG. 6