



US00D774338S

(12) **United States Design Patent** (10) **Patent No.:** **US D774,338 S**
Légaré (45) **Date of Patent:** **** Dec. 20, 2016**

(54) **TABLE TOP**
(71) Applicant: **TABLES MODULAIRES POSITIONNELLES 2008 INC.,** Drummondville (CA)
(72) Inventor: **Marc-Antoine Légaré,** Drummondville (CA)
(73) Assignee: **TABLES MODULAIRES POSITIONNELLES 2008 INC.,** Drummondville (CA)

D286,353 S * 10/1986 Robolin D6/641
5,438,937 A * 8/1995 Ball A47B 87/002
108/64
D548,493 S 8/2007 Diekman
D569,142 S * 5/2008 Burak D6/707.22
D728,981 S * 5/2015 Legare D6/707.15
D736,021 S * 8/2015 Legare D6/707.15
D745,797 S * 12/2015 Legare D6/707.22
D745,798 S * 12/2015 Legare D6/707.22
2006/0180055 A1 8/2006 Mulmed

FOREIGN PATENT DOCUMENTS

CA 157609 9/2014

(**) Term: **14 Years**

OTHER PUBLICATIONS

(21) Appl. No.: **29/499,665**

Tables Modulaires Positionnelles Inc., 2013 Catalogue, pp. 1, 2, 4, 6, 14 et 15, 1990 models.

(22) Filed: **Aug. 18, 2014**

(51) **LOC (10) Cl.** **06-06**

* cited by examiner

(52) **U.S. Cl.**
USPC **D6/707.22; D6/707.15**

Primary Examiner — Mary Ann Calabrese

(58) **Field of Classification Search**
USPC D6/685, 691.1, 696, 697, 707.15, D6/707.18, 707.22
CPC A47B 7/00; A47B 13/00; A47B 13/003; A47B 13/08; A47B 13/088; A47B 13/10; A47B 13/081; A47B 9/00; A47B 2009/006; A47B 11/00; A47B 87/002; A47B 2087/004; A47B 2200/003; A47B 2200/0039

(74) *Attorney, Agent, or Firm* — Gwendoline Bruneau

See application file for complete search history.

(57) **CLAIM**

The ornamental design for a table top, as shown and described.

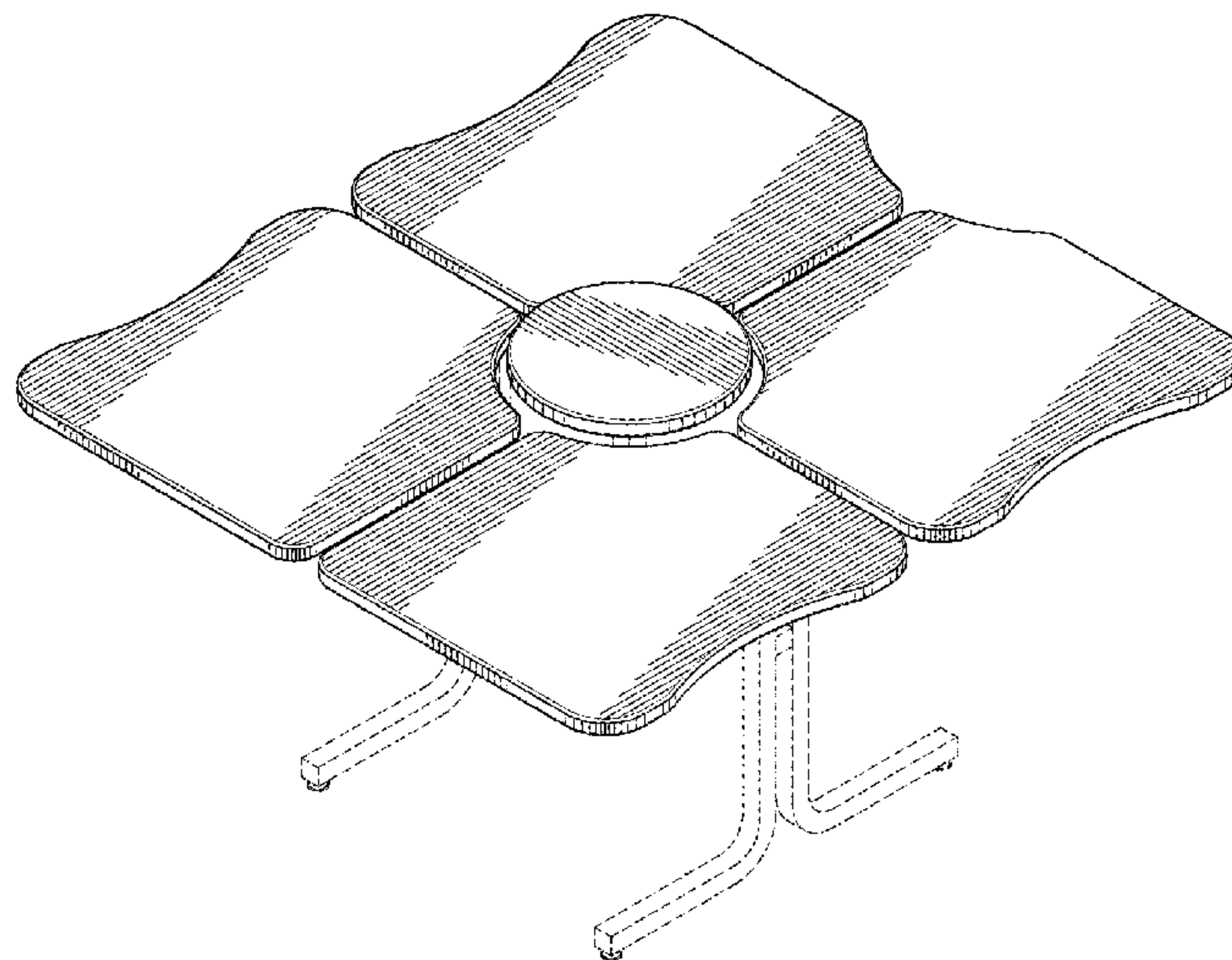
DESCRIPTION

FIG. 1 is a perspective view of the table top; FIG. 2 is a top view of the table top of FIG. 1; FIG. 3 is a first side view of the table top of FIG. 1; FIG. 4 is second side view of the table top of FIG. 1; FIG. 5 is third side view of the table top of FIG. 1; and, FIG. 6 is a bottom view of the table top of FIG. 1. The broken lines represent environment and form no part of the claimed design.

(56) **References Cited**
U.S. PATENT DOCUMENTS

3,437,390 A * 4/1969 Evans A47B 11/00
108/64
D227,966 S * 7/1973 Duern D6/696
D280,368 S * 9/1985 Crespi D6/696.1

1 Claim, 5 Drawing Sheets



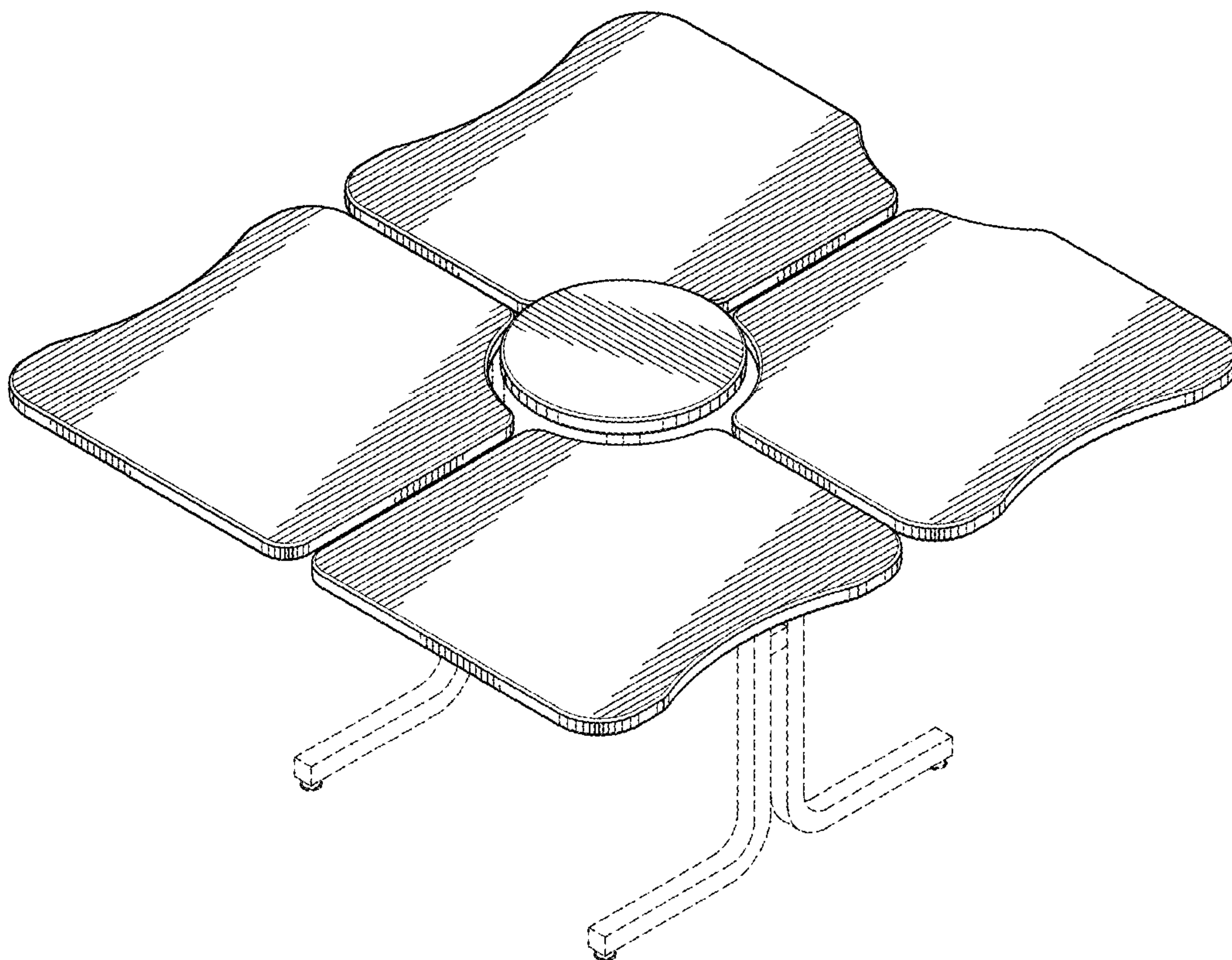


FIG. 1

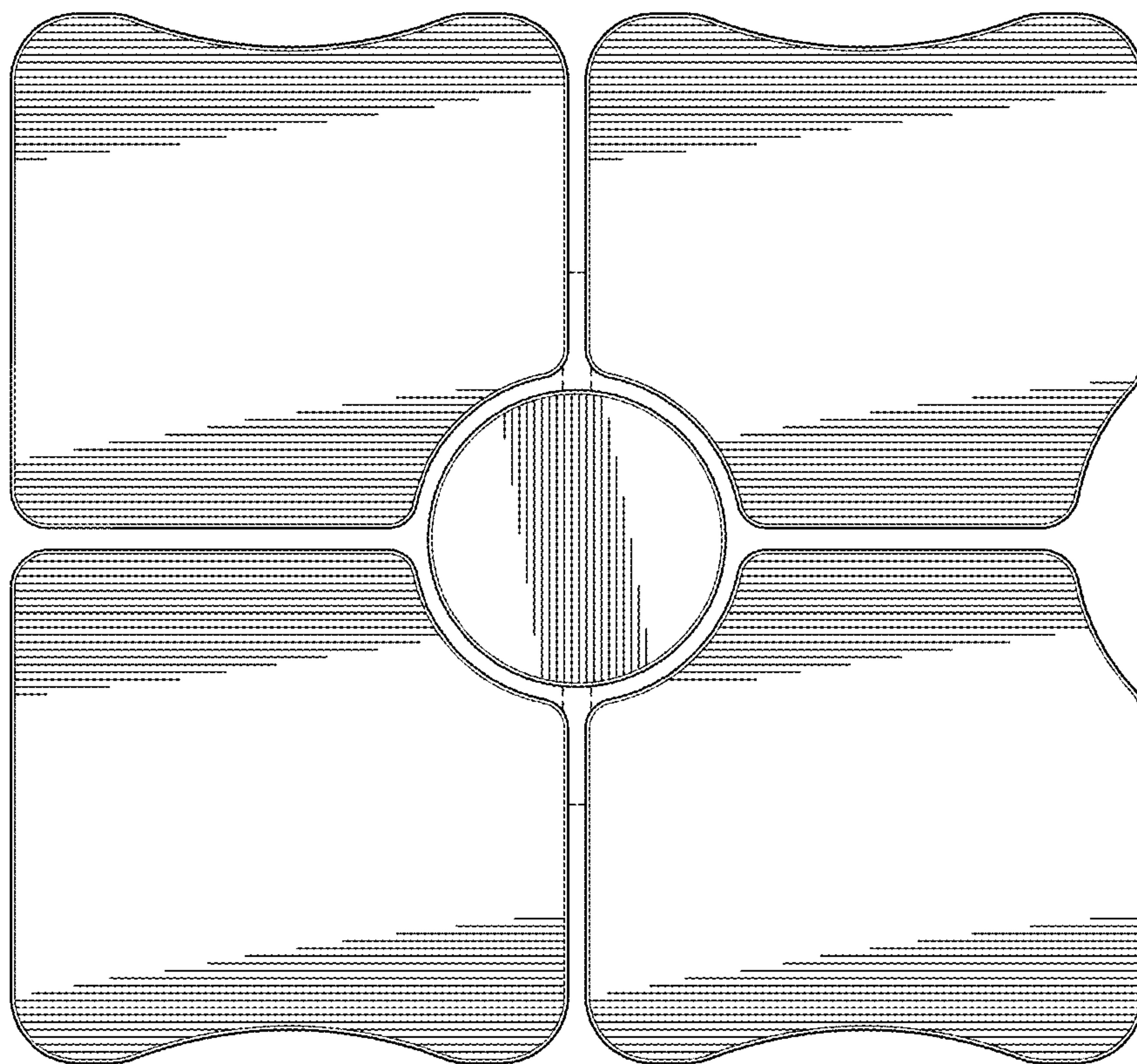


FIG. 2

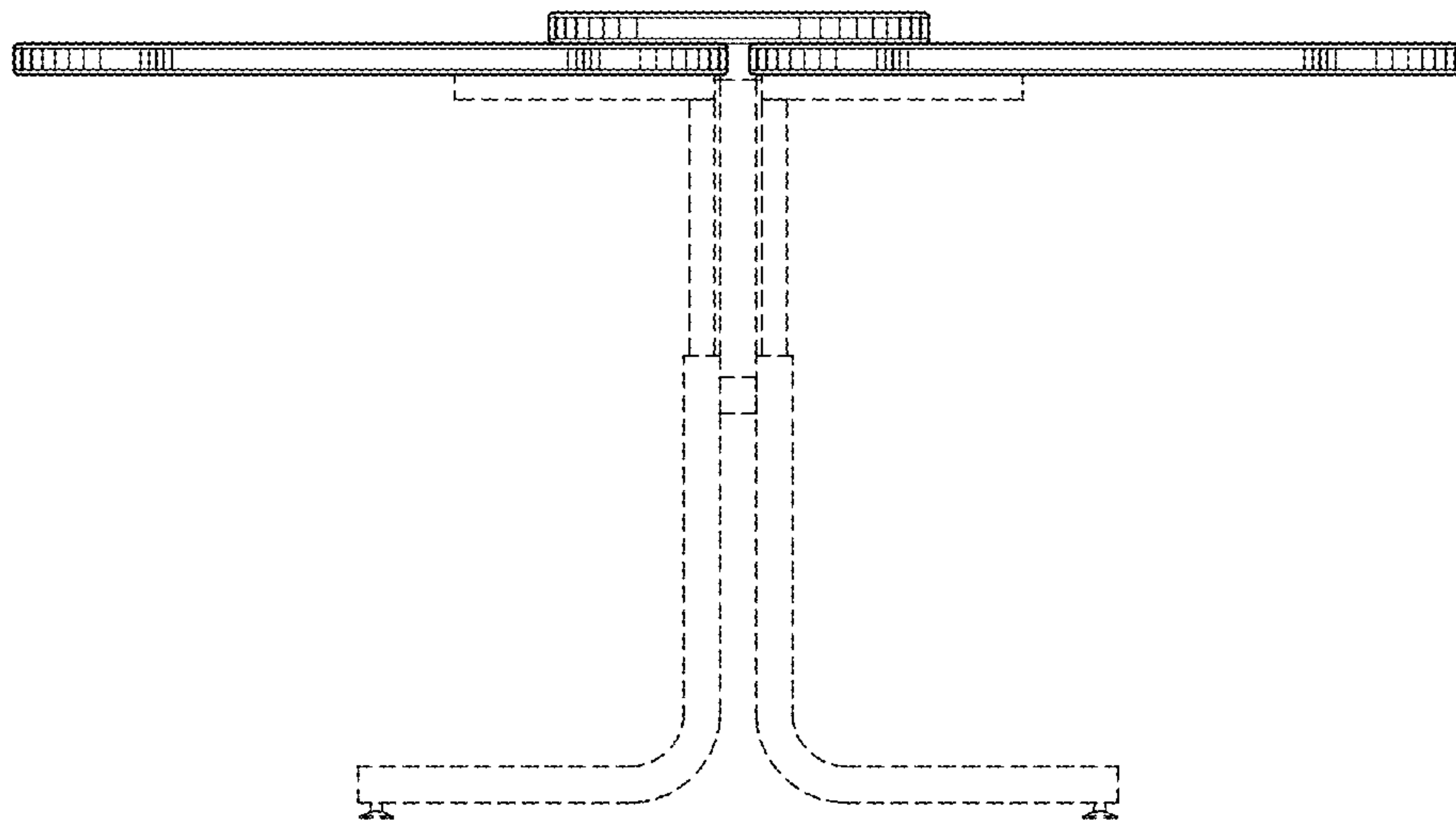


FIG. 3

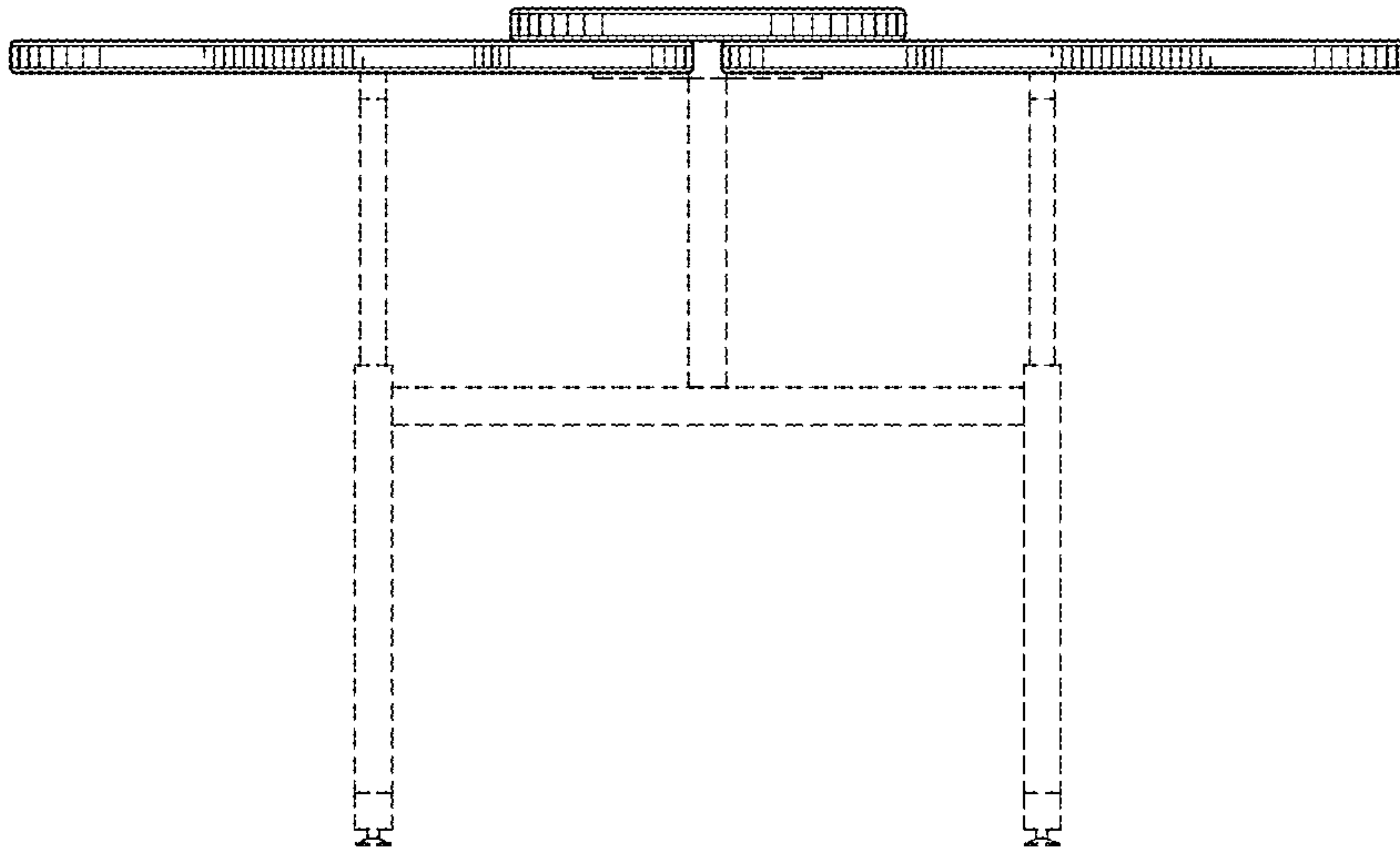


FIG. 4

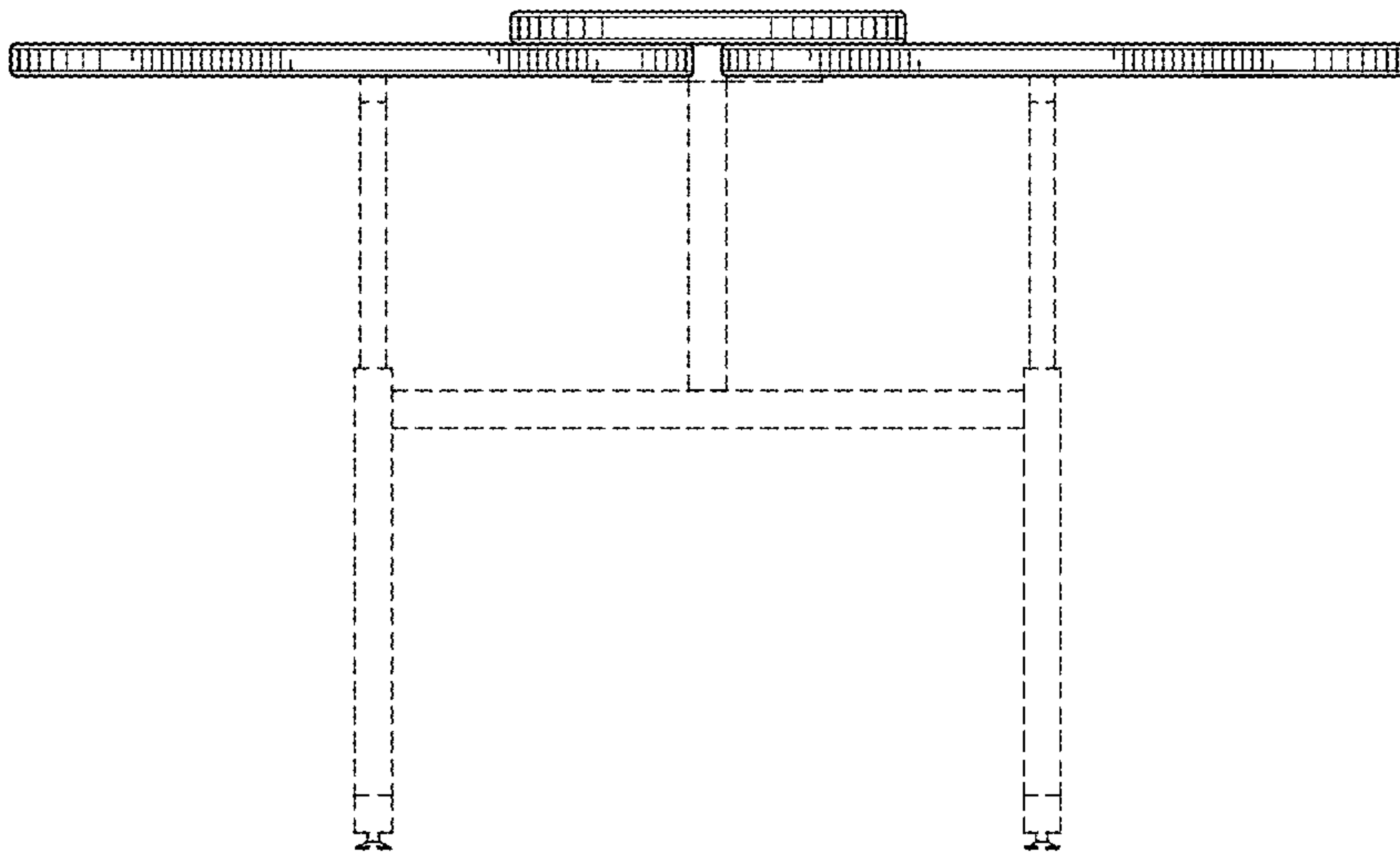


FIG. 5

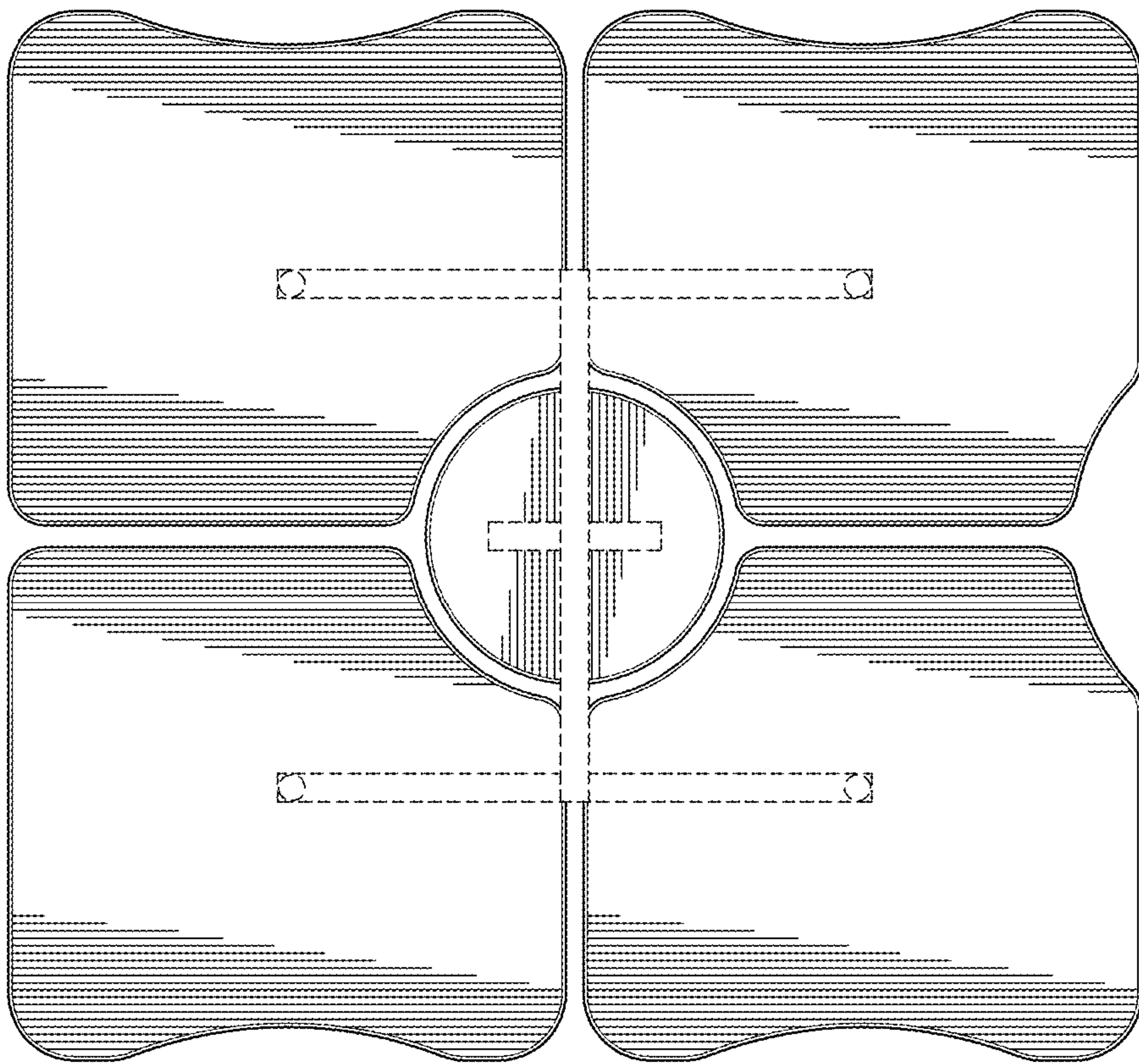


FIG. 6