



US00D774335S

(12) **United States Design Patent** (10) **Patent No.:** **US D774,335 S**  
**Lawrence** (45) **Date of Patent:** **\*\* Dec. 20, 2016**

(54) **MODULAR PLATFORM STRUCTURE**

(71) Applicant: **Steven P. Lawrence**, Sheboygan, WI (US)

(72) Inventor: **Steven P. Lawrence**, Sheboygan, WI (US)

(\*\*) Term: **14 Years**

(21) Appl. No.: **29/504,384**

(22) Filed: **Oct. 6, 2014**

(51) **LOC (10) Cl.** ..... **06-03**

(52) **U.S. Cl.**  
USPC ..... **D6/698**

(58) **Field of Classification Search**  
USPC ..... D6/641, 642, 644, 656, 656.1, 656.17, D6/684, 698; 108/153.1, 155, 157.1, 156, 108/161, 150; 248/188, 188.1; 144/286.1, 144/287  
CPC ..... A47B 3/12; A47B 13/021; A47B 13/06; A47B 13/08; A47B 13/023; B25H 1/04; B23D 47/025  
See application file for complete search history.

D372,602 S \* 8/1996 Richardson ..... D6/691.8  
D394,761 S \* 6/1998 Bird ..... D6/656  
D399,375 S \* 10/1998 De Blaay ..... D6/691.1  
D433,849 S \* 11/2000 Walters, III ..... D6/691  
D503,570 S \* 4/2005 Anderson ..... D6/349  
D535,116 S \* 1/2007 Maitland-Smith ..... D6/642  
D536,551 S \* 2/2007 Domack ..... D6/642

(Continued)

*Primary Examiner* — John Windmuller  
*Assistant Examiner* — Steven Czyz  
(74) *Attorney, Agent, or Firm* — Mandy T. Garrels; Ceres Patent Technology, LLC

(57) **CLAIM**

The ornamental design for a modular platform structure, as shown and described.

**DESCRIPTION**

A portion of the disclosure of this patent document contains material that is subject to copyright protection. The copyright owner has no objection to the facsimile reproduction by anyone of the patent document or patent disclosure as it appears in the Patent and Trademark office, patent file or records, but otherwise reserves all copyright rights whatsoever.

FIG. 1 is a top perspective view of a modular platform structure.

FIG. 2 is a bottom perspective view thereof;

FIG. 3 is an exploded top perspective view thereof;

FIG. 4 is a top plan view thereof;

FIG. 5 is a bottom plan view thereof;

FIG. 6 is a front view thereof; and,

FIG. 7 is a side view thereof.

The broken line showing of the table top in FIG. 1 is included for the purpose of illustrating environmental structure and forms no part of claimed design;

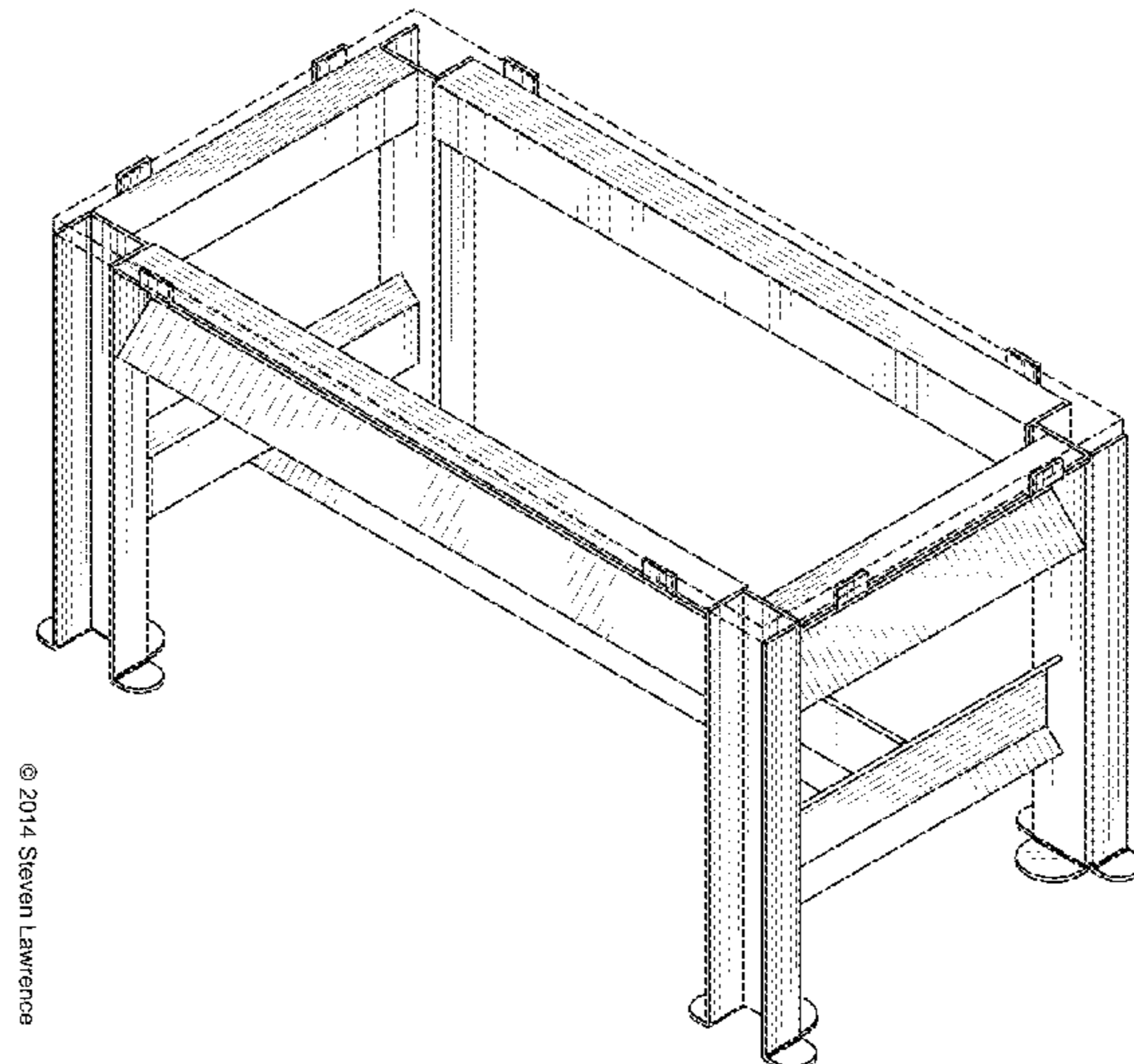
The modular platform structure of the claimed design is a trademark of SSL Industries, Inc.

**1 Claim, 5 Drawing Sheets**

(56) **References Cited**

U.S. PATENT DOCUMENTS

2,972,506 A \* 2/1961 Haag ..... A47B 85/06  
108/101  
3,580,652 A \* 5/1971 Nielsen ..... A47B 21/03  
312/196  
D228,107 S \* 8/1973 Klotz et al. .... D6/691.6  
D237,930 S \* 12/1975 Demmer et al. .... D6/684  
4,341,164 A \* 7/1982 Johnson ..... A47B 3/10  
108/115  
D270,317 S \* 8/1983 Fleming ..... D6/691  
D273,739 S \* 5/1984 Shapiro ..... D6/684  
D296,053 S \* 6/1988 Barber ..... D6/655.21  
D346,709 S \* 5/1994 Nagao ..... D6/684  
D371,260 S \* 7/1996 Walters, III ..... D6/691.1  
D372,135 S \* 7/1996 Lee ..... D6/684



© 2014 Steven Lawrence

(56)

**References Cited**

U.S. PATENT DOCUMENTS

D584,073	S	*	1/2009	Mohundro	.....	D6/642
D593,780	S	*	6/2009	Jeup	.....	D6/708
D669,706	S	*	10/2012	Zambelli	.....	D6/662.1
D669,707	S	*	10/2012	Zambelli	.....	D6/662.1
D670,105	S	*	11/2012	Jespersen	.....	D6/691
D730,085	S	*	5/2015	Liu	.....	D6/642
D756,693	S	*	5/2016	Shah	.....	D6/684
D757,464	S	*	5/2016	Chiang	.....	D6/642
2015/0320199	A1	*	11/2015	Lawrence	.....	A61B 50/10 248/188.1

\* cited by examiner

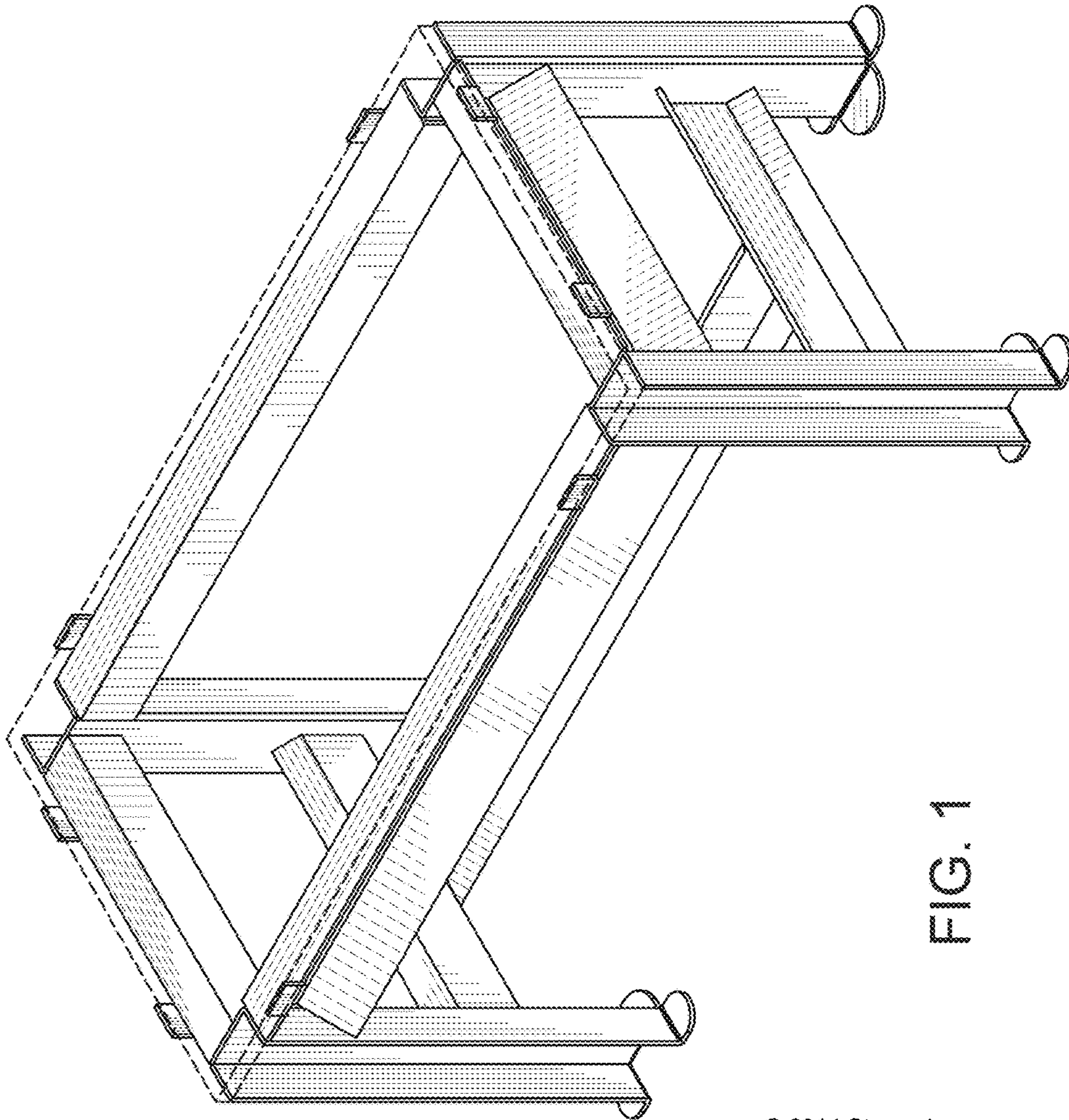


FIG. 1

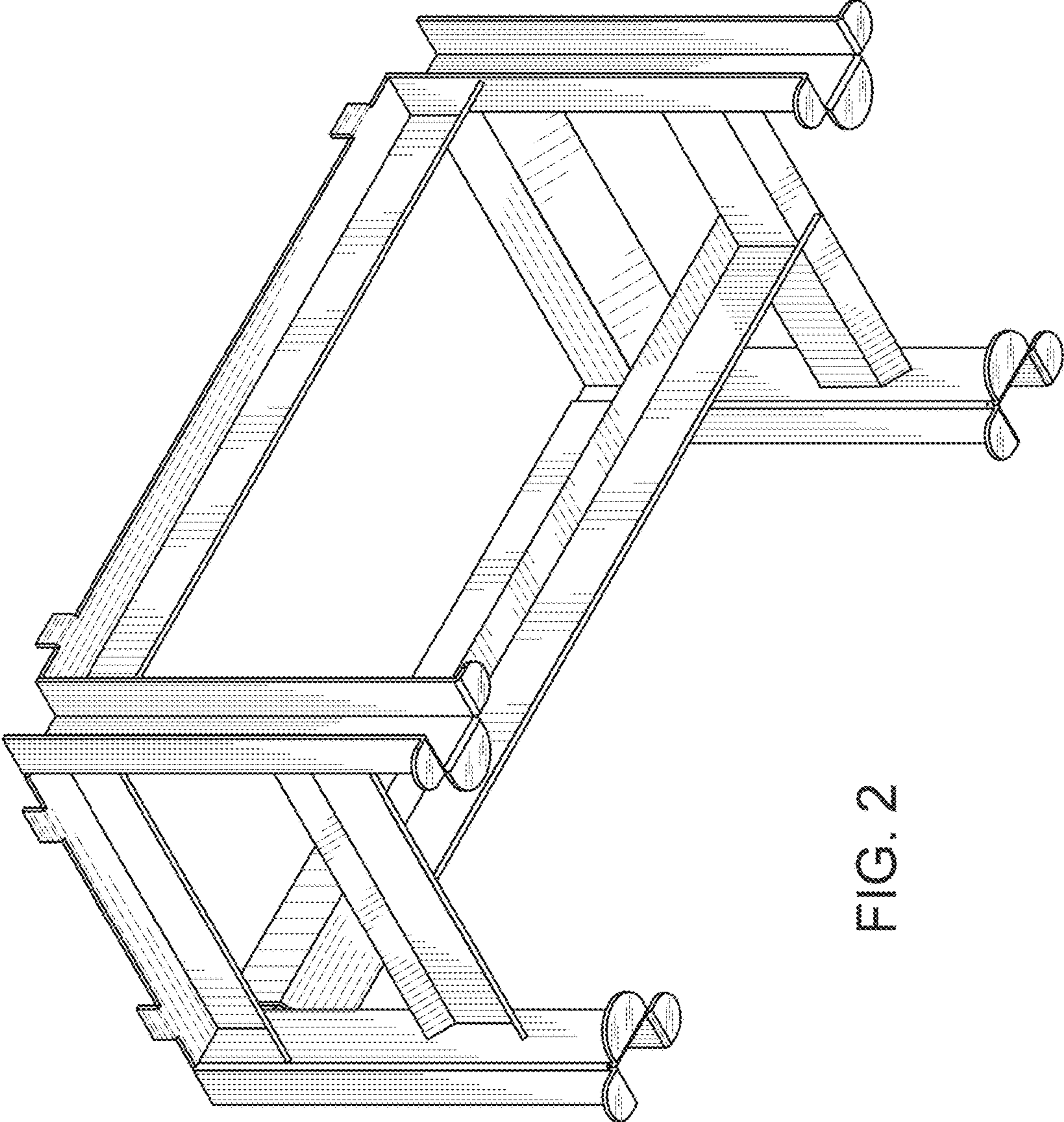


FIG. 2

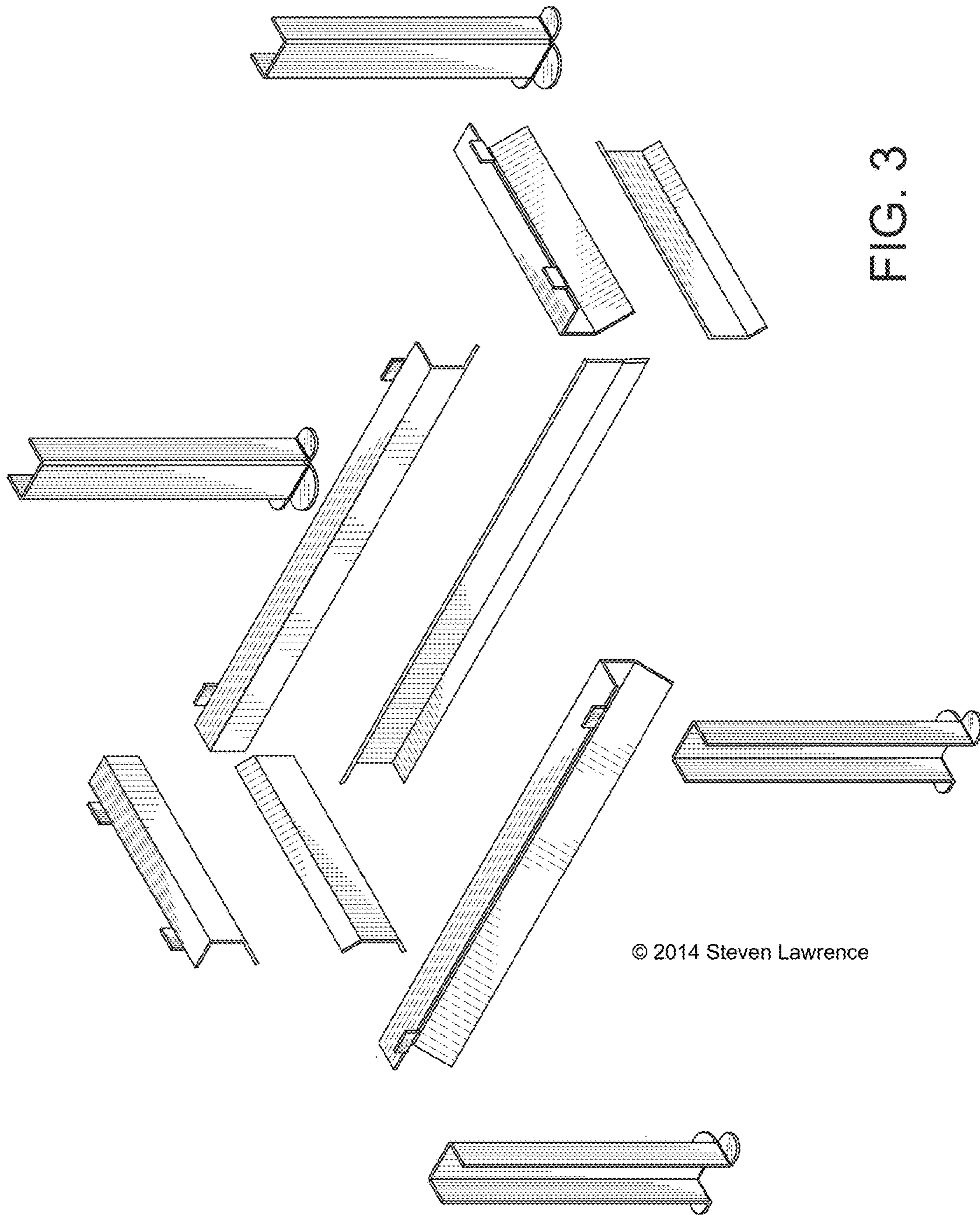


FIG. 3

© 2014 Steven Lawrence

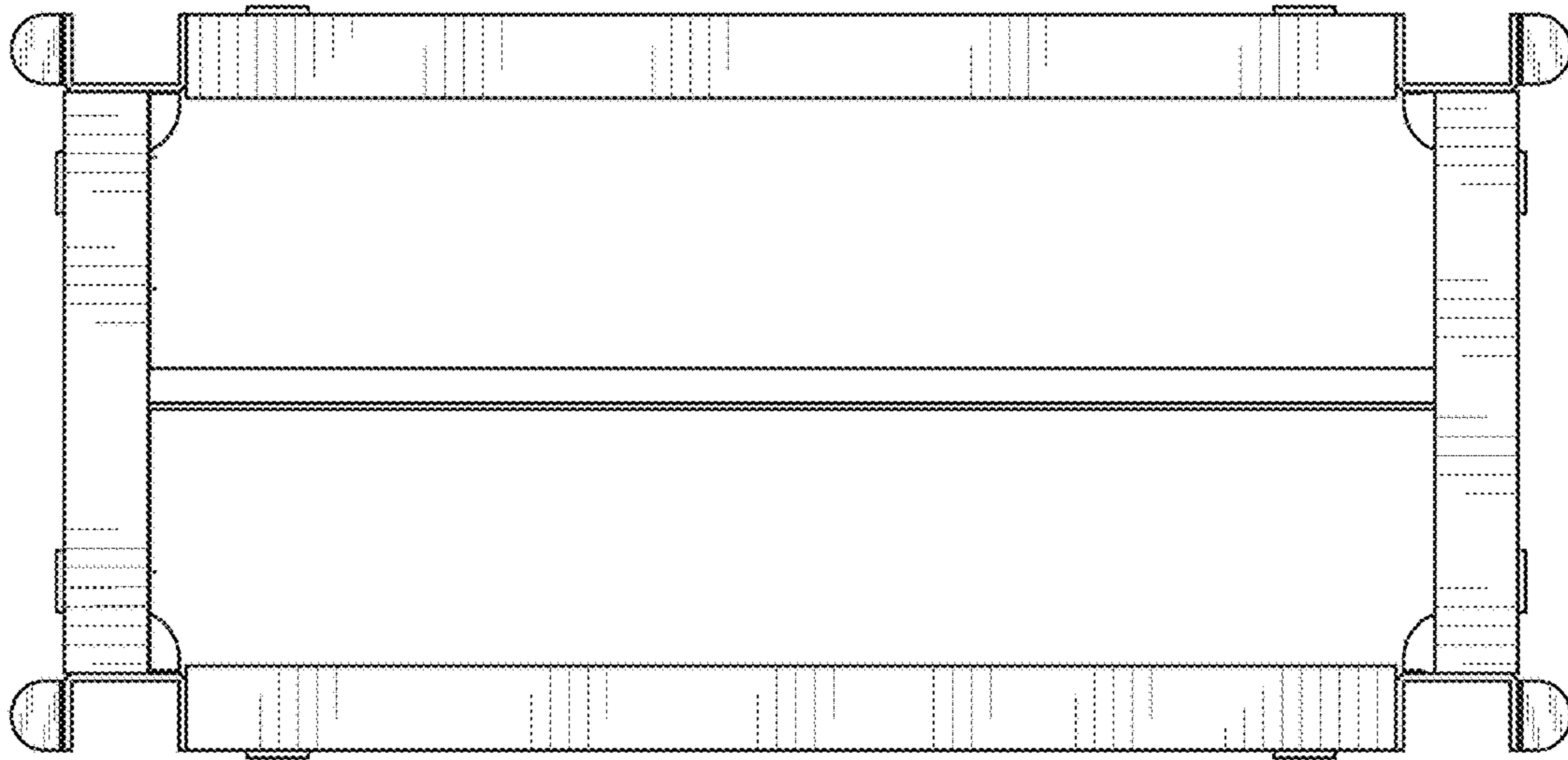


FIG. 4

© 2014 Steven Lawrence

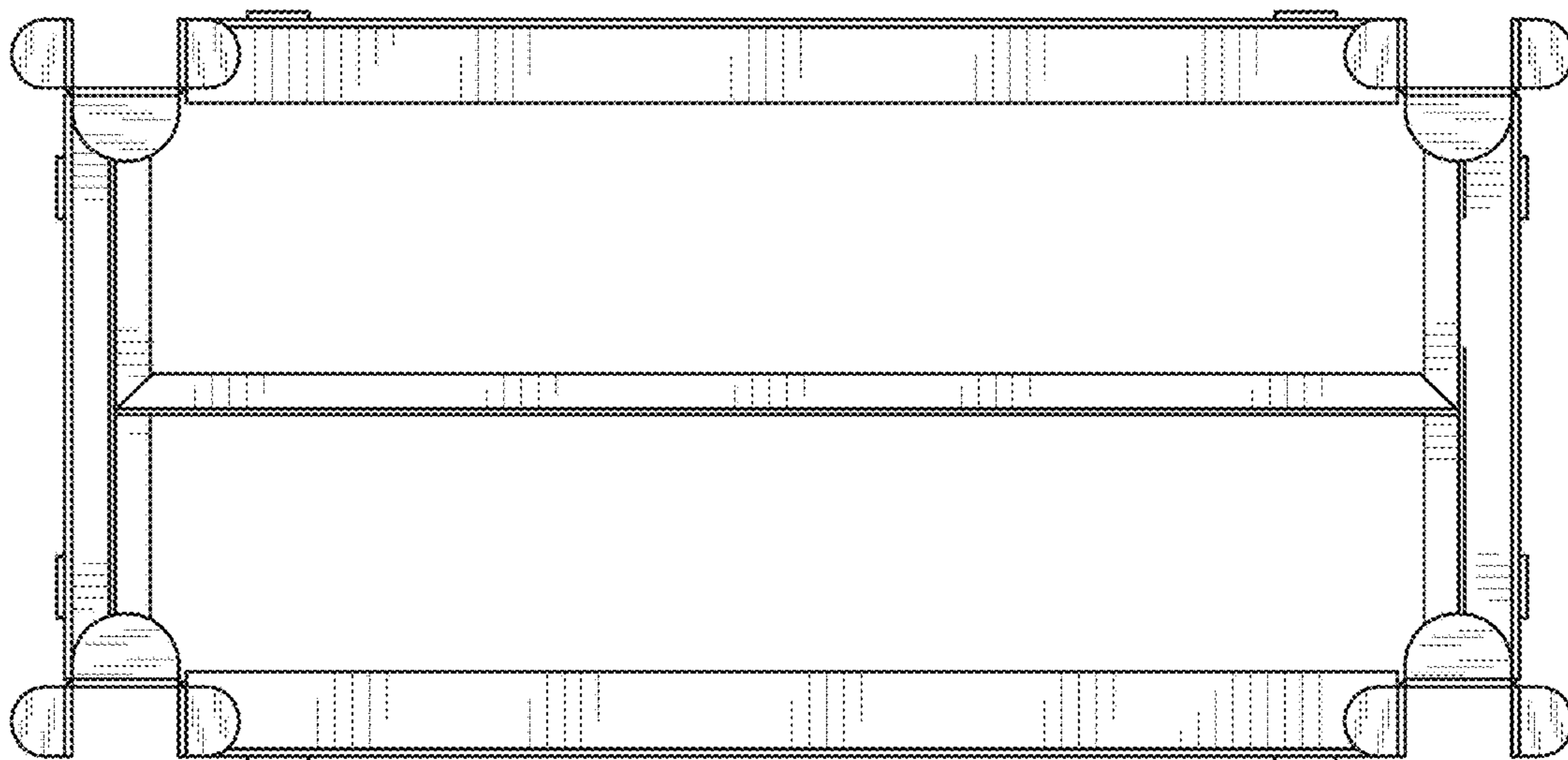
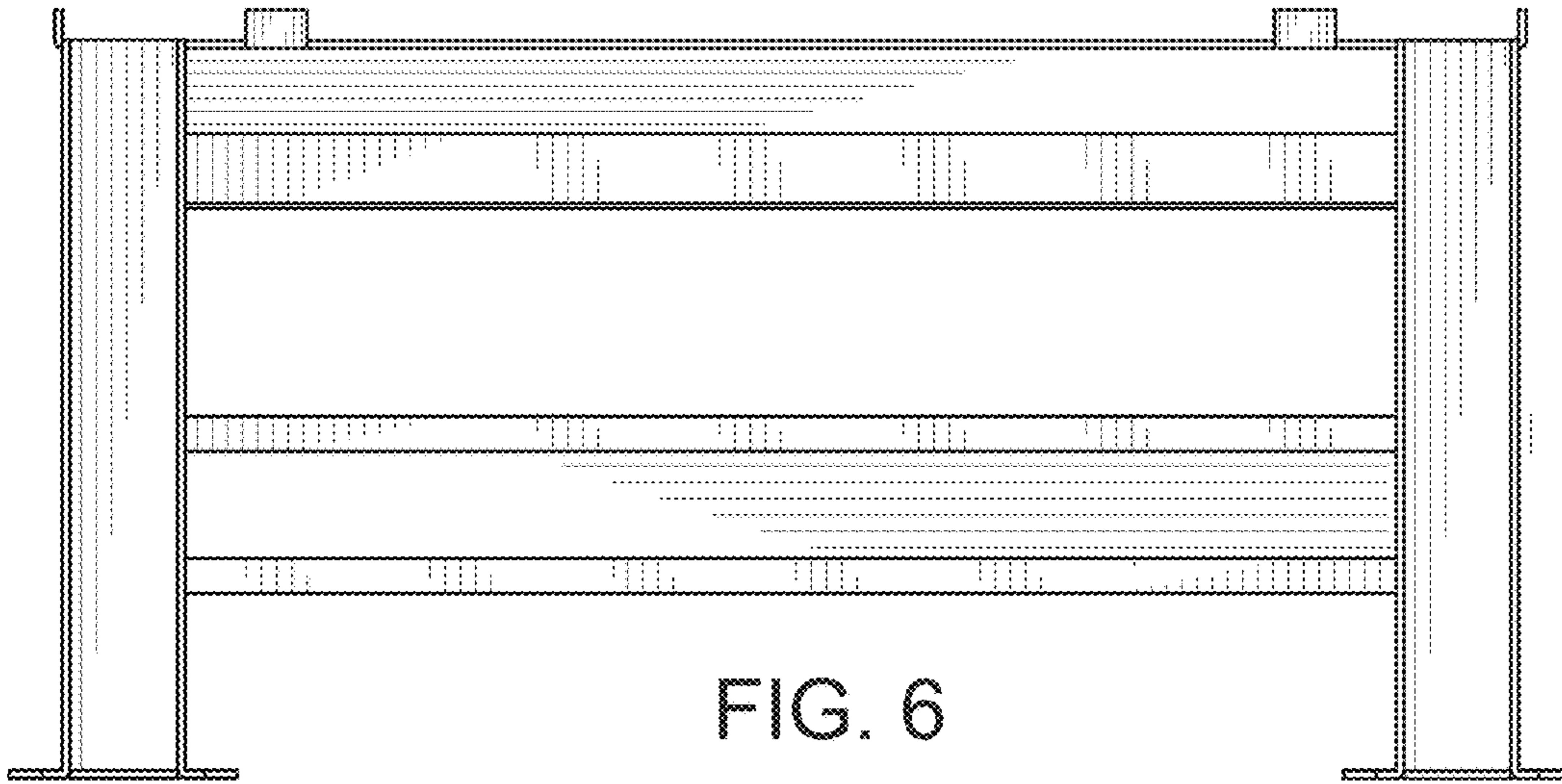
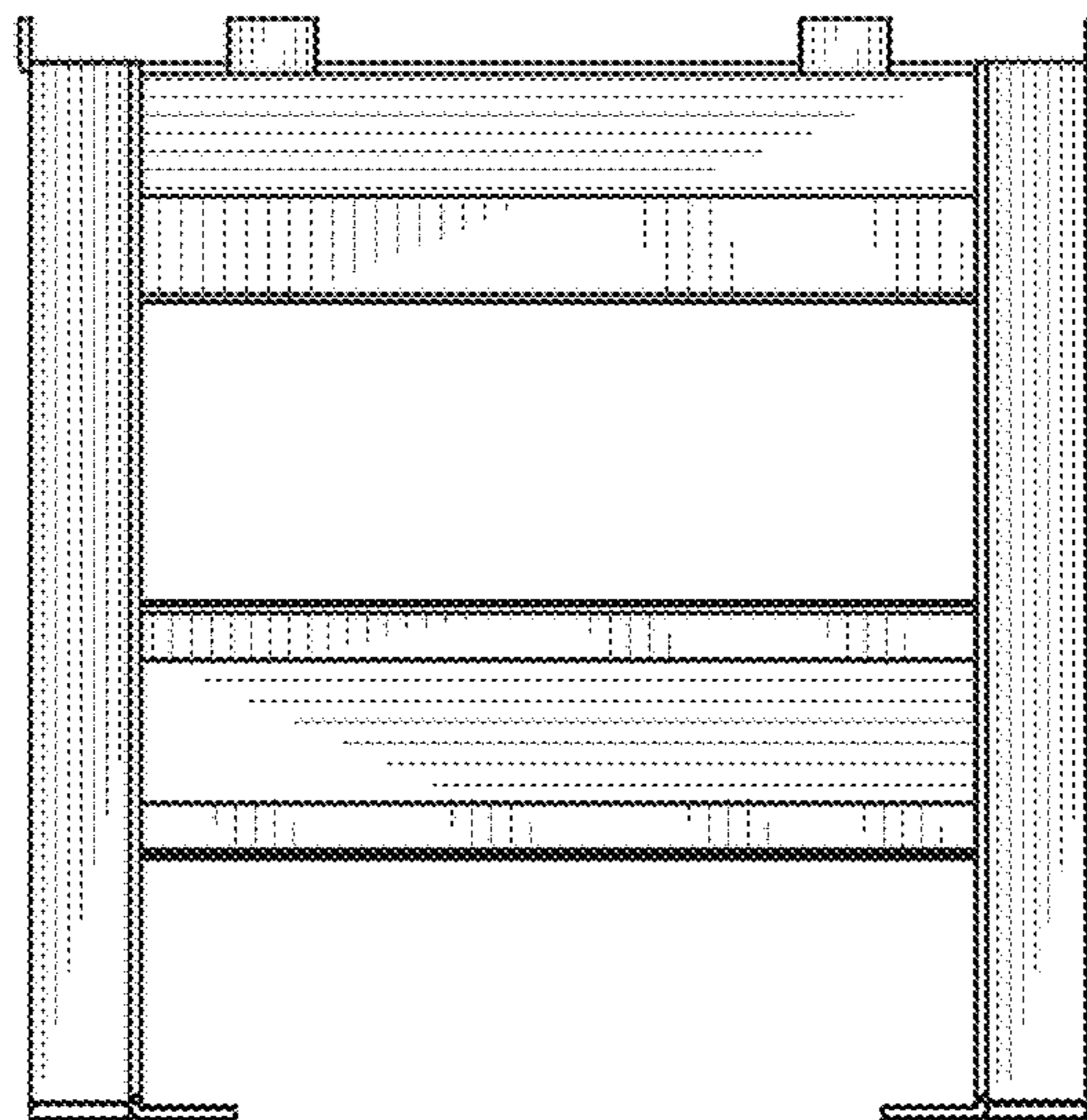


FIG. 5

© 2014 Steven Lawrence



© 2014 Steven Lawrence



© 2014 Steven Lawrence