



US00D774334S

(12) **United States Design Patent** (10) **Patent No.:** **US D774,334 S**  
**Lawrence** (45) **Date of Patent:** **\*\* Dec. 20, 2016**

(54) **MODULAR PLATFORM STRUCTURE**

(71) Applicant: **Steven P. Lawrence**, Sheboygan, WI (US)

(72) Inventor: **Steven P. Lawrence**, Sheboygan, WI (US)

(\*\*) Term: **14 Years**

(21) Appl. No.: **29/504,160**

(22) Filed: **Oct. 2, 2014**

(51) **LOC (10) Cl.** ..... **06-03**

(52) **U.S. Cl.**  
USPC ..... **D6/698**

(58) **Field of Classification Search**  
USPC ..... D6/641, 642, 644, 656, 656.1, 656.17, D6/684, 698; 108/153.1, 155, 157.1, 156, 108/161, 150; 248/188, 188.1; 144/286.1, 144/287  
CPC ..... A47B 3/12; A47B 13/021; A47B 13/06; A47B 13/08; A47B 13/023; B25H 1/04; B23D 47/025

See application file for complete search history.

(56) **References Cited**

**U.S. PATENT DOCUMENTS**

2,972,506	A *	2/1961	Haag	.....	A47B 85/06 108/101
3,580,652	A *	5/1971	Nielsen	.....	A47B 21/03 312/196
D228,107	S *	8/1973	Klotz et al.	.....	D6/691.6
D237,930	S *	12/1975	Demmer et al.	.....	D6/684
4,341,164	A *	7/1982	Johnson	.....	A47B 3/10 108/115
D270,317	S *	8/1983	Fleming	.....	D6/691
D273,739	S *	5/1984	Shapiro	.....	D6/684
D296,053	S *	6/1988	Barber	.....	D6/655.21
D346,709	S *	5/1994	Nagao	.....	D6/684
D371,260	S *	7/1996	Walters, III	.....	D6/691.1
D372,135	S *	7/1996	Lee	.....	D6/684

D372,602	S *	8/1996	Richardson	.....	D6/691.8
D394,761	S *	6/1998	Bird	.....	D6/656
D399,375	S *	10/1998	De Blaay	.....	D6/691.1
D433,849	S *	11/2000	Walters, III	.....	D6/691
D503,570	S *	4/2005	Anderson	.....	D6/349
D535,116	S *	1/2007	Maitland-Smith	.....	D6/642
D536,551	S *	2/2007	Domack	.....	D6/642
D584,073	S *	1/2009	Mohundro	.....	D6/642
D593,780	S *	6/2009	Jeup	.....	D6/708
D669,706	S *	10/2012	Zambelli	.....	D6/662.1
D669,707	S *	10/2012	Zambelli	.....	D6/662.1

(Continued)

*Primary Examiner* — John Windmuller

*Assistant Examiner* — Steven Czyz

(74) *Attorney, Agent, or Firm* — Mandy T. Garrels; Ceres Patent & Technology LLC

(57) **CLAIM**

The ornamental design for a modular platform structure, as shown and described.

**DESCRIPTION**

A portion of the disclosure of this patent document contains material that is subject to copyright protection. The copyright owner has no objection to the facsimile reproduction by anyone of the patent document or patent disclosure as it appears in the Patent and Trademark office, patent file or records, but otherwise reserves all copyright rights whatsoever.

The modular platform structure of the claimed design is a trademark of SSL Industries, Inc.

FIG. 1 is a top perspective view of a modular platform structure;

FIG. 2 is a bottom perspective view thereof;

FIG. 3 is an exploded top perspective view thereof;

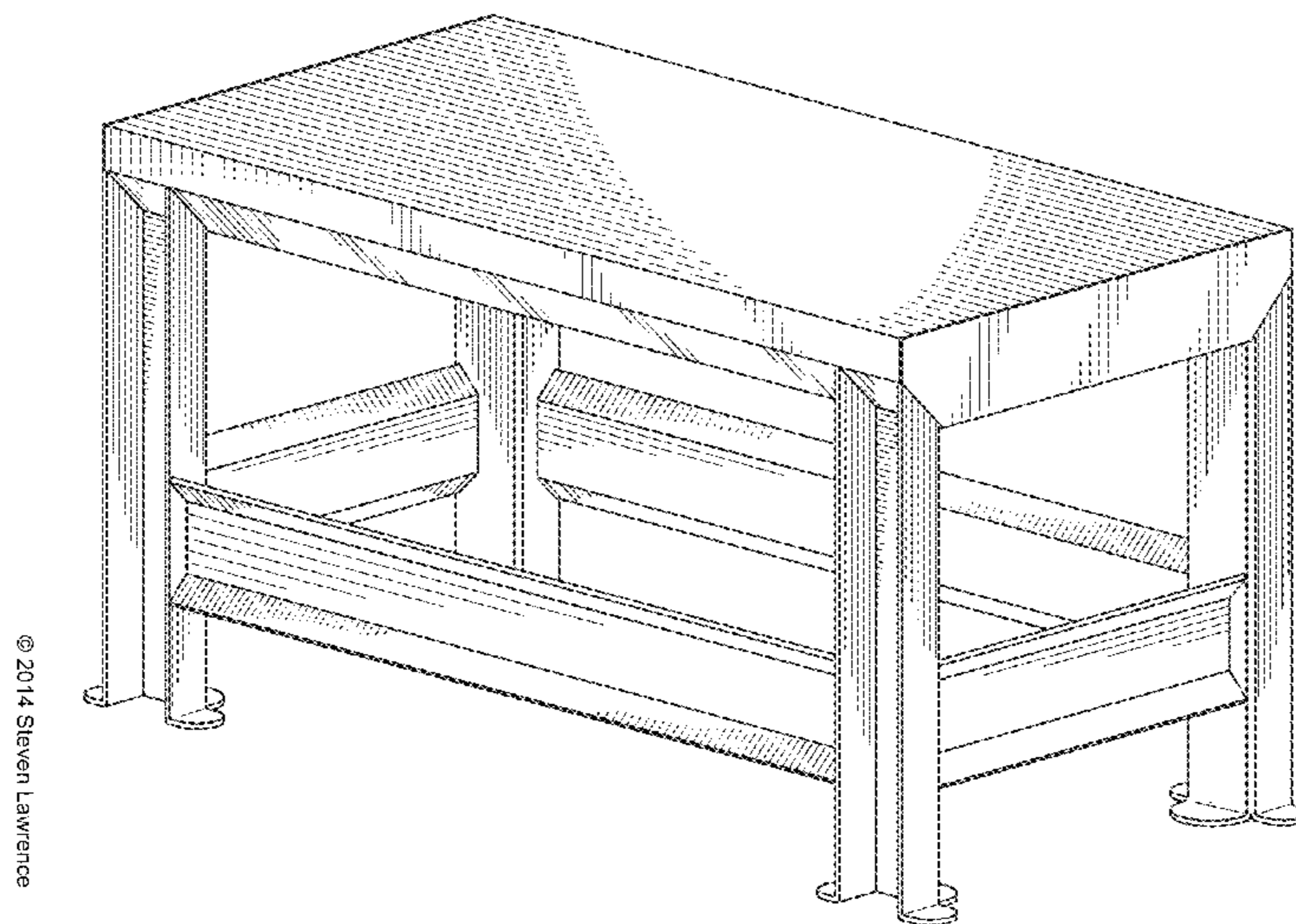
FIG. 4 is a top plan view thereof;

FIG. 5 is a bottom plan view thereof;

FIG. 6 is a front view thereof; and,

FIG. 7 is a side view thereof.

**1 Claim, 5 Drawing Sheets**



© 2014 Steven Lawrence

(56)

**References Cited**

U.S. PATENT DOCUMENTS

D670,105 S *	11/2012	Jespersen .....	D6/691
D730,085 S *	5/2015	Liu .....	D6/642
D756,693 S *	5/2016	Shah .....	D6/684
D757,464 S *	5/2016	Chiang .....	D6/642
2015/0320199 A1 *	11/2015	Lawrence .....	A61B 50/10 248/188.1

\* cited by examiner

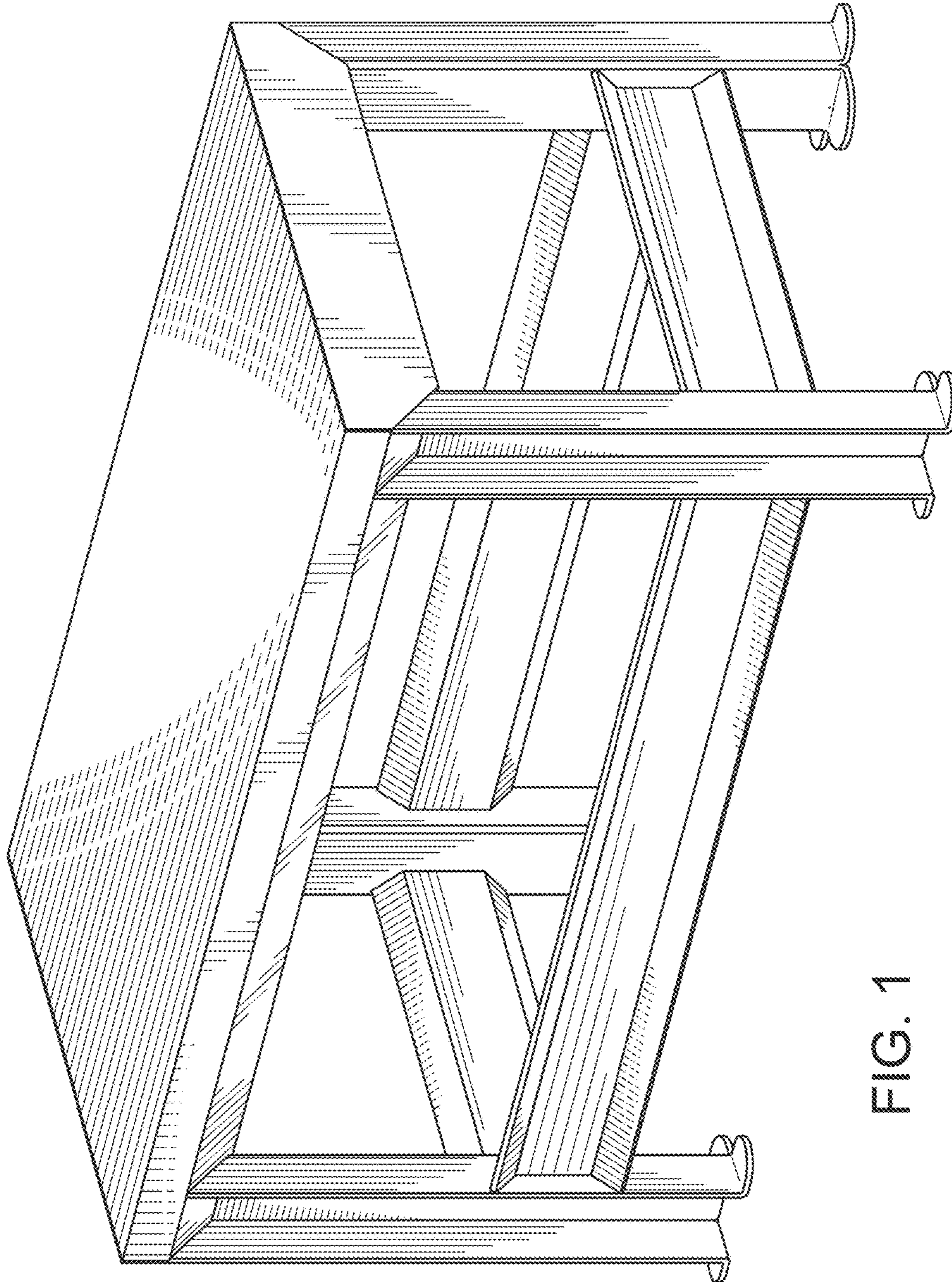


FIG. 1

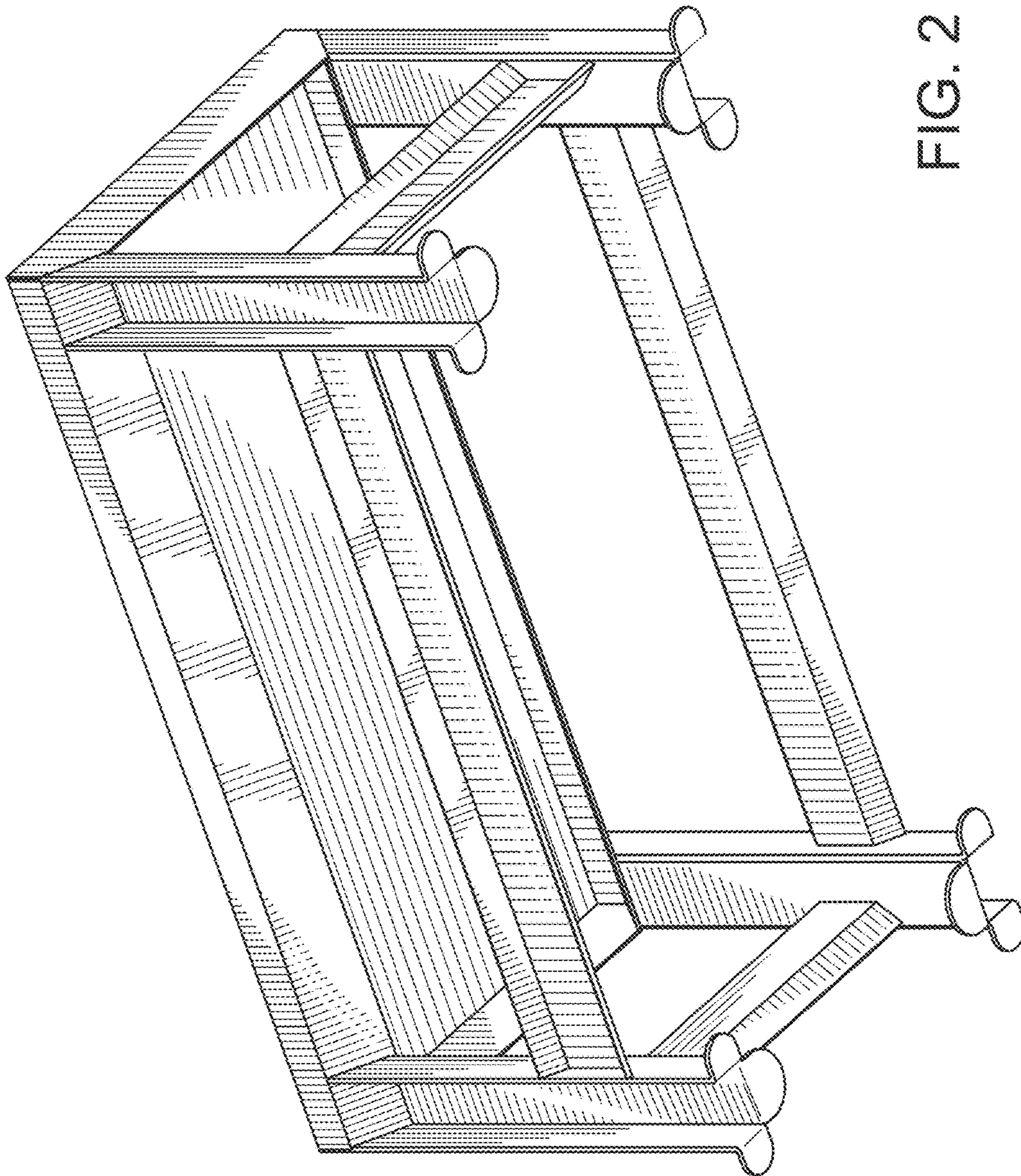


FIG. 2

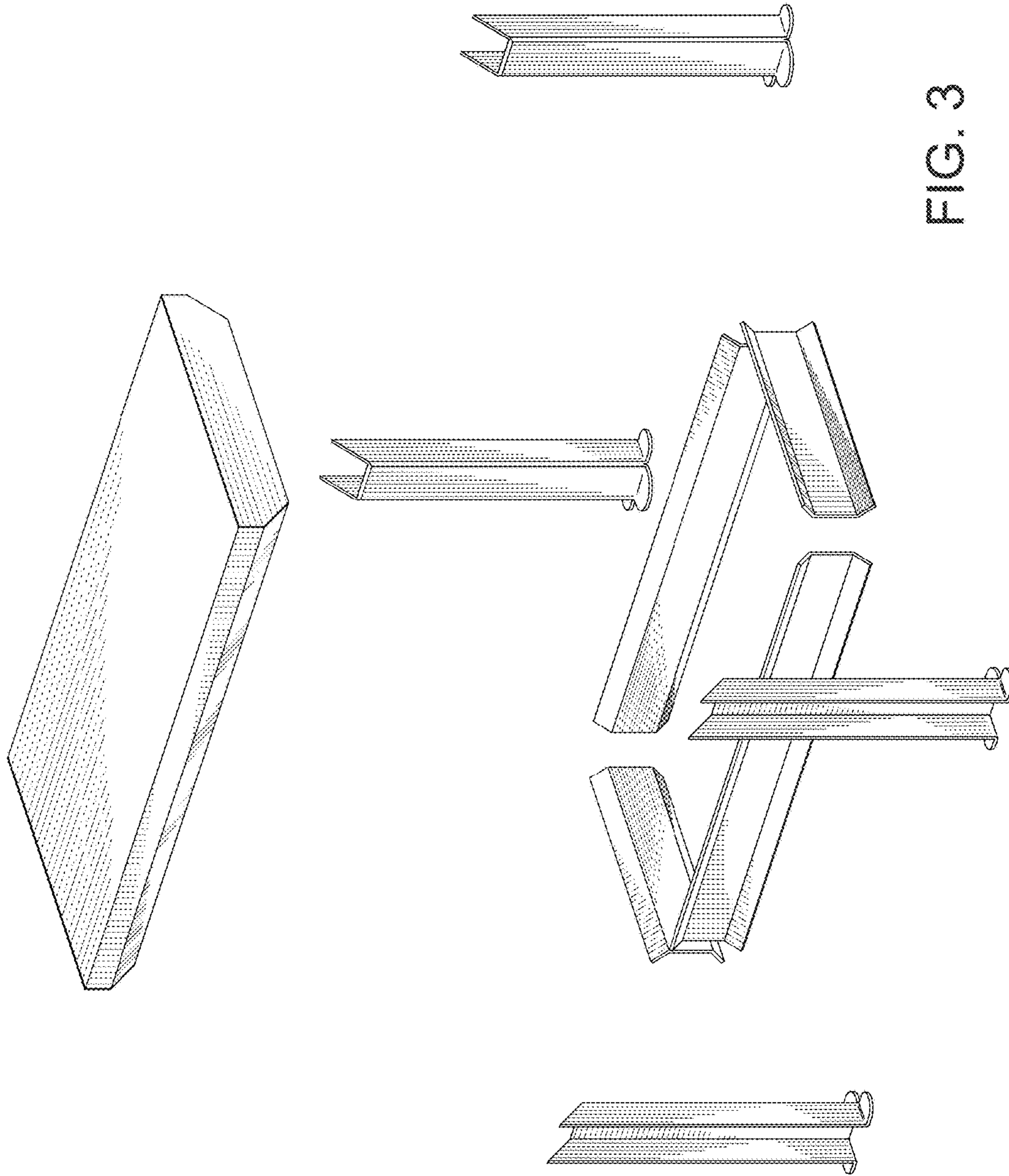


FIG. 3

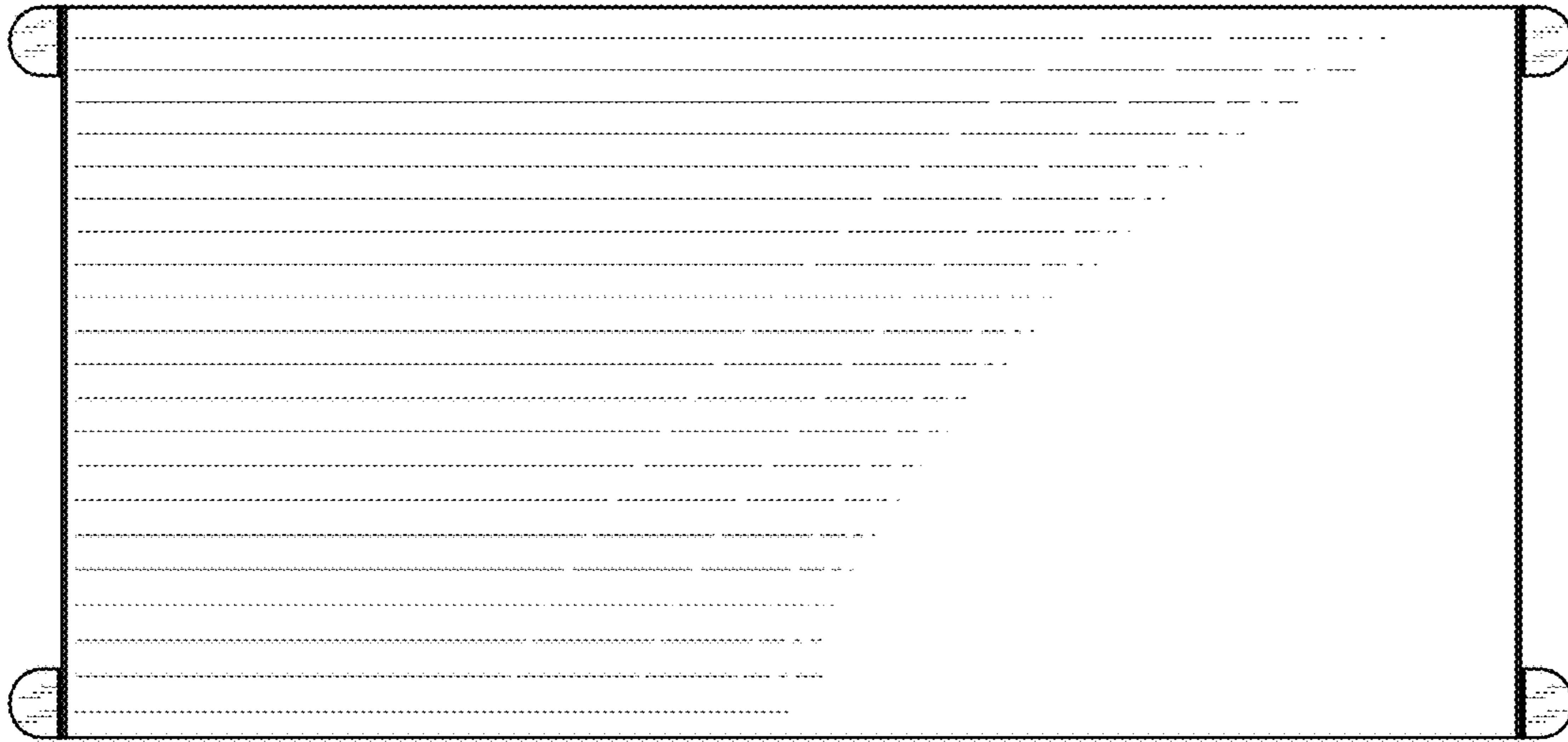


FIG. 4 © 2014 Steven Lawrence

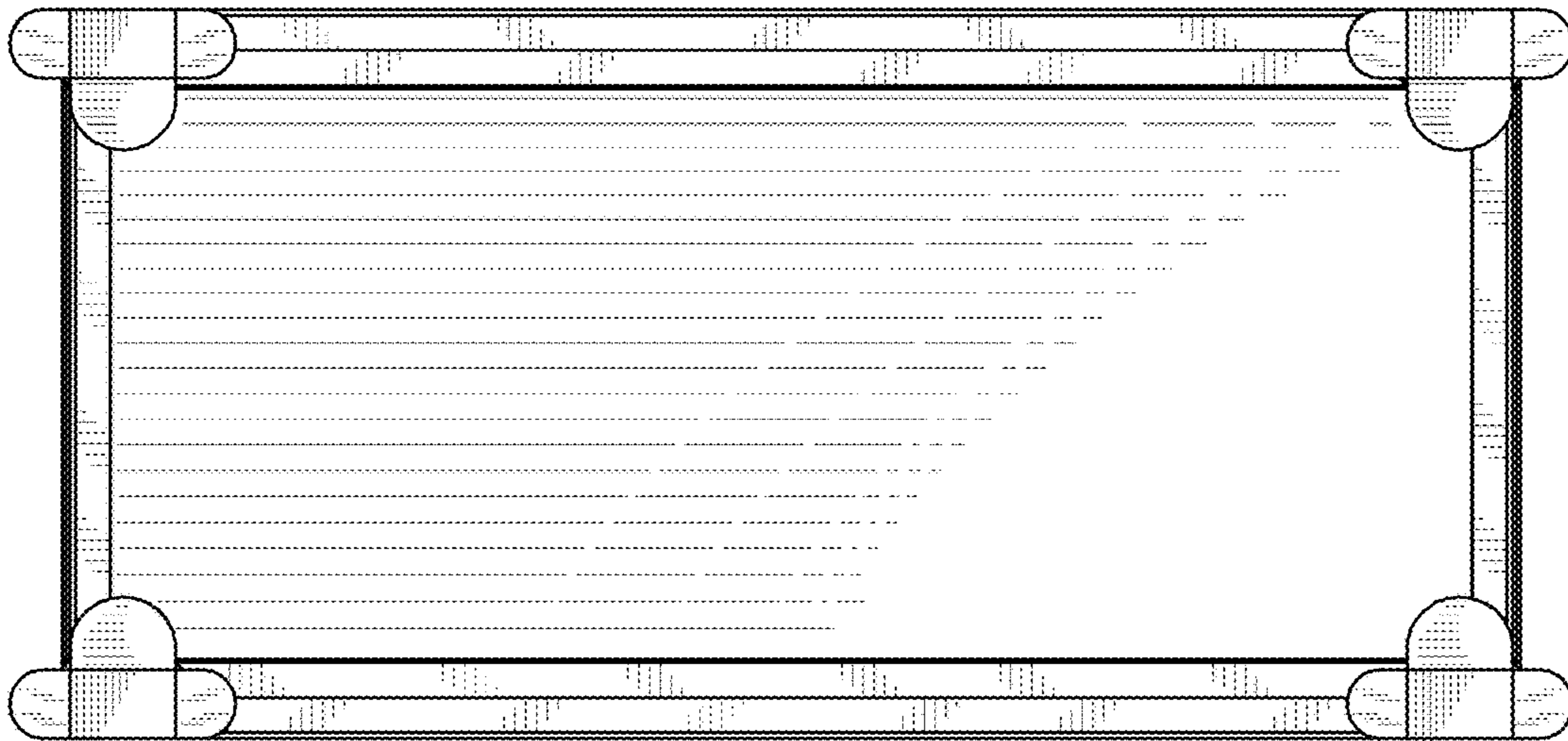


FIG. 5 © 2014 Steven Lawrence

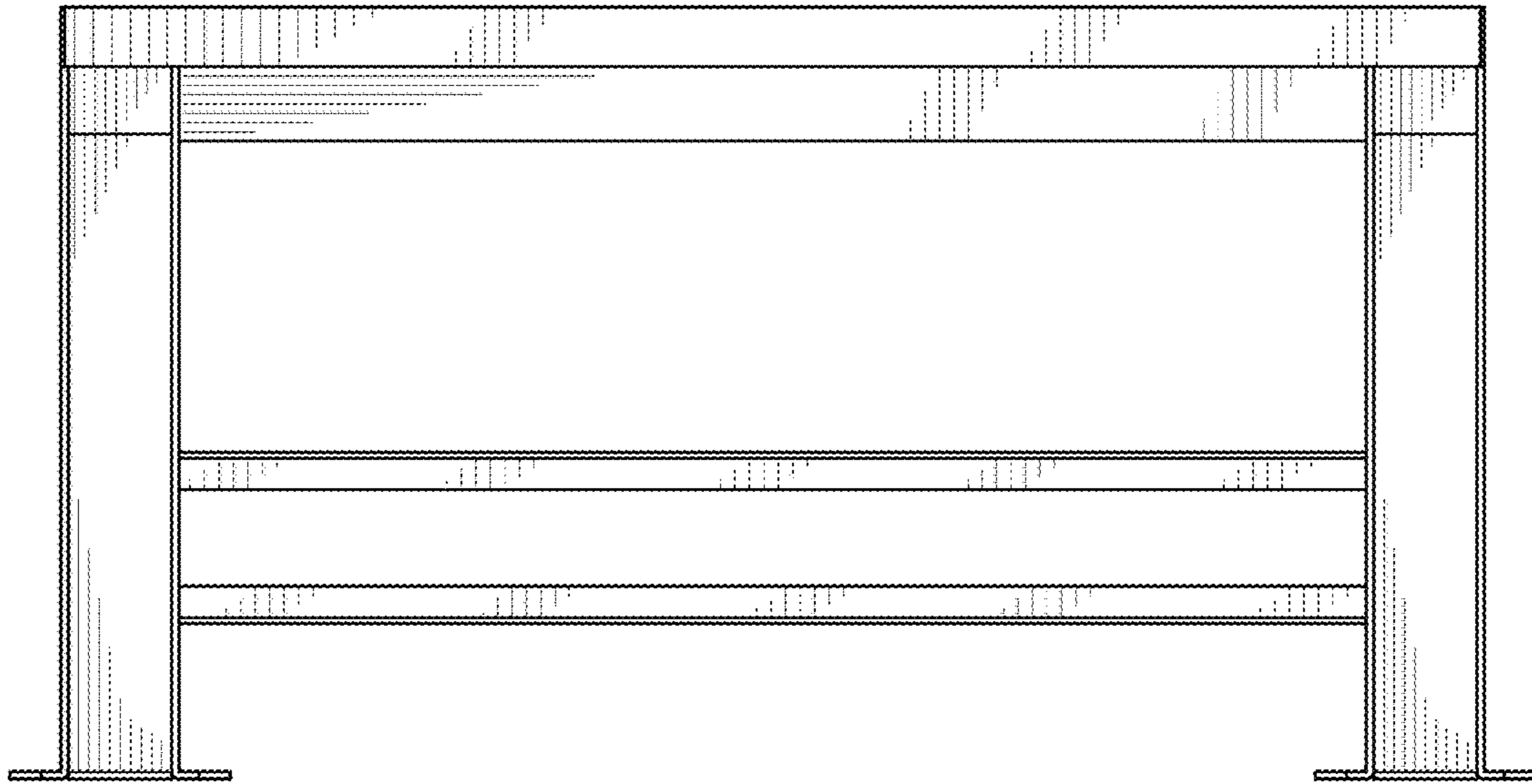


FIG. 6

© 2014 Steven Lawrence

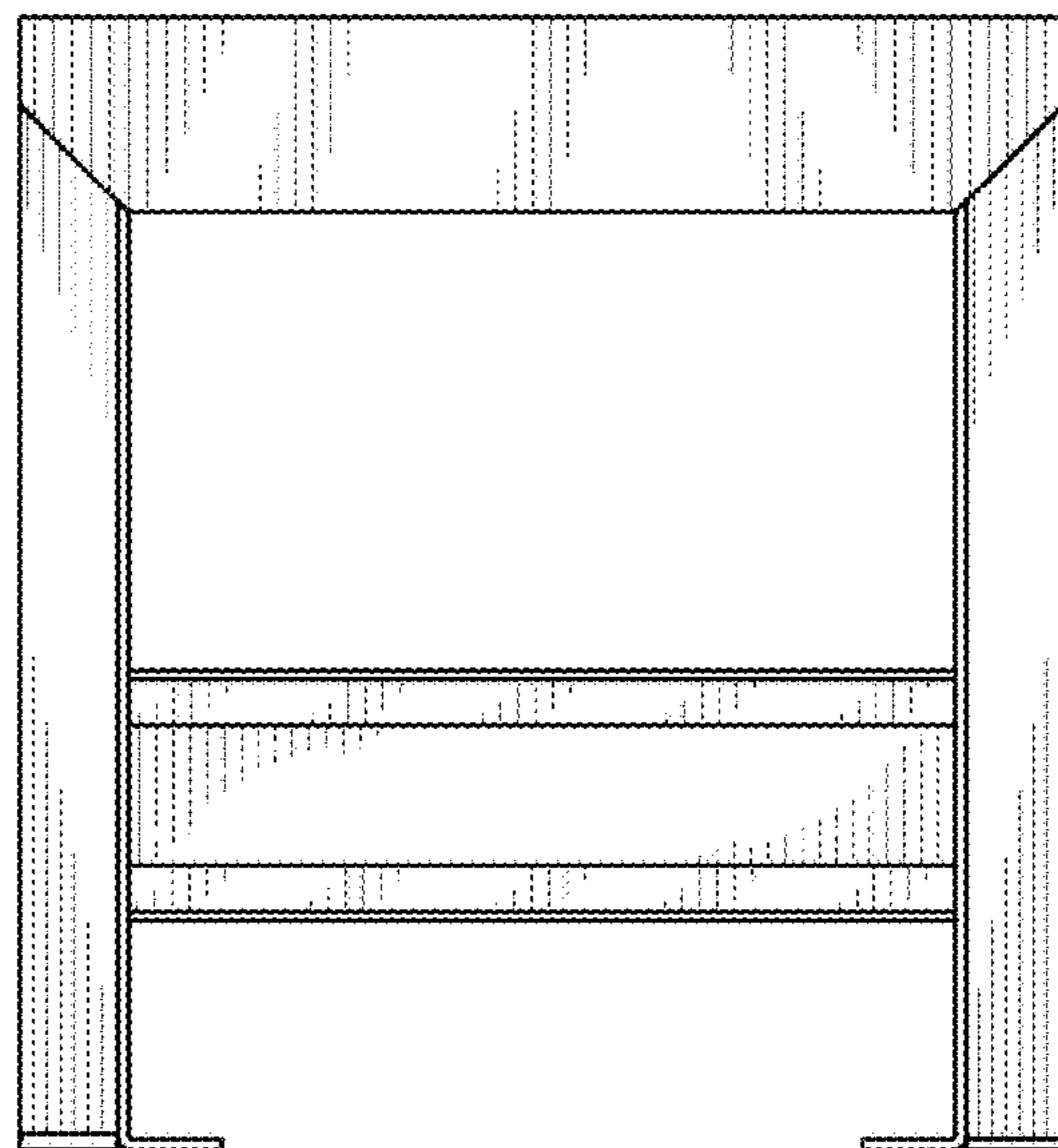


FIG. 7

© 2014 Steven Lawrence