



US00D774333S

(12) **United States Design Patent**
Pace et al.

(10) **Patent No.:** **US D774,333 S**
(45) **Date of Patent:** **** Dec. 20, 2016**

(54) **MODULAR SUPPORT FRAME ASSEMBLY**

(71) Applicant: **Revolution Display, LLC**, Glendale, CA (US)

(72) Inventors: **Vincent M. Pace**, Sherman Oaks, CA (US); **Patrick Campbell**, Canyon Country, CA (US)

(73) Assignee: **Revolution Display, LLC**, Glendale, CA (US)

(**) Term: **14 Years**

(21) Appl. No.: **29/526,440**

(22) Filed: **May 8, 2015**

(51) **LOC (10) Cl.** **06-06**

(52) **U.S. Cl.**
USPC **D6/675.3**

(58) **Field of Classification Search**
USPC D6/678, 681, 681.1, 681.2, 682, 675.3,
D6/675.5, 512, 708, 332, 712; D25/1;
D34/23, 28

(Continued)

(56) **References Cited**

U.S. PATENT DOCUMENTS

2,986,284 A * 5/1961 Colbert A47B 81/007
211/134
D254,112 S * 2/1980 Handler D6/684

(Continued)

Primary Examiner — Kelley Donnelly

(74) *Attorney, Agent, or Firm* — Downs Rachlin Martin PLLC

(57) **CLAIM**

The ornamental design for a modular support frame assembly, as shown and described.

DESCRIPTION

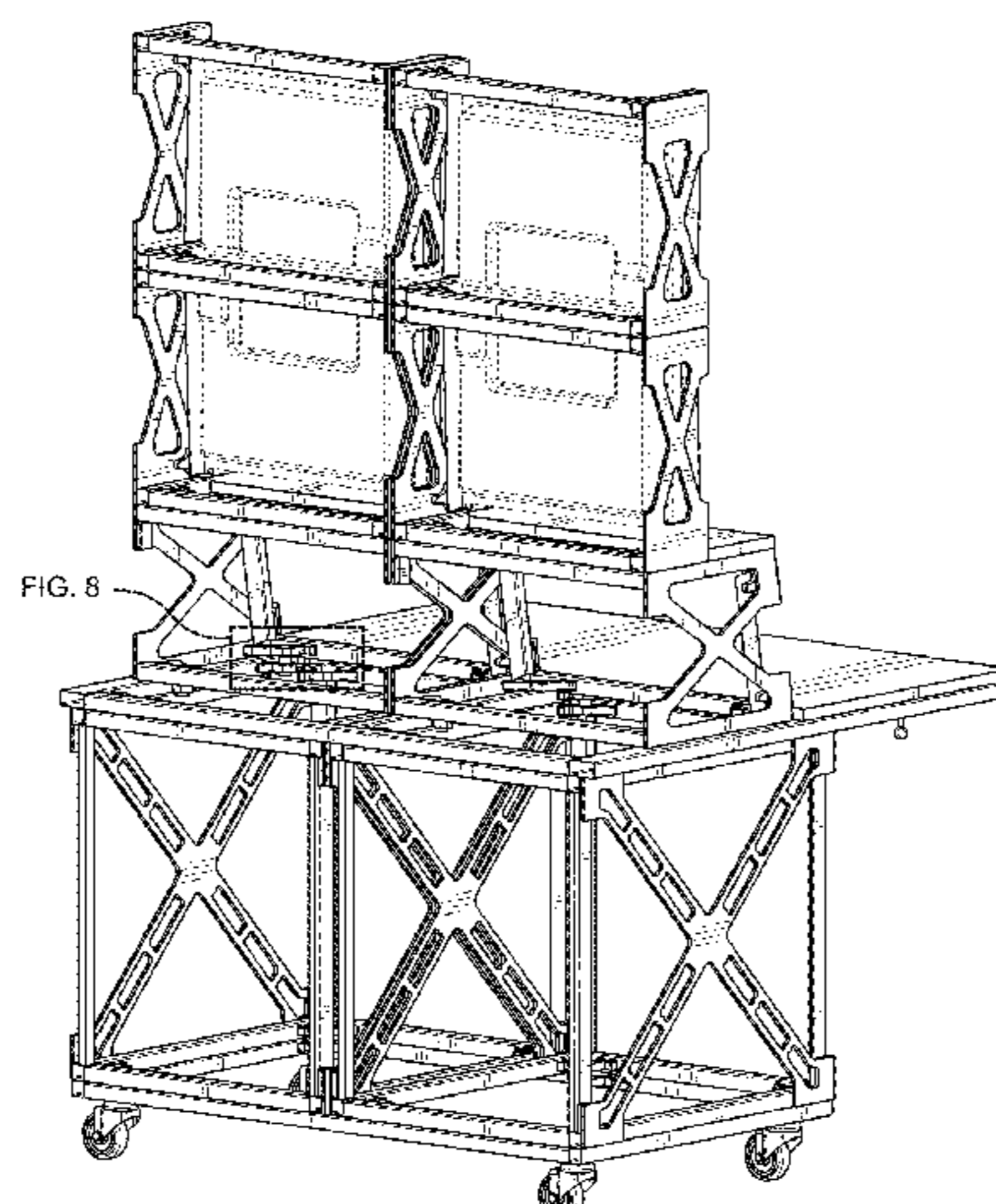
FIG. 1 is a rear perspective view of a modular support frame assembly showing our new design;

FIG. 2 is a front view thereof;
FIG. 3 is a rear view thereof;
FIG. 4 is a side view thereof;
FIG. 5 is a second side view thereof;
FIG. 6 is a top view thereof;
FIG. 7 is a bottom view thereof;
FIG. 8 is an enlarged view of the portion within the broken line box shown in FIG. 1;
FIG. 9 is a perspective view of a modular support frame subassembly of the modular support frame assembly of FIG. 1 showing our new design;
FIG. 10 is a front view thereof;
FIG. 11 is a rear view thereof;
FIG. 12 is a side view thereof;
FIG. 13 is a second side view thereof;
FIG. 14 is a top view thereof;
FIG. 15 is a bottom view thereof;
FIG. 16 is a perspective view of a modular support frame subassembly of the modular support frame assembly of FIG. 1 showing our new design;
FIG. 17 is a front view thereof;
FIG. 18 is a rear view thereof;
FIG. 19 is a side view thereof;
FIG. 20 is a second side view thereof;
FIG. 21 is a top view thereof;
FIG. 22 is a bottom view thereof;
FIG. 23 is a perspective view of a modular support frame subassembly of the modular support frame assembly of FIG. 1 showing our new design;
FIG. 24 is a front view thereof;
FIG. 25 is a rear view thereof;
FIG. 26 is a side view thereof;
FIG. 27 is a second side view thereof;
FIG. 28 is a top view thereof; and,
FIG. 29 is a bottom view thereof.

The design is directed to the modular support frame assembly shown in FIGS. 1-8. The subassemblies of the modular support frame assembly are shown separately in FIGS. 9-29 to further illustrate our new design.

The broken lines in the Figures are for the purpose of illustrating the environment of the modular support frame assembly and form no part of the claimed design.

1 Claim, 29 Drawing Sheets



(58) **Field of Classification Search**

CPC F16M 9/00; F16M 13/00; F16M 2200/08
See application file for complete search history.

(56) **References Cited**

U.S. PATENT DOCUMENTS

5,190,171 A * 3/1993 Christman, Jr. B62B 3/006
211/186
D639,448 S * 6/2011 Grainger D25/1
D660,749 S * 5/2012 Strayer D12/115
D661,623 S * 6/2012 Strayer D12/115
D676,944 S * 2/2013 Schindler D23/286
D706,064 S * 6/2014 Ota D6/675.3
D746,532 S * 12/2015 Meyer D34/29
D754,458 S * 4/2016 Mason D6/675.1
D762,396 S * 8/2016 Pace D6/407
2007/0278169 A1 * 12/2007 Grainger B65D 19/08
211/186

* cited by examiner

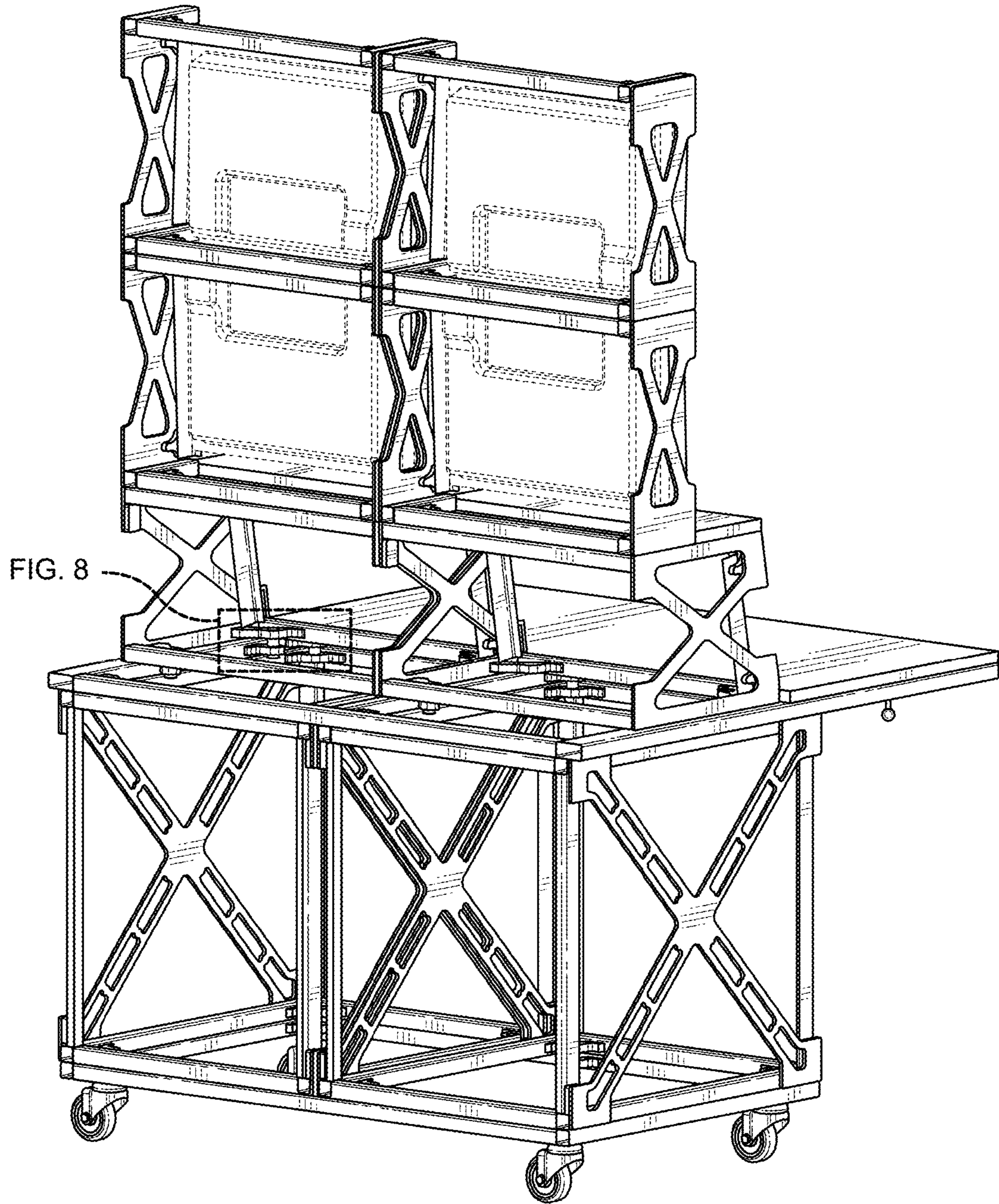


FIG. 1

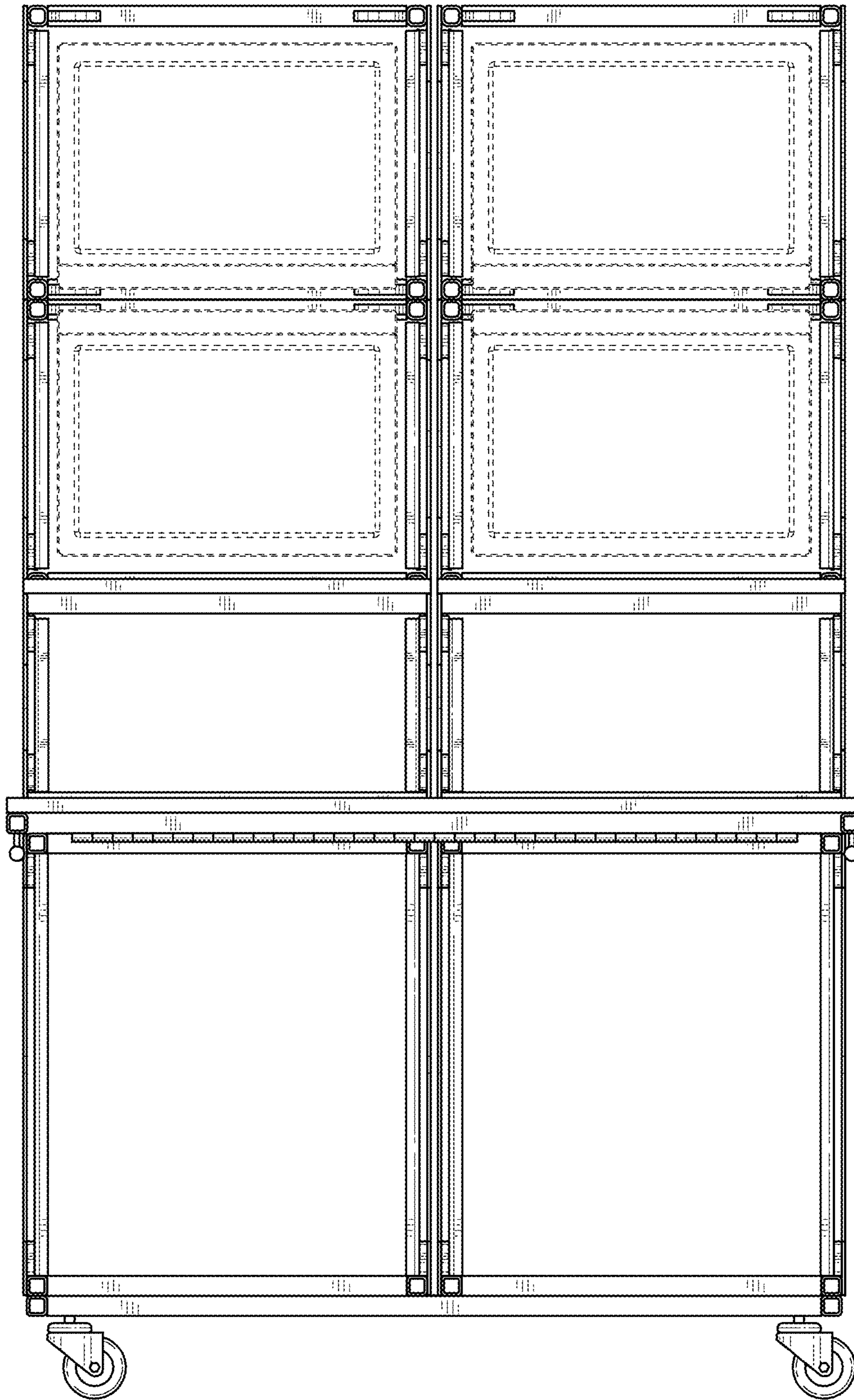


FIG. 2

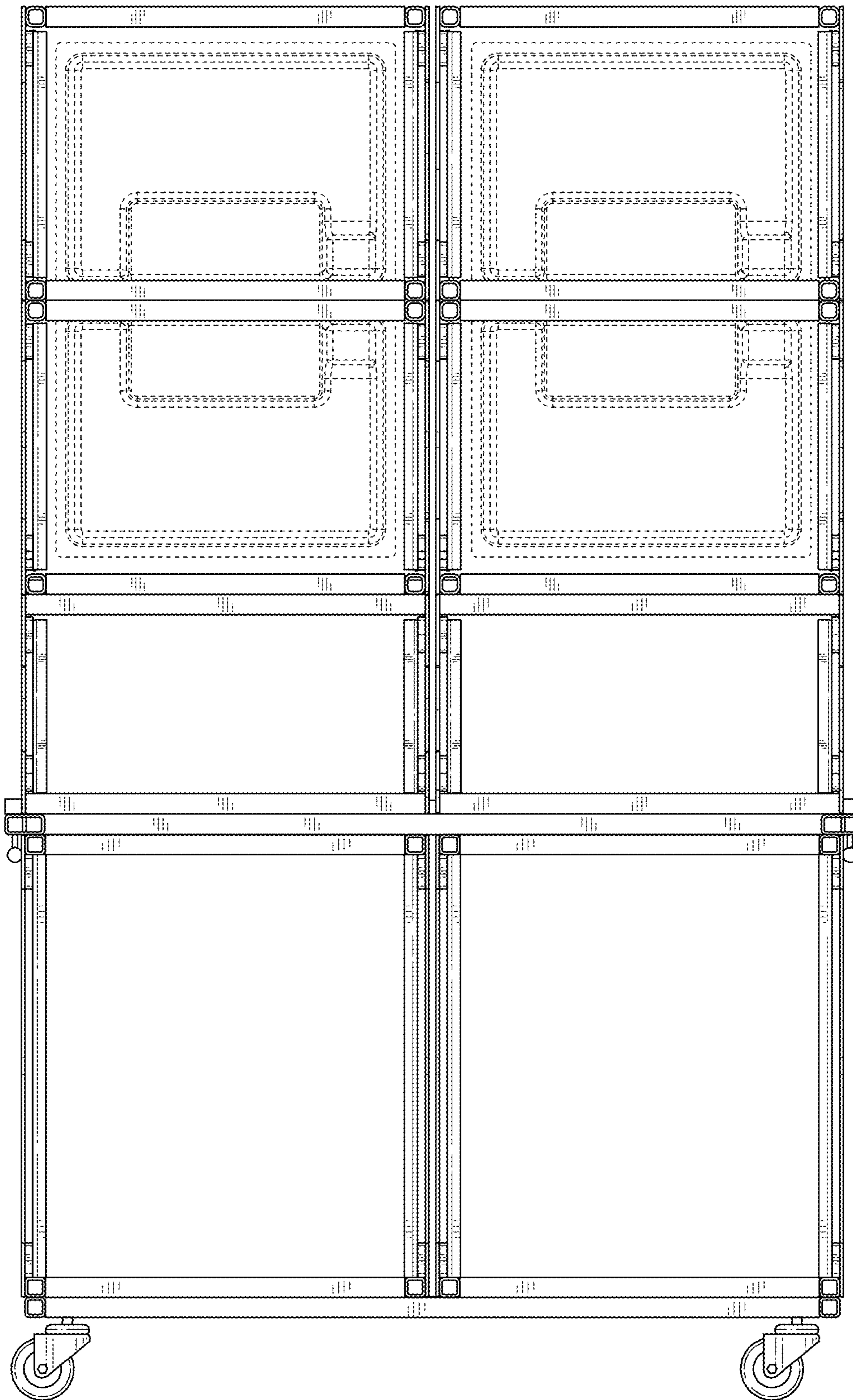


FIG. 3

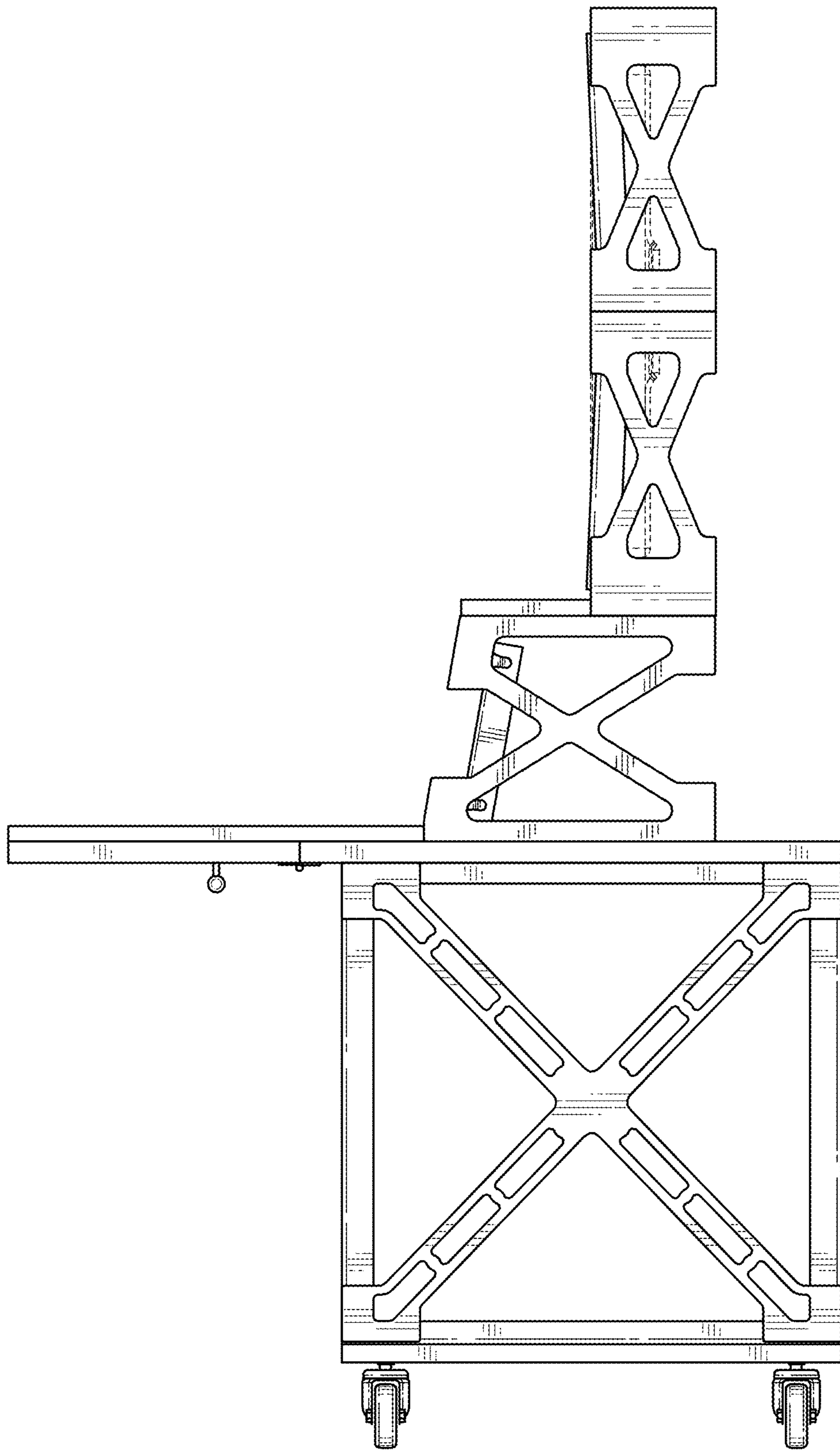


FIG. 4

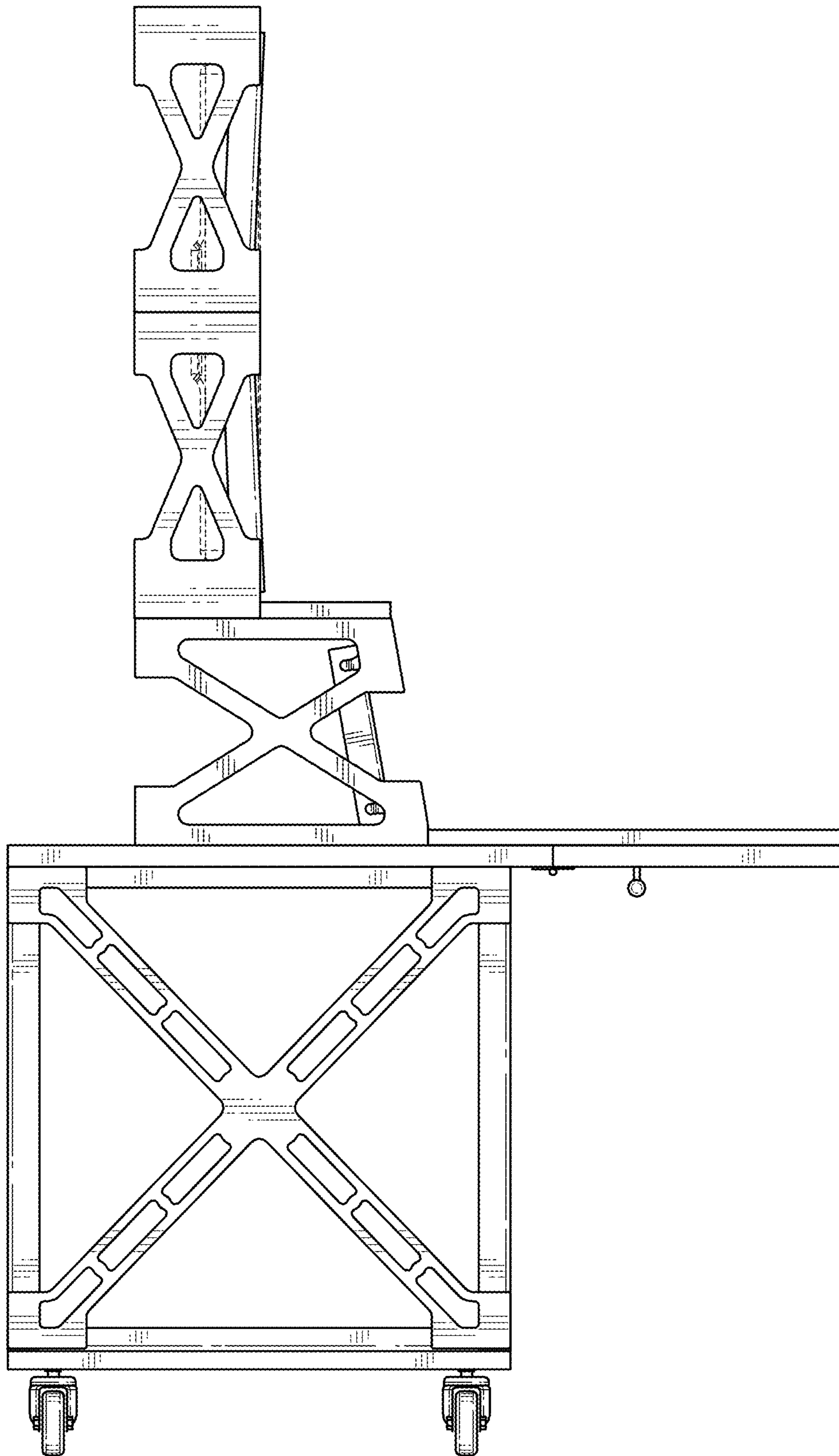


FIG. 5

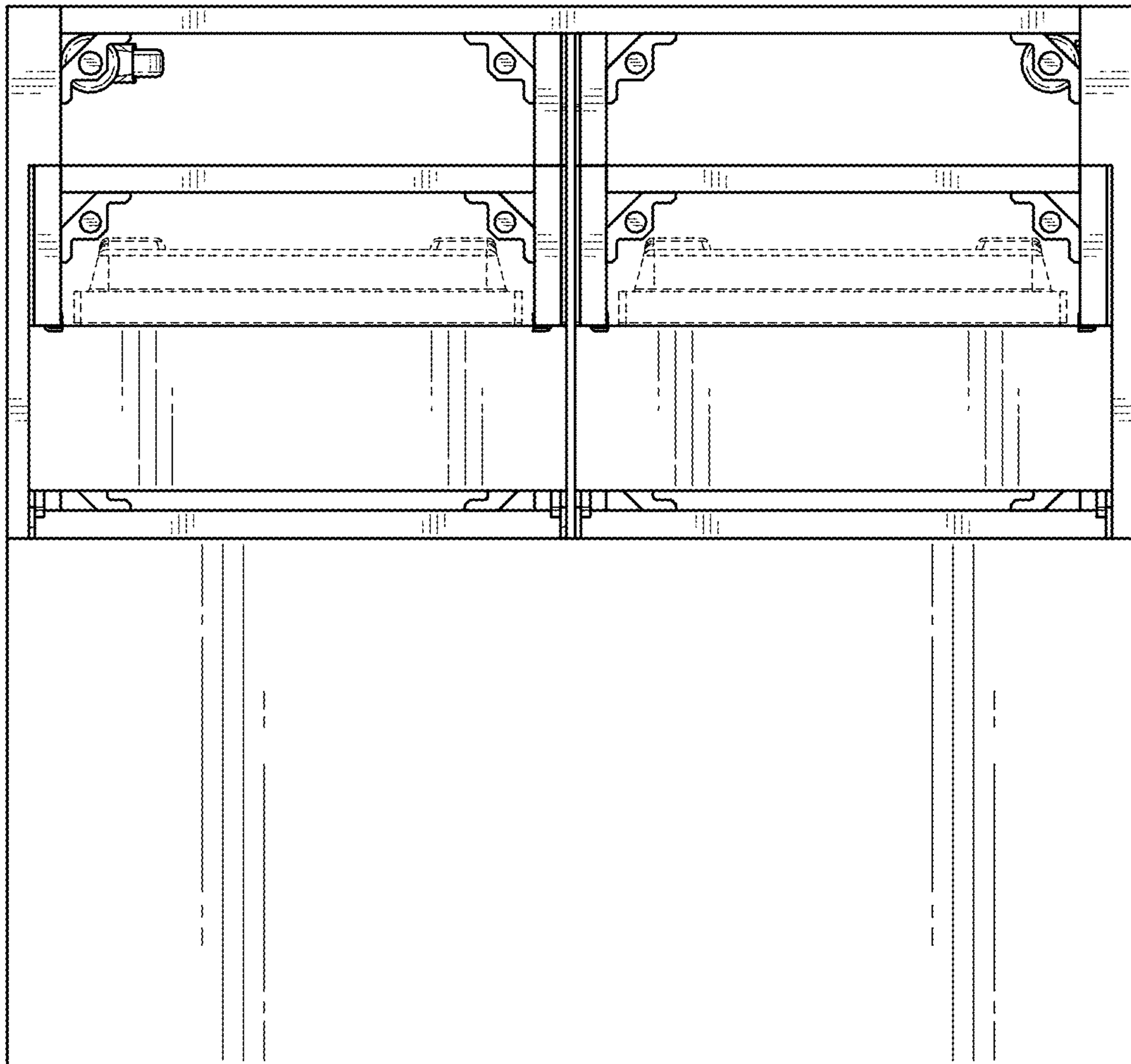


FIG. 6

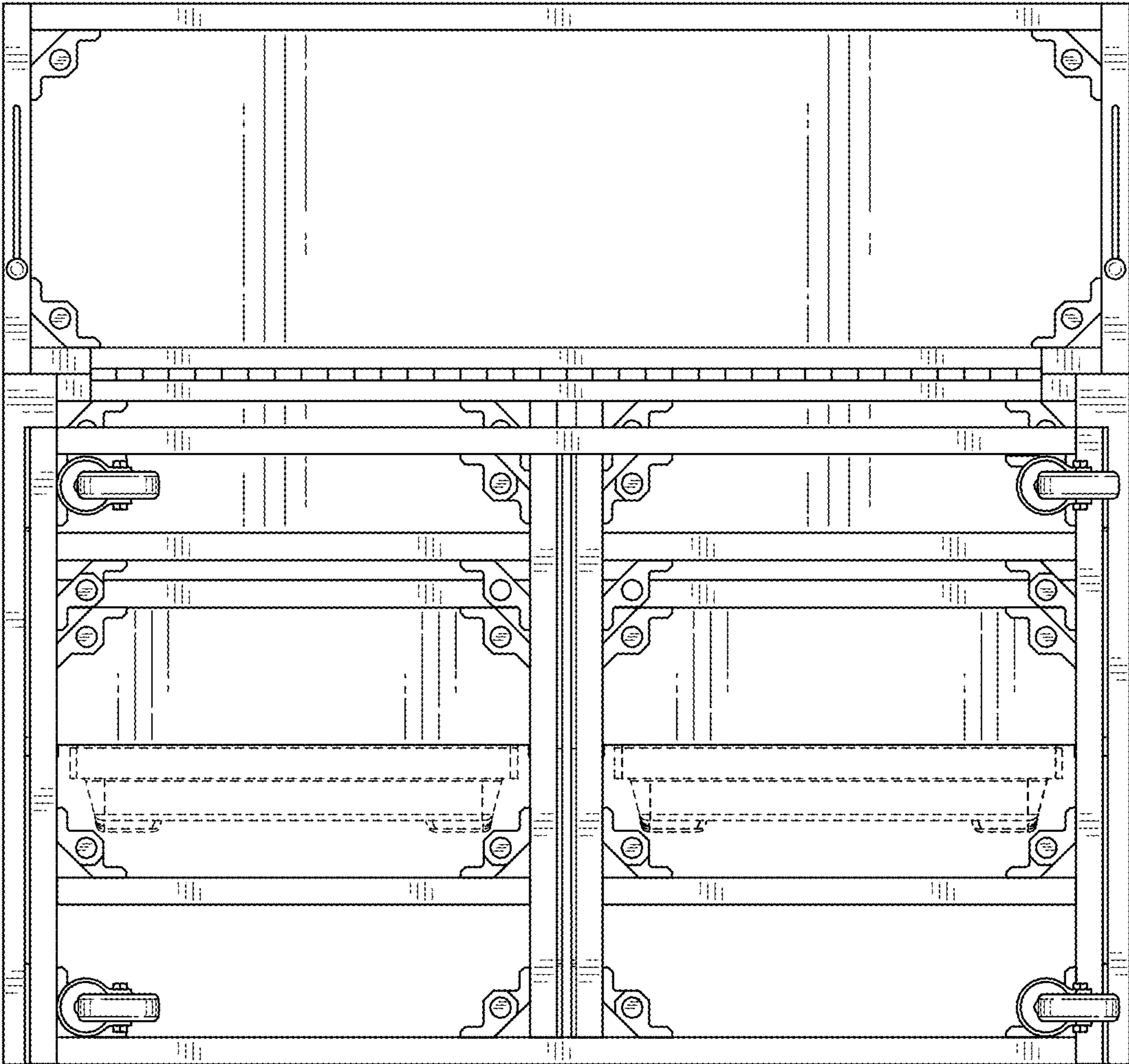


FIG. 7

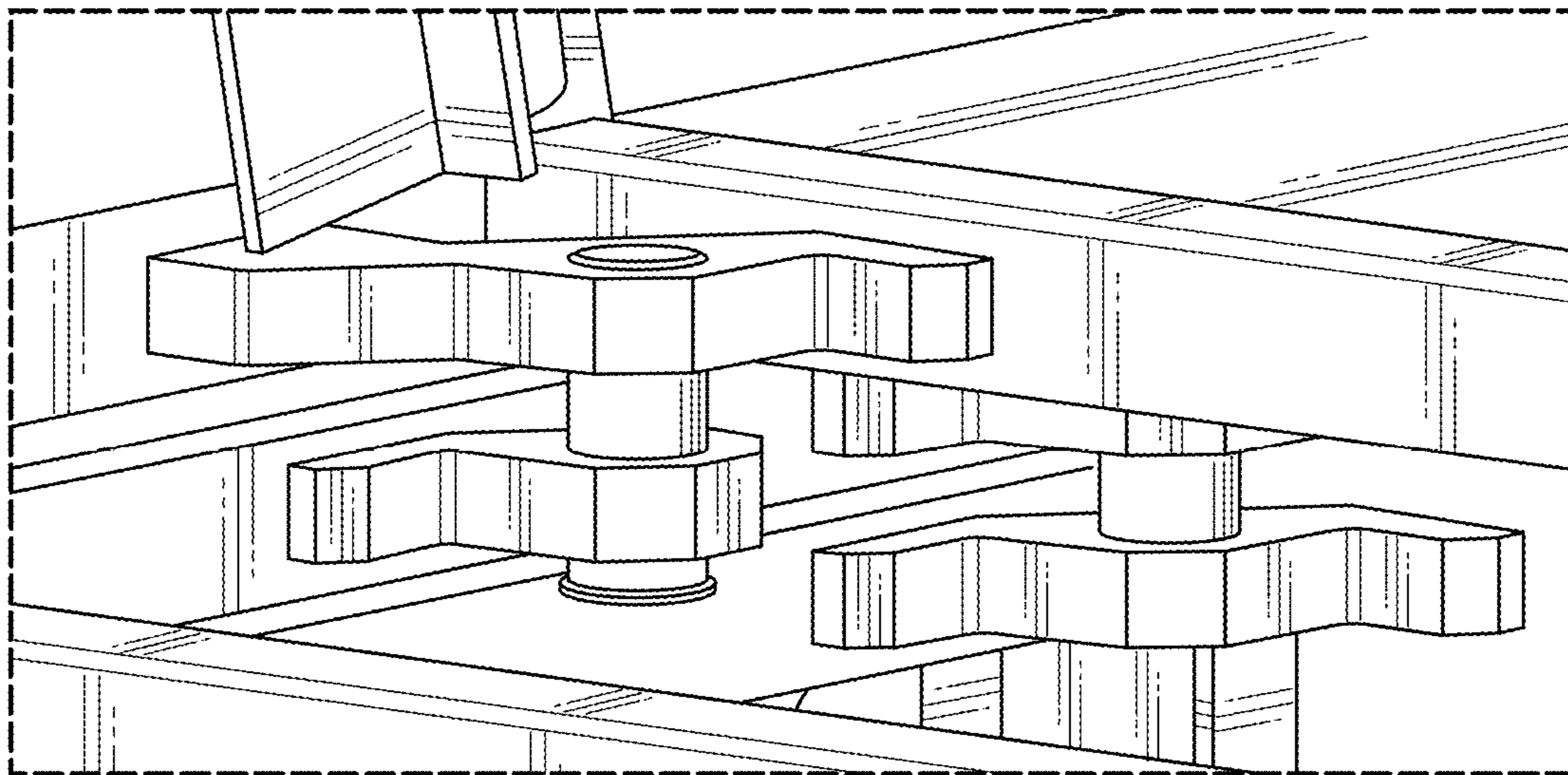


FIG. 8

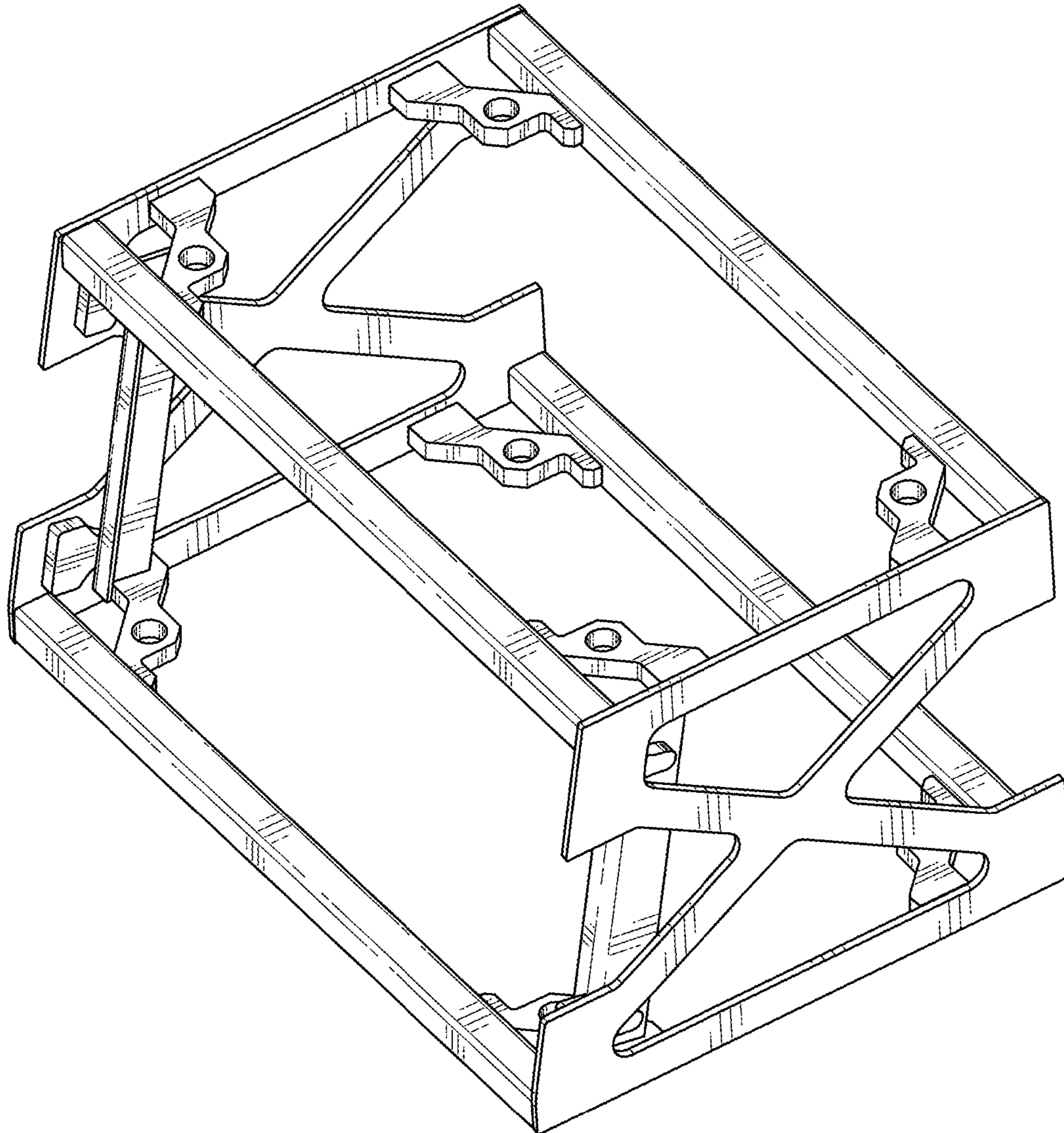


FIG. 9

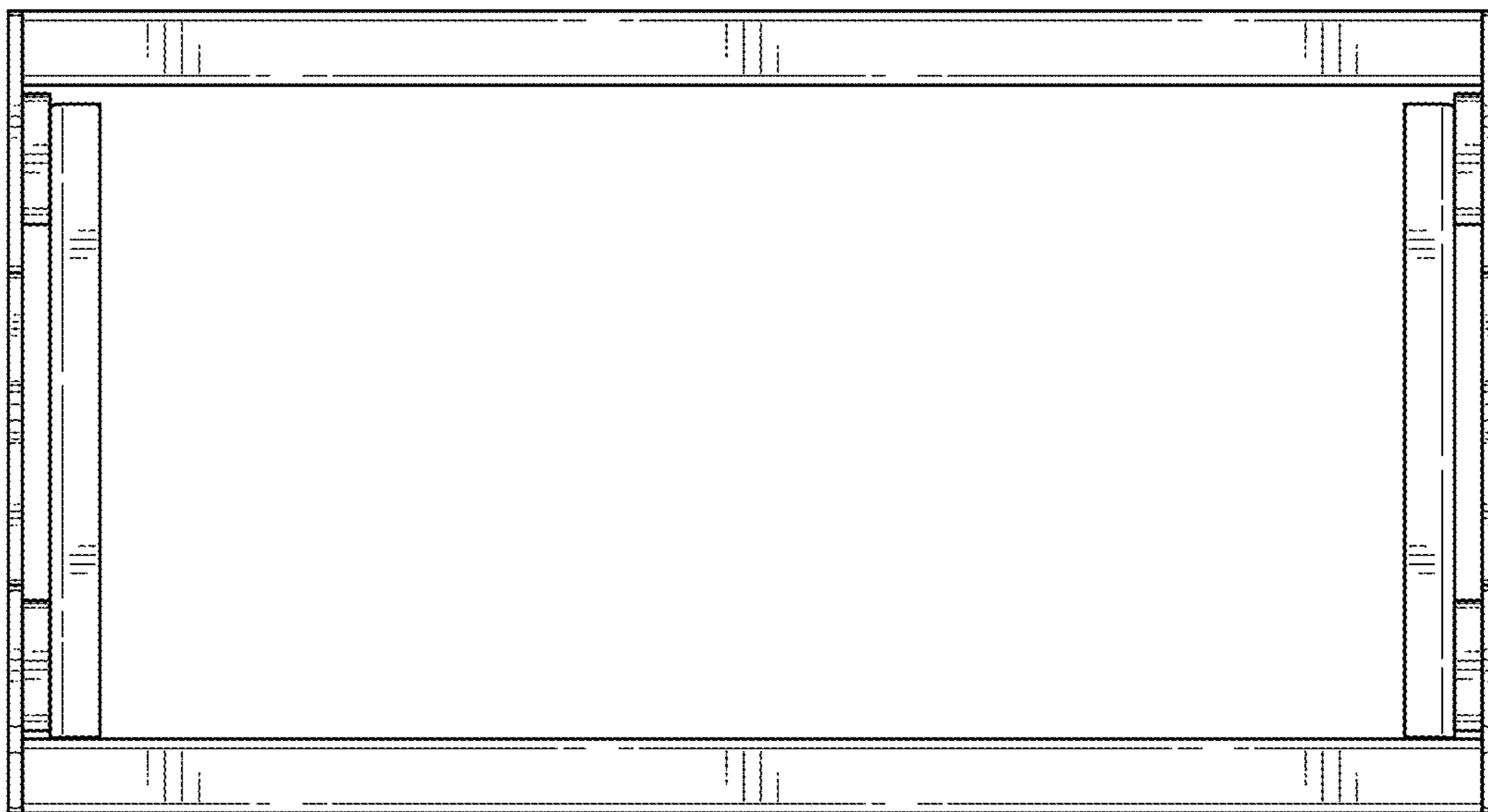


FIG. 10

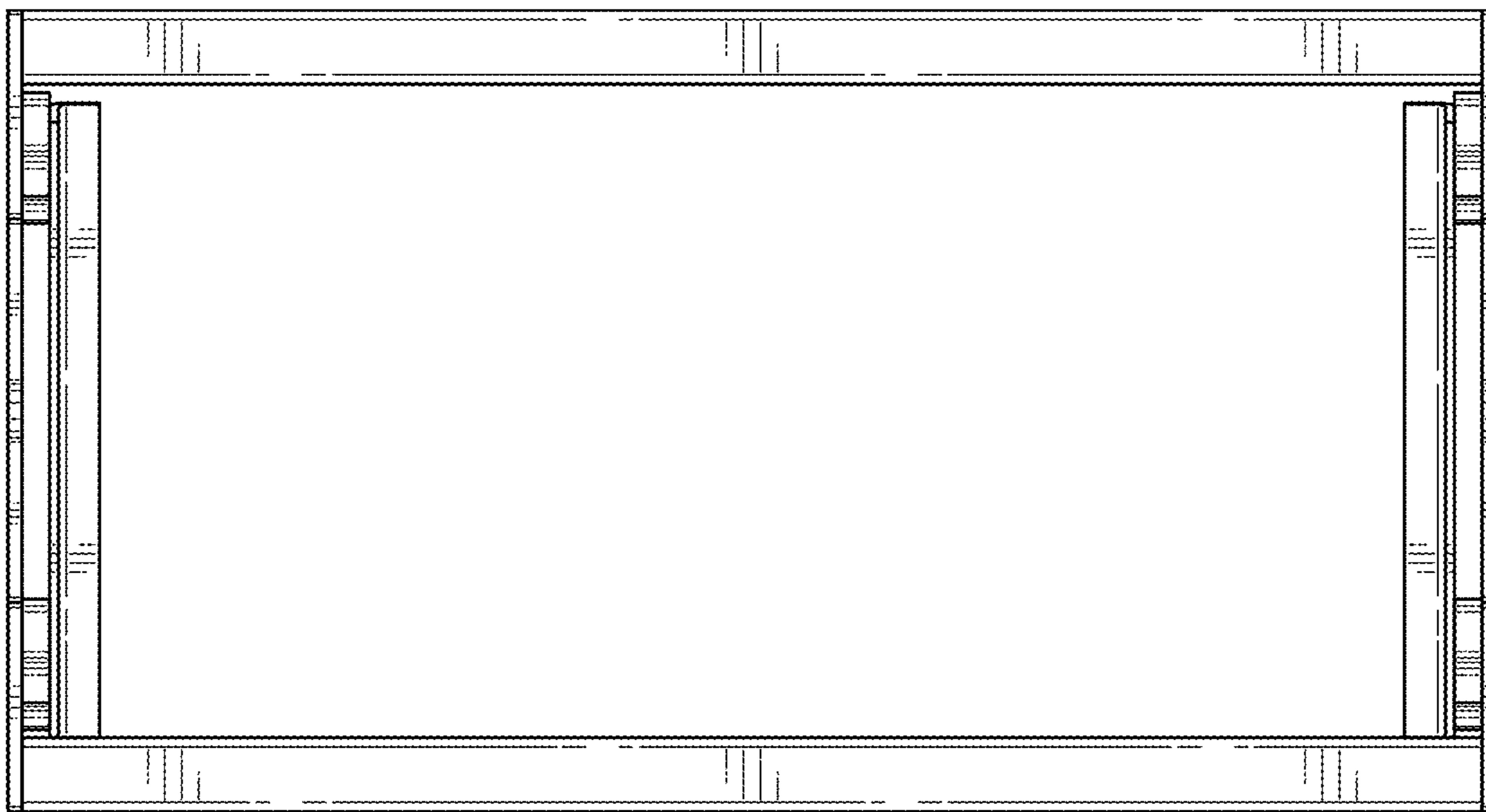


FIG. 11

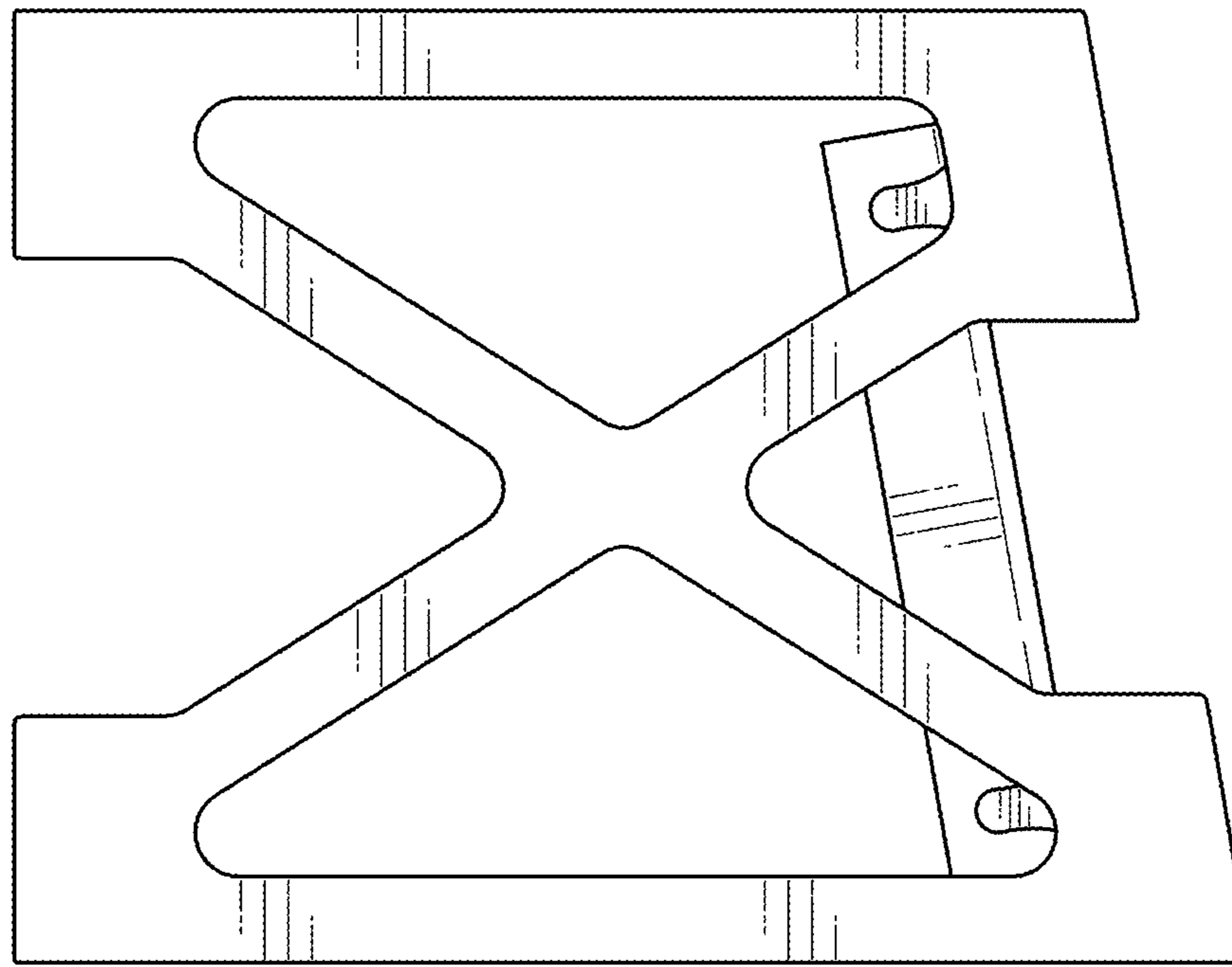


FIG. 12

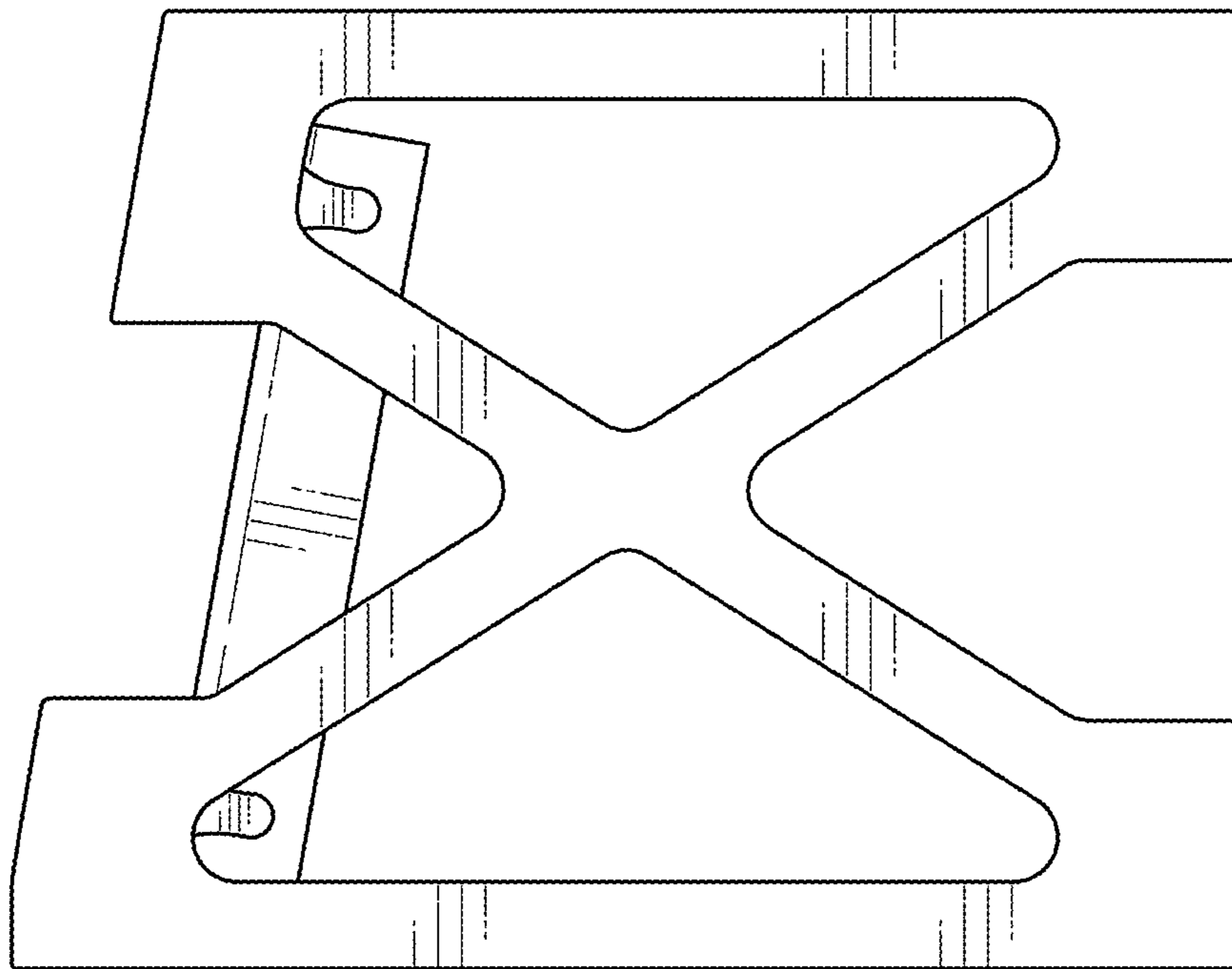


FIG. 13

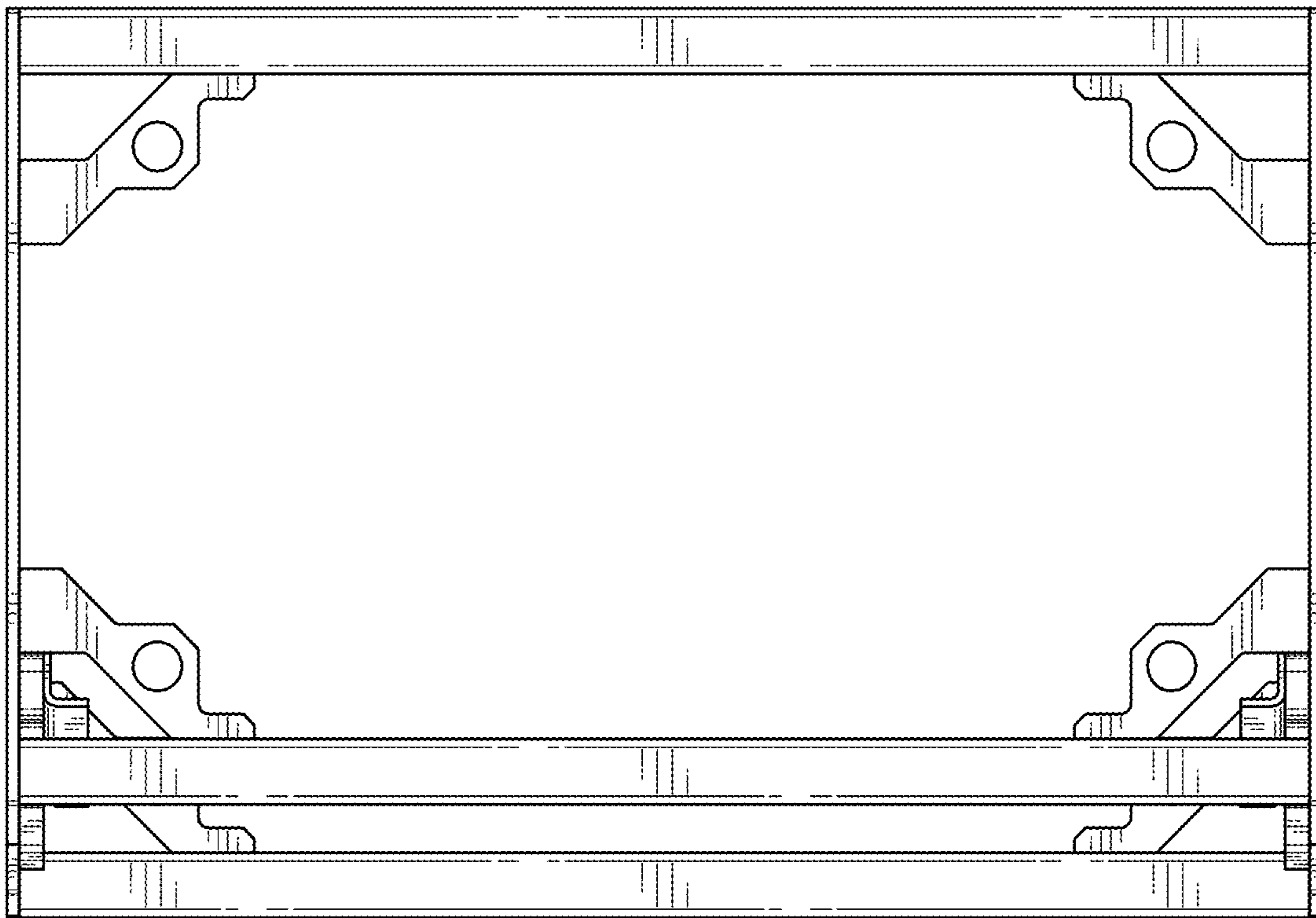


FIG. 14

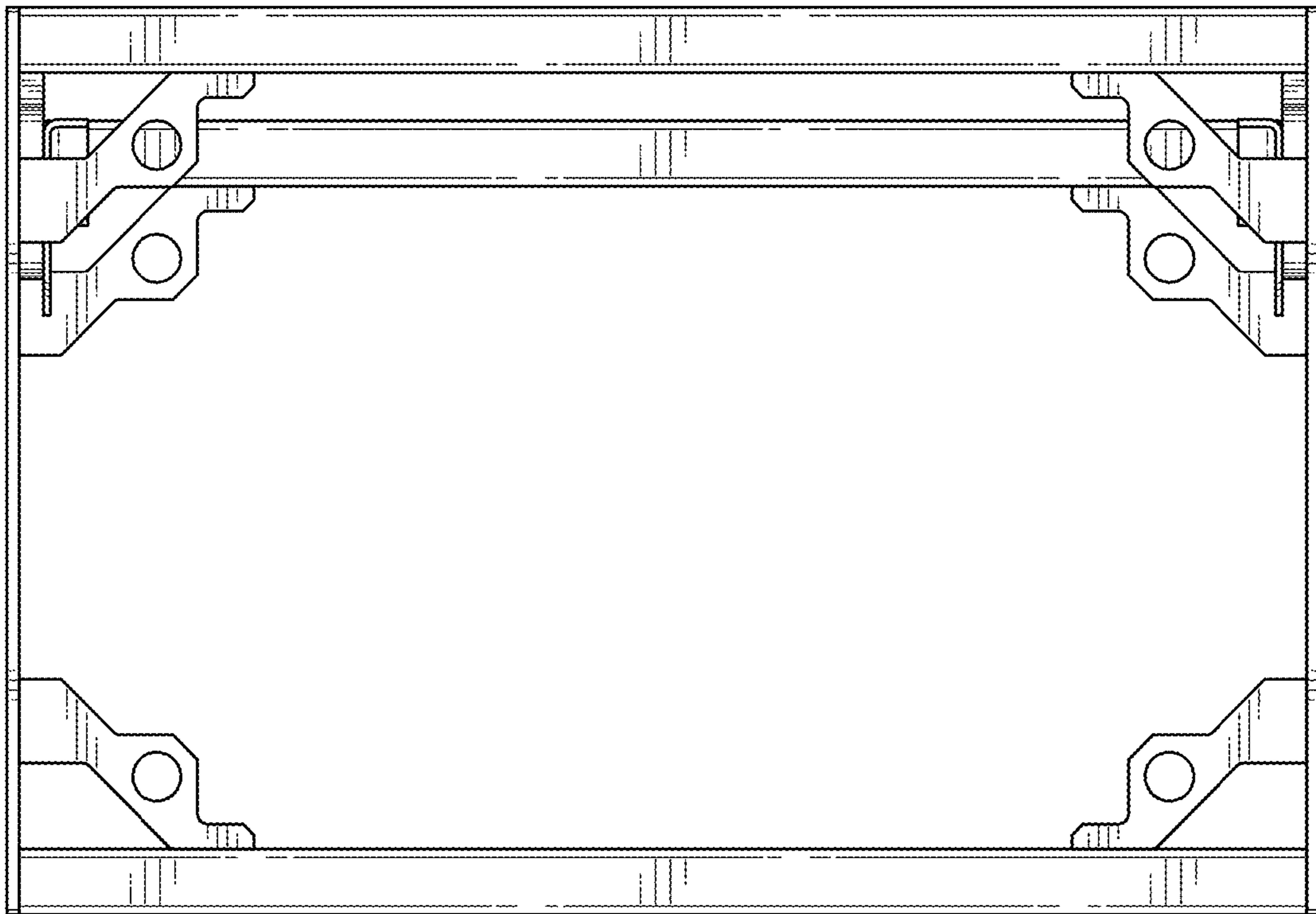


FIG. 15

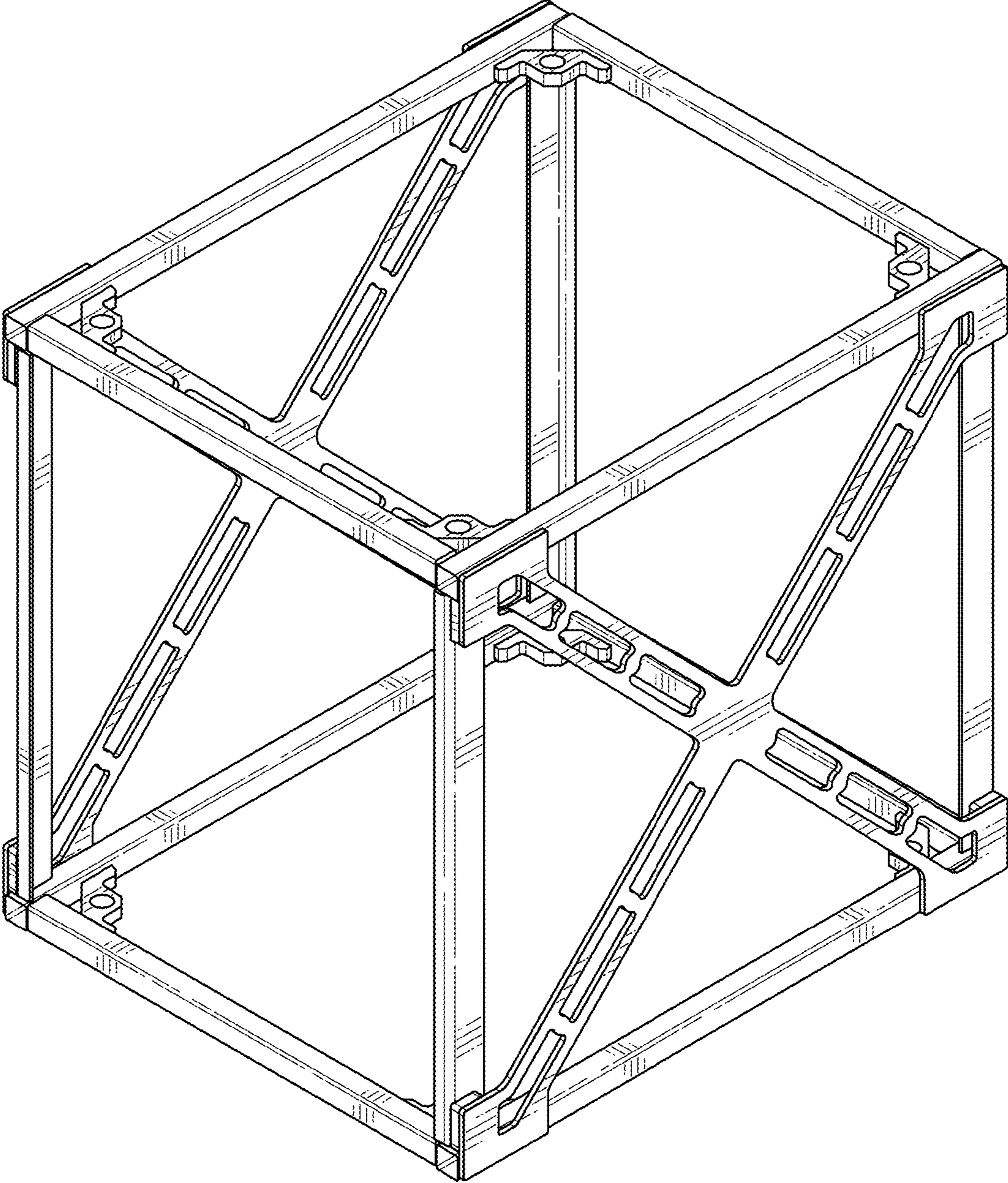


FIG. 16

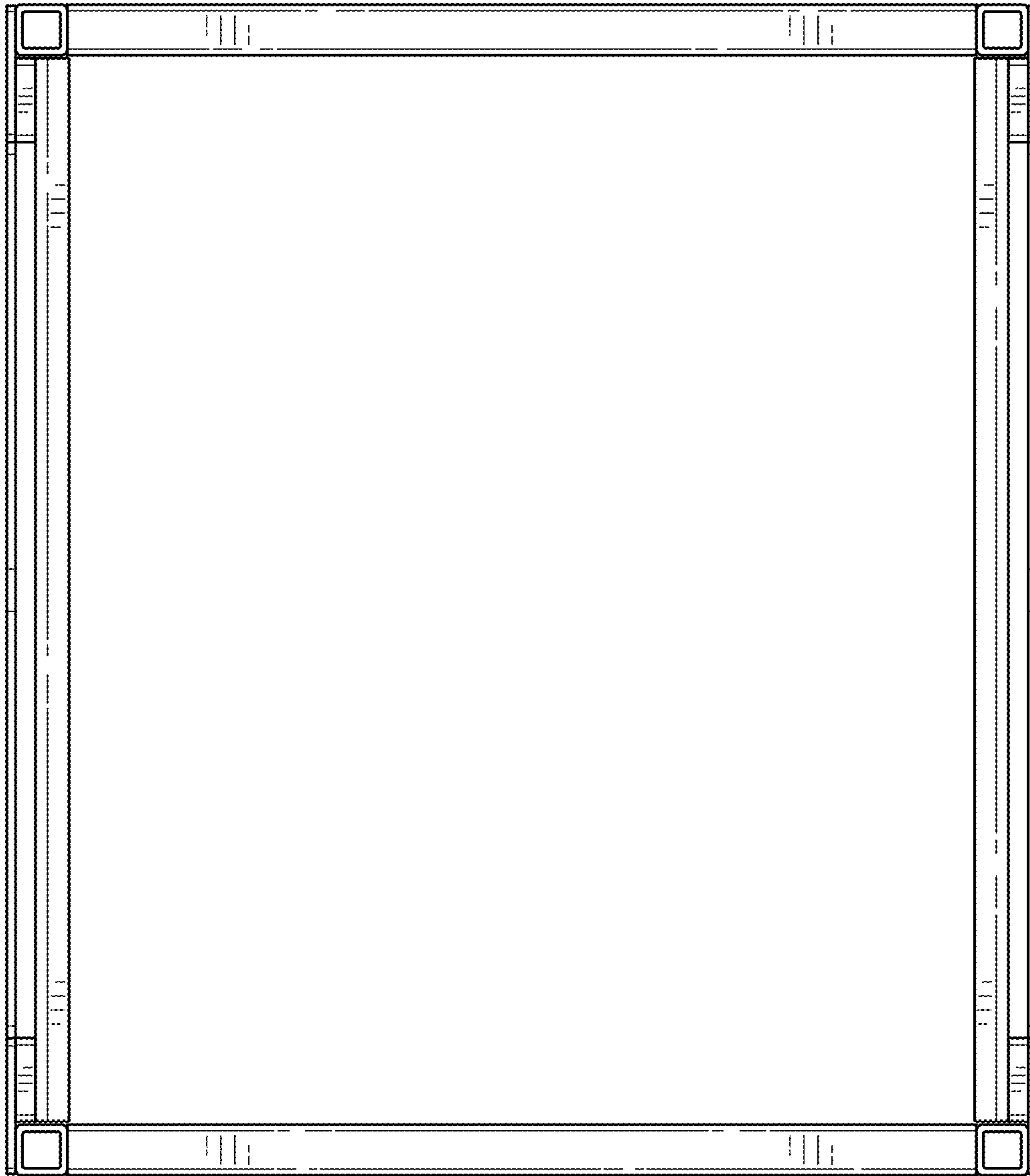


FIG. 17

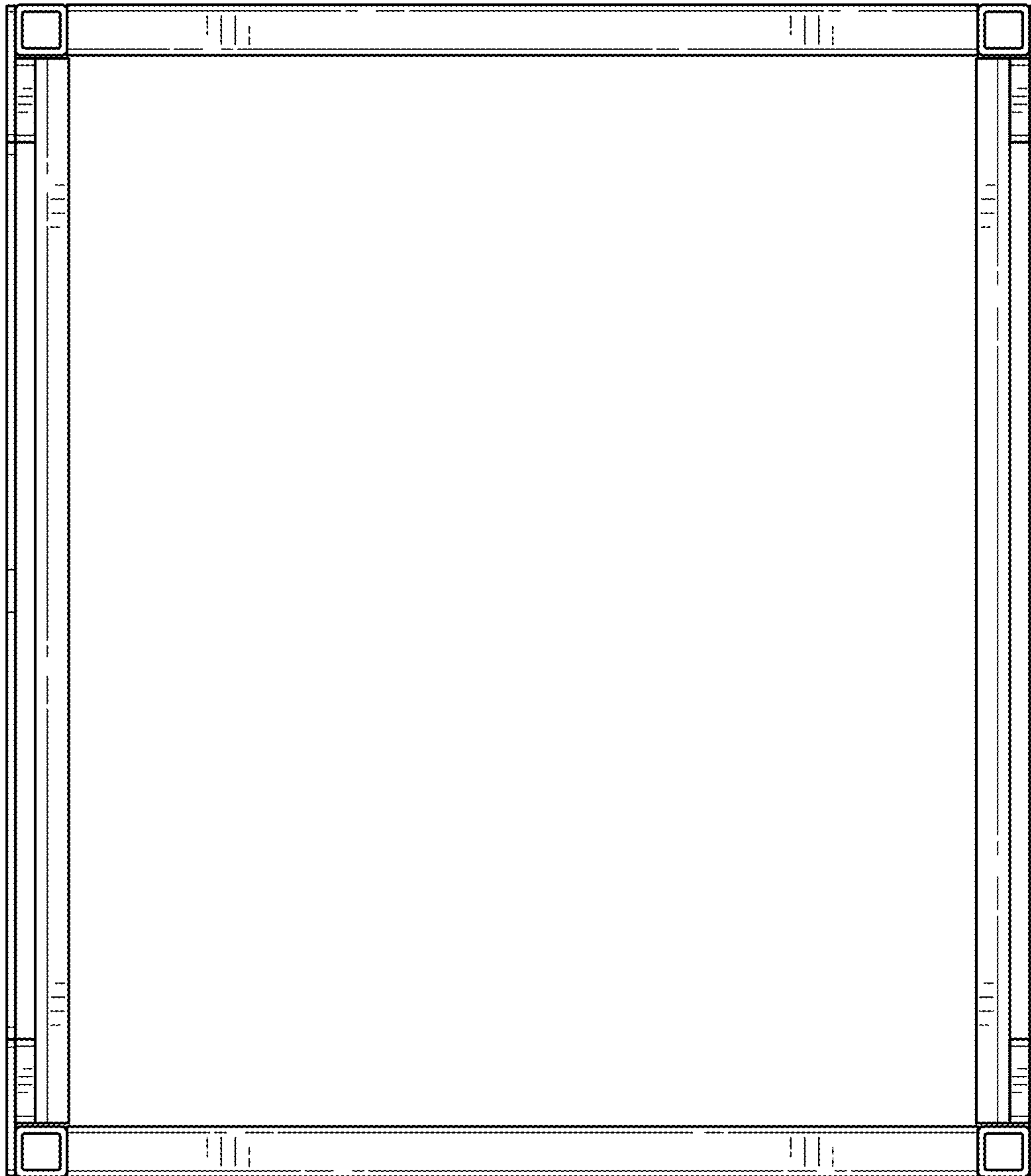


FIG. 18

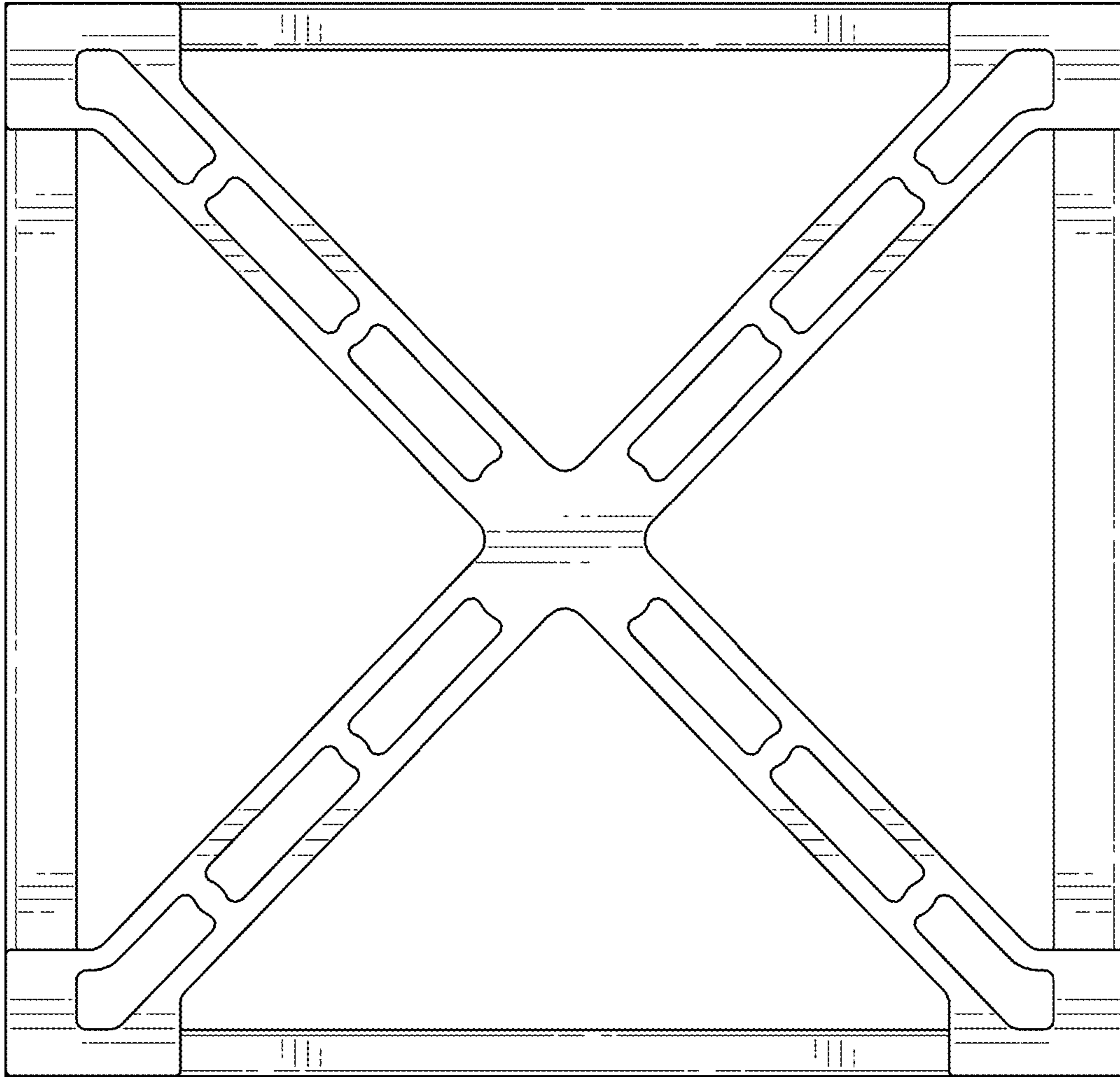


FIG. 19

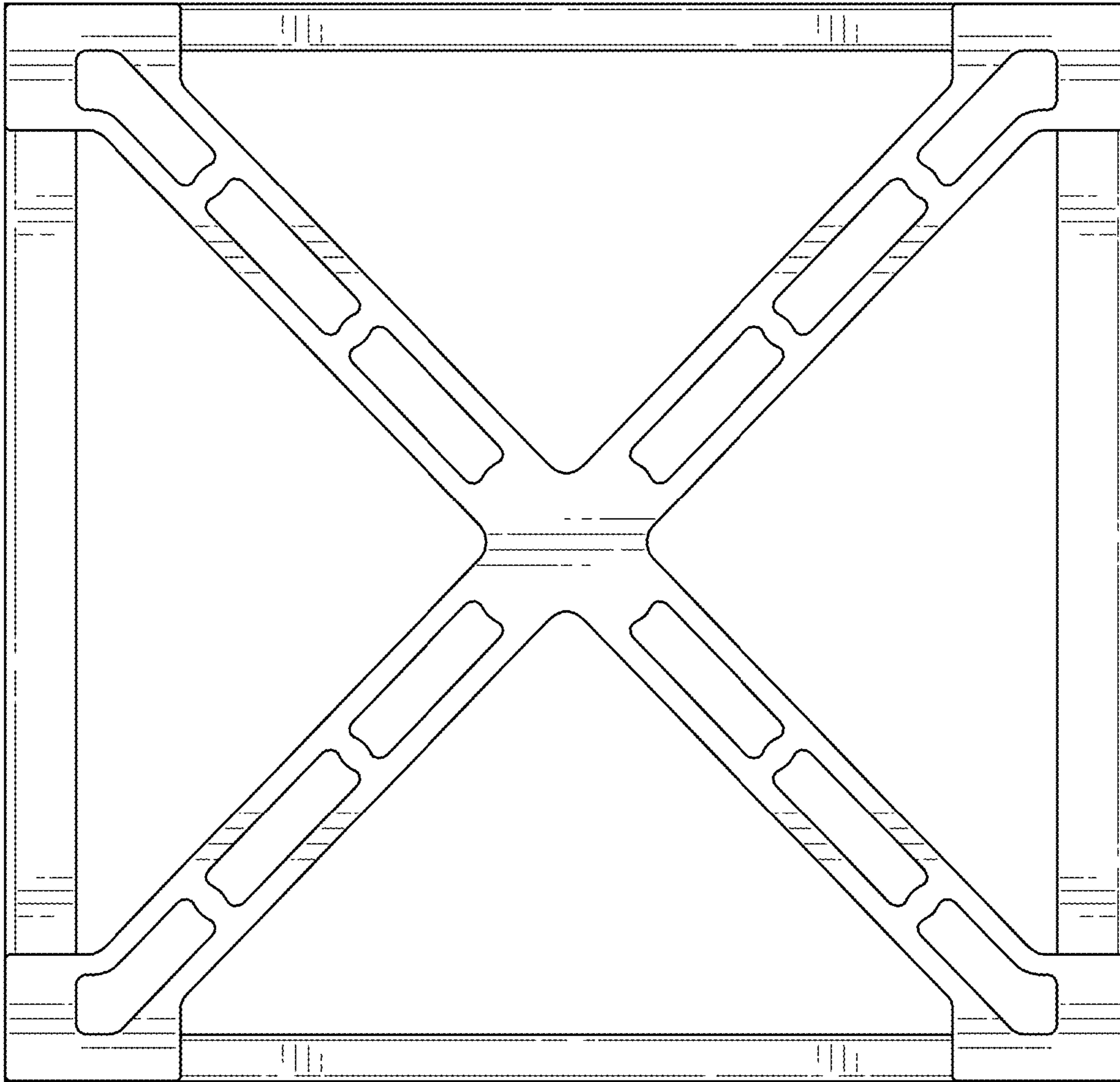


FIG. 20

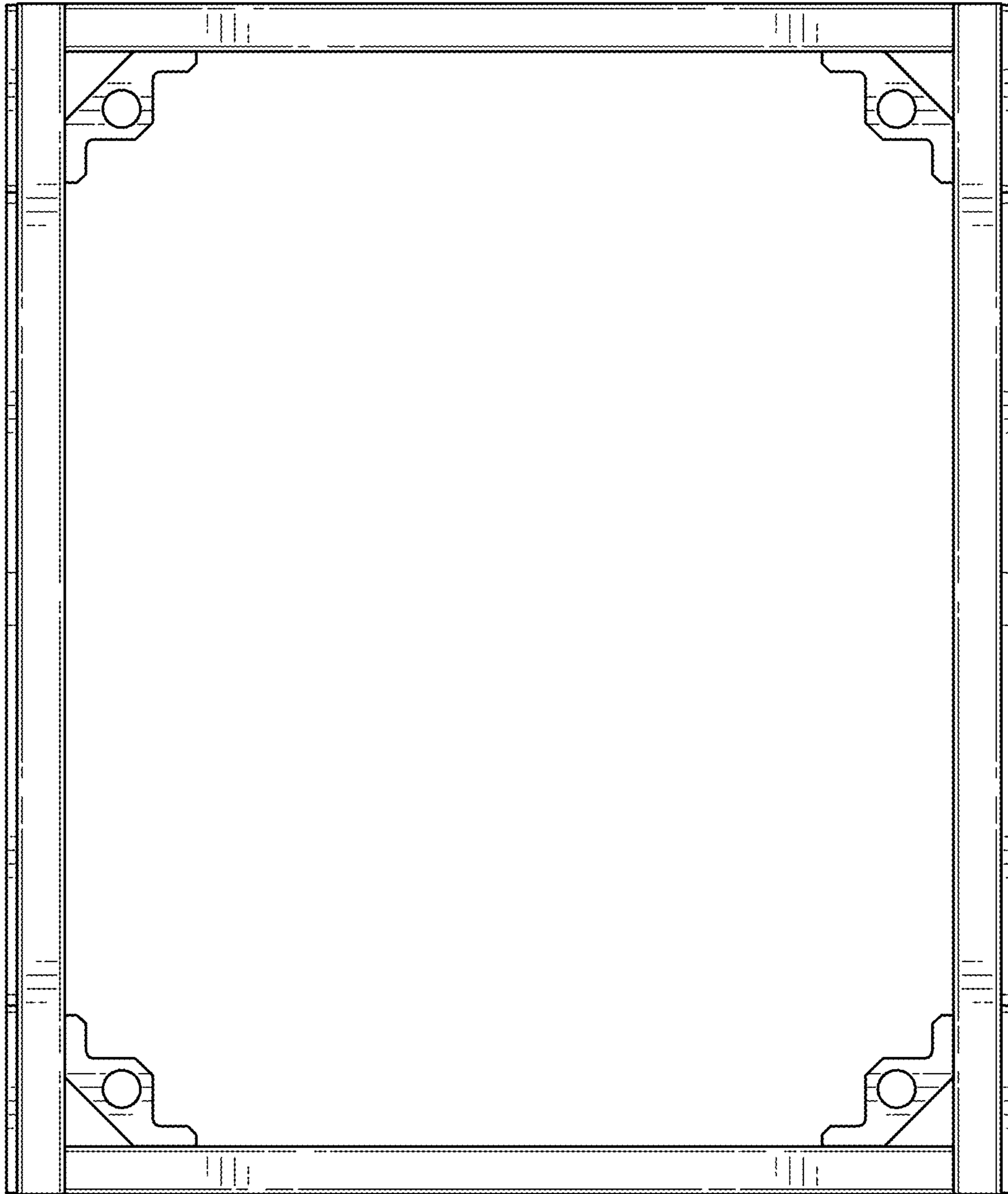


FIG. 21

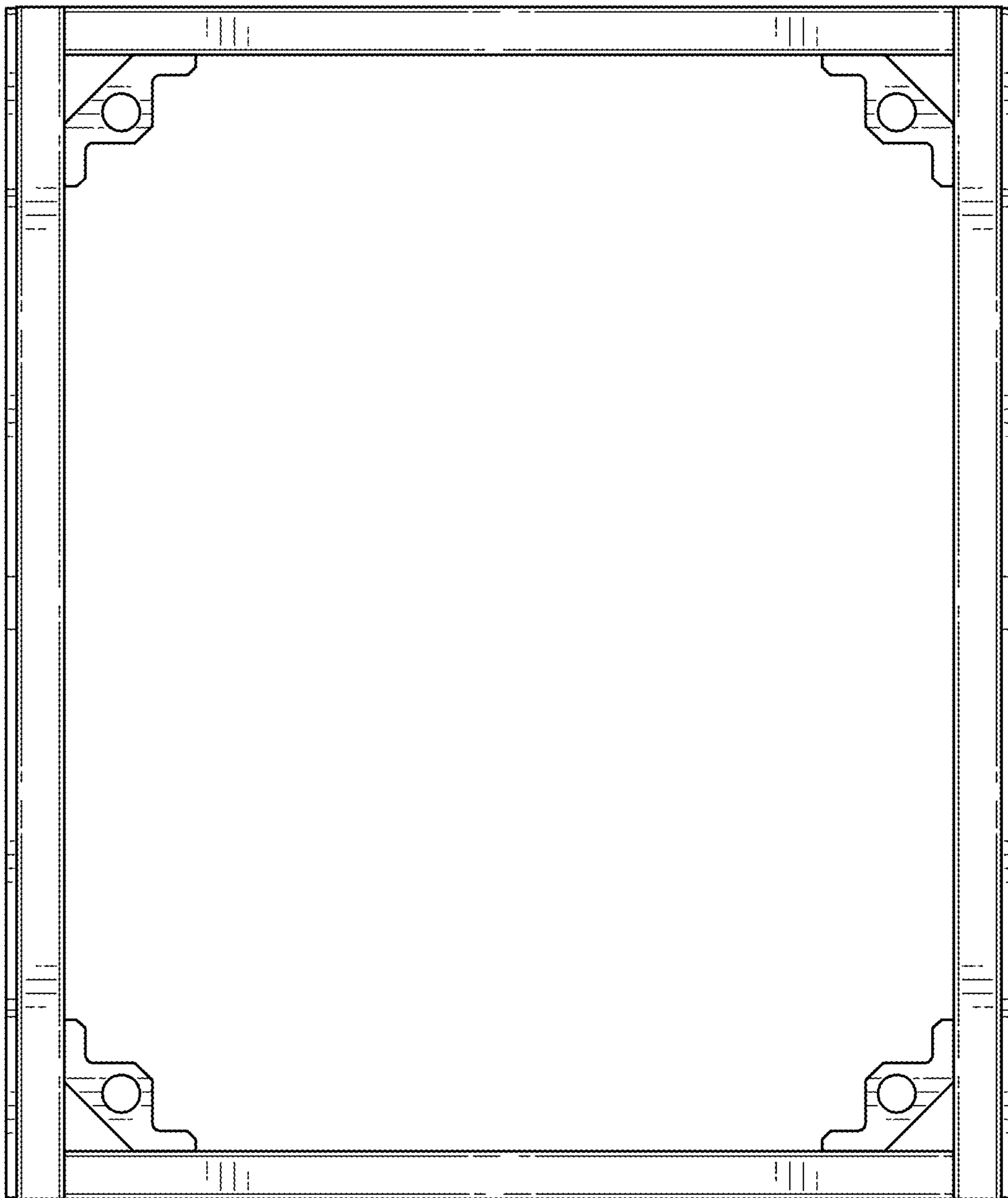


FIG. 22

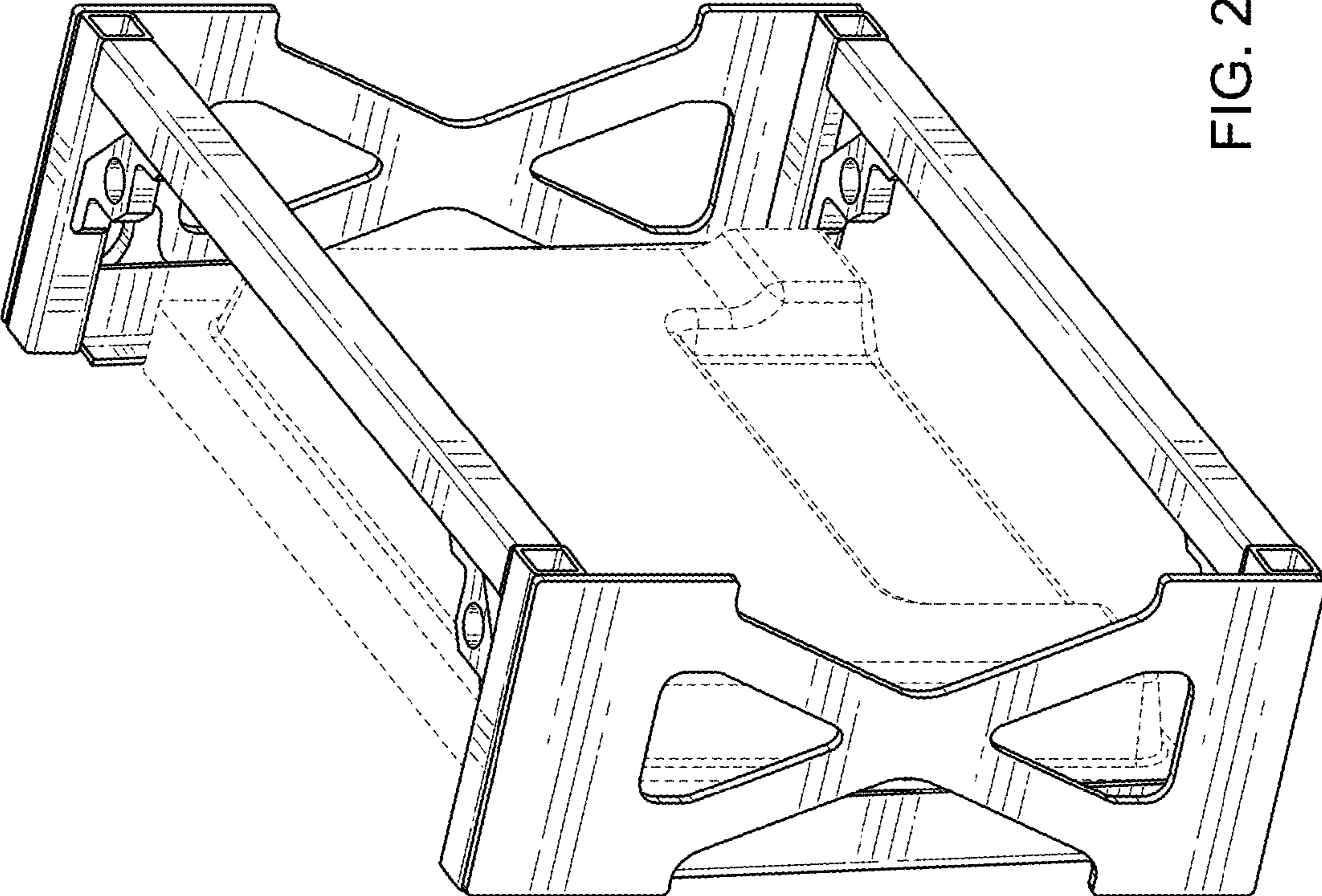


FIG. 23

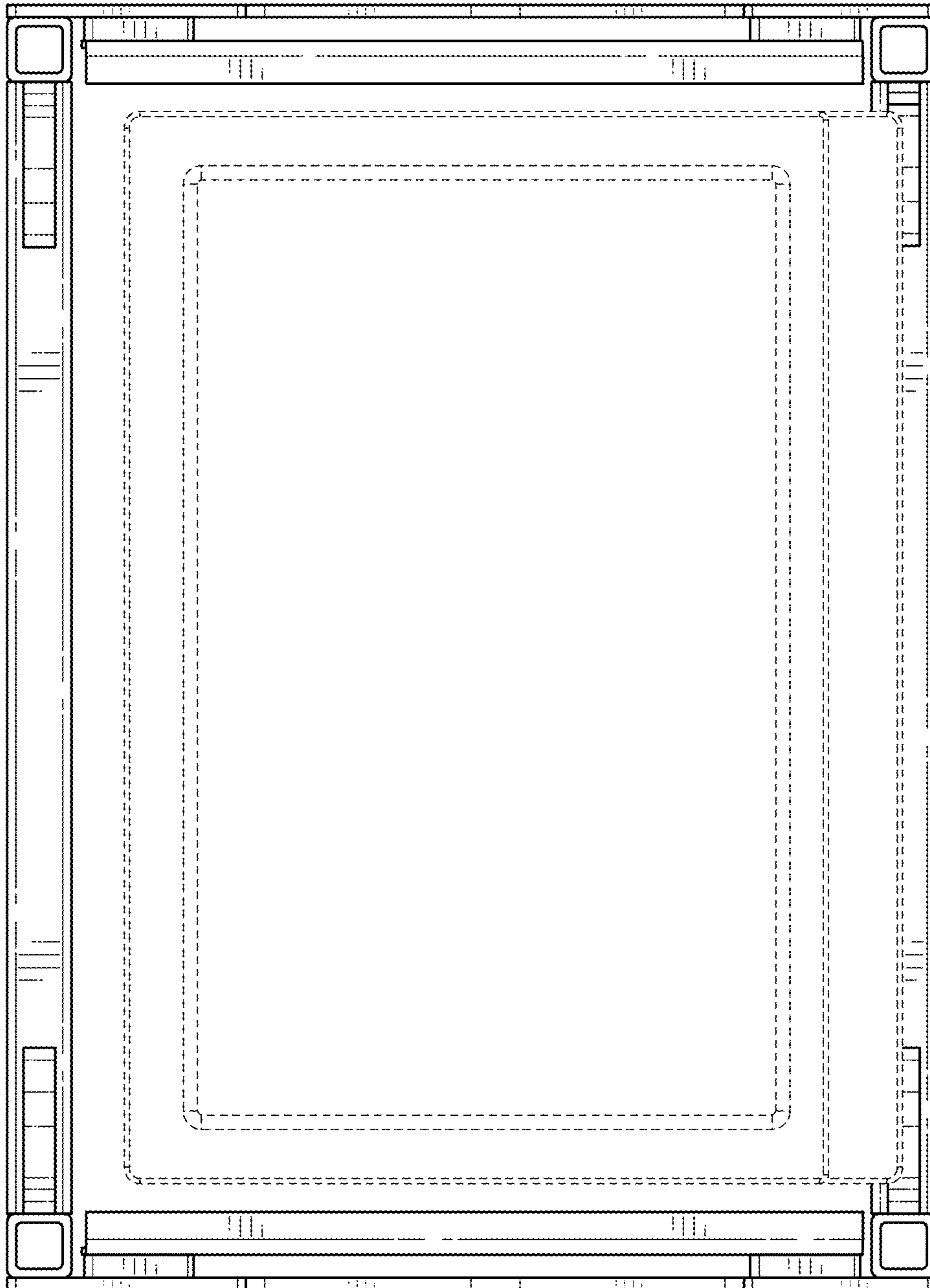


FIG. 24

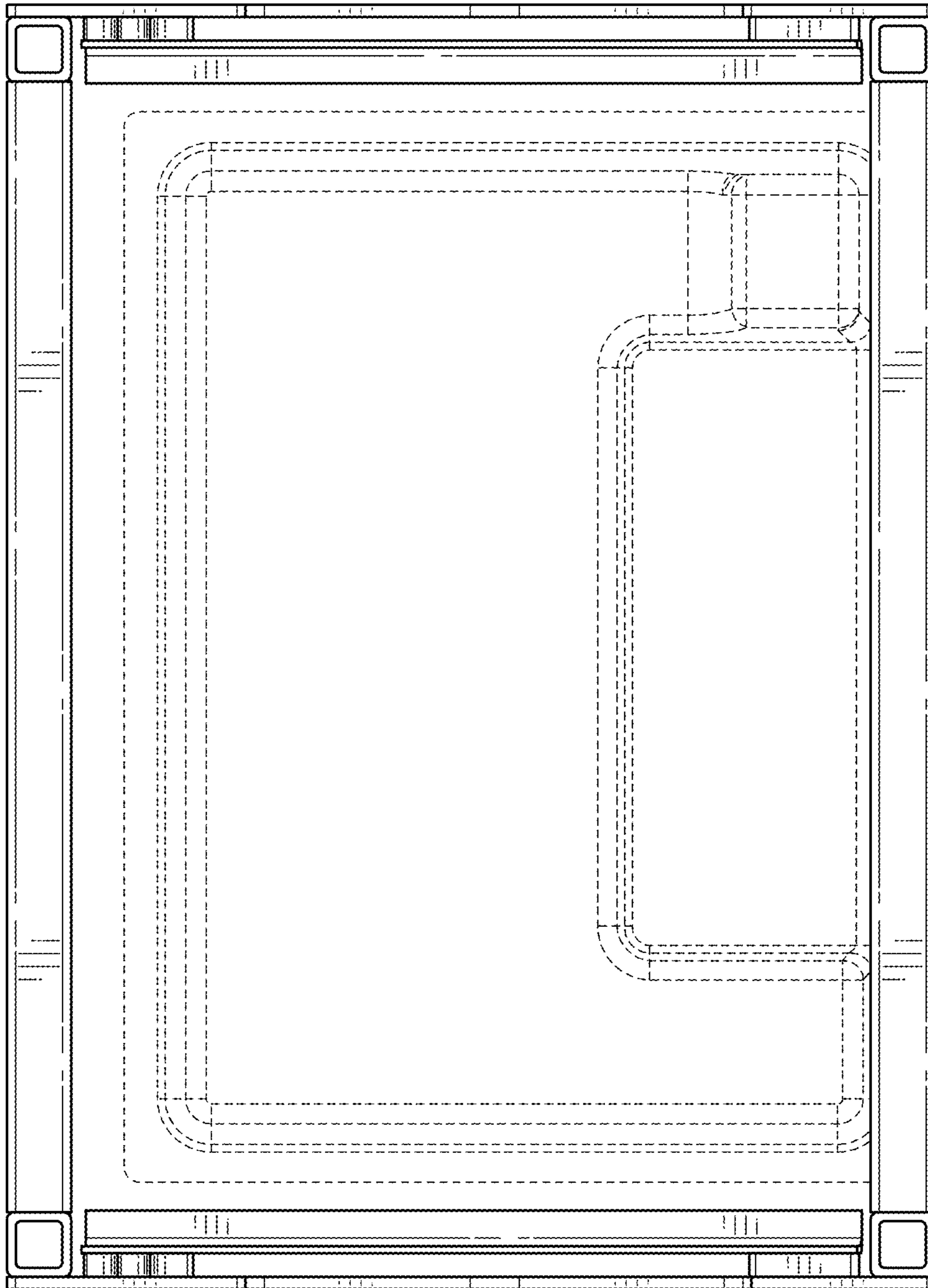


FIG. 25

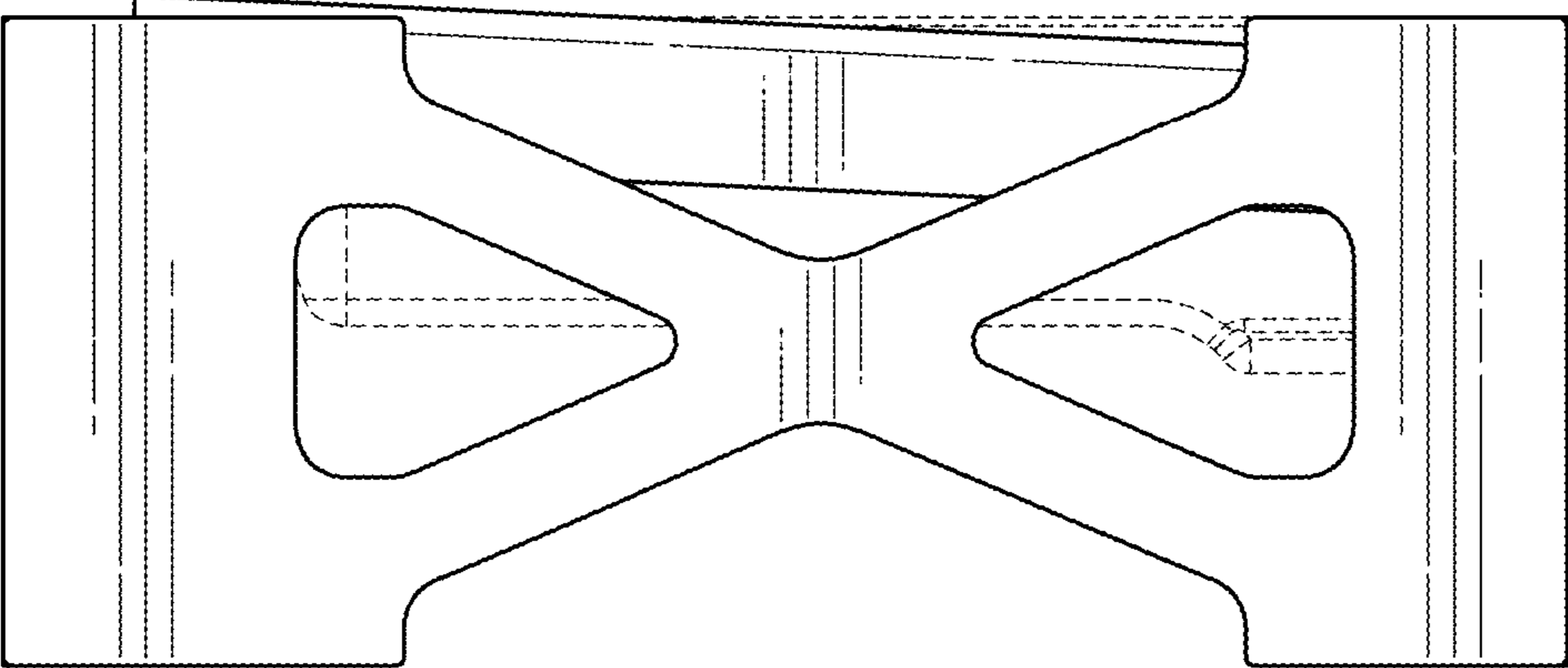


FIG. 26

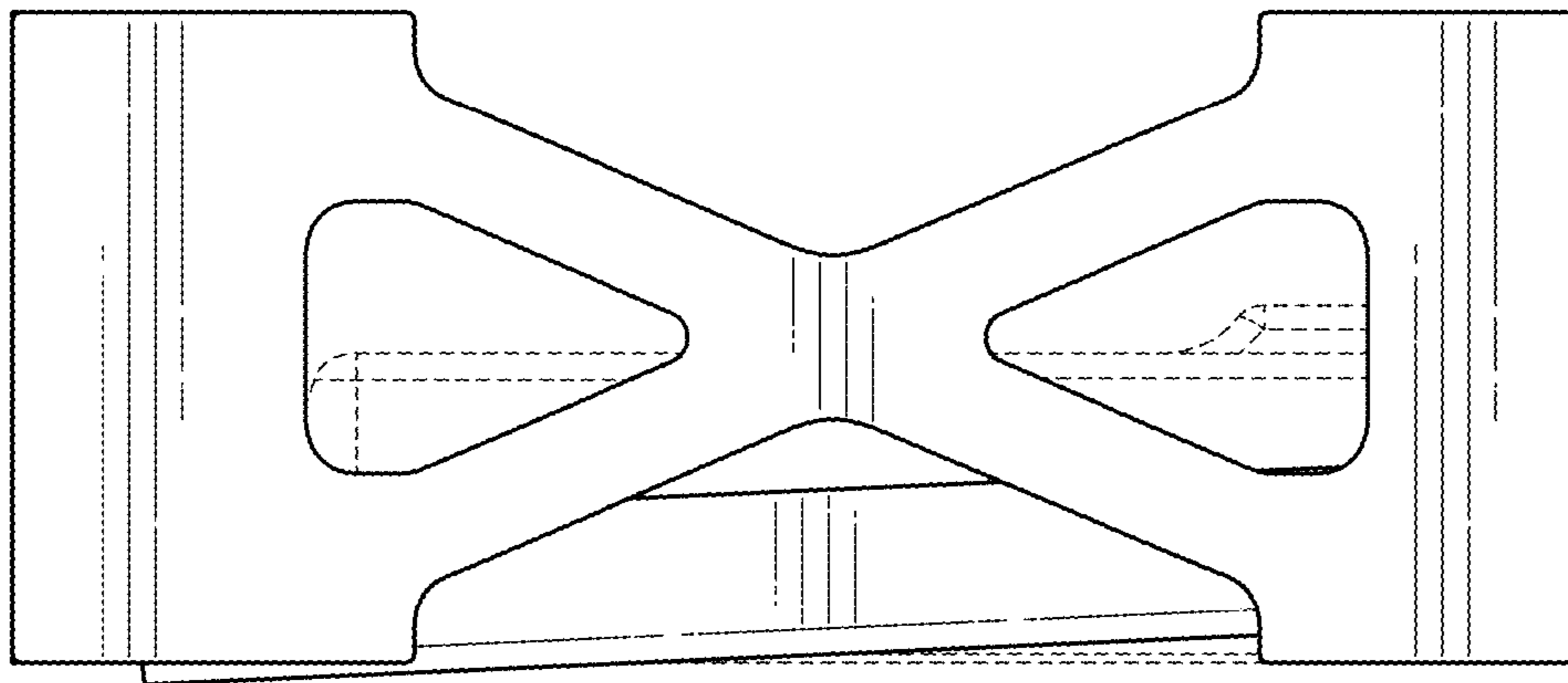


FIG. 27

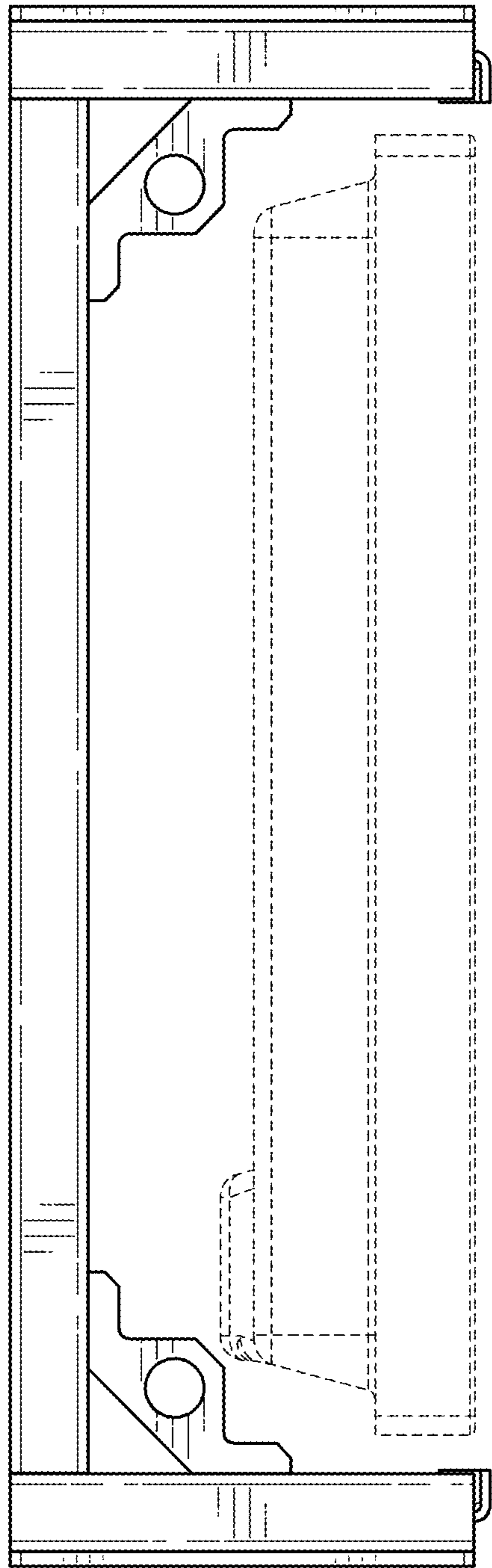


FIG. 28

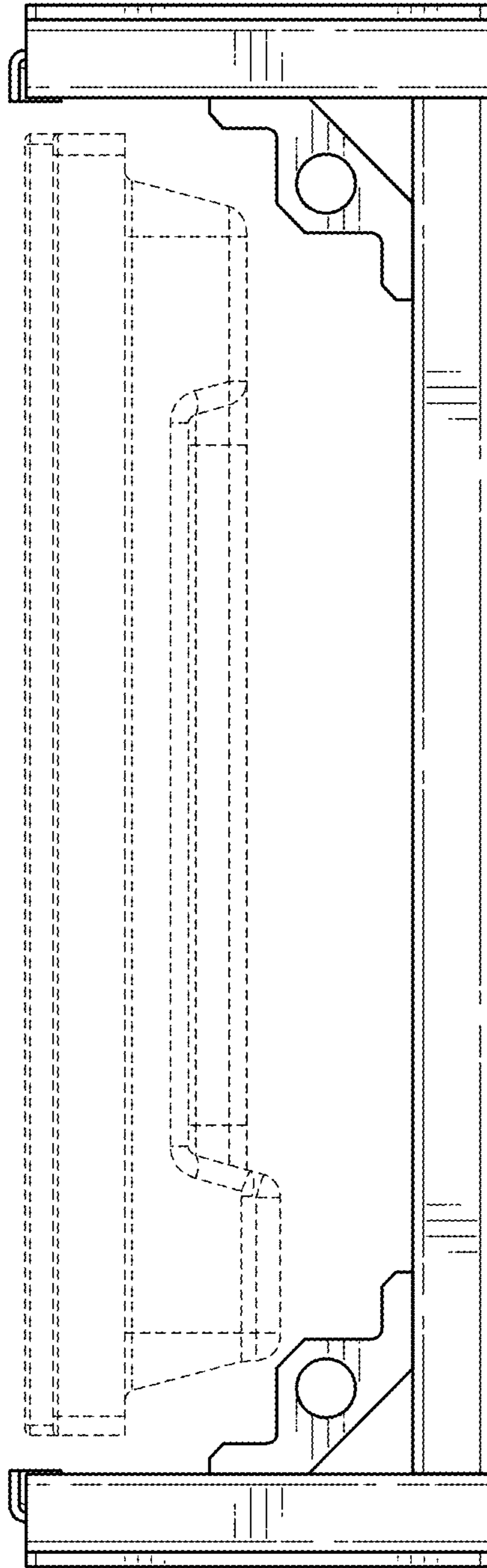


FIG. 29