



US00D774325S

(12) **United States Design Patent**
Belokin

(10) **Patent No.:** **US D774,325 S**

(45) **Date of Patent:** **** Dec. 20, 2016**

(54) **YOGURT DISPLAY SHELF**

(71) Applicant: **Displays by Martin Paul, Inc. -
Creative Center, Denton, TX (US)**

(72) Inventor: **Martin Belokin, Denton, TX (US)**

(73) Assignee: **DISPLAYS BY MARTIN PAUL,
INC.—CREATIVE CENTER, Denton,
TX (US)**

(**) Term: **15 Years**

(21) Appl. No.: **29/532,763**

(22) Filed: **Jul. 9, 2015**

(51) **LOC (10) Cl.** **06-04**

(52) **U.S. Cl.**
USPC **D6/571**

(58) **Field of Classification Search**
USPC D6/571, 512, 567, 574; D7/523, 550.1,
D7/553.2–553.5, 600.1, 601–602, 707;
206/320, 349, 427, 429; 211/13.1, 71.01,
211/75, 85.13, 86.01, 90.01, 126.1, 134;
248/309.1, 311.2, 312
CPC B25H 3/00; B25H 3/04; B25H 3/06;
B65D 1/34

See application file for complete search history.

(56) **References Cited**

U.S. PATENT DOCUMENTS

5,358,128 A * 10/1994 Belokin A47B 73/008
211/75
D381,515 S * 7/1997 Haynes D24/224

D458,092 S * 6/2002 Rumpf D6/574
D487,005 S * 2/2004 Schuler D7/553.4
D494,399 S * 8/2004 Rodriguez D6/567
D723,712 S * 3/2015 Tajima D24/227
2007/0023371 A1* 2/2007 Noga B25H 3/04
211/75
2015/0014199 A1* 1/2015 Bentley B65D 73/0028
206/427

* cited by examiner

Primary Examiner — Wan Laymon
Assistant Examiner — Mark Booker

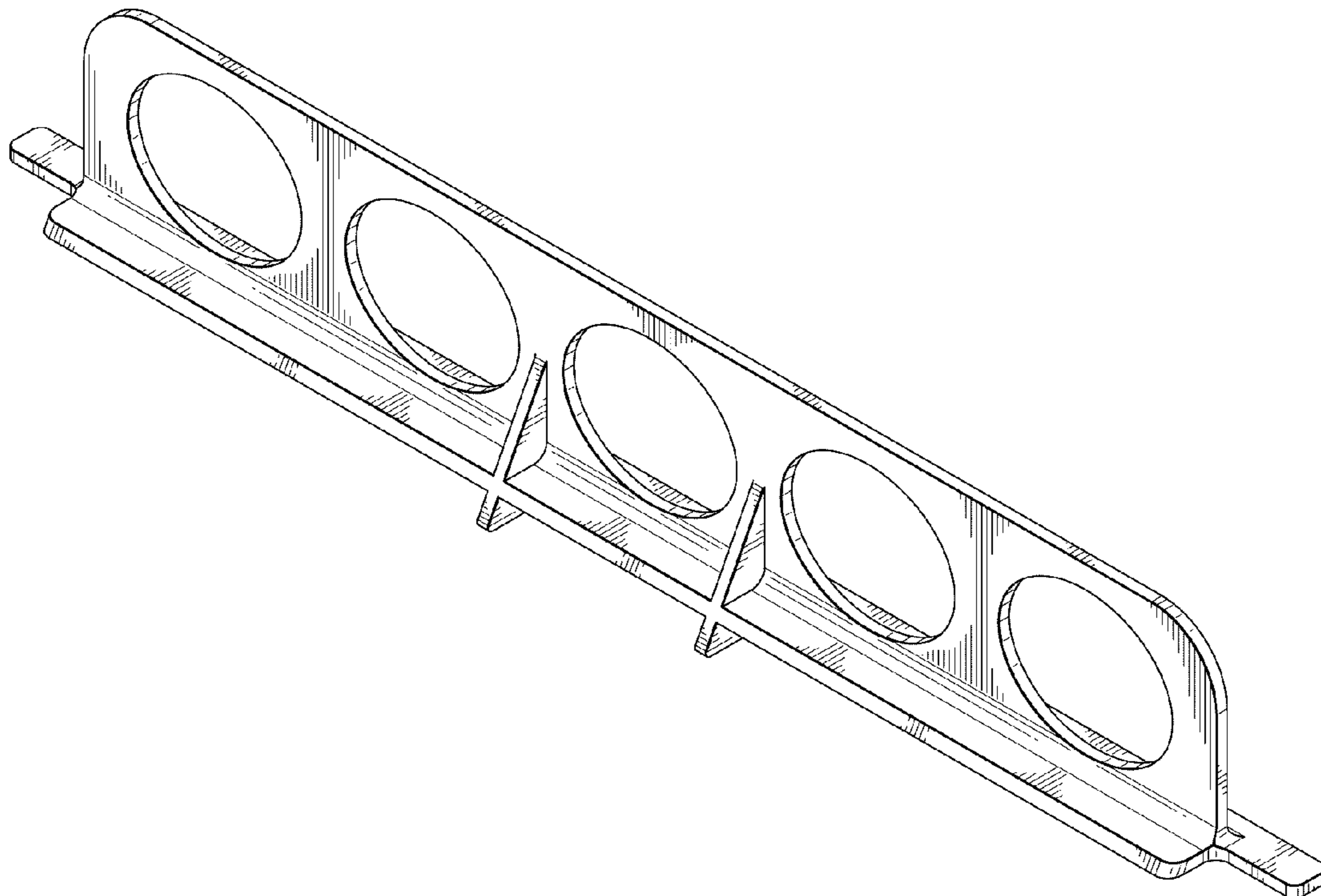
(57) **CLAIM**

The ornamental design for a yogurt display shelf, as shown and described.

DESCRIPTION

FIG. 1 is a bottom perspective view of a yogurt display shelf according to the present design;
FIG. 2 is a bottom view of the design of FIG. 1;
FIG. 3 is a top view of the design of FIG. 1;
FIG. 4 is a left side view of the design of FIG. 1;
FIG. 5 is a right side view of the design of FIG. 1;
FIG. 6 is a front view of the design of FIG. 1; and,
FIG. 7 is a back view of the design of FIG. 1.

1 Claim, 4 Drawing Sheets



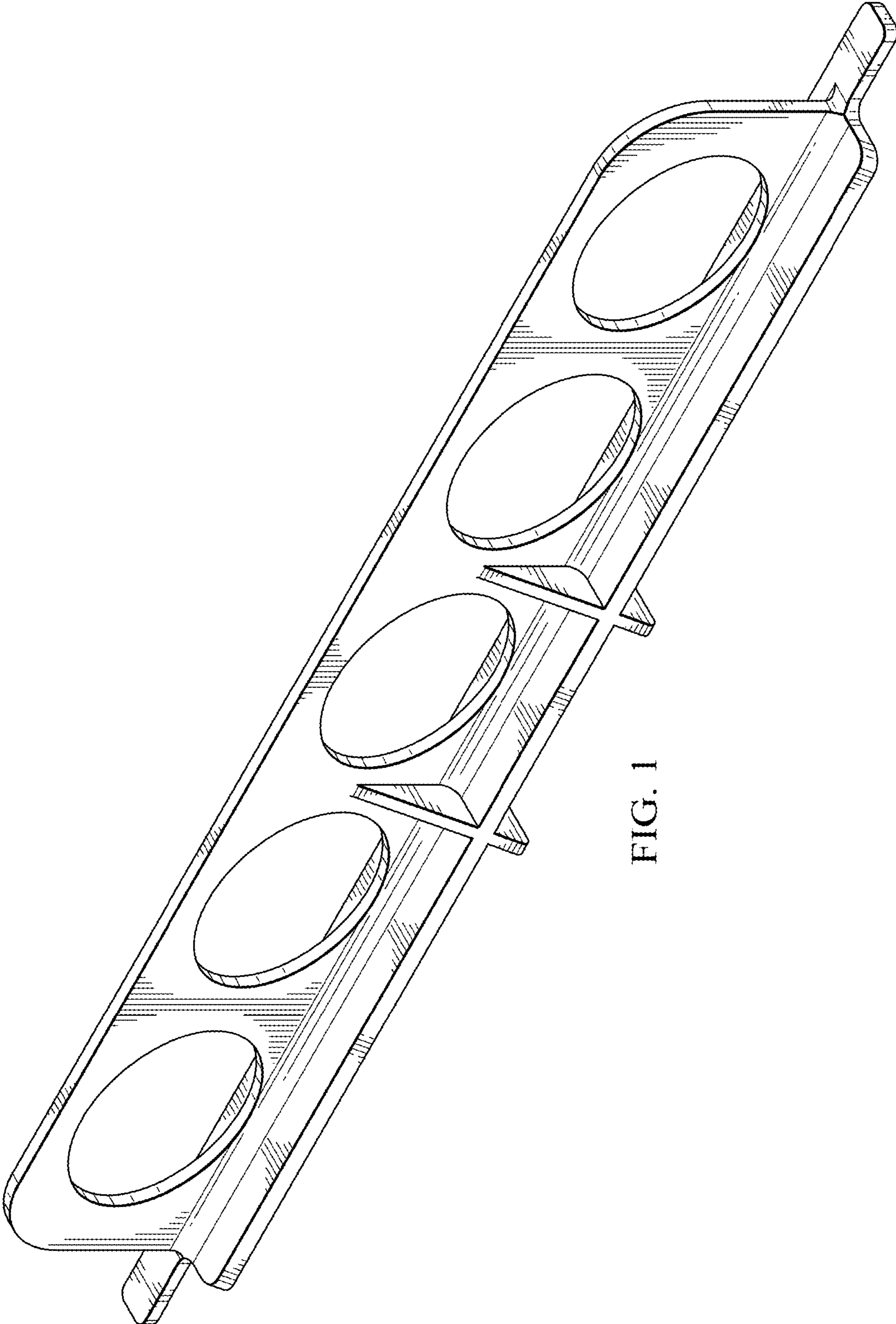


FIG. 1

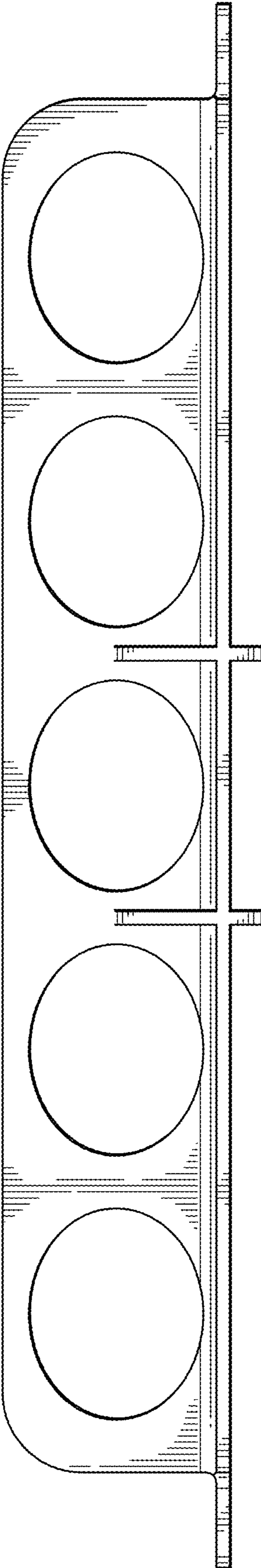


FIG. 2

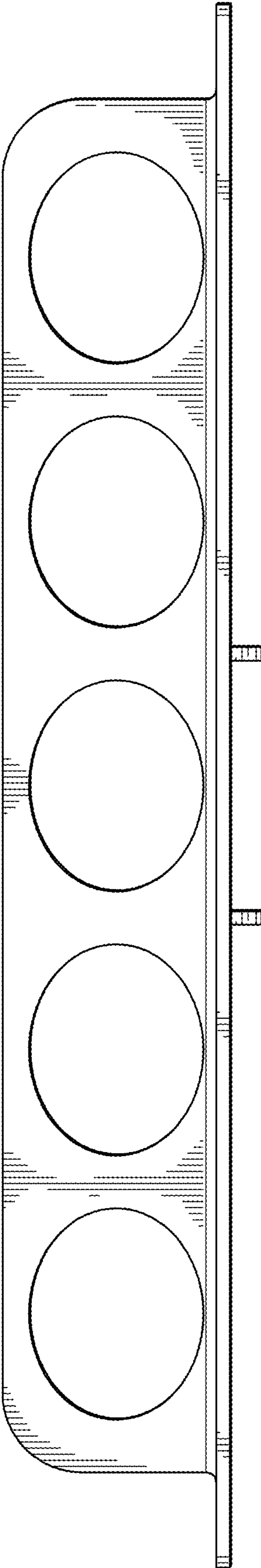


FIG. 3

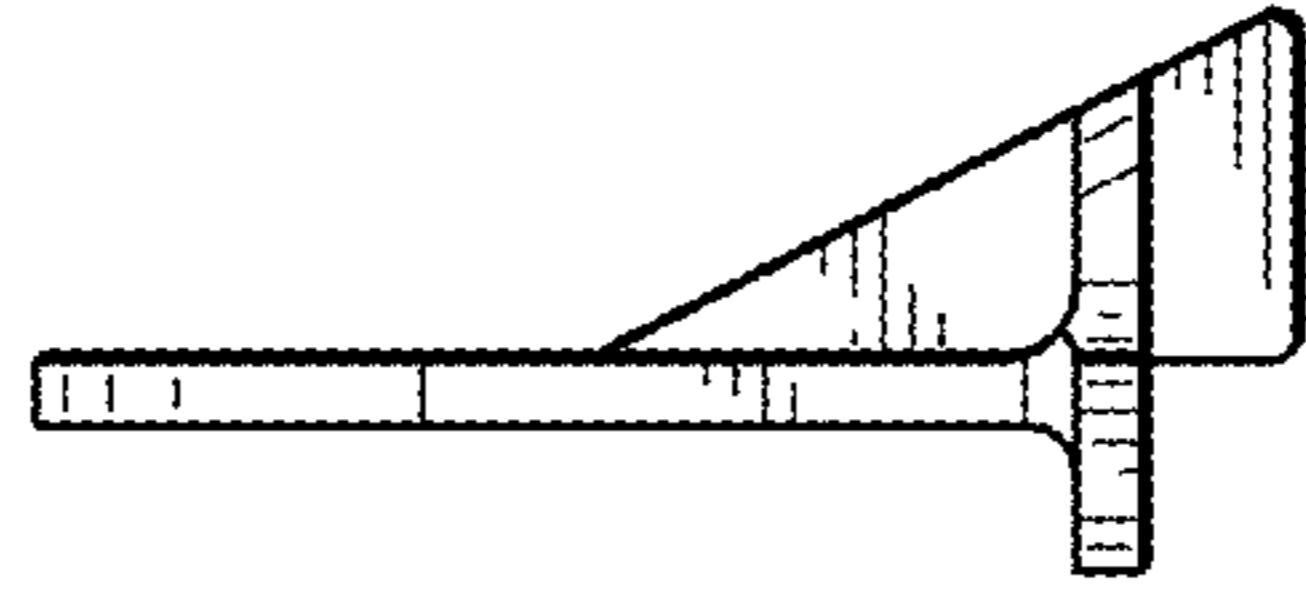


FIG. 5

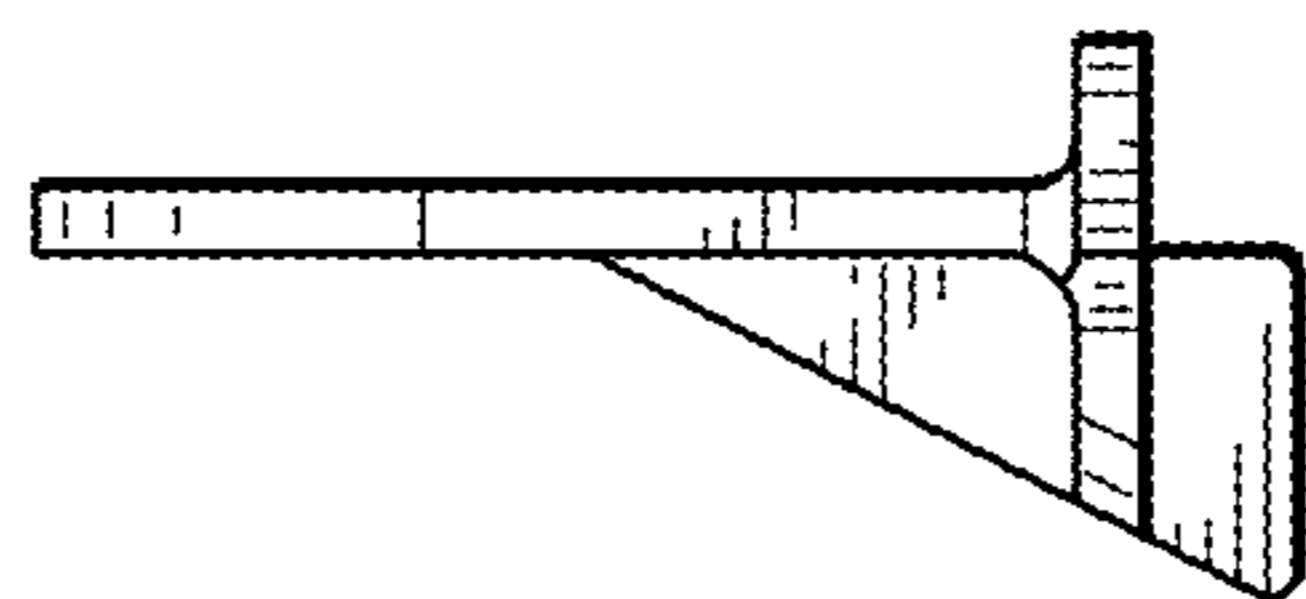


FIG. 4

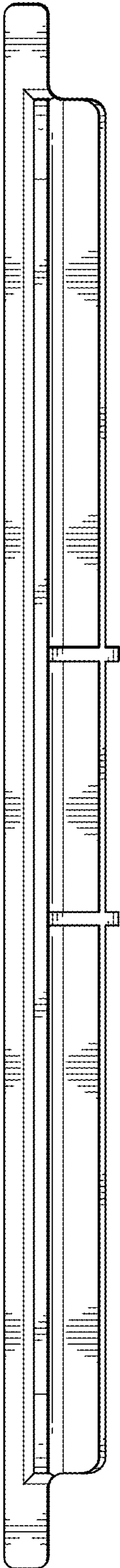


FIG. 6

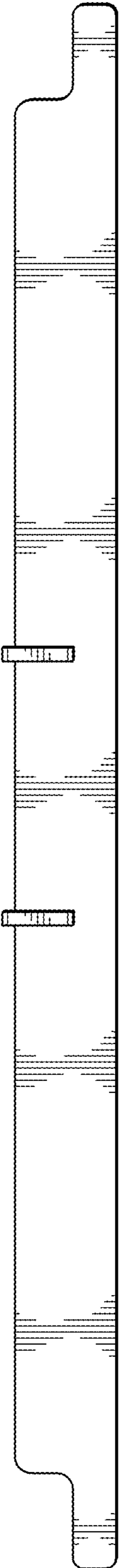


FIG. 7