



US00D774324S

(12) **United States Design Patent**
Gilbert

(10) **Patent No.:** **US D774,324 S**
(45) **Date of Patent:** **** Dec. 20, 2016**

(54) **RECORD WALL PLAQUE/GUITAR HOLDER**

(71) Applicant: **Andrew Gilbert**, los angeles, CA (US)

(72) Inventor: **Andrew Gilbert**, los angeles, CA (US)

(**) Term: **14 Years**

(21) Appl. No.: **29/494,879**

(22) Filed: **Jun. 25, 2014**

(51) **LOC (10) Cl.** **06-04**

(52) **U.S. Cl.**
USPC **D6/563; D6/572**

(58) **Field of Classification Search**
USPC ... D6/553, 567, 570, 572; 211/4, 13.1, 85.6,
211/113, 60.1, 89.01; 248/110, 113, 200,
248/305, 222.11, 309.1
CPC G10G 5/00; G10G 5/005; A47F 7/00;
G10D 3/00

See application file for complete search history.

(56) **References Cited**

U.S. PATENT DOCUMENTS

D283,786 S *	5/1986	Chap	D6/572
D292,043 S *	9/1987	Billiet	D6/300
D308,782 S *	6/1990	Getsi	D6/552
D329,349 S *	9/1992	Moreno	D6/567
5,346,168 A *	9/1994	Astrella	G10G 5/00 248/113

5,372,346 A *	12/1994	Upchurch	F16B 21/04 248/222.52
5,645,256 A *	7/1997	Thomas, II	G10G 5/00 248/222.11
6,204,440 B1 *	3/2001	Yu	G10G 5/00 248/220.41
D500,964 S *	1/2005	Lach	D11/131
7,090,085 B1 *	8/2006	Vicendese	A47F 5/08 211/106.01
D550,015 S *	9/2007	Thrall	D6/572
D595,077 S *	6/2009	Tai	D6/570
D652,517 S *	1/2012	Weaver	D24/134

* cited by examiner

Primary Examiner — David Muller
Assistant Examiner — Nathan Johnston

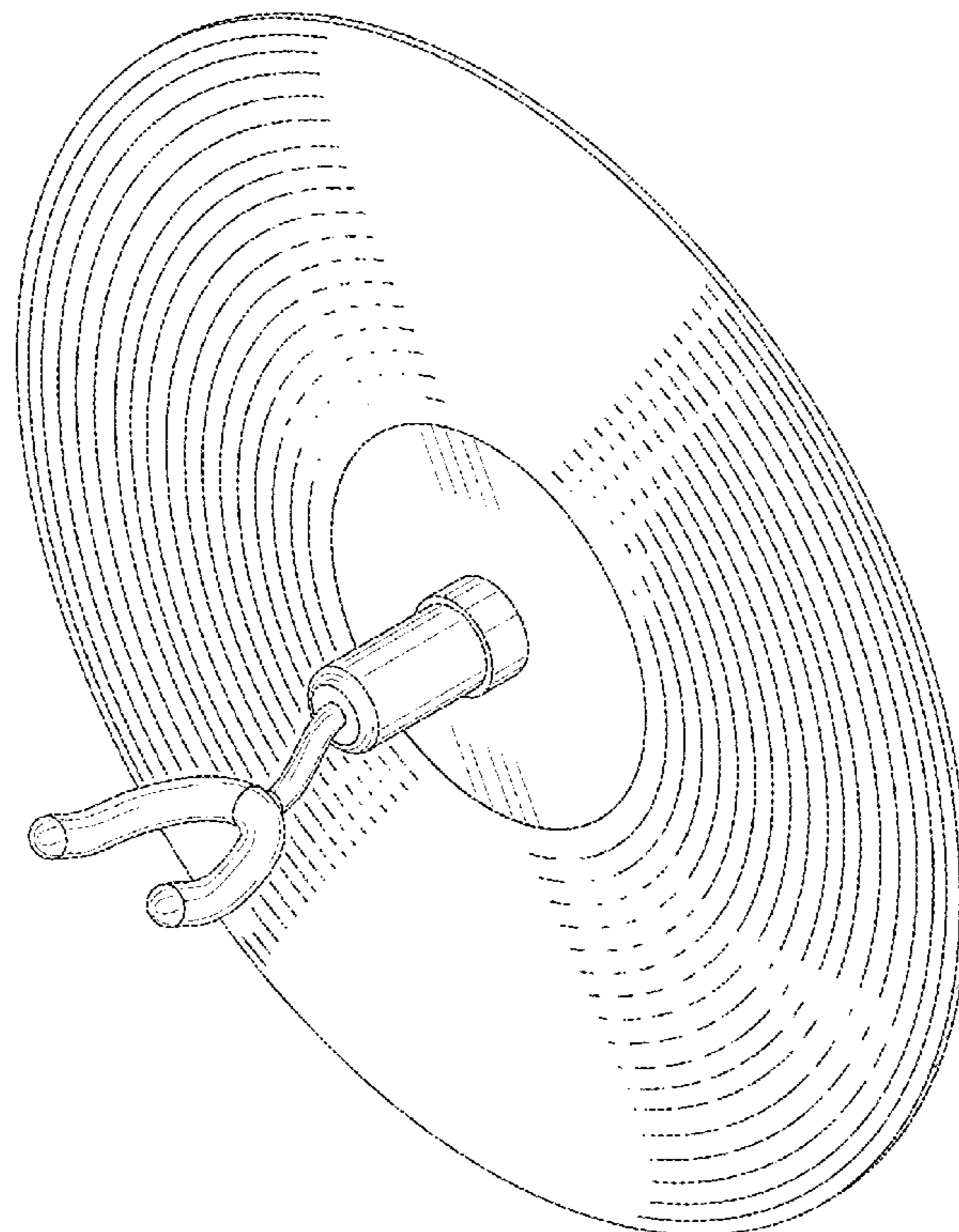
(57) **CLAIM**

The ornamental design for a record wall plaque/guitar holder, as shown and described.

DESCRIPTION

FIG. 1 is a perspective view of a record wall plaque/guitar holder showing my new design;
FIG. 2 is a front elevation view thereof;
FIG. 3 is a rear elevation view thereof;
FIG. 4 is a left-side elevation view thereof;
FIG. 5 is a right-side elevation view thereof;
FIG. 6 is a top plan view thereof; and,
FIG. 7 is a bottom plan view thereof.

1 Claim, 7 Drawing Sheets



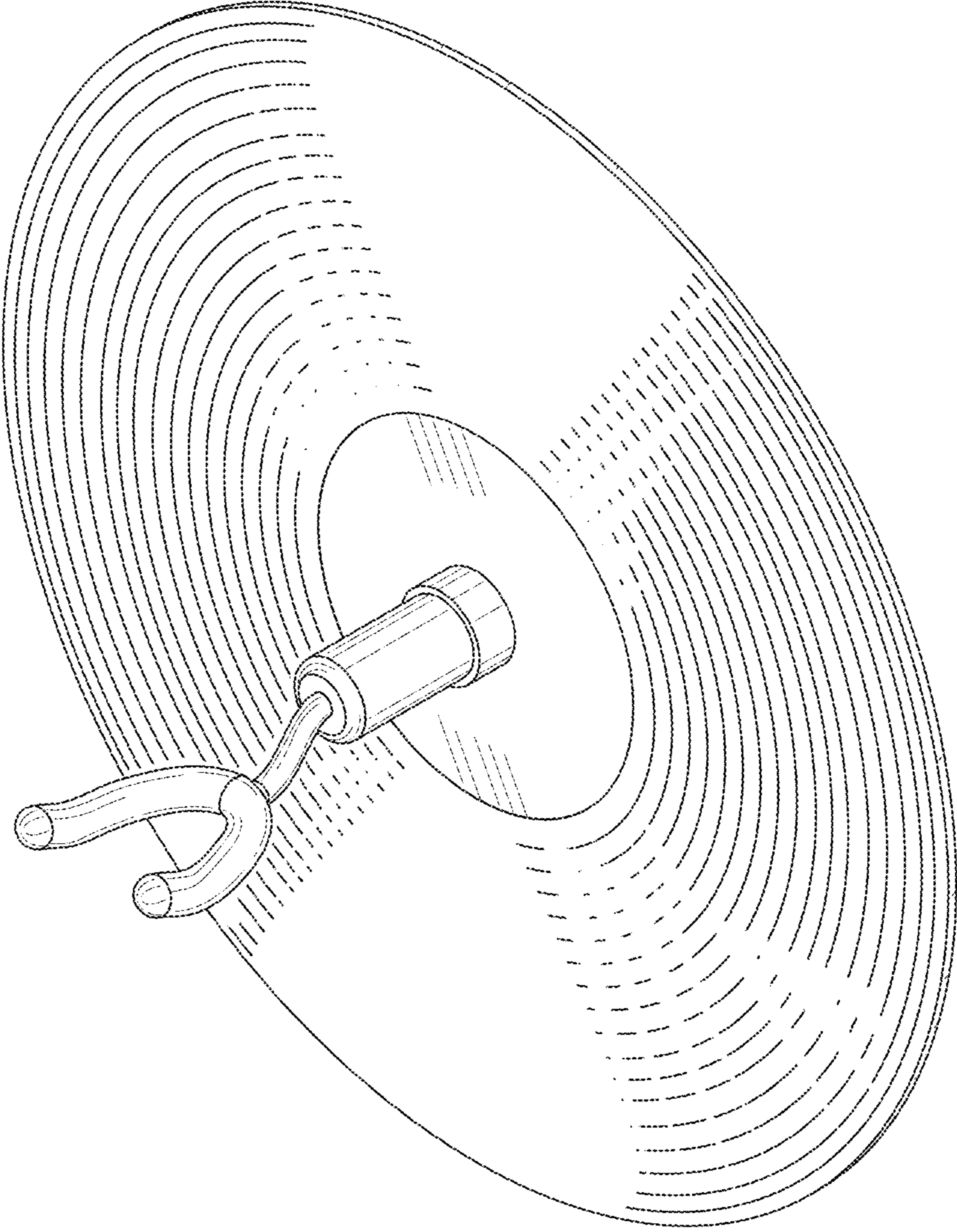


FIG. 1

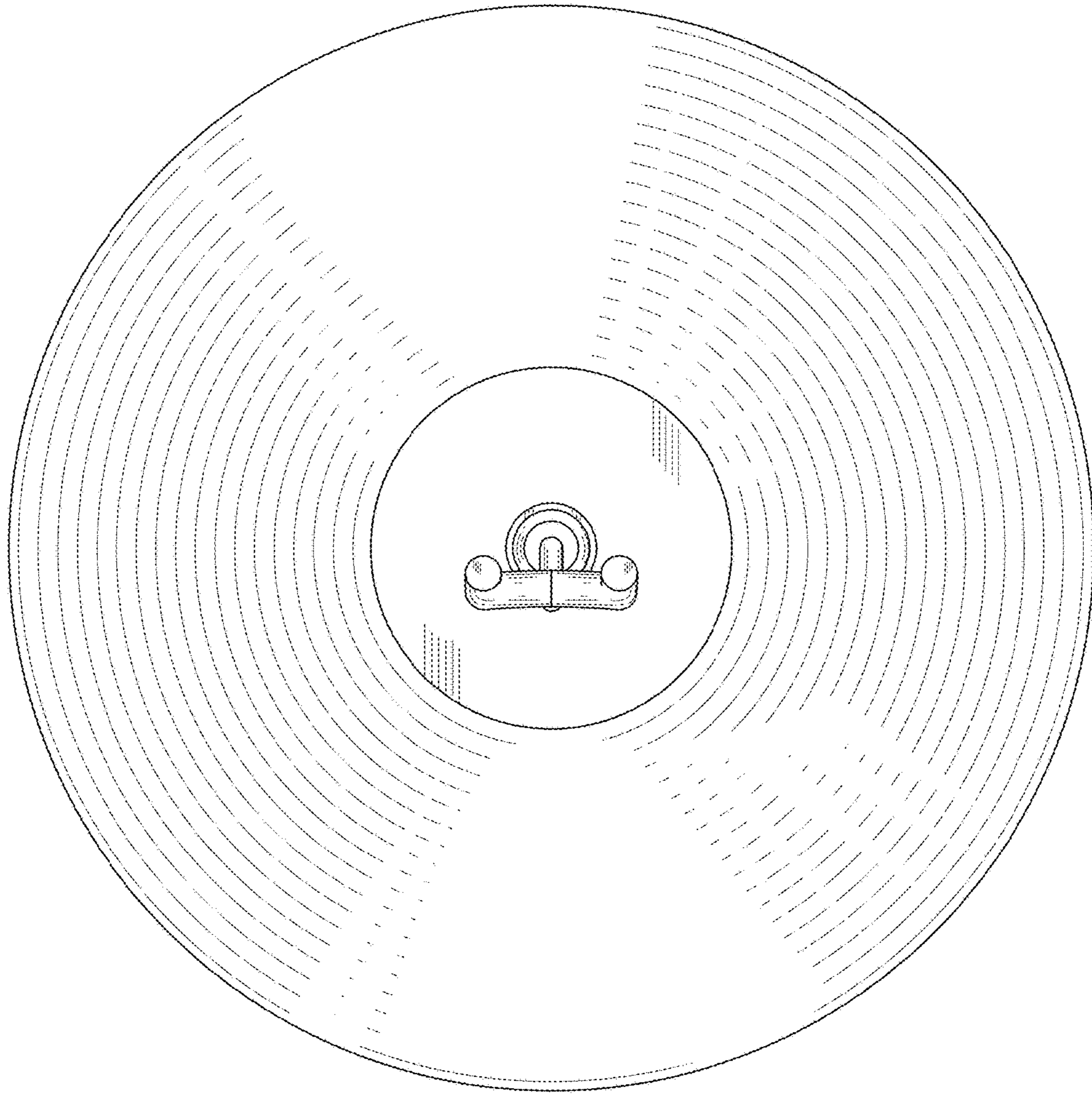


FIG. 2

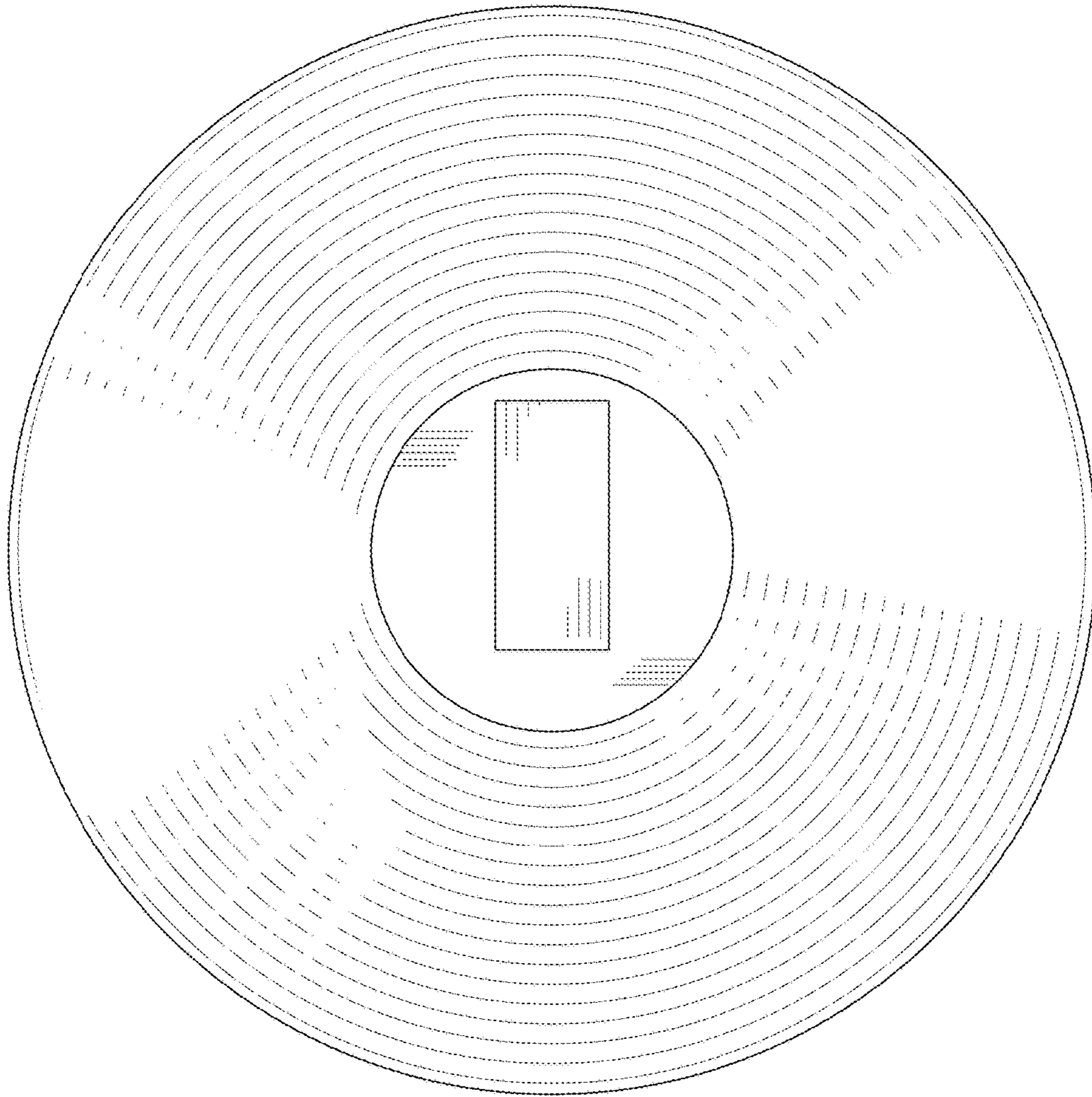


FIG. 3

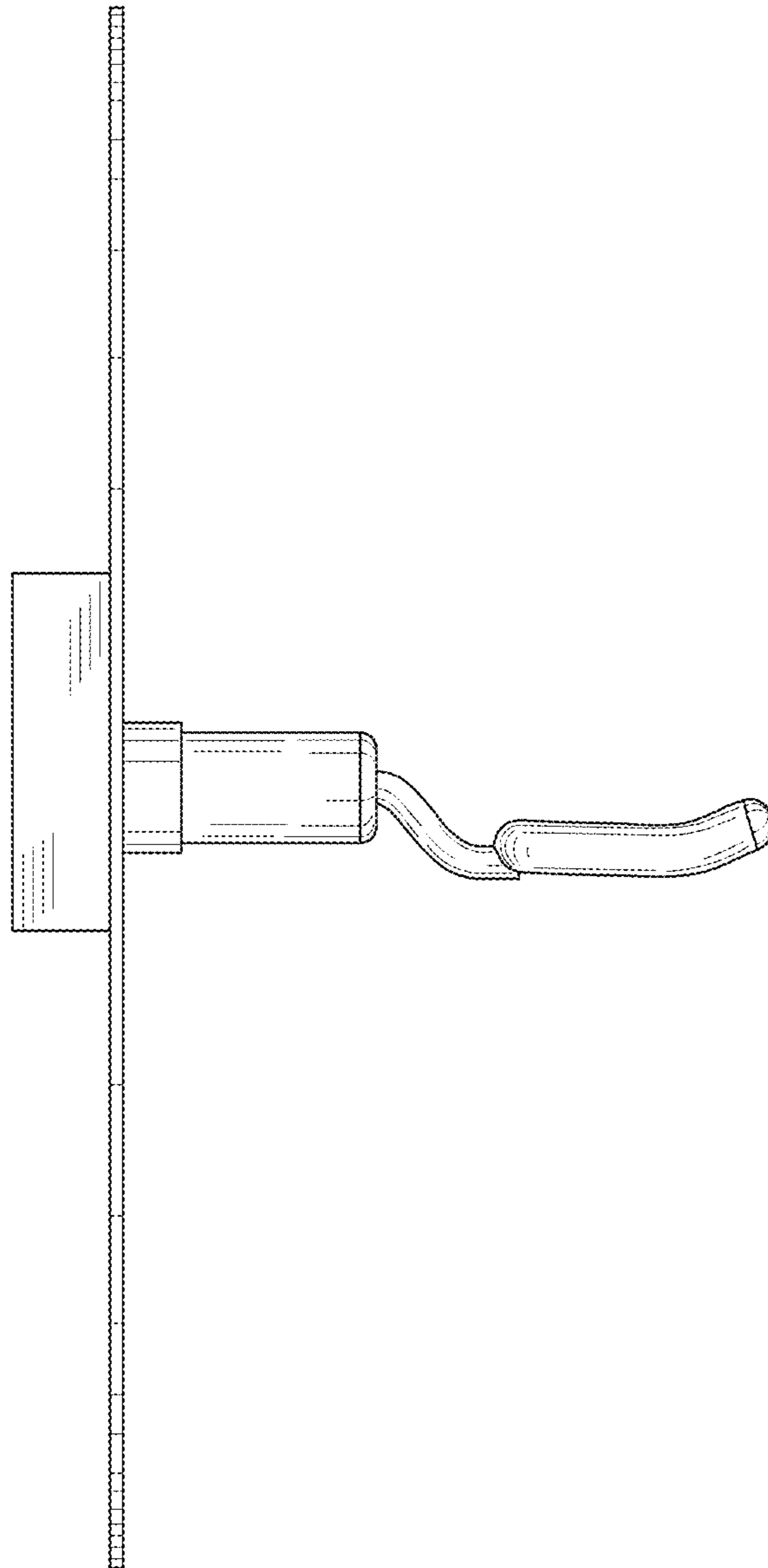


FIG. 4

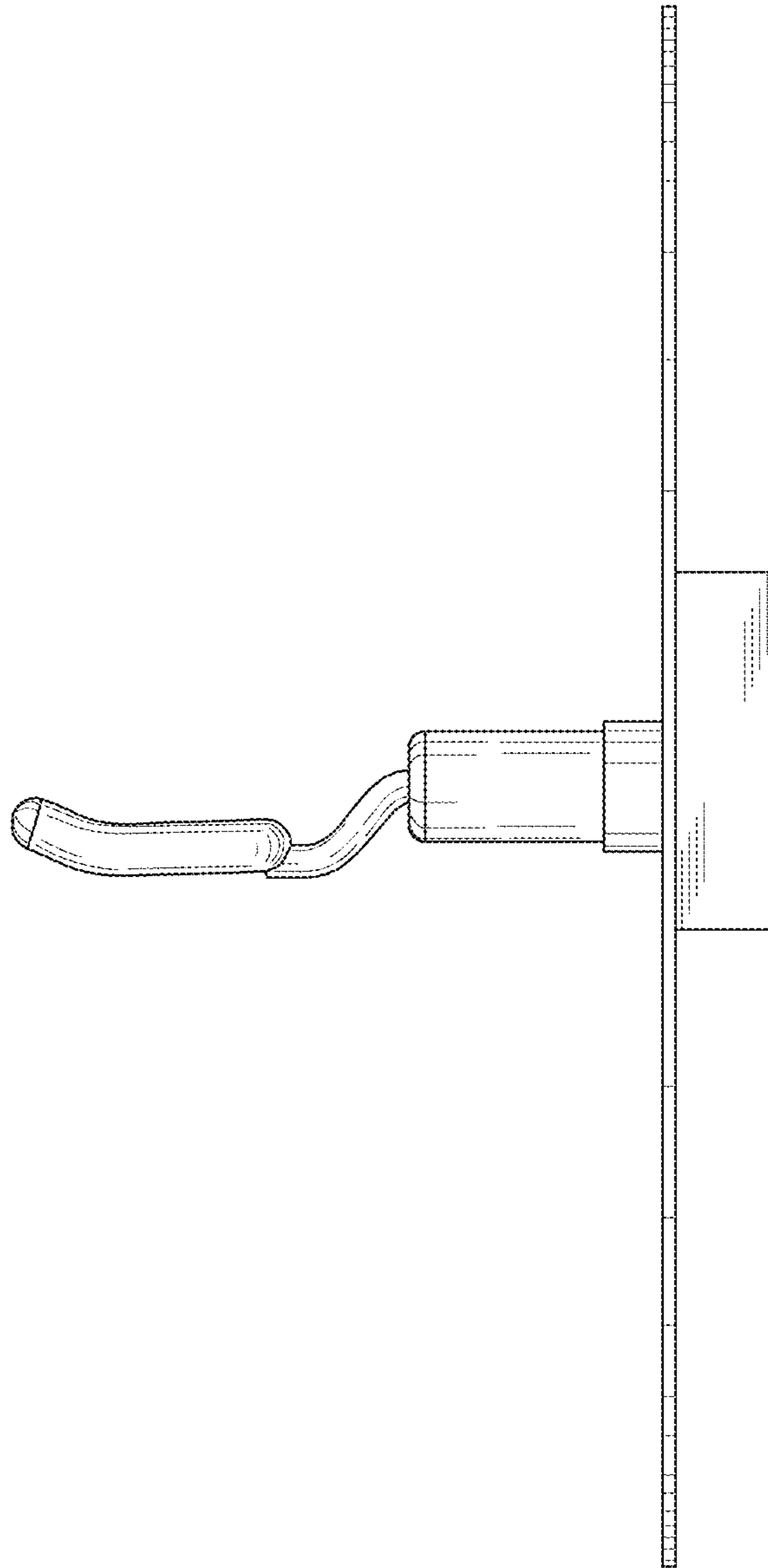


FIG. 5

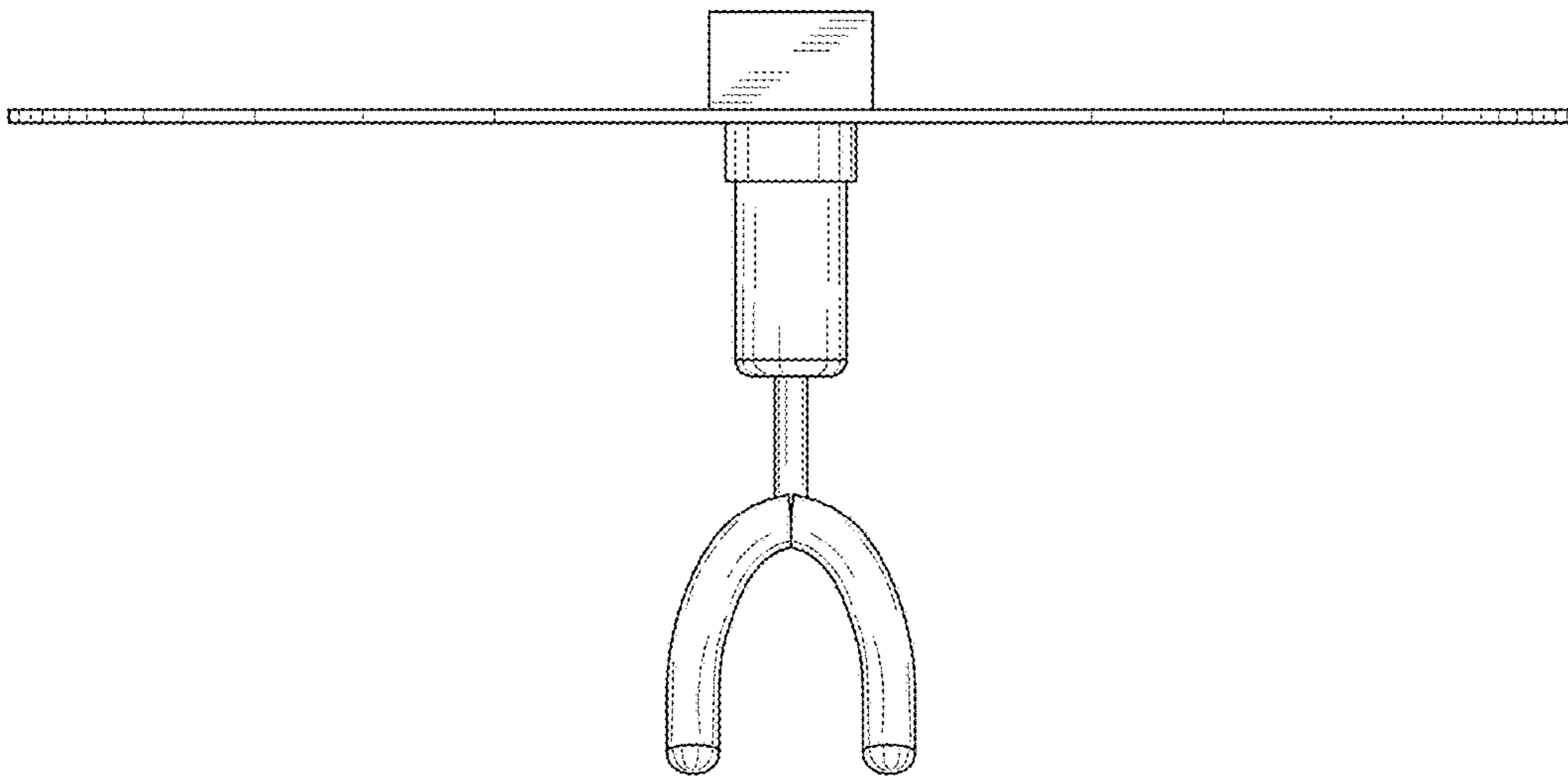


FIG. 6

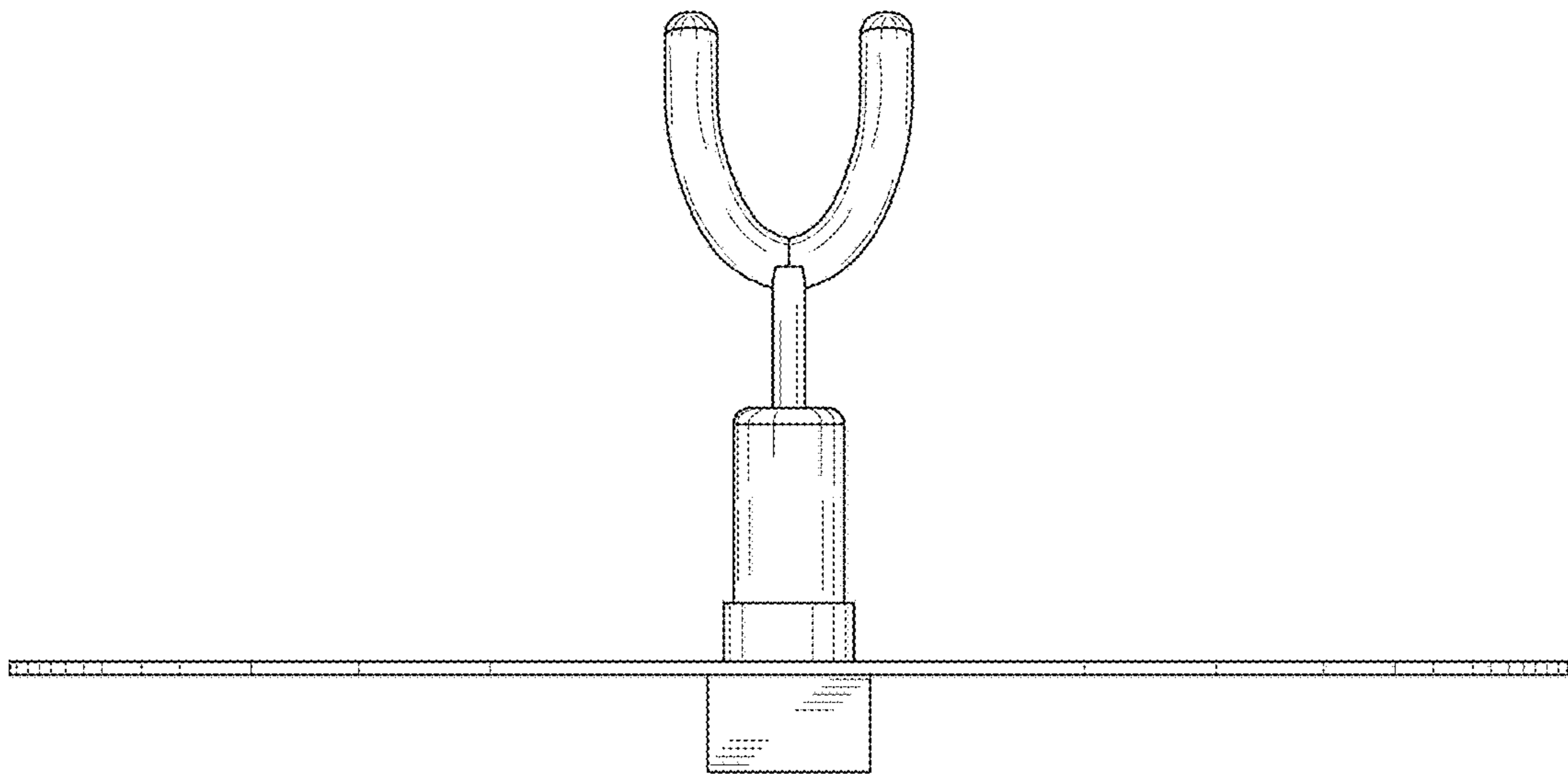


FIG. 7