



US00D774323S

(12) **United States Design Patent** (10) **Patent No.:** **US D774,323 S**
Norton (45) **Date of Patent:** **** Dec. 20, 2016**

(54) **PAPER ROLL DISPENSER**
(71) Applicant: **Jody Norton**, Milton-Freewater, OR (US)
(72) Inventor: **Jody Norton**, Milton-Freewater, OR (US)
(**) Term: **15 Years**
(21) Appl. No.: **29/545,187**
(22) Filed: **Nov. 10, 2015**
(51) **LOC (10) Cl.** **20-02**
(52) **U.S. Cl.**
USPC **D6/520**
(58) **Field of Classification Search**
USPC D6/515–518, 546–550, 520; 108/28–29;
211/13.1, 16, 60.1, 86.01, 88.04, 100,
211/105.1, 105.2, 123, 181.1, 182;
248/175, 176.1, 251, 302; 16/110.1, 415;
242/570, 590, 595–598
CPC A47K 10/3836; A47K 2010/3253;
A47K 2010/3206
See application file for complete search history.

6,056,233 A * 5/2000 Von Schenk A47K 10/40
242/594.5
6,302,350 B1 * 10/2001 Burrell A47K 10/38
242/560
D475,227 S * 6/2003 Clarke D6/520
D482,914 S * 12/2003 Prasad D6/515
D502,621 S * 3/2005 Ho D6/515
D508,354 S * 8/2005 D'Agostino D6/520
D521,778 S * 5/2006 Edwards D6/518
D527,936 S * 9/2006 Sirkis D6/520
D550,998 S * 9/2007 Edwards D6/518
D626,699 S * 11/2010 Tang D30/110
D665,208 S * 8/2012 Lombardo D6/520
D667,661 S * 9/2012 Norton D6/520
D704,472 S * 5/2014 Callif D6/513
2012/0325840 A1 * 12/2012 Restaino B65D 83/0858
221/279

* cited by examiner

Primary Examiner — David Muller
Assistant Examiner — Nathan Johnston
(74) *Attorney, Agent, or Firm* — QuickPatents, LLC;
Kevin Prince

(57) **CLAIM**

I claim the ornamental design for a paper roll dispenser, as shown and described.

(56) **References Cited**

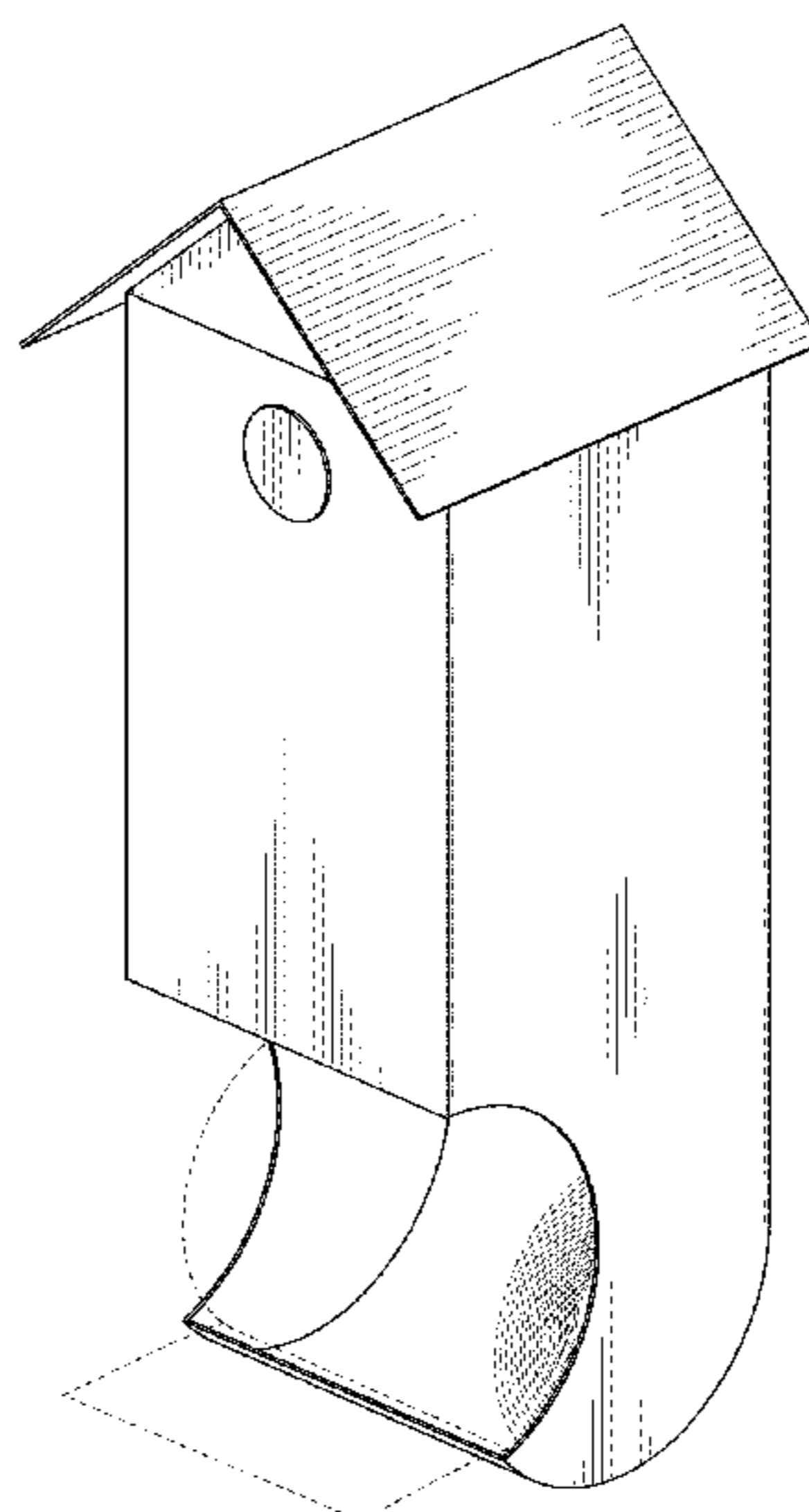
U.S. PATENT DOCUMENTS

D152,210 S * 12/1948 Perelman D6/516
D249,309 S * 9/1978 Williams D6/520
D249,764 S * 10/1978 Burklacich D6/517
4,314,679 A * 2/1982 Paul A47K 10/3827
242/560.3
D266,809 S * 11/1982 Rodriguez D30/110
D273,160 S * 3/1984 Moreland D6/520
D306,104 S * 2/1990 Merdic D6/523
D342,852 S * 1/1994 Welch D6/520
5,479,877 A * 1/1996 Demboske A01K 31/14
119/428
D397,265 S * 8/1998 Badillo D6/520
5,868,335 A * 2/1999 Lebrun A47K 10/38
242/560.3
D422,442 S * 4/2000 Fry D6/559

DESCRIPTION

FIG. 1 is a perspective view of a paper roll dispenser, showing my new design;
FIG. 2 is a front elevational view thereof;
FIG. 3 is a rear elevational view thereof;
FIG. 4 is a left-side elevational view thereof, the right-side elevational view being a mirror image thereof;
FIG. 5 is a top plan view thereof; and,
FIG. 6 is a bottom plan view thereof.
The broken lines in the figures depict environmental matter and form no part of the claimed design.

1 Claim, 4 Drawing Sheets



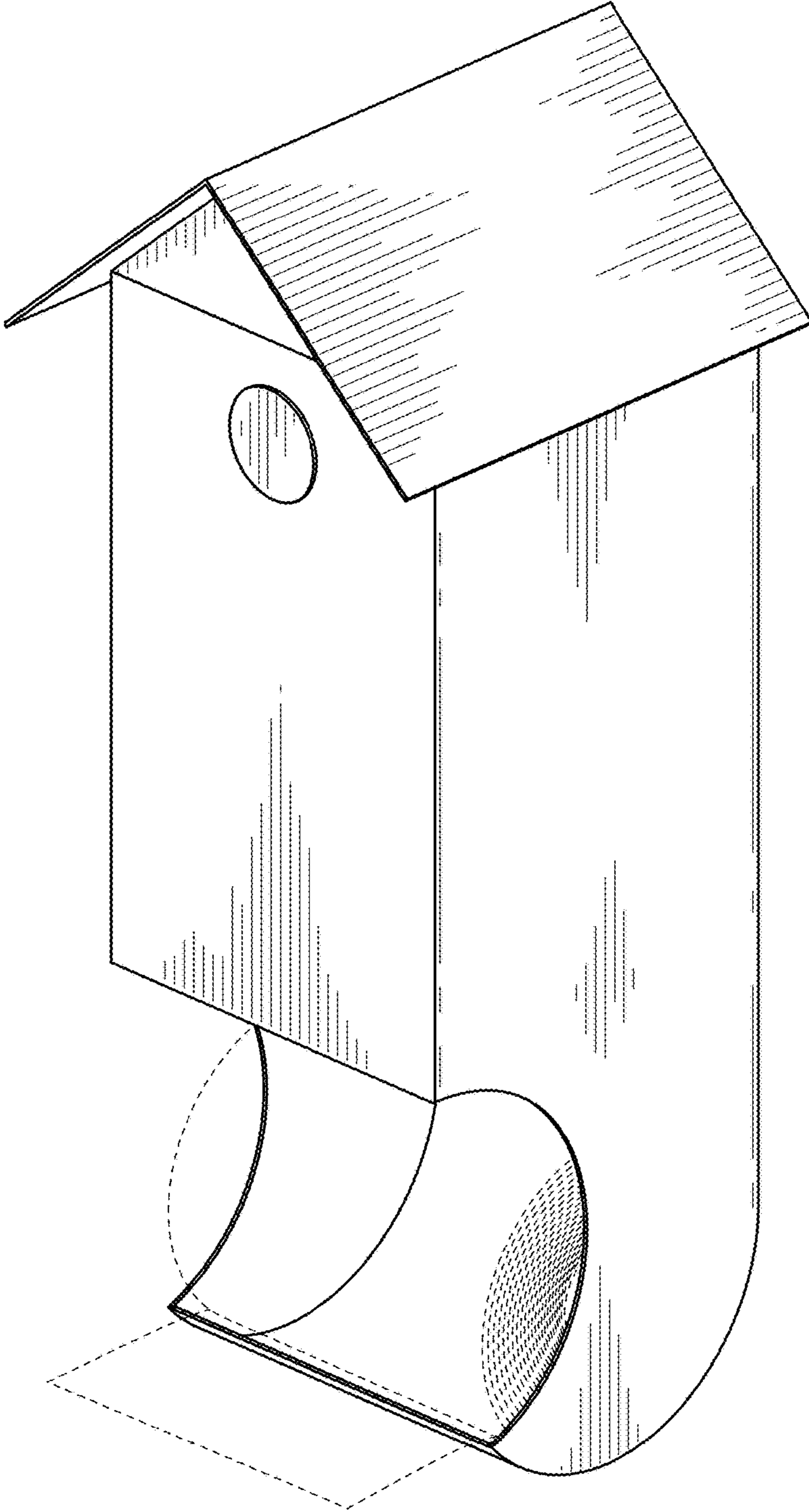


FIG. 1

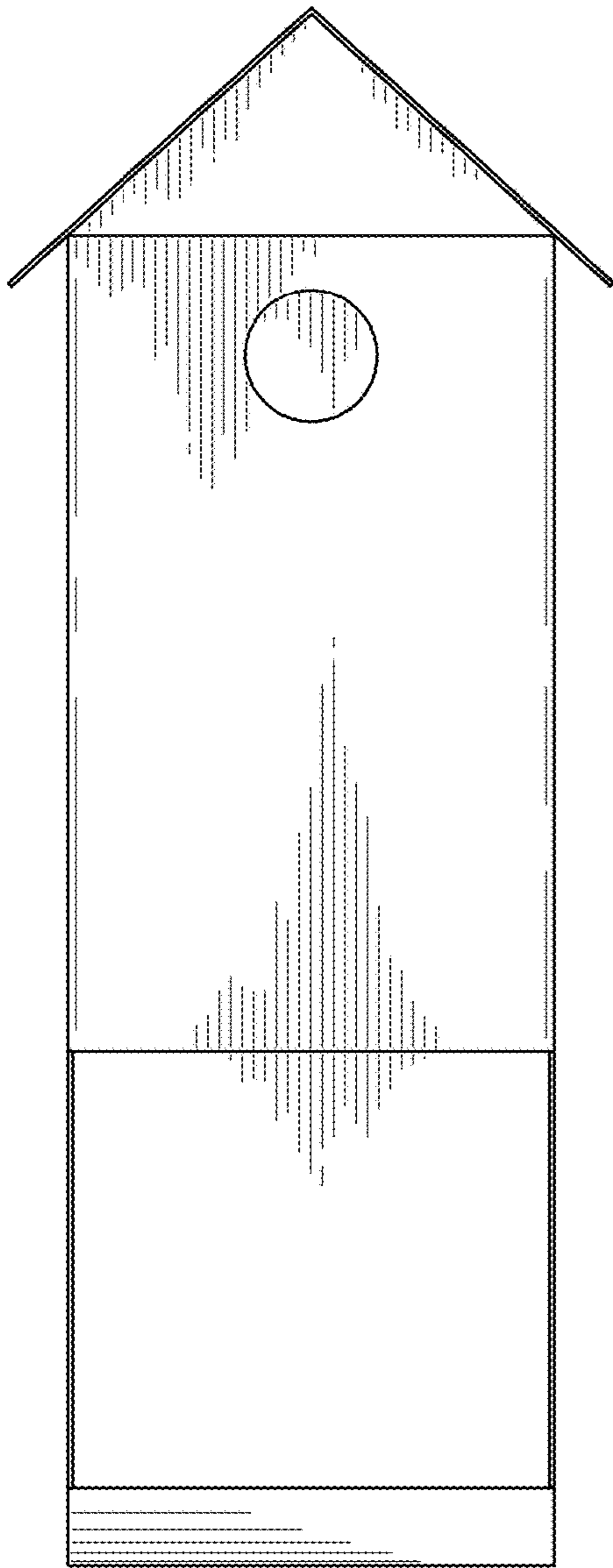


FIG. 2

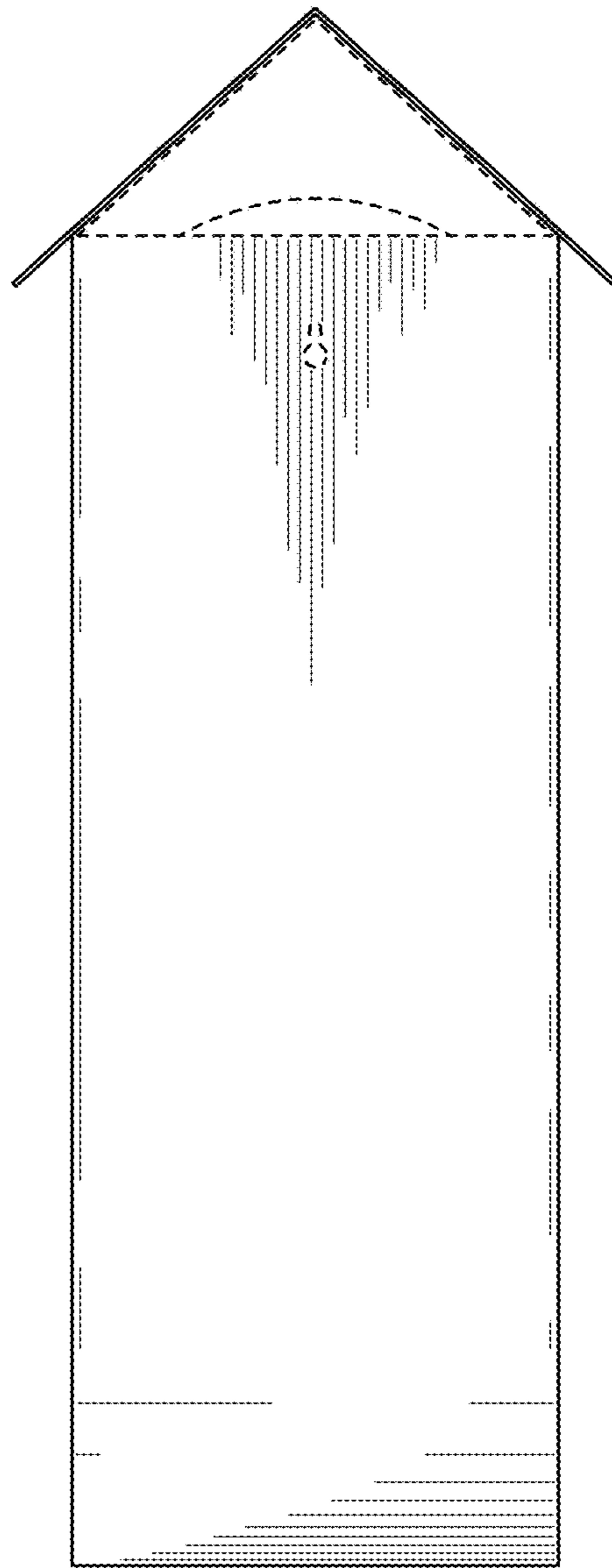


FIG. 3

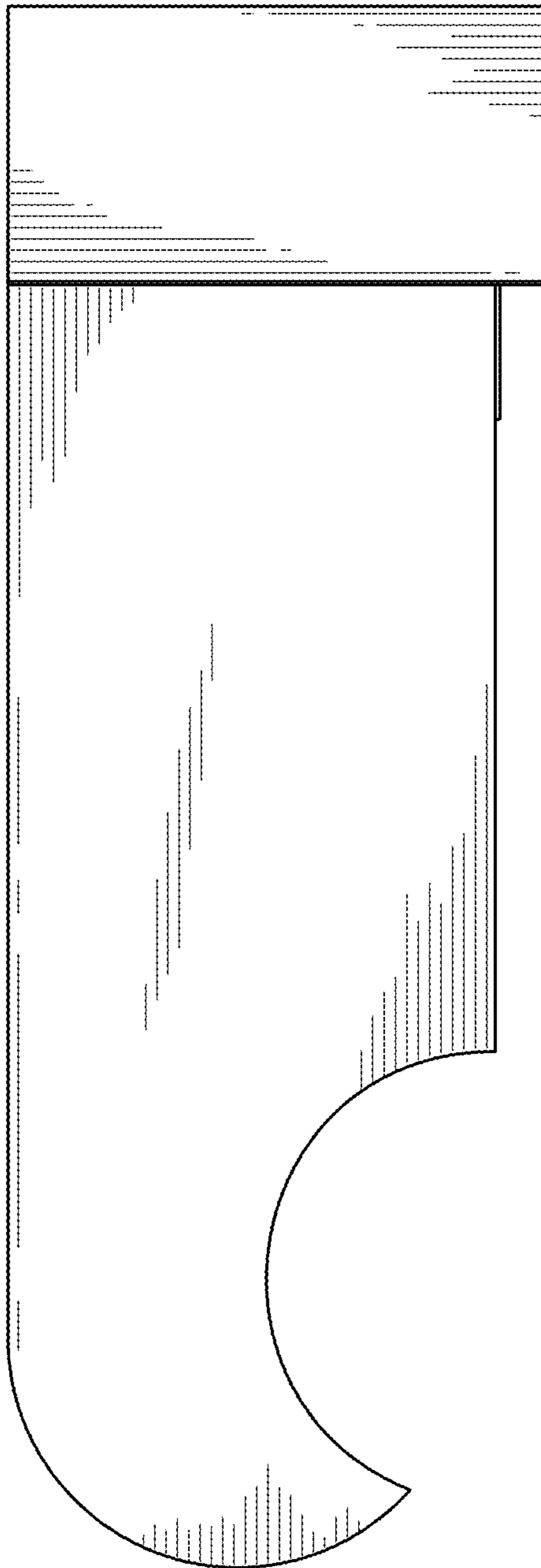


FIG. 4

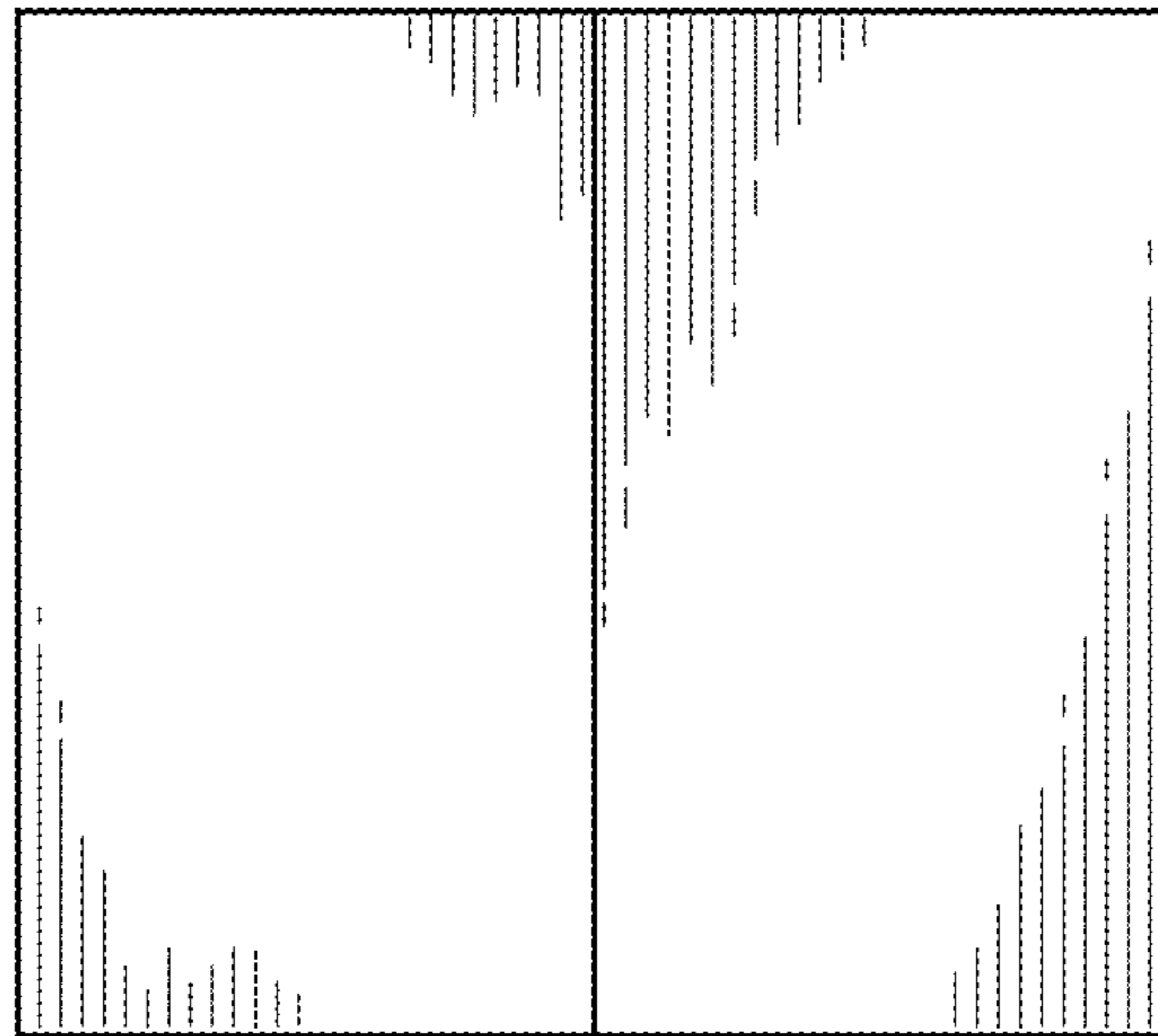


FIG. 5

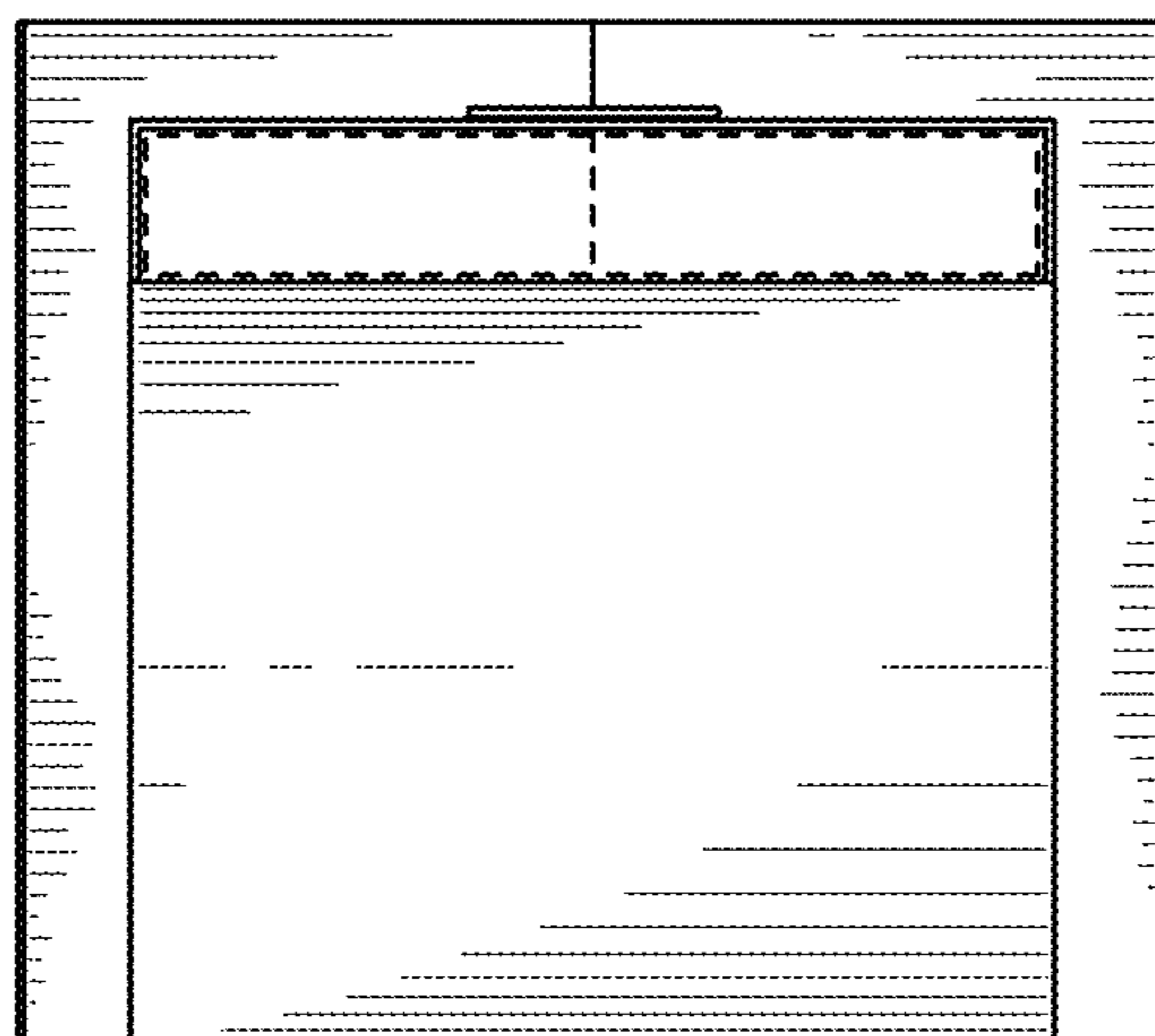


FIG. 6