



US00D774322S

(12) **United States Design Patent**  
**Schmauch et al.**

(10) **Patent No.:** **US D774,322 S**

(45) **Date of Patent:** **\*\* Dec. 20, 2016**

- (54) **OVER BED TABLE**
- (71) Applicant: **GCX Corporation**, Petaluma, CA (US)
- (72) Inventors: **Cisco Patrick Schmauch**, Rohnert Park, CA (US); **Richard Allen Dodele**, Cotati, CA (US); **Cristian J. Daugbjerg**, Novato, CA (US); **Bradley Andrew Cohen**, Novato, CA (US)
- (73) Assignee: **GCX CORPORATION**, Petaluma, CA (US)
- (\*\*) Term: **15 Years**
- (21) Appl. No.: **29/541,273**
- (22) Filed: **Oct. 1, 2015**
- (51) **LOC (10) Cl.** ..... **06-06**
- (52) **U.S. Cl.**  
USPC ..... **D6/406.5**
- (58) **Field of Classification Search**  
USPC ..... D6/406.1, 406.2, 406.3, 406.4, 406.5,  
D6/406.6, 672, 675, 656, 656.15  
CPC .... A47B 23/00; A47B 23/04; A47B 2023/049  
See application file for complete search history.

- D296,851 S \* 7/1988 Kelley ..... D6/656.11
- 5,374,019 A \* 12/1994 Fischer ..... A47B 23/046  
248/124.1
- D375,641 S \* 11/1996 Dhanapal ..... D6/406.1
- 5,746,334 A \* 5/1998 Brandenburg ..... A47B 9/14  
211/205
- 6,240,856 B1 \* 6/2001 Paskey ..... B25H 1/12  
108/146
- 6,688,634 B2 \* 2/2004 Noffsinger ..... B25H 3/06  
280/47.19
- D543,722 S \* 6/2007 Cookson ..... D6/406.2
- D548,496 S \* 8/2007 Samtani ..... D6/656.13
- D588,829 S \* 3/2009 Rheault ..... D6/406.1
- D612,169 S \* 3/2010 Chang ..... D6/656.13
- D620,276 S \* 7/2010 Miller ..... D6/406.2
- D638,637 S \* 5/2011 Foley ..... D6/656.15
- 8,100,061 B2 \* 1/2012 Hookway ..... A47B 23/046  
108/26
- D656,760 S \* 4/2012 Fox ..... D6/406.1

(Continued)

*Primary Examiner* — Kelley Donnelly

(74) *Attorney, Agent, or Firm* — Perkins Coie LLP

(57) **CLAIM**

The ornamental design for an over bed table, as shown and described.

**DESCRIPTION**

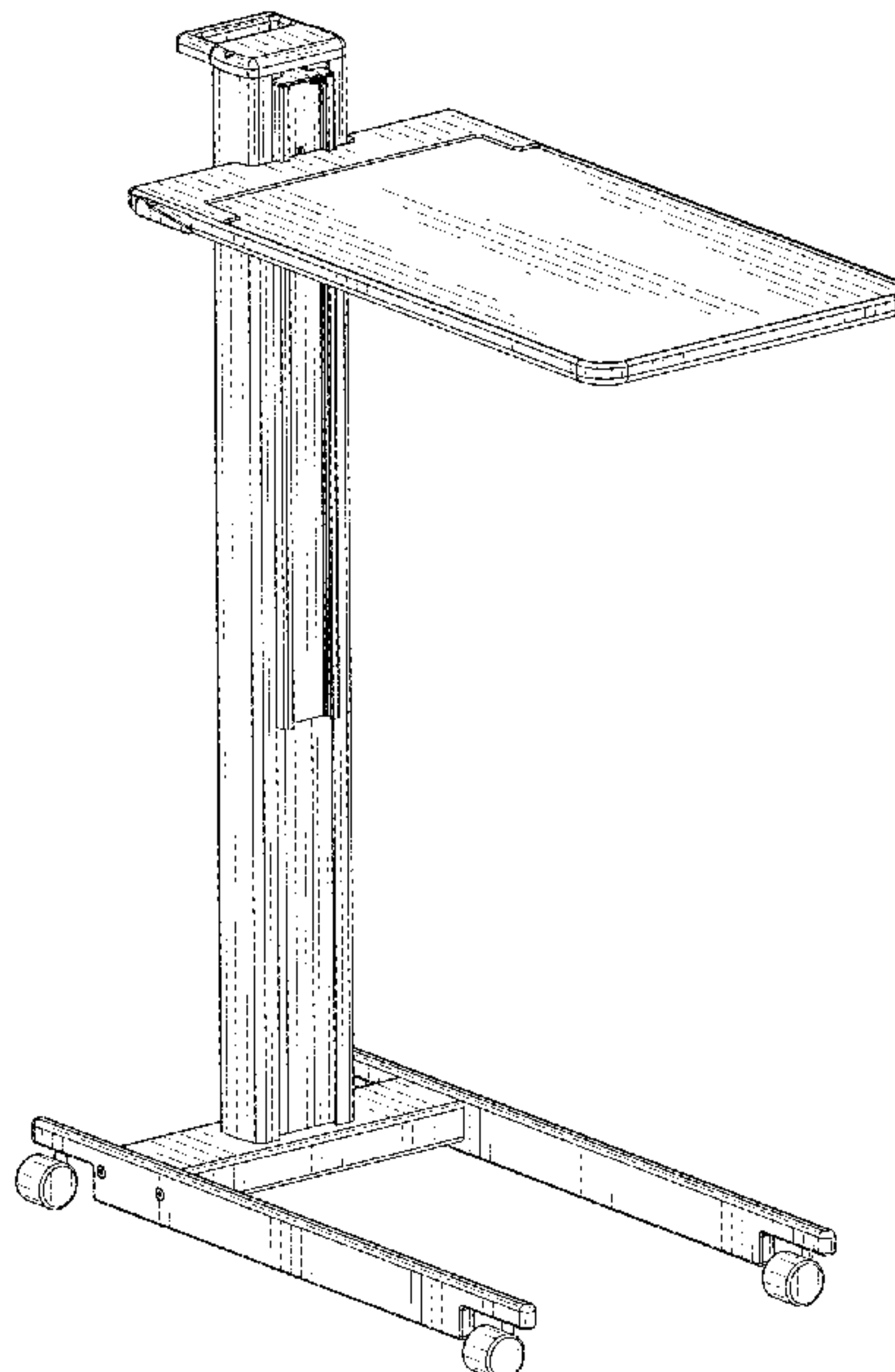
FIG. 1 is a right front perspective view thereof;  
 FIG. 2 is a right rear perspective view thereof;  
 FIG. 3 is a front view thereof;  
 FIG. 4 is a rear view thereof;  
 FIG. 5 is a left side view, the right side being a mirror image thereof; and,  
 FIG. 6 is a top view thereof.  
 Any broken lines shown are included solely for the purpose of illustrating the unclaimed portions of the article and form no part of the claim.

**1 Claim, 5 Drawing Sheets**

(56) **References Cited**

**U.S. PATENT DOCUMENTS**

- 3,682,112 A \* 8/1972 Emrick ..... A47B 3/0815  
108/116
- 4,077,333 A \* 3/1978 Ballas ..... A47B 23/046  
108/6
- D261,837 S \* 11/1981 Sonder ..... D6/406.2
- 4,313,589 A \* 2/1982 Vega ..... A47B 23/04  
248/444.1
- D292,956 S \* 12/1987 Inoue ..... D6/406.1
- D295,348 S \* 4/1988 Muller ..... D6/406.2



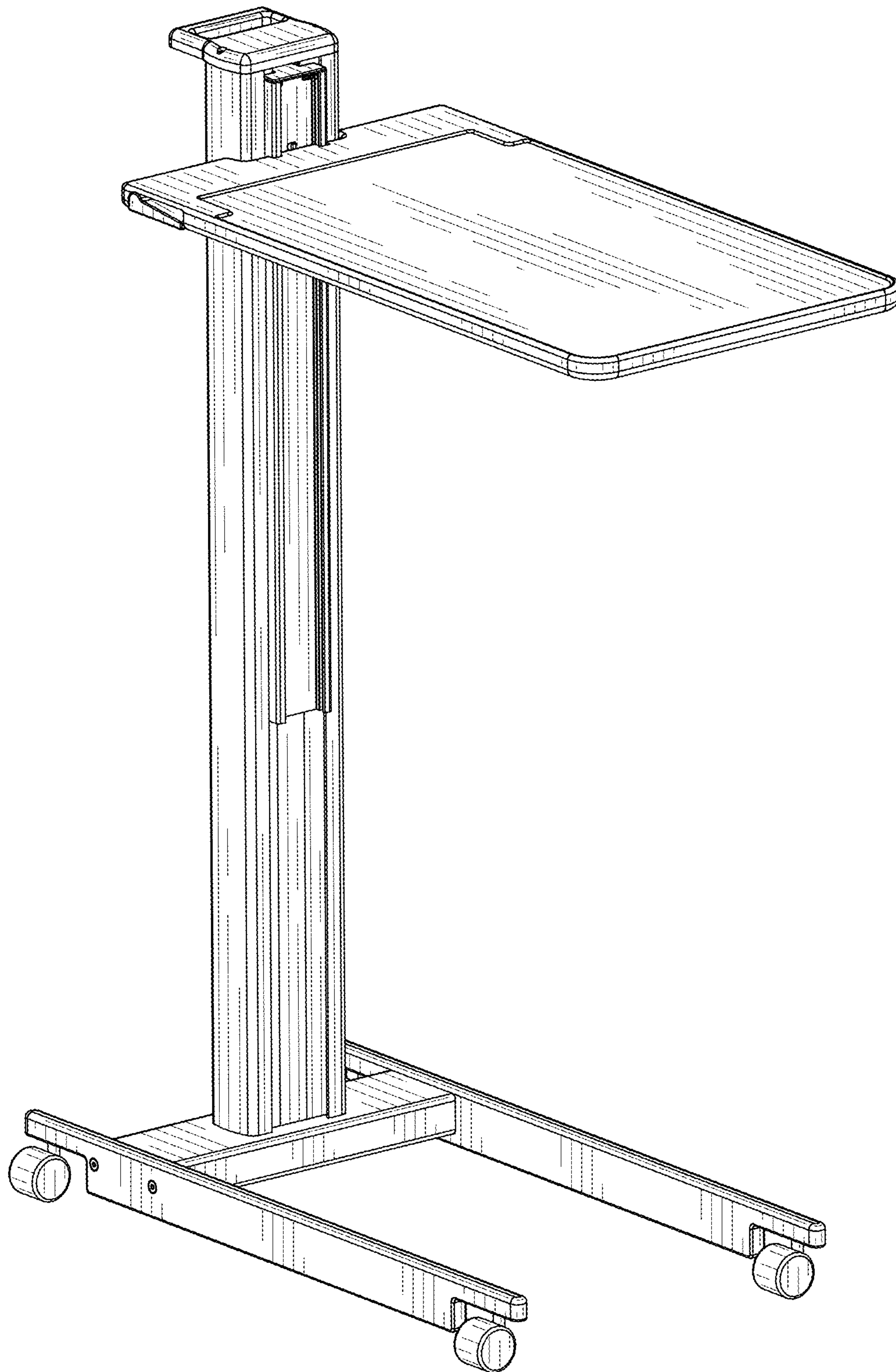
(56)

**References Cited**

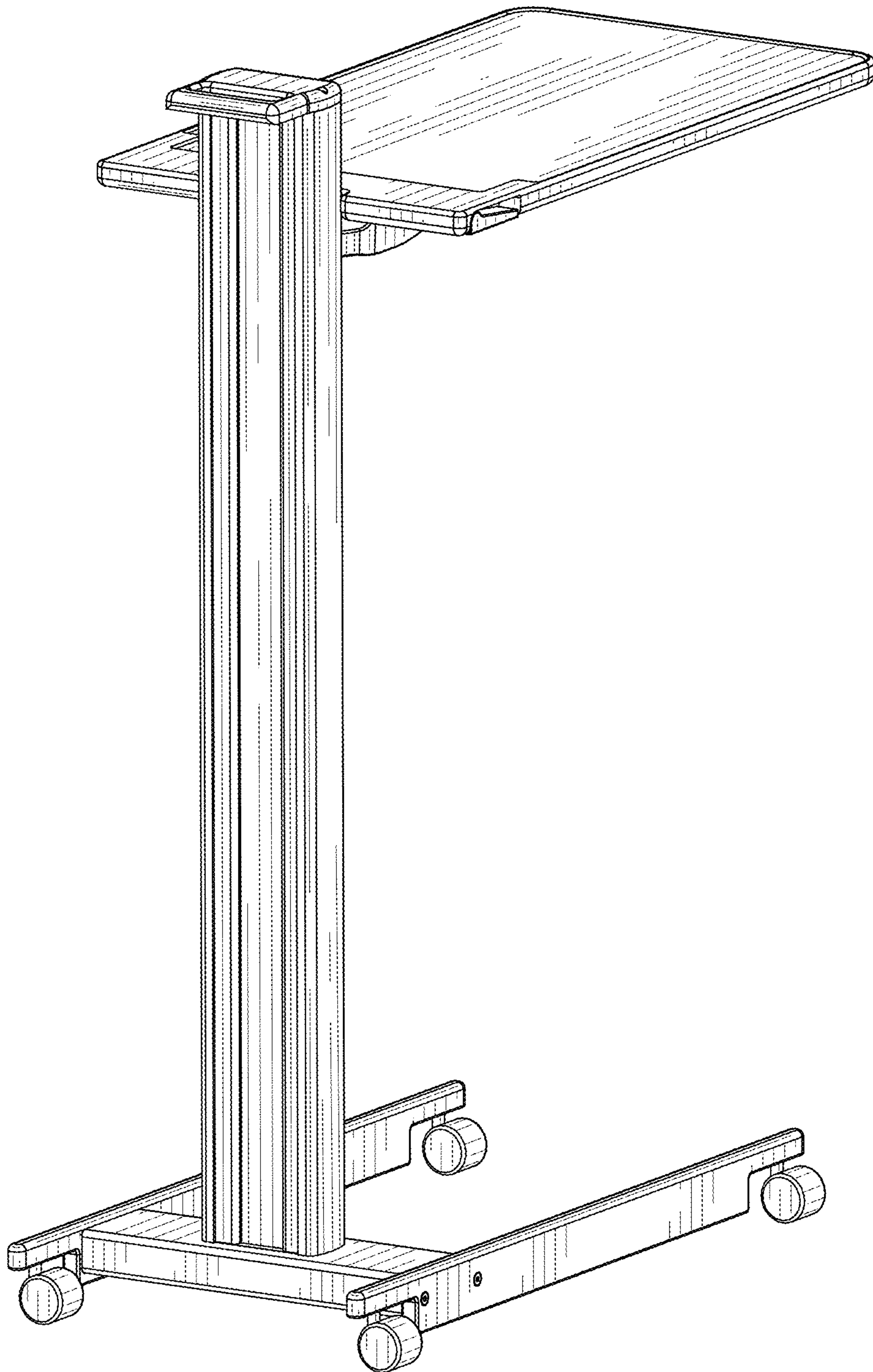
U.S. PATENT DOCUMENTS

8,316,777 B1 \* 11/2012 Rosing ..... A47B 23/046  
108/49  
D687,656 S \* 8/2013 Copeland ..... D6/656.15  
D692,702 S \* 11/2013 Miller ..... D6/677.3  
D735,492 S \* 8/2015 Coffman ..... D6/555  
D739,538 S \* 9/2015 Bernal ..... D24/185  
9,271,569 B2 \* 3/2016 Zaccai ..... A47B 88/0407  
D758,747 S \* 6/2016 Lenz ..... D6/349  
D759,994 S \* 6/2016 Lin ..... D6/656.13  
2005/0132935 A1 \* 6/2005 Lahmann ..... A47B 23/00  
108/49  
2006/0180054 A1 \* 8/2006 George ..... A47B 9/20  
108/50.11  
2008/0121150 A1 \* 5/2008 Picchio ..... A47B 9/04  
108/147.19  
2009/0307843 A1 \* 12/2009 Hookway ..... A47B 23/046  
5/425  
2016/0038785 A1 \* 2/2016 Netter ..... A63B 22/0235  
482/4

\* cited by examiner

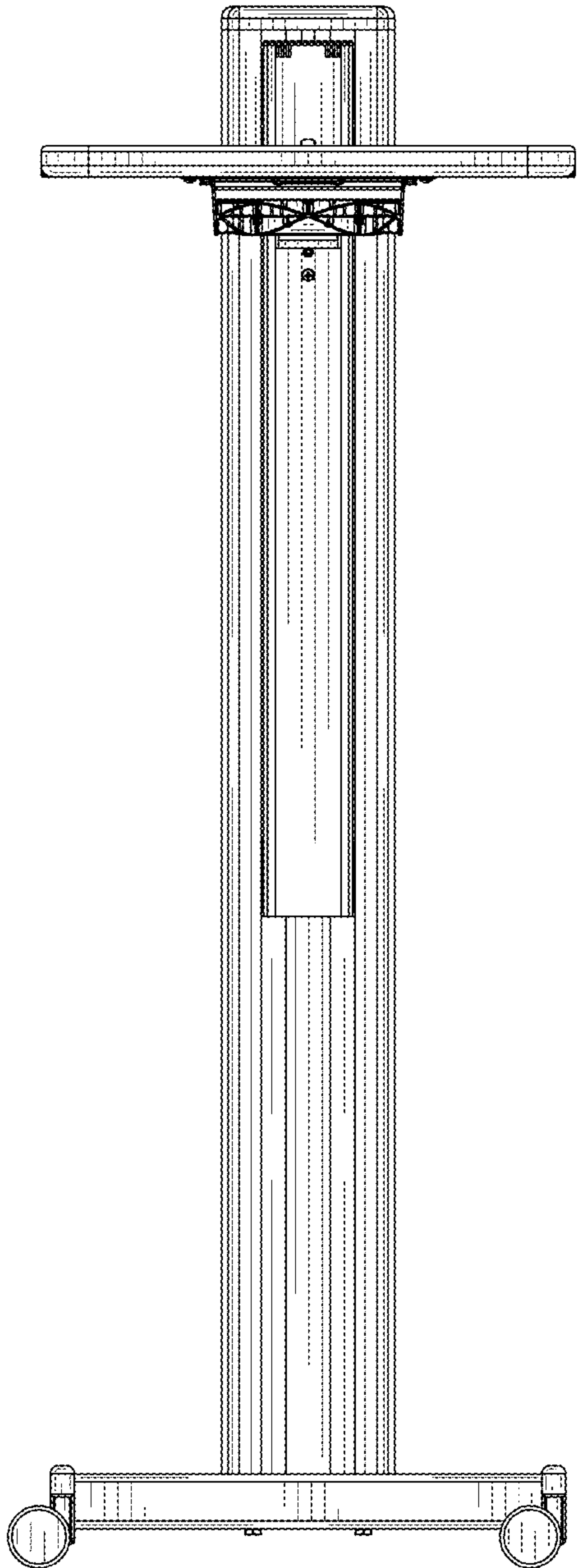


**FIG. 1**

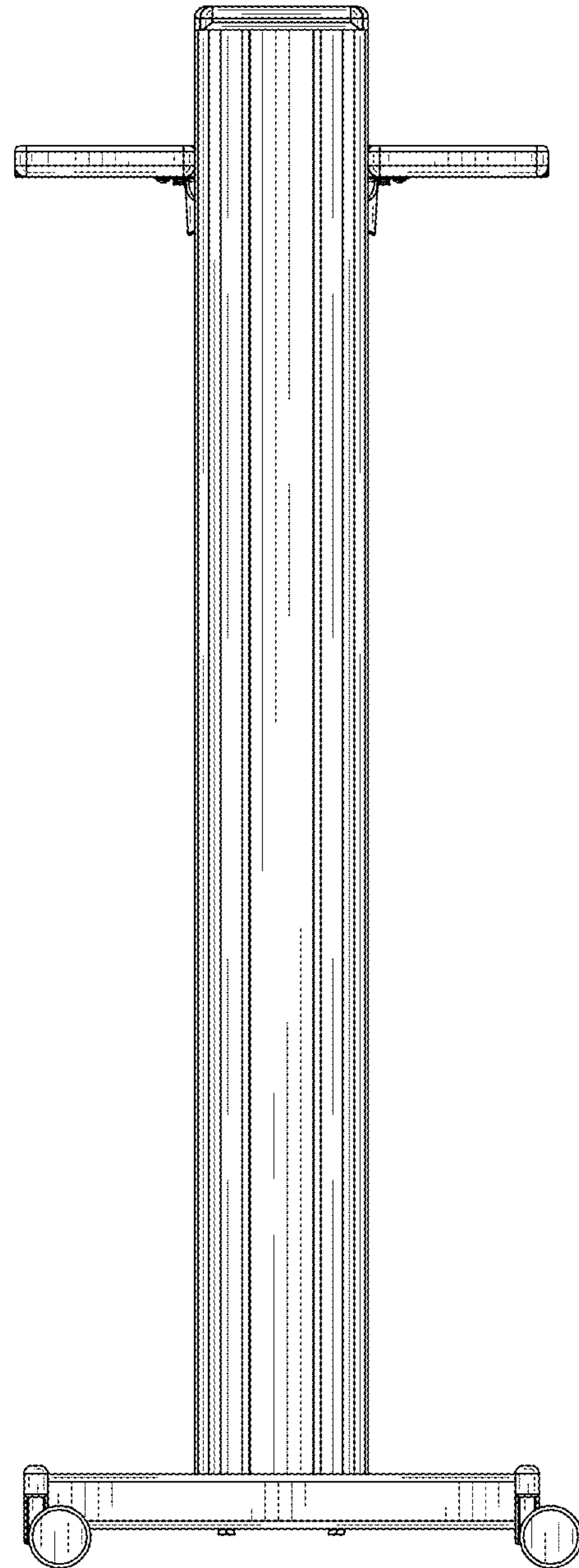


**FIG. 2**

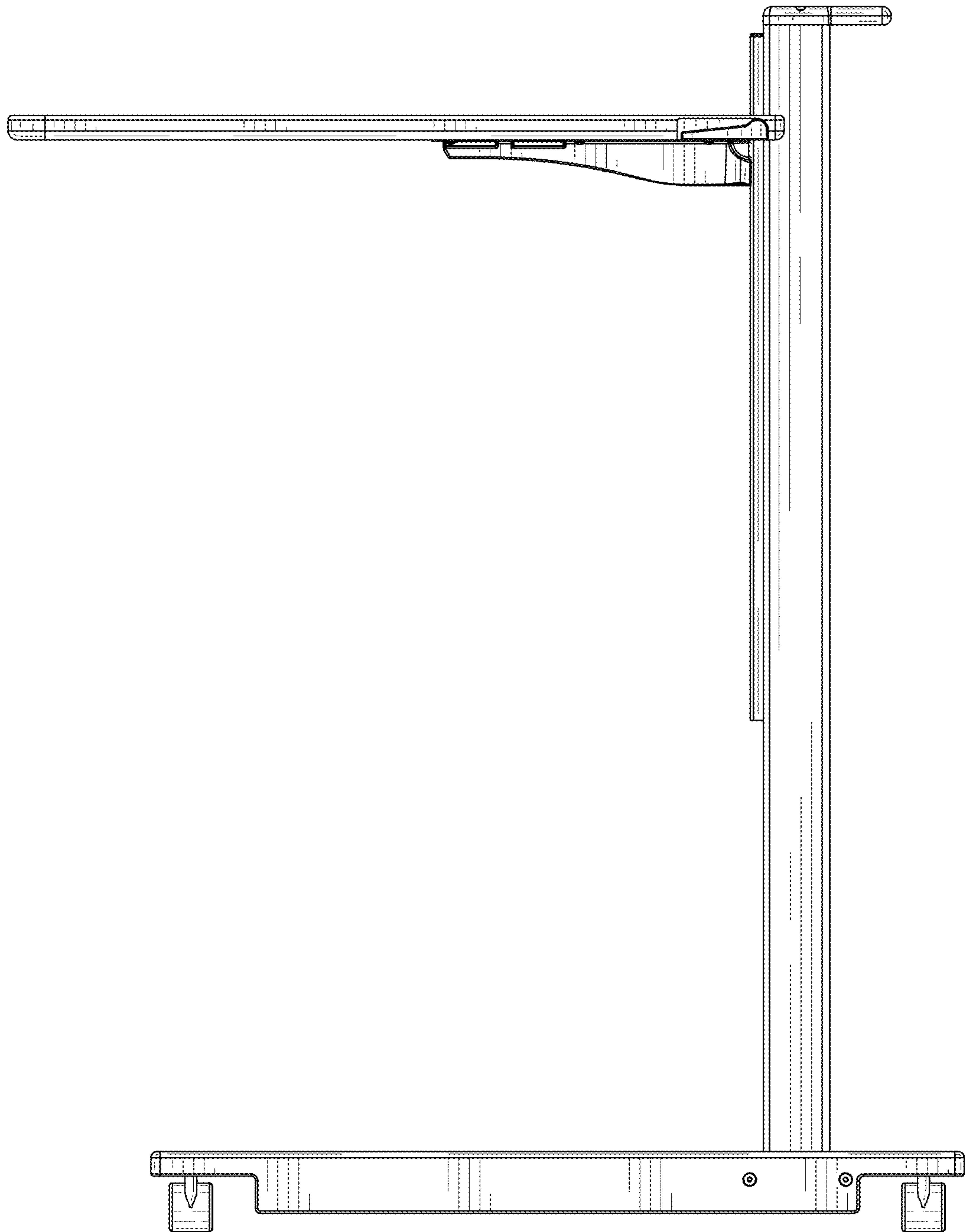




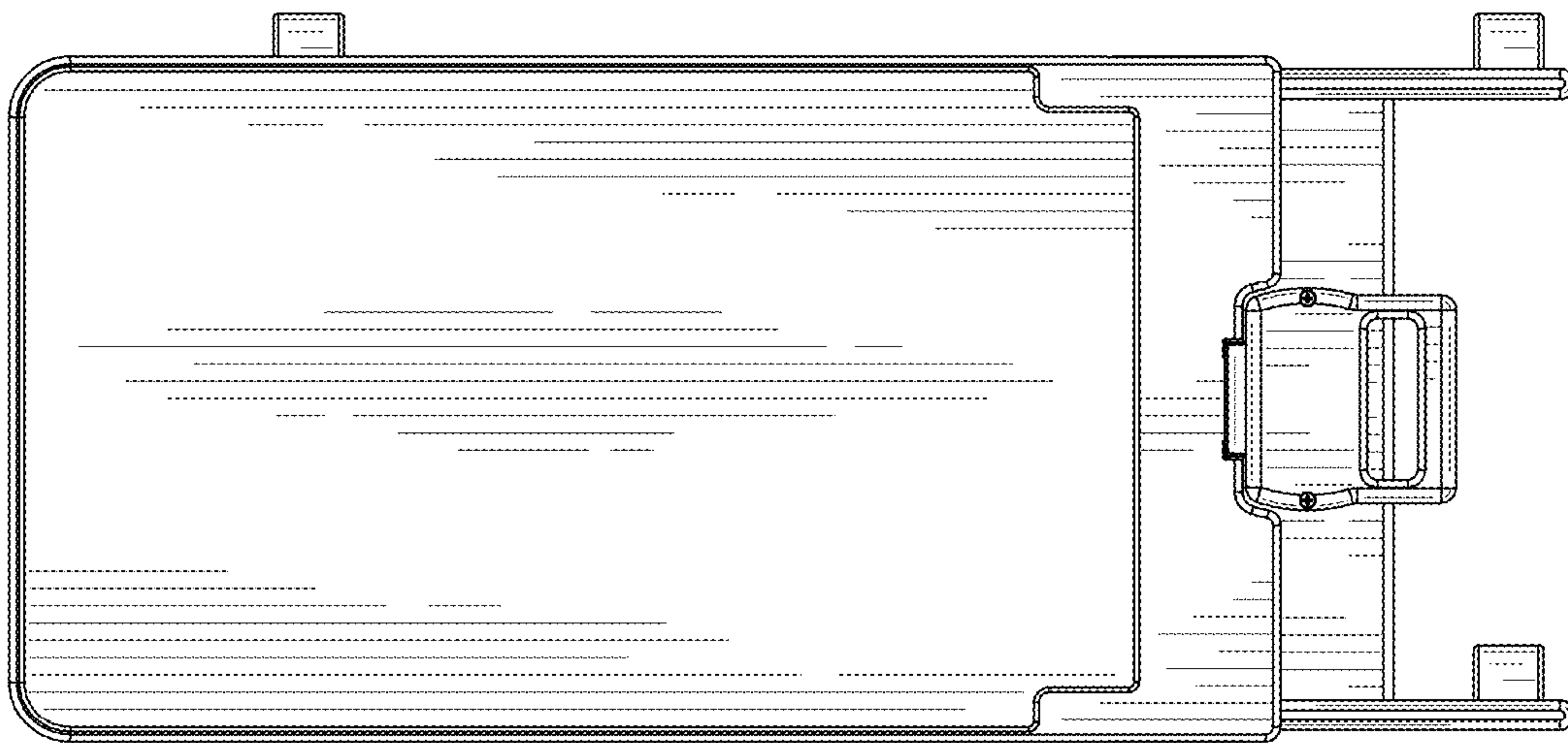
**FIG. 3**



**FIG. 4**



**FIG. 5**



**FIG. 6**