



US00D774320S

(12) **United States Design Patent**
Hsiao

(10) **Patent No.:** **US D774,320 S**

(45) **Date of Patent:** **** Dec. 20, 2016**

(54) **CHAIR**

(71) Applicant: **Fu-Chih Hsiao**, Foshan (CN)

(72) Inventor: **Fu-Chih Hsiao**, Foshan (CN)

(**) Term: **15 Years**

(21) Appl. No.: **29/537,579**

(22) Filed: **Aug. 27, 2015**

(51) **LOC (10) Cl.** **06-01**

(52) **U.S. Cl.**
USPC **D6/366**

(58) **Field of Classification Search**
USPC D6/364-368, 374, 716; 297/228.11,
297/284.4, 344.19, 353, 411.2, 452.18,
297/452.24, 452.26, 452.28, 452.32-33,
297/452.37
CPC A47C 7/02; A47C 7/44; A47C 7/46;
A47C 7/48; A47C 7/54; A47C
7/386; A47C 7/462; A47C 1/10; A47C
1/031; B60N 2/02; B60N 2/22; B60N
2/44

See application file for complete search history.

(56) **References Cited**

U.S. PATENT DOCUMENTS

D445,580 S	*	7/2001	Pennington	D6/366
D534,364 S	*	1/2007	Loew	D6/366
D535,112 S	*	1/2007	Bernett	D6/366
D559,571 S	*	1/2008	Meda	D6/366
D579,223 S	*	10/2008	Greutmann	D6/366
D579,695 S	*	11/2008	Wu	D6/366

D582,170 S	*	12/2008	Chi	D6/366
D649,795 S	*	12/2011	Izawa	D6/366
D697,726 S	*	1/2014	Smith	D6/366
D704,944 S	*	5/2014	Koepke	D6/366
D707,976 S	*	7/2014	Smith	D6/366
D724,367 S	*	3/2015	Sander	D6/366
D733,445 S	*	7/2015	Izawa	D6/366
D733,446 S	*	7/2015	Izawa	D6/366
D750,911 S	*	3/2016	Su	D6/366
2014/0077542 A1	*	3/2014	Vander Veen	A47C 1/032 297/228.11

* cited by examiner

Primary Examiner — Manpreet Matharu

Assistant Examiner — Keith Wilson

(57) **CLAIM**

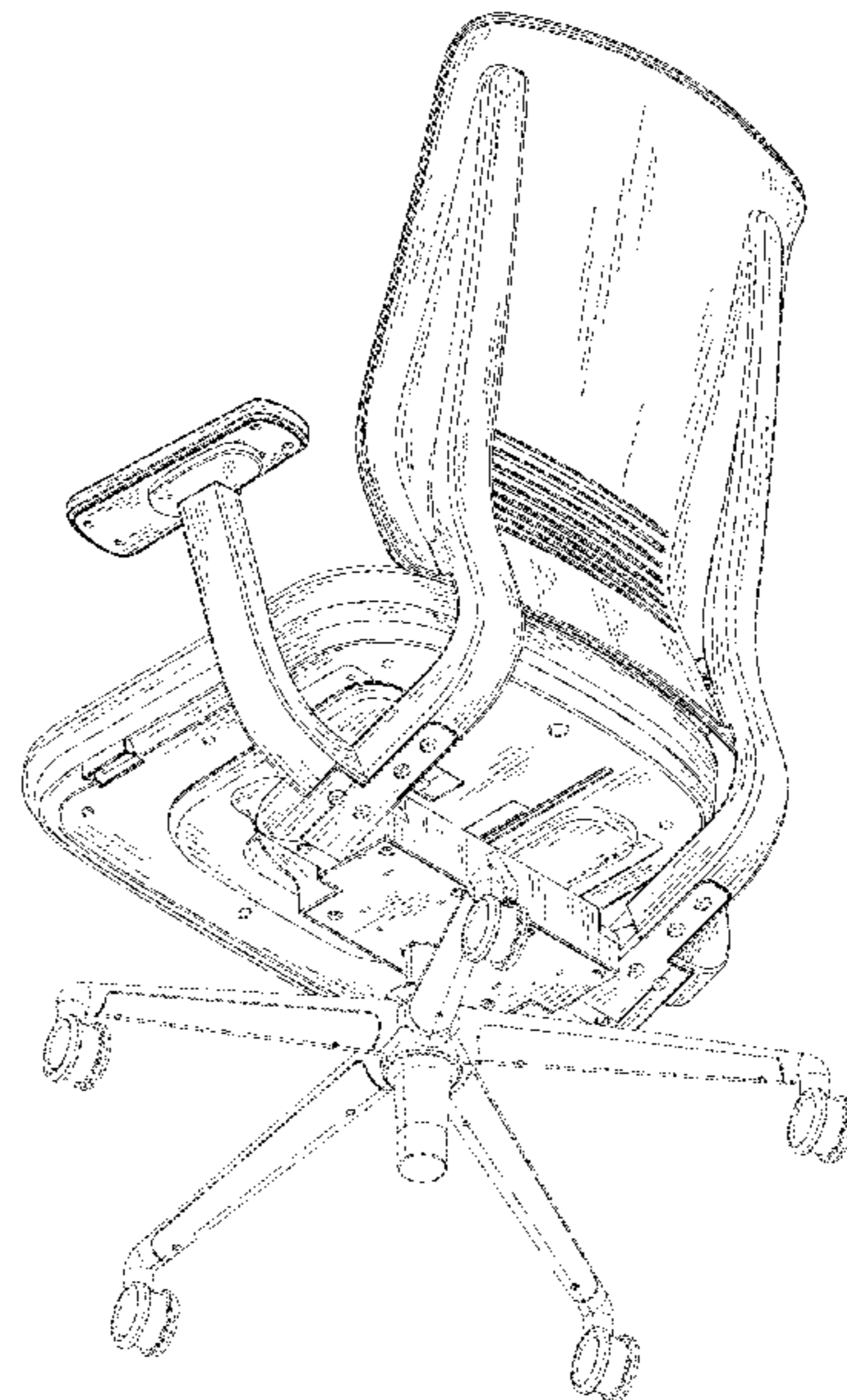
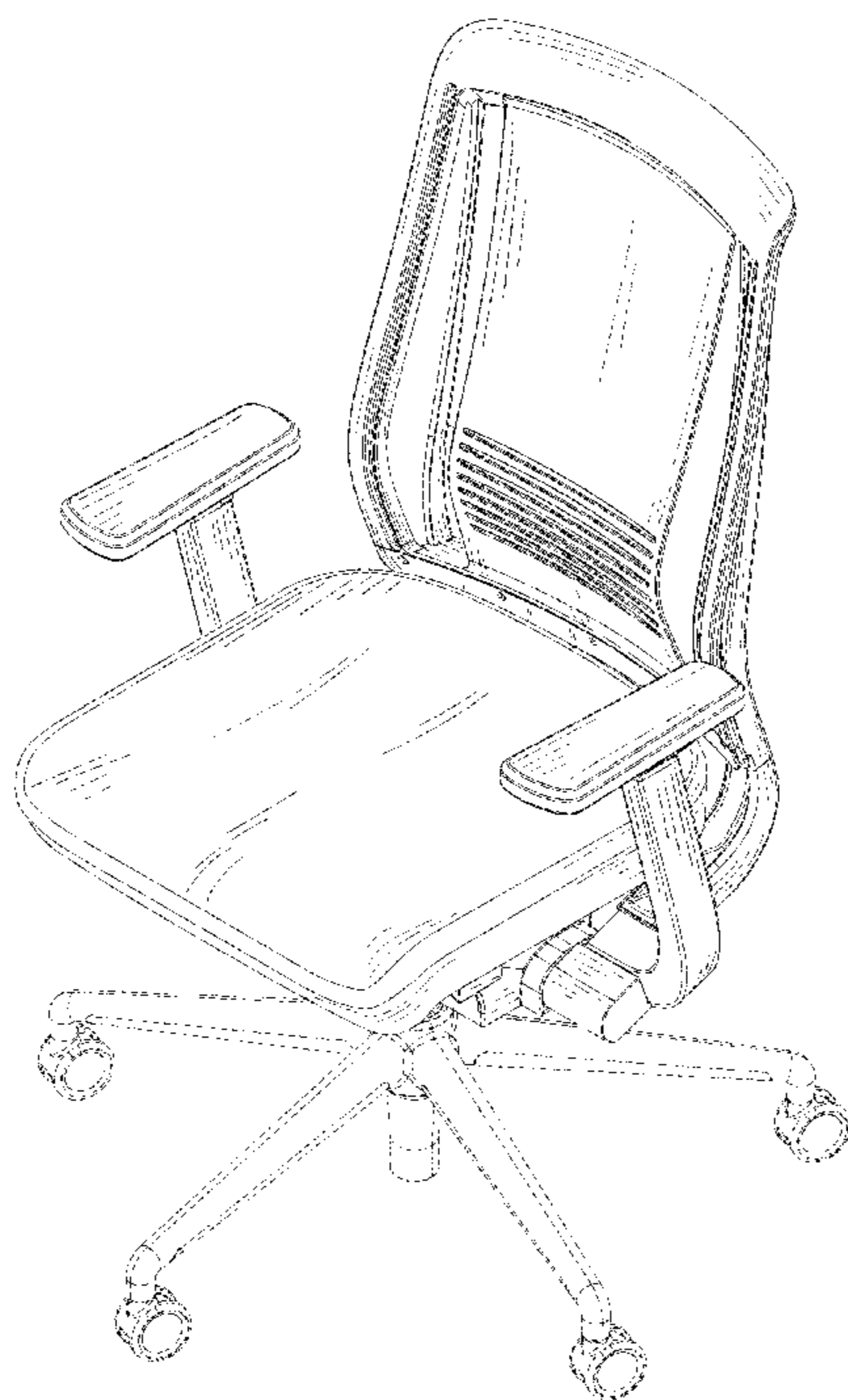
The ornamental design for a chair, as shown and described.

DESCRIPTION

FIG. 1 is a perspective view of a chair showing my new design;
FIG. 2 is a front elevational view thereof;
FIG. 3 is a rear elevational view thereof;
FIG. 4 is a left side elevational view thereof;
FIG. 5 is a right side elevational view thereof;
FIG. 6 is a bottom plan view thereof;
FIG. 7 is a top plan view thereof;
FIG. 8 is a front left perspective view thereof;
FIG. 9 is a front bottom perspective view thereof; and,
FIG. 10 is a rear bottom perspective view thereof.

The broken line showing wheels, legs, and fasteners is included for the purpose of illustrating environmental structure and forms no part of the claimed design.

1 Claim, 10 Drawing Sheets



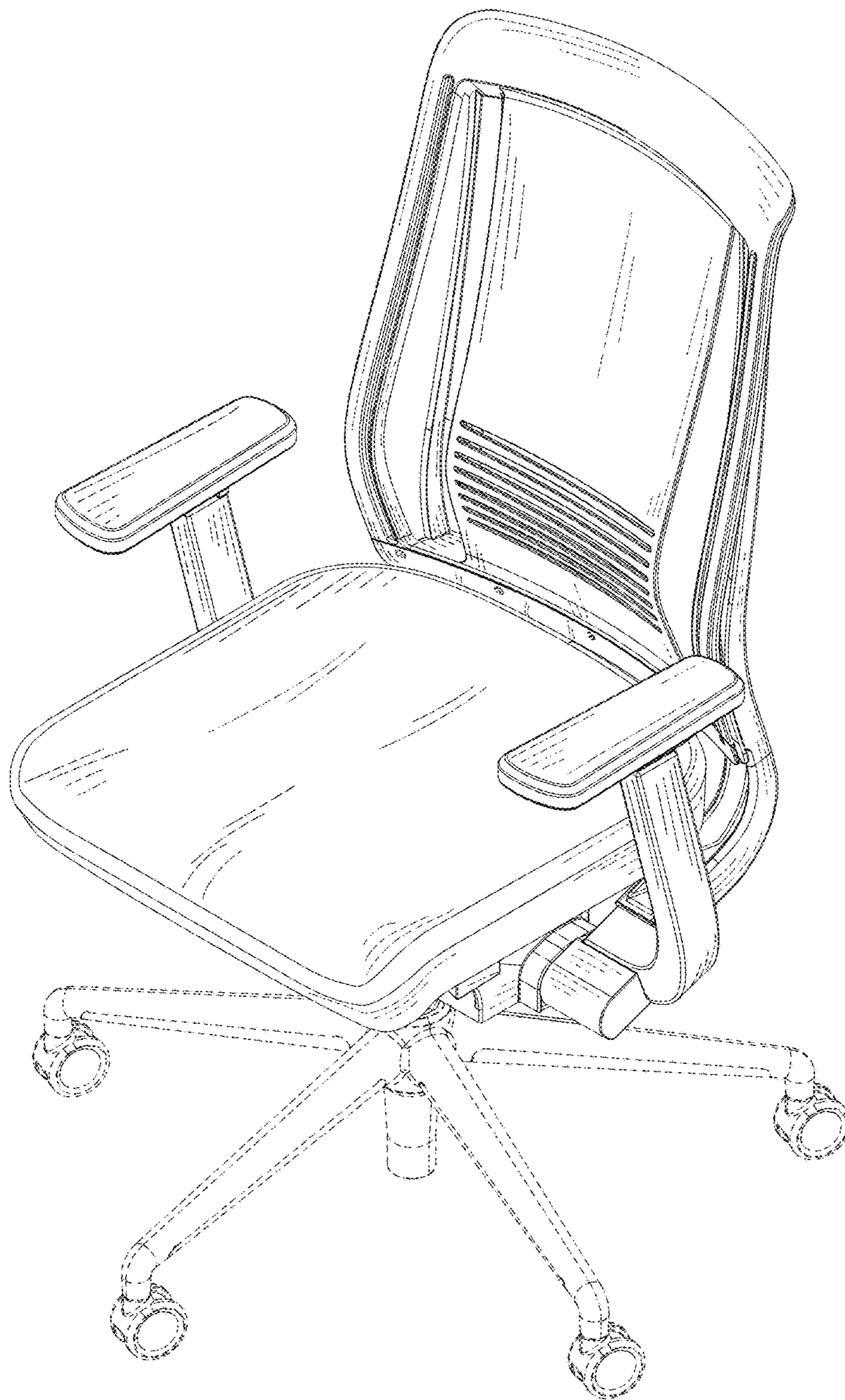


FIG. 1

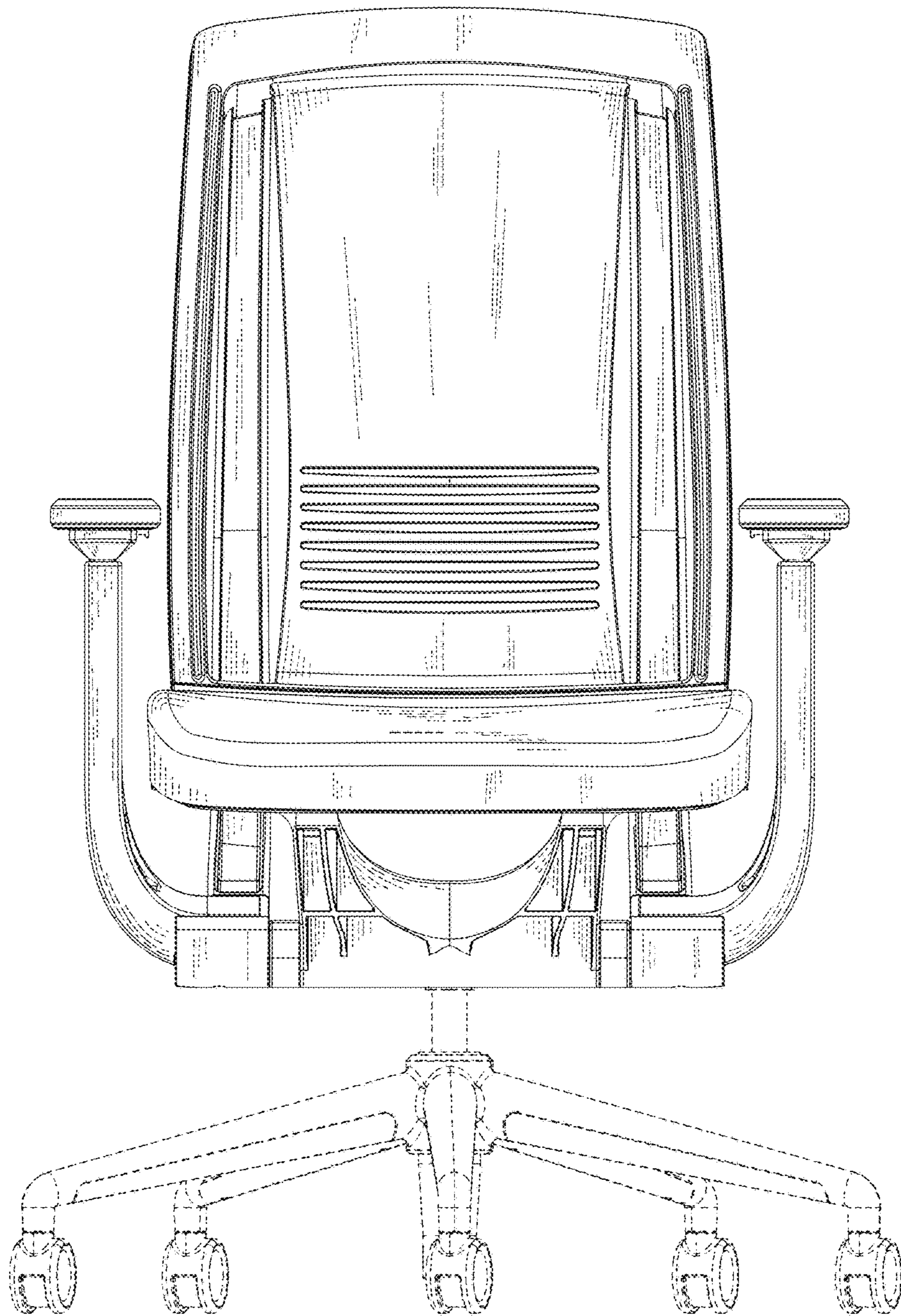


FIG. 2

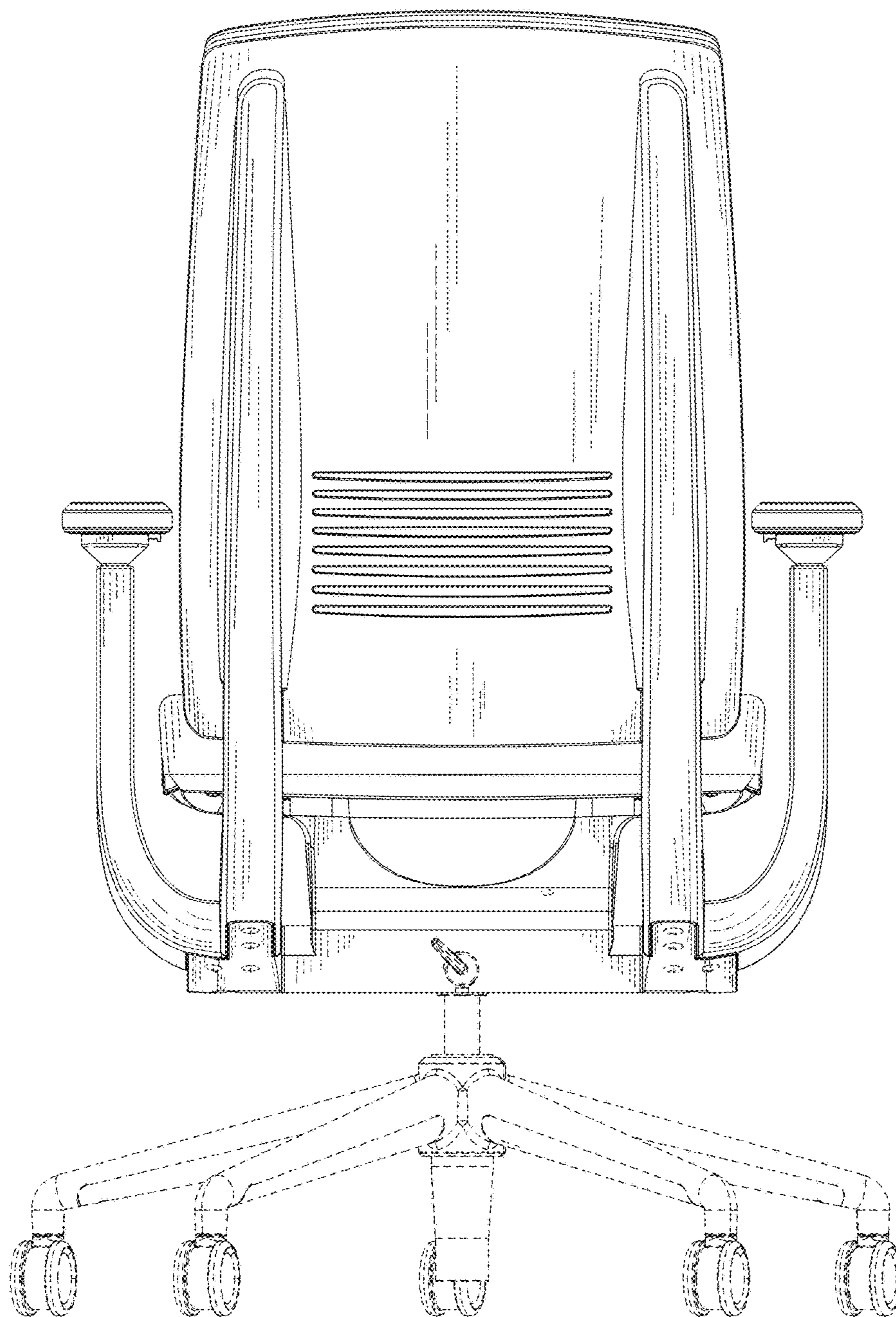


FIG. 3

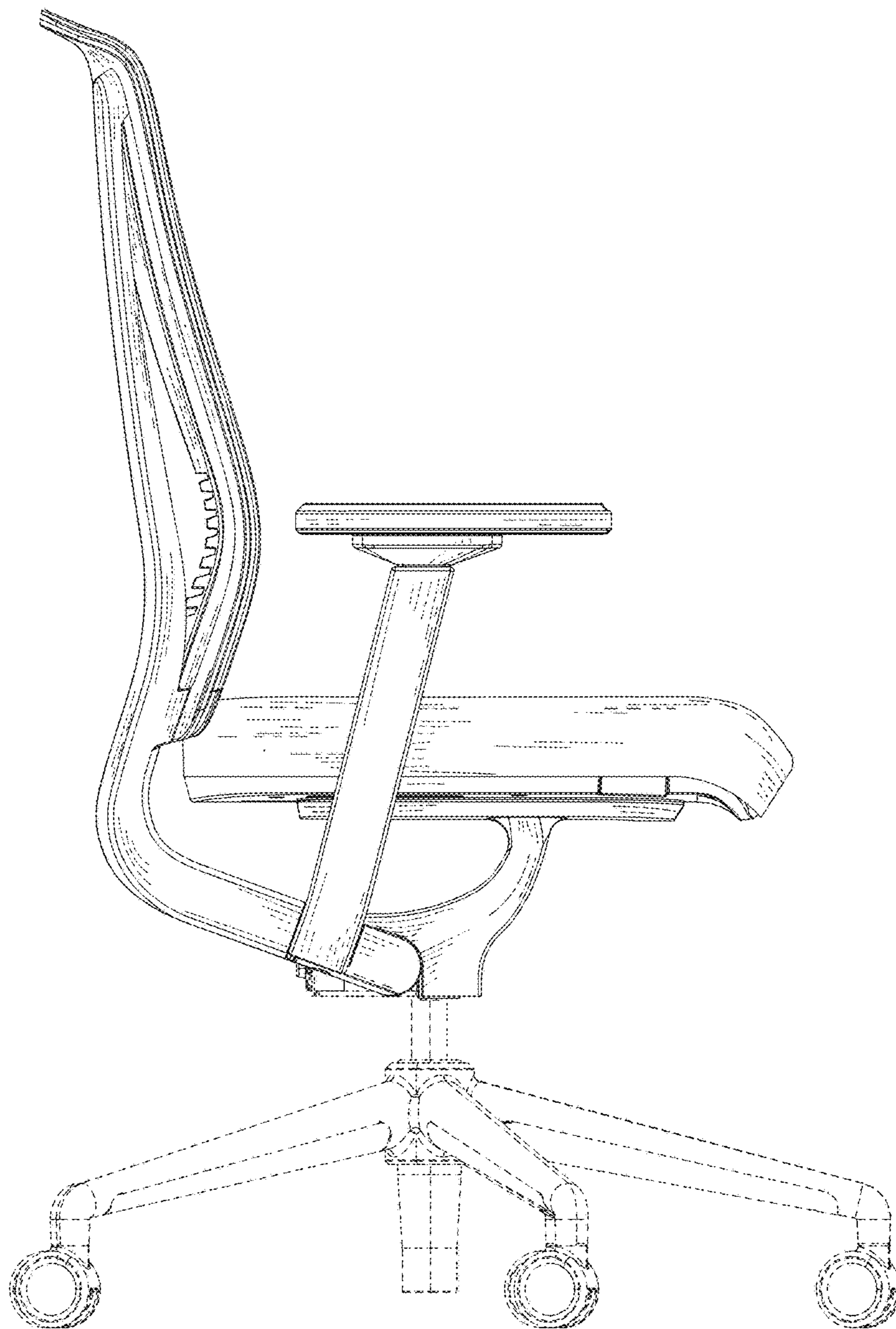


FIG. 4

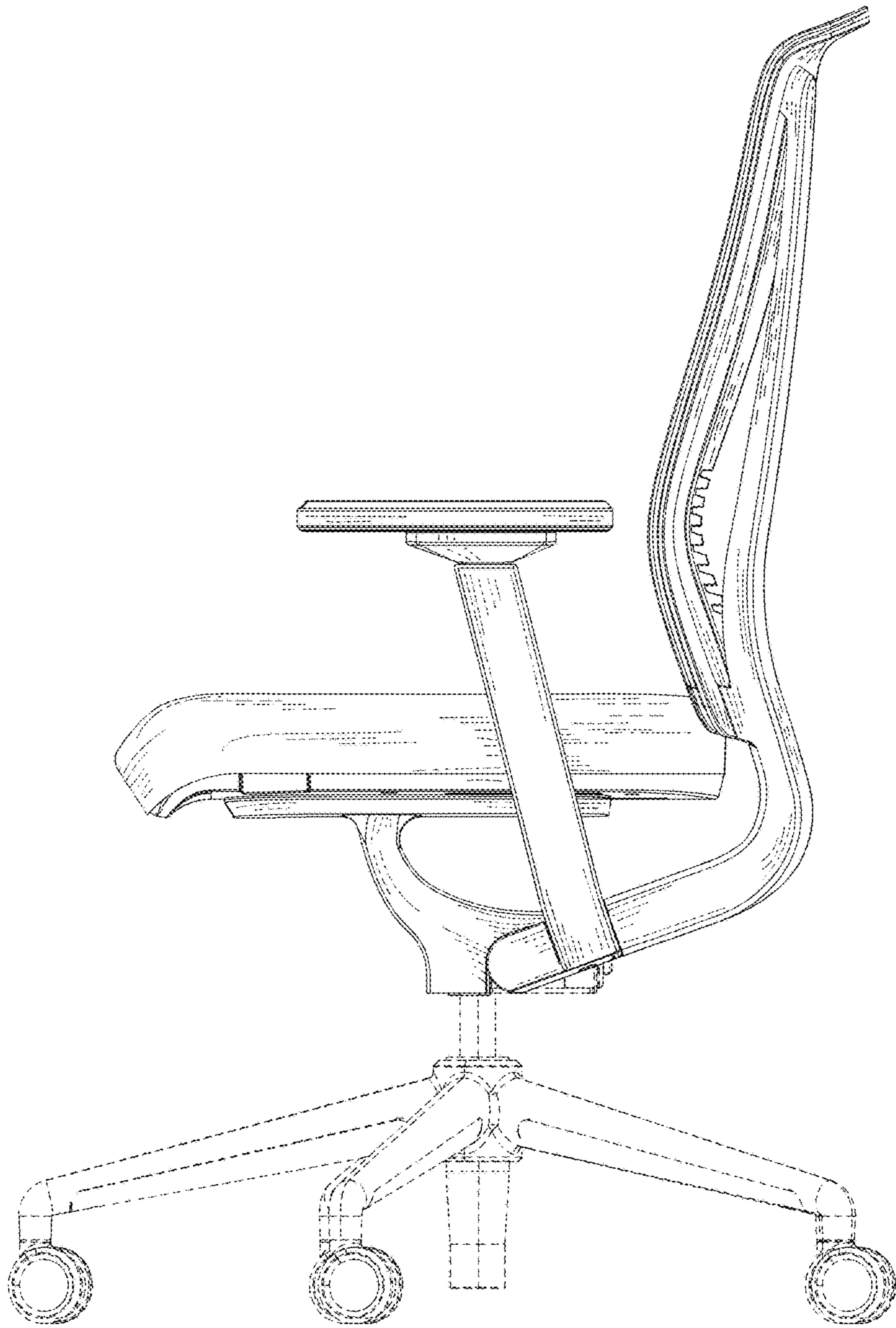


FIG. 5

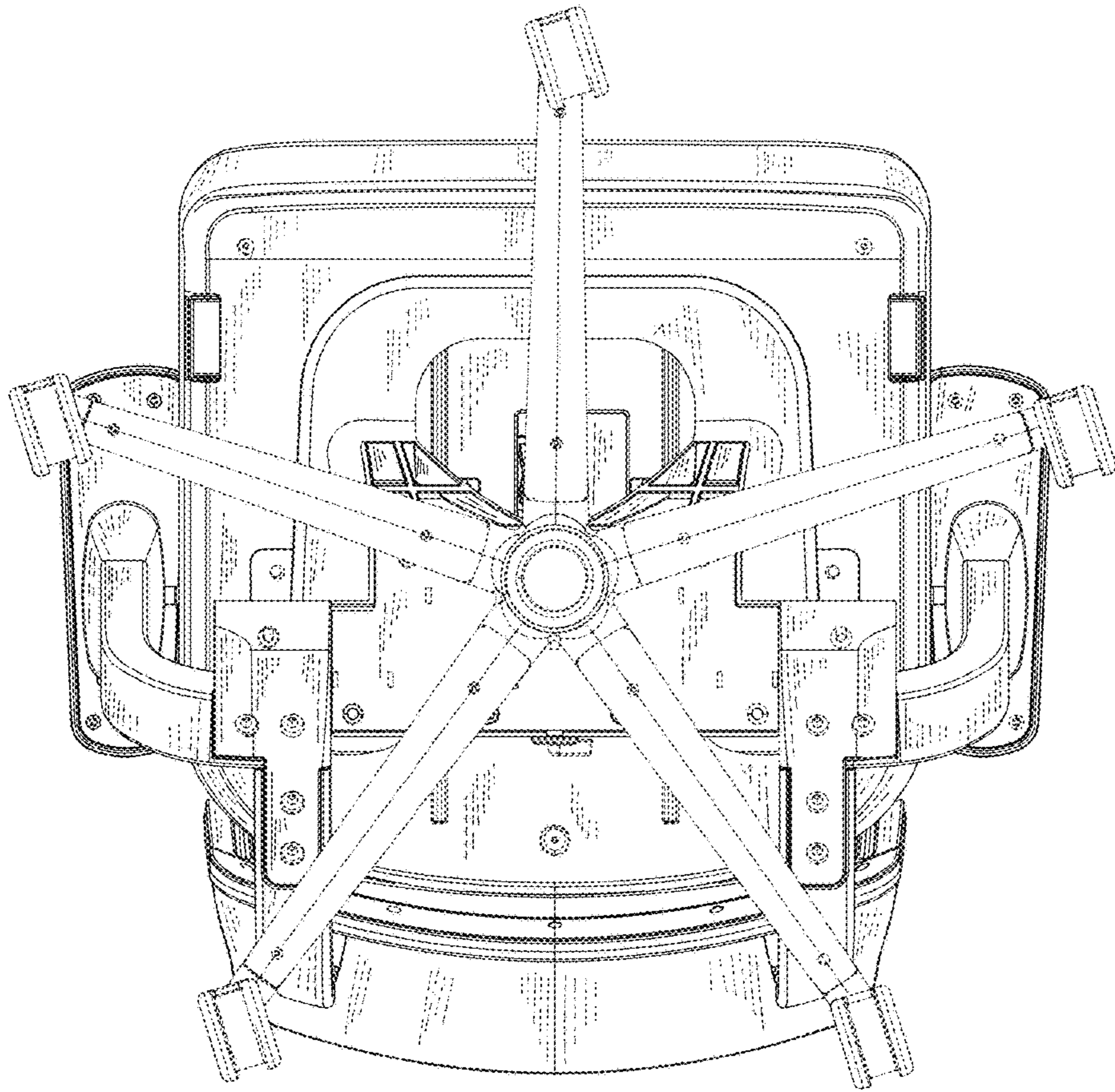


FIG. 6

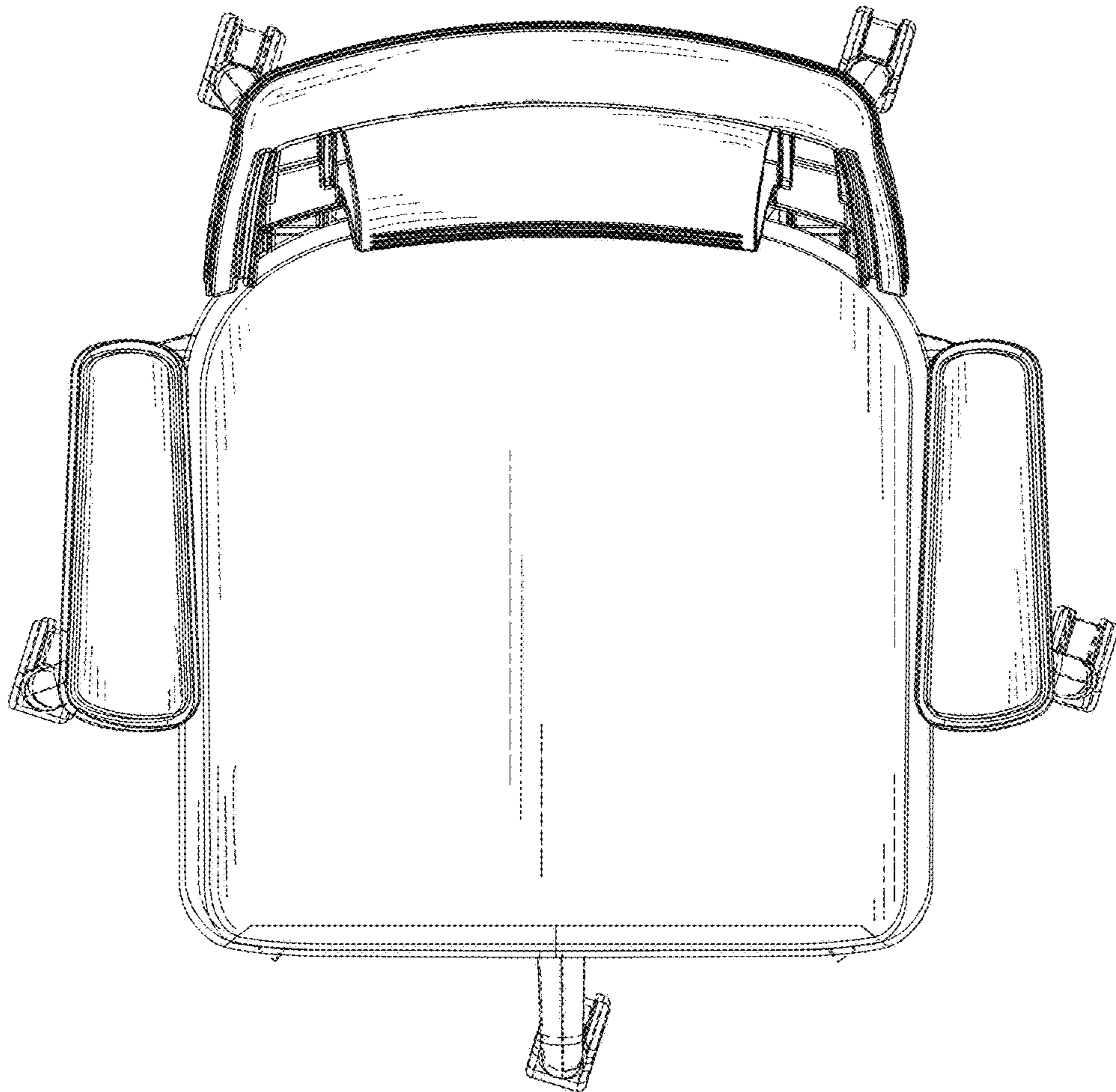


FIG. 7

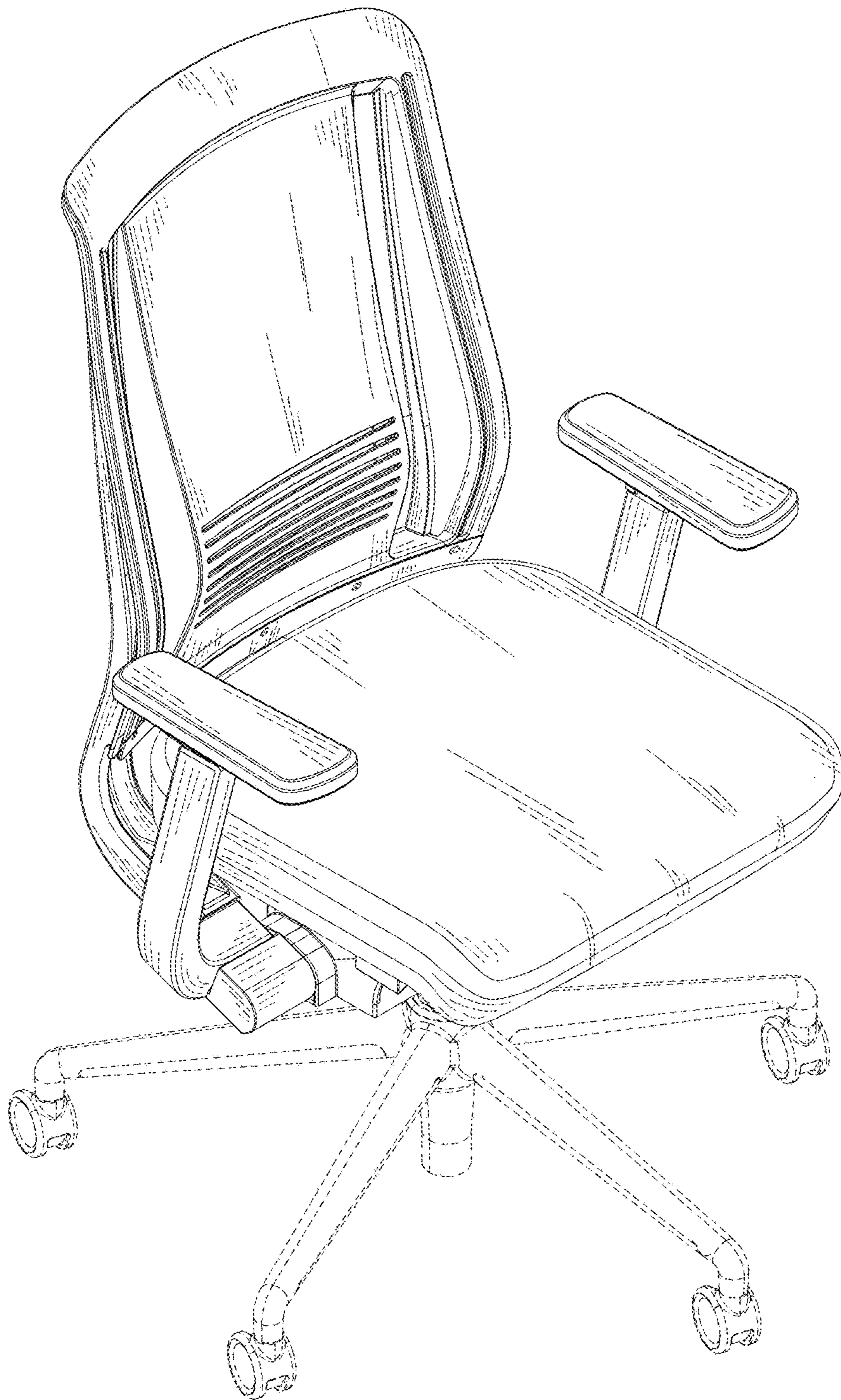


FIG. 8

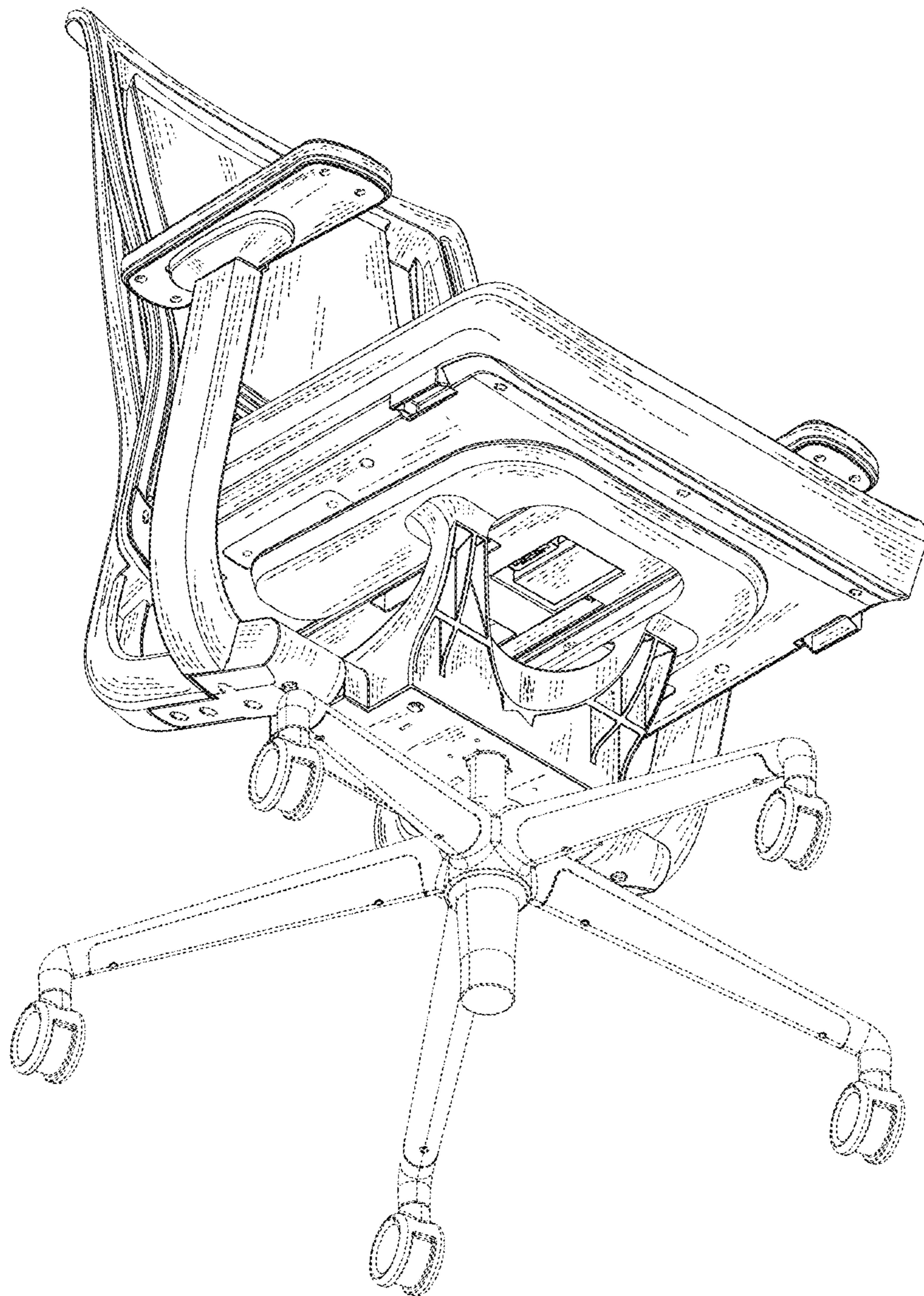


FIG. 9

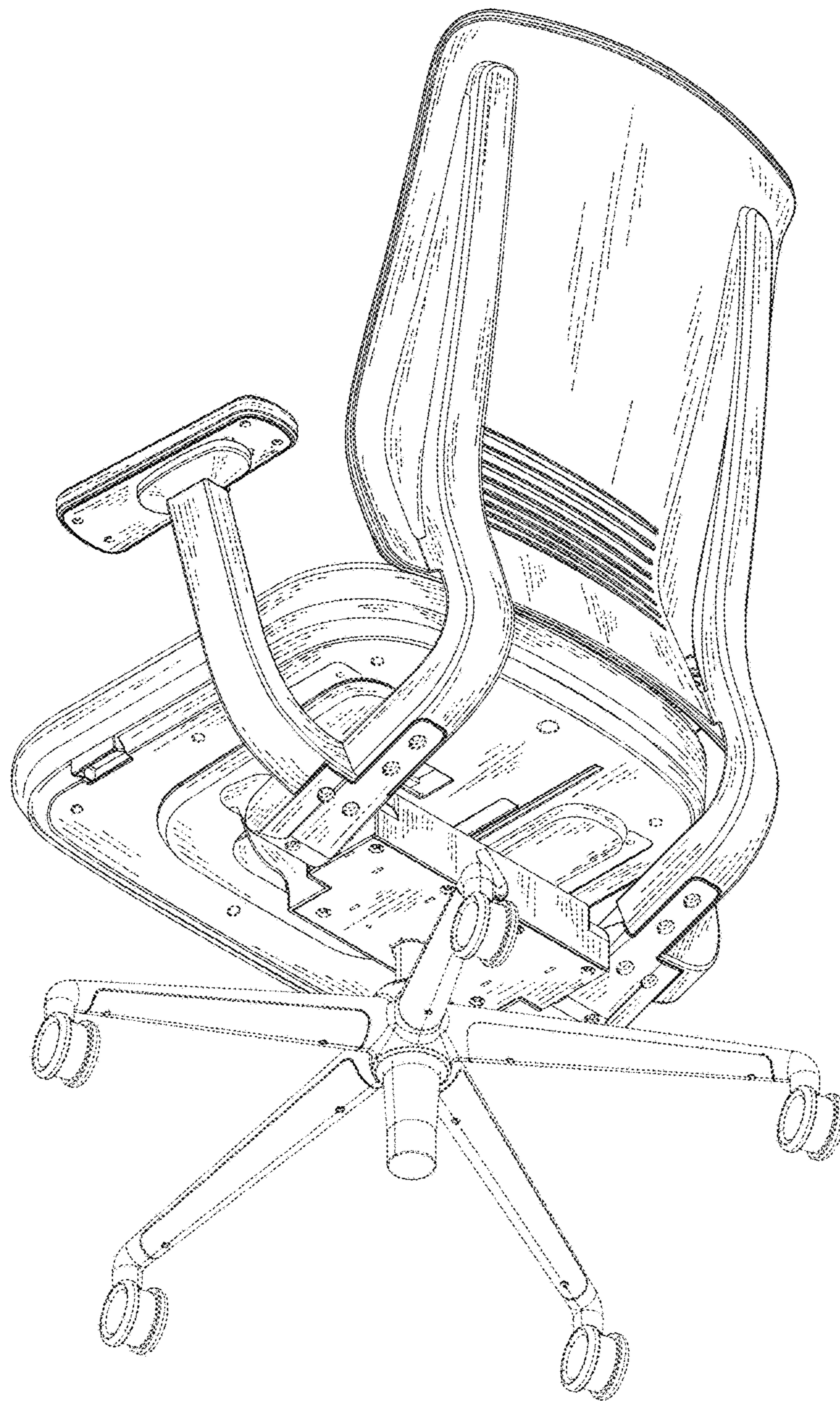


FIG. 10