



US00D774317S

(12) **United States Design Patent** (10) **Patent No.:** **US D774,317 S**
Taylor (45) **Date of Patent:** **** Dec. 20, 2016**

(54) **CLOTHES HANGER**
(71) Applicant: **The Janger Limited**, London (GB)
(72) Inventor: **Guy Taylor**, London (GB)
(73) Assignee: **The Janger Limited**, London (GB)
(**) Term: **15 Years**
(21) Appl. No.: **29/561,570**
(22) Filed: **Apr. 18, 2016**

Related U.S. Application Data

(62) Division of application No. 29/517,202, filed on Feb. 11, 2015.

Foreign Application Priority Data

Aug. 11, 2014 (EM) 002517748-0001
Aug. 11, 2014 (EM) 002517748-0002
Aug. 11, 2014 (EM) 002518043-0001
Aug. 13, 2014 (EM) 002519330-0001

(51) **LOC (10) Cl.** **06-08**

(52) **U.S. Cl.**
USPC **D6/323**

(58) **Field of Classification Search**

USPC D6/315-328; 223/85-98; 211/1, 10, 13.1,
211/85.3, 87.01, 113; 248/322, 339, 340,
248/692; D8/367
CPC A47G 25/32; A47G 25/28; A47G 25/442;
A47G 25/20; A47G 25/24; A47G
25/1421; A47G 25/1428; A47G 25/06;
A47G 25/52; A47G 25/38; A47G 25/50;
A47G 25/183; A47G 25/70; A47G
25/0607; A47G 2025/448; A47G 25/1414;
A47G 25/0678; A47G 25/44; A47F 7/19;
A47F 5/01; A47F 5/13

See application file for complete search history.

(56) **References Cited**

U.S. PATENT DOCUMENTS

D26,791 S 3/1897 Hirsh
2,954,621 A * 10/1960 Mosher, Jr. G09F 3/005
224/222
D194,177 S * 12/1962 Swett D6/546
3,212,647 A * 10/1965 Meyer A47G 25/1457
211/118
3,710,996 A * 1/1973 Smilow A47G 25/743
223/87
D229,810 S 1/1974 Searington
4,805,782 A * 2/1989 Hale A47G 25/10
211/113
5,005,741 A * 4/1991 Kolton B65D 73/0064
223/85
D331,425 S 12/1992 Rhyne
5,222,638 A * 6/1993 Kolton A47G 25/743
223/85
D349,864 S * 8/1994 Dunlap D10/32
D366,366 S 1/1996 Restaino

(Continued)

Primary Examiner — Derrick Holland

Assistant Examiner — Lauren Calve

(74) *Attorney, Agent, or Firm* — Renner, Otto, Boisselle
& Sklar, LLP

(57) **CLAIM**

The ornamental design for a clothes hanger, as shown and described.

DESCRIPTION

FIG. 1 is a rear perspective view of a clothes hanger showing my design.

FIG. 2 is a left side view thereof.

FIG. 3 is a front view thereof.

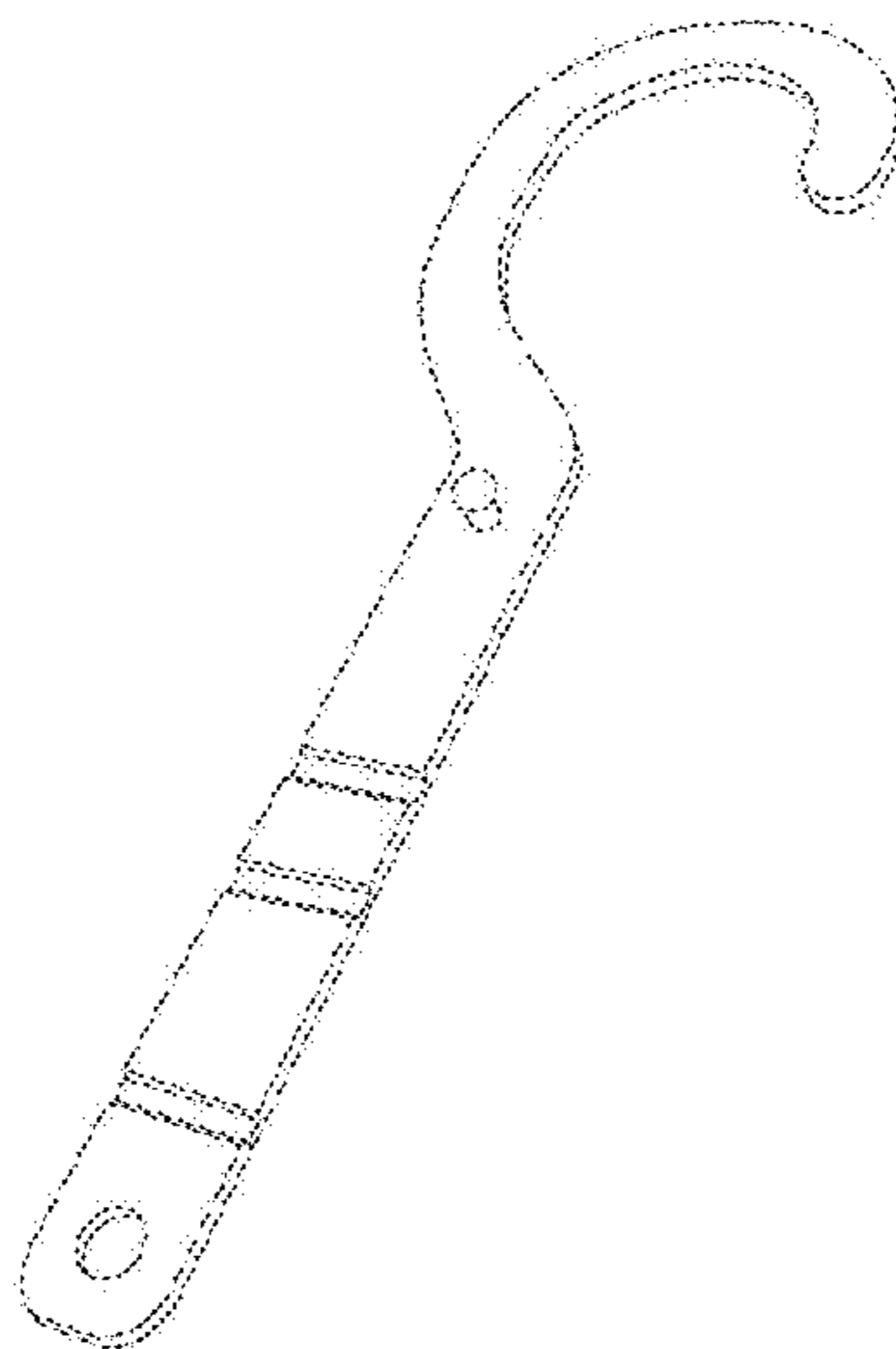
FIG. 4 is a right side view thereof.

FIG. 5 is a rear view thereof.

FIG. 6 is a top view thereof; and,

FIG. 7 is a bottom view thereof.

1 Claim, 2 Drawing Sheets



(56)

References Cited

U.S. PATENT DOCUMENTS

5,505,351 A * 4/1996 Najarian A41D 25/02
206/294
5,626,268 A * 5/1997 Kolton A47G 25/743
223/85
D382,431 S 8/1997 Parra
5,799,843 A * 9/1998 Hsu A47G 25/743
223/85
6,299,039 B1 10/2001 Hsu
6,497,347 B1 * 12/2002 Feibelman A47G 25/743
223/85
D511,087 S * 11/2005 Okamoto D8/354
D534,361 S * 1/2007 Wolf D6/323
8,651,344 B2 2/2014 Norman
D718,962 S 12/2014 Brett
D735,027 S * 7/2015 Fildan D9/415
2002/0104858 A1 8/2002 Woodworth
2004/0217249 A1 * 11/2004 Eisenbraun A47F 5/0006
248/323
2008/0110943 A1 * 5/2008 Kolton A47F 5/0006
223/85
2013/0015215 A1 1/2013 Coote
2014/0097213 A1 4/2014 Jensen

* cited by examiner

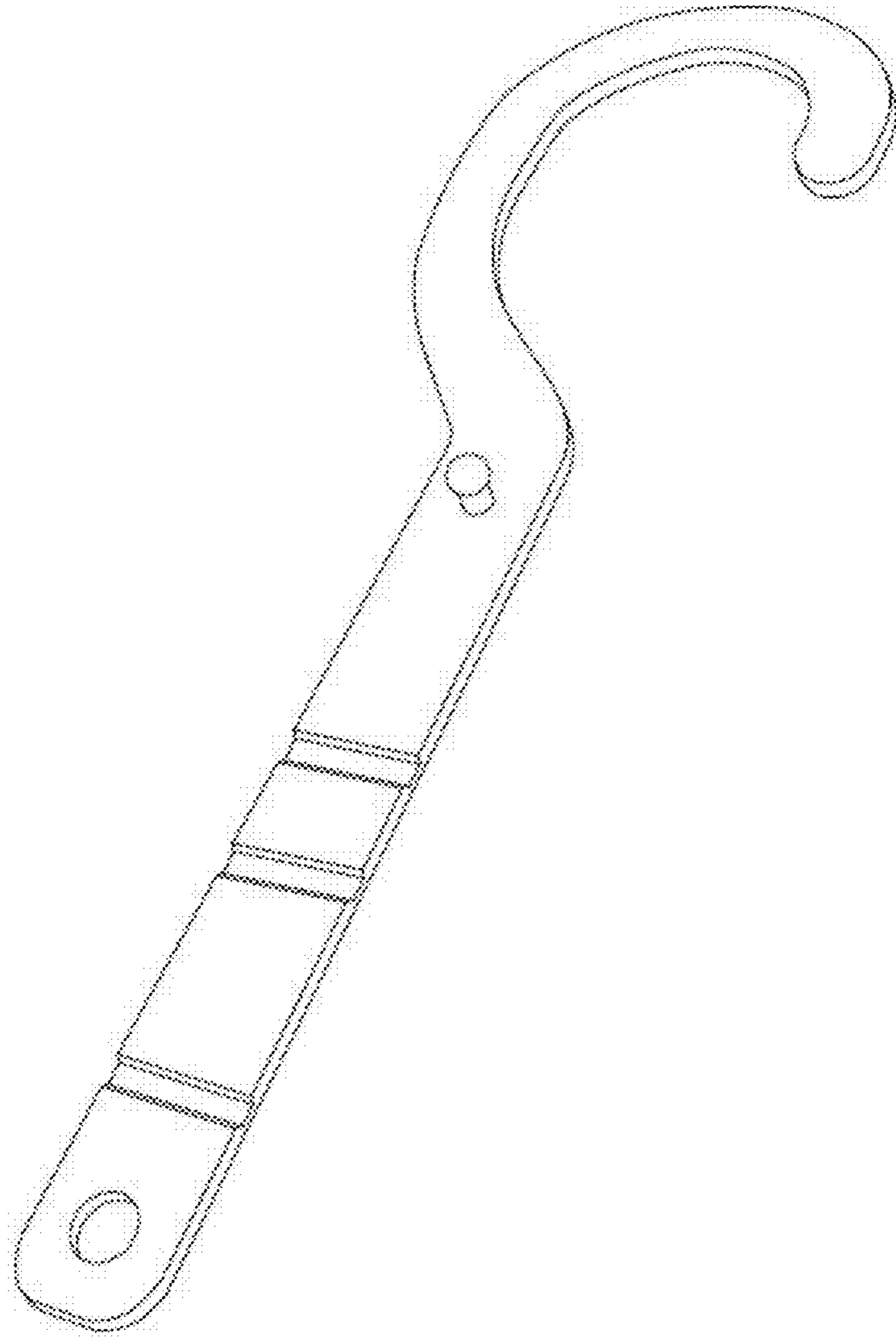


FIG. 1

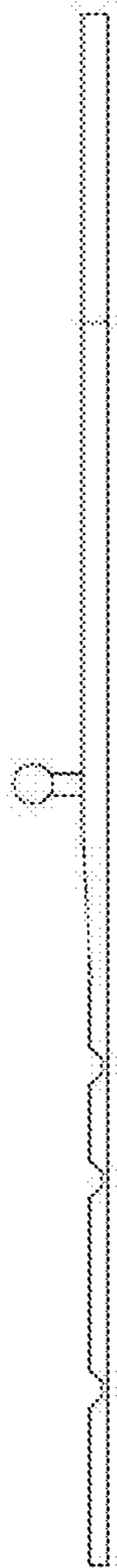


FIG. 2

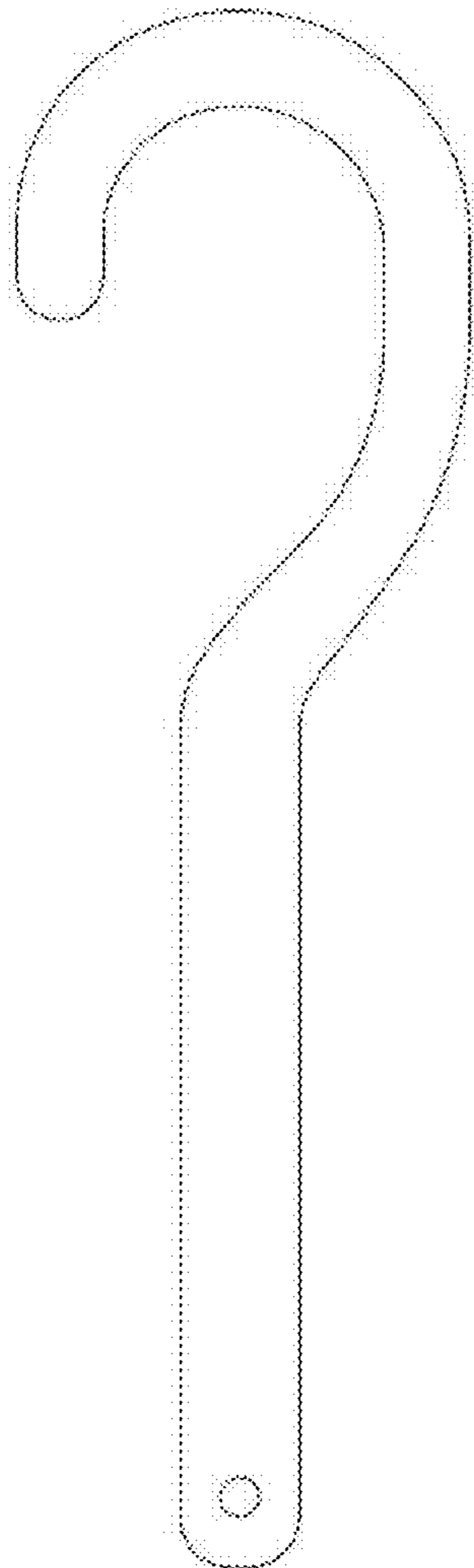


FIG. 3

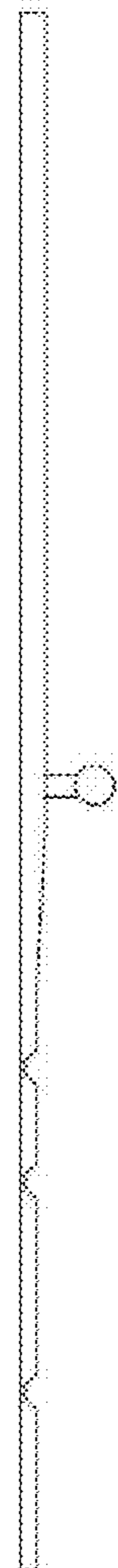


FIG. 4

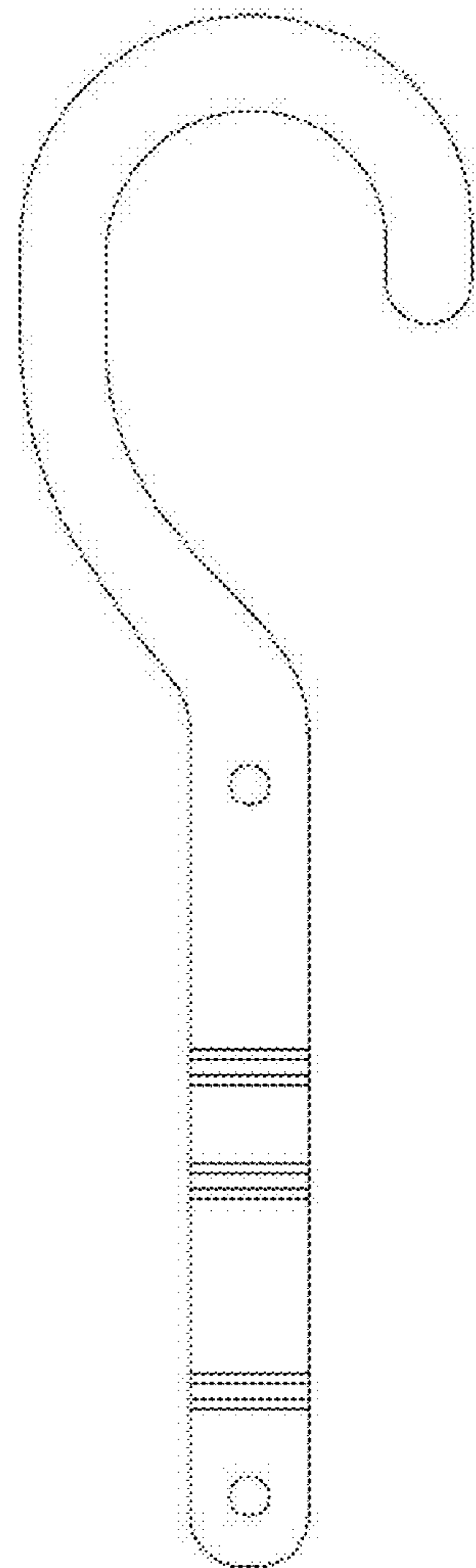


FIG. 5

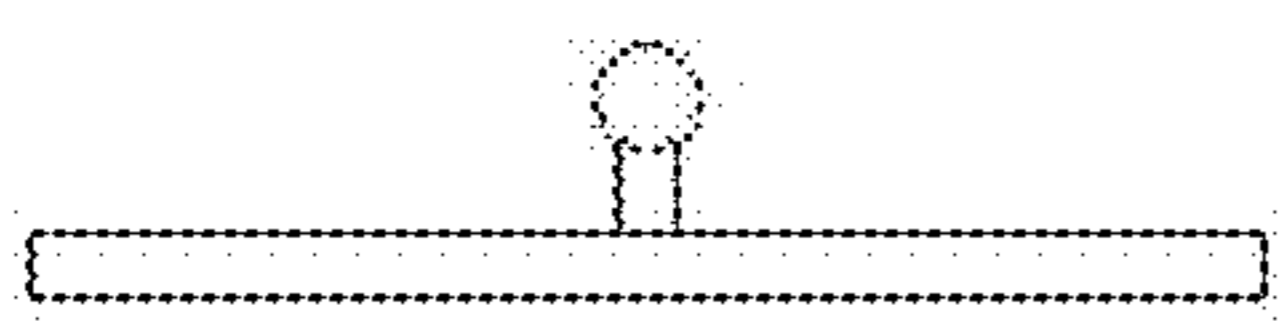


FIG. 6

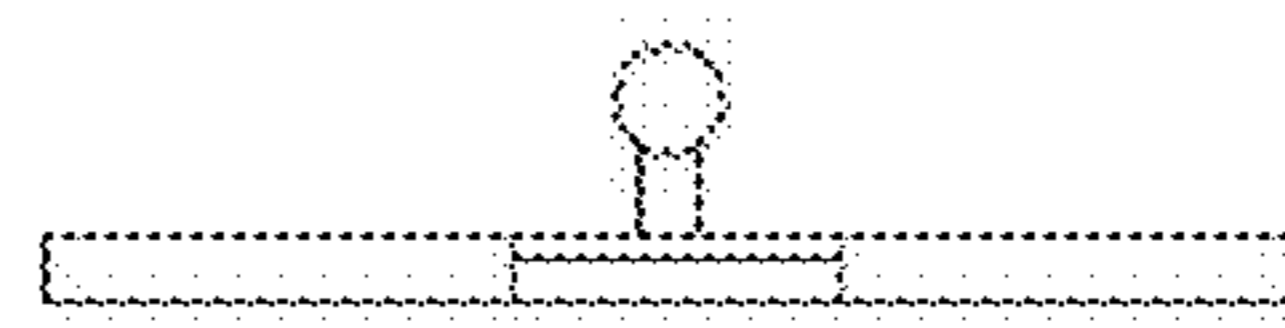


FIG. 7