



US00D774310S

(12) **United States Design Patent** (10) **Patent No.:** **US D774,310 S**  
**Hauger** (45) **Date of Patent:** **\*\* Dec. 20, 2016**

(54) **APPLICATOR BRUSH** 2200/1046; A46B 2200/20; A46B 2200/202; A46B 2200/40; A61C 3/06; A61C 17/22; A61C 17/0211; B29C 33/0027; B29C 45/2618; B29C 55/00; B29L 2031/425; B29L 2031/42; A61M 35/00; A61M 35/003; A61M  
(71) Applicant: **GEKA GmbH**, Bechhofen (DE)  
(72) Inventor: **Christian Hauger**, Donaueschingen (DE)  
(73) Assignee: **GEKA GMBH**, Bechhofen (DE) (Continued)

(\*\*) Term: **14 Years**  
(21) Appl. No.: **29/507,566**  
(22) Filed: **Oct. 29, 2014**  
(30) **Foreign Application Priority Data**

Apr. 30, 2014 (EM) ..... 002456426  
(51) **LOC (10) Cl.** ..... **04-01**  
(52) **U.S. Cl.**  
USPC ..... **D4/114; D4/136**

(58) **Field of Classification Search**  
USPC ..... D4/114, 135, 127, 136, 130; D9/723, D9/724, 715, 718, 436, 447, 445, 435, D9/448, 452-454; 401/132, 133, 270, 28, 401/118, 126, 129, 183, 184, 269, 268, 401/274, 278, 288, 291, 290, 262; 15/160, 15/207.2, 186-188, 167.1, 22.1, 167.2; 215/228; 220/212; 433/125, 166; 206/209, 206/15.2, 210, 15.3, 205, 361; 132/313, 132/317; 604/3; 601/141, 601/142  
CPC ..... A45D 34/04; A45D 34/042; A45D 34/00; A45D 34/043; A45D 34/045; A45D 40/0087; A45D 40/265; A45D 2034/005; A46D 1/00; A46D 1/0207; A46D 1/02; A46D 1/0246; A46D 1/0253; A46D 1/0276; A46B 11/001; A46B 11/0041; A46B 11/0013; A46B 11/00; A46B 11/0003; A46B 11/0006; A46B 11/0058; A46B 3/005; A46B 3/00; A46B 3/04; A46B 3/22; A46B 5/0095; A46B 7/04; A46B 7/00; A46B 7/044; A46B 7/048; A46B 1/00; A46B 13/008; A46B 9/028; A46B 9/04; A46B 2200/207; A46B

(56) **References Cited**  
U.S. PATENT DOCUMENTS  
1,694,636 A \* 12/1928 Barker ..... A46B 9/10 15/110  
1,801,196 A \* 4/1931 Grove ..... A45D 27/18 132/290

(Continued)  
FOREIGN PATENT DOCUMENTS  
DE 202011002272 U1 12/2012  
EP 2422643 A1 \* 2/2012 ..... A45D 34/045  
JP WO 2010122681 A1 \* 10/2010 ..... A45D 34/045

OTHER PUBLICATIONS  
Geka NeoPac Twist'n'Brush, <http://www.neopac.com/nc/news-neopac/news/newstext/article/tragen-sie-einmal-gezielt-auf-mit-der-twistnbrushTM-von-neopac-kopie-l.html>, 2016, 1 page.\*

*Primary Examiner* — Susan Moon Lee  
(74) *Attorney, Agent, or Firm* — Polson Intellectual Property Law, PC; Margaret Polson

(57) **CLAIM**  
The ornamental design for an applicator brush, as shown and described.

**DESCRIPTION**  
FIG. 1 is a front, left side perspective view of my new design for an applicator brush;  
FIG. 2 is a top plan view thereof;  
FIG. 3 is a bottom plan view thereof;  
(Continued)

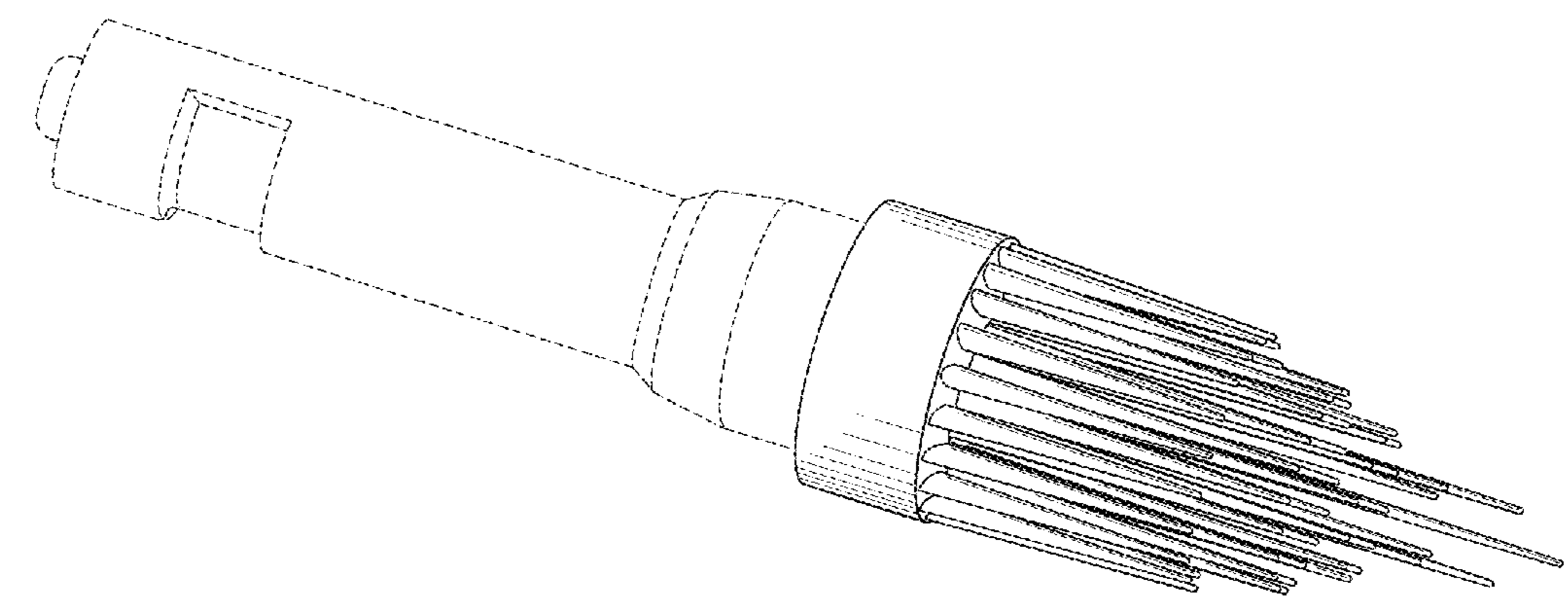


FIG. 4 is a left side elevation view thereof;  
 FIG. 5 is right side elevation view thereof;  
 FIG. 6 is a back elevation view thereof; and,  
 FIG. 7 is a front elevation view thereof.  
 The broken lines indicate parts of the applicator brush which are for illustrative purposes only and forms no part of the claimed design.

**1 Claim, 2 Drawing Sheets**

**(58) Field of Classification Search**

CPC ..... 39/00;B65D 47/44; B65D 47/2018;  
 B65D 47/00; B65D 47/04; B65D 51/24  
 See application file for complete search history.

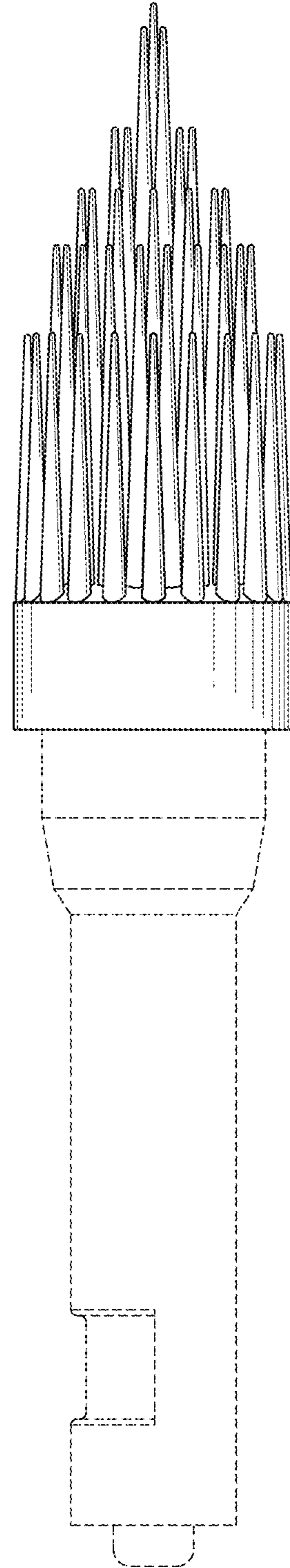
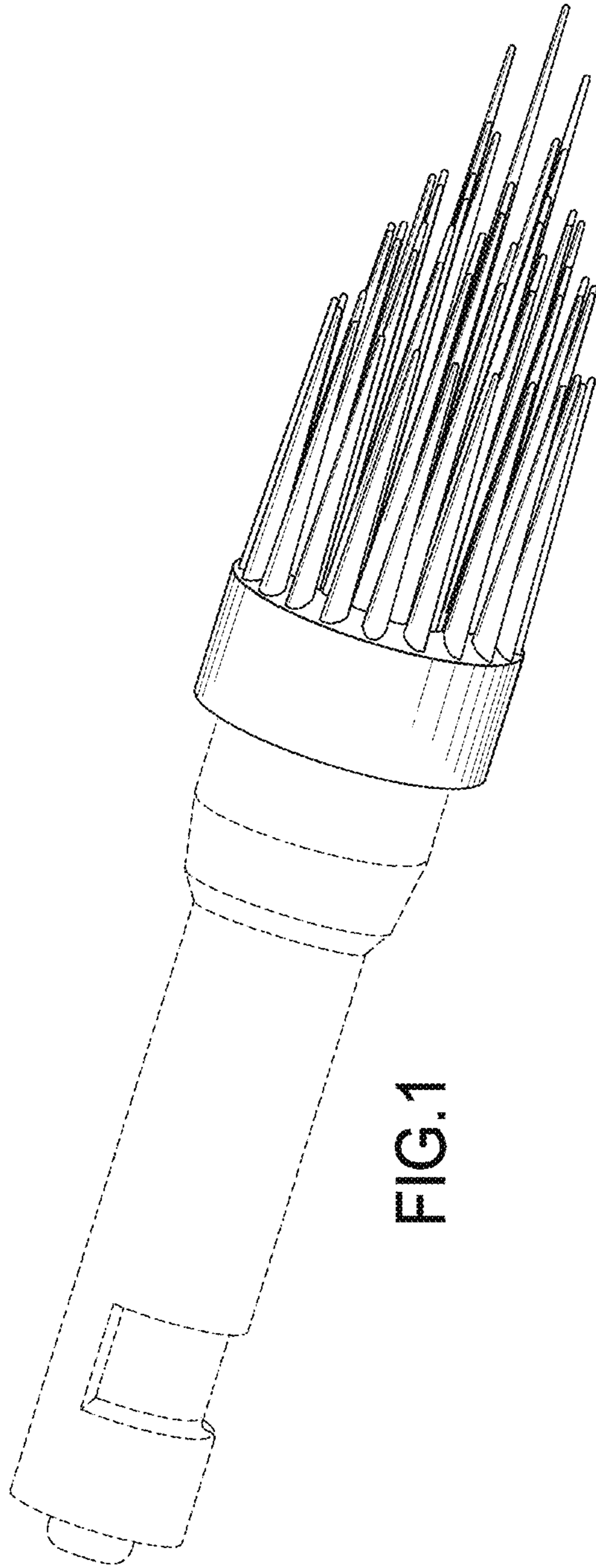
**(56) References Cited**

U.S. PATENT DOCUMENTS

2,167,523 A \* 7/1939 Reichenbach ..... A46B 11/0013  
 15/248.1  
 2,652,580 A \* 9/1953 Neugass ..... A46B 3/06  
 15/145  
 2,825,080 A \* 3/1958 Bongiovanni ..... A46B 11/0041  
 15/176.1  
 2,911,660 A \* 11/1959 Klemas ..... A61C 17/26  
 15/28  
 D188,397 S \* 7/1960 Hulsh ..... D4/114  
 D190,896 S \* 7/1961 Gerson ..... D24/211  
 3,029,464 A \* 4/1962 Springmeier ..... A47J 37/00  
 15/202  
 3,146,484 A \* 9/1964 Lussier ..... A46B 11/0013  
 401/186  
 D215,416 S \* 9/1969 Posada ..... D4/114  
 3,485,563 A \* 12/1969 Chennell ..... A45D 34/042  
 401/156  
 3,609,789 A \* 10/1971 Slater ..... A46B 1/00  
 15/104.94  
 D234,074 S \* 1/1975 Nilsson ..... D4/114  
 3,895,877 A \* 7/1975 Fomby ..... A46B 3/02  
 15/171  
 3,917,420 A \* 11/1975 Watson ..... A46B 11/00  
 132/308  
 D269,250 S \* 6/1983 Berghash ..... D9/436  
 D272,235 S \* 1/1984 Orlando ..... D9/436  
 D275,718 S \* 10/1984 Proctor ..... D4/127  
 4,561,214 A \* 12/1985 Inoue ..... A61C 3/06  
 15/104.14  
 4,712,936 A \* 12/1987 Kessler ..... A45D 40/265  
 300/21  
 4,752,015 A \* 6/1988 Schumacher ..... B65D 47/44  
 215/228  
 4,869,277 A \* 9/1989 Olsen ..... A46B 3/06  
 15/167.1  
 4,974,984 A \* 12/1990 Kafkis ..... A45D 34/042  
 401/186  
 D314,280 S \* 2/1991 Buecheler ..... D4/114  
 5,040,260 A \* 8/1991 Michaels ..... A46B 9/005  
 15/167.1  
 5,066,157 A \* 11/1991 Liff ..... B65D 35/36  
 401/270  
 5,071,348 A \* 12/1991 Woog ..... A61C 17/26  
 132/308  
 5,186,563 A \* 2/1993 Gebhard ..... A46B 11/0027  
 222/214  
 D346,959 S \* 5/1994 Adams ..... D9/725  
 5,460,883 A \* 10/1995 Barber, Jr. .... A46D 1/00  
 428/370  
 D374,613 S \* 10/1996 Maxwell ..... D24/115  
 D376,048 S \* 12/1996 Gerhart ..... D4/114  
 D376,479 S \* 12/1996 Bresler ..... D4/114  
 5,679,067 A \* 10/1997 Johnson ..... A46B 3/005  
 451/527

D385,704 S \* 11/1997 Williams ..... D4/114  
 5,934,187 A \* 8/1999 Leon ..... A23B 4/28  
 99/345  
 6,270,277 B1 \* 8/2001 Ogino ..... A46B 11/0013  
 401/262  
 6,315,483 B1 \* 11/2001 Velliquette ..... A46B 11/0041  
 224/490  
 6,428,230 B2 \* 8/2002 Rodgers ..... A46B 11/0013  
 401/17  
 6,554,614 B1 \* 4/2003 Dubbe ..... A46B 3/005  
 15/167.1  
 6,575,651 B1 \* 6/2003 Bertothy ..... A46B 11/0013  
 401/126  
 D487,637 S \* 3/2004 Price ..... D4/114  
 6,726,789 B1 \* 4/2004 Weihrauch ..... A46D 1/08  
 156/72  
 D497,259 S \* 10/2004 Lion ..... D4/127  
 D508,778 S \* 8/2005 Jensen ..... D4/135  
 D510,663 S \* 10/2005 Jensen ..... D4/135  
 D510,863 S \* 10/2005 Juhng ..... D9/436  
 D511,896 S \* 11/2005 Wu ..... D4/114  
 7,059,006 B1 \* 6/2006 Huff ..... A46B 3/12  
 15/146  
 D533,721 S \* 12/2006 Urra ..... D4/114  
 D550,965 S \* 9/2007 Kaposi ..... D4/114  
 D550,966 S \* 9/2007 Kaposi ..... D4/114  
 D555,360 S \* 11/2007 Lee ..... D4/114  
 D558,540 S \* 1/2008 White ..... D29/114  
 D591,169 S \* 4/2009 Otsuka ..... D9/724  
 D591,512 S \* 5/2009 Mongeon ..... D28/7  
 D594,233 S \* 6/2009 Cook ..... D4/114  
 7,581,546 B2 \* 9/2009 Dumler ..... A45D 40/262  
 132/218  
 D608,097 S \* 1/2010 Zanjani ..... D4/114  
 D612,614 S \* 3/2010 Maxwell ..... D4/114  
 D616,204 S \* 5/2010 Zemel ..... D4/114  
 8,011,053 B2 \* 9/2011 Batzel ..... A46B 3/08  
 15/104.061  
 D654,792 S \* 2/2012 Bertelsen ..... D9/436  
 D656,819 S \* 4/2012 Porter ..... D9/436  
 D660,005 S \* 5/2012 Prague ..... D4/114  
 8,240,938 B2 \* 8/2012 Maxwell ..... A46B 11/0041  
 401/268  
 D668,052 S \* 10/2012 Maxwell ..... D4/114  
 D688,003 S \* 8/2013 Mantle ..... D28/7  
 D688,419 S \* 8/2013 Takagi ..... D28/7  
 D691,810 S \* 10/2013 Dana ..... D4/108  
 8,677,541 B2 \* 3/2014 Meadows ..... A61C 17/0211  
 15/167.1  
 8,881,334 B2 \* 11/2014 Jossem ..... A46B 5/0008  
 15/176.1  
 8,887,344 B2 \* 11/2014 Bachar ..... A46B 1/00  
 15/117  
 2003/0145406 A1 \* 8/2003 Wang ..... A46B 7/04  
 15/176.1  
 2005/0117962 A1 \* 6/2005 Lion ..... A46B 7/04  
 401/278  
 2006/0096053 A1 \* 5/2006 Fischer ..... A46D 1/0284  
 15/167.1  
 2007/0034223 A1 \* 2/2007 Dumler ..... A45D 40/262  
 132/218  
 2007/0201941 A1 \* 8/2007 Koptis ..... A46B 7/02  
 401/290  
 2008/0271272 A1 \* 11/2008 Righetto ..... A47L 13/26  
 15/41.1  
 2009/0095316 A1 \* 4/2009 Gensch ..... A45D 40/18  
 132/317  
 2010/0287718 A1 11/2010 Kim  
 2012/0096664 A1 \* 4/2012 Sayeed ..... A46D 1/0215  
 15/167.1  
 2015/0282589 A1 \* 10/2015 Hauger ..... A61M 35/003  
 206/461  
 2016/0015150 A1 \* 1/2016 Casasanta, III ..... A45D 40/262  
 401/4

\* cited by examiner



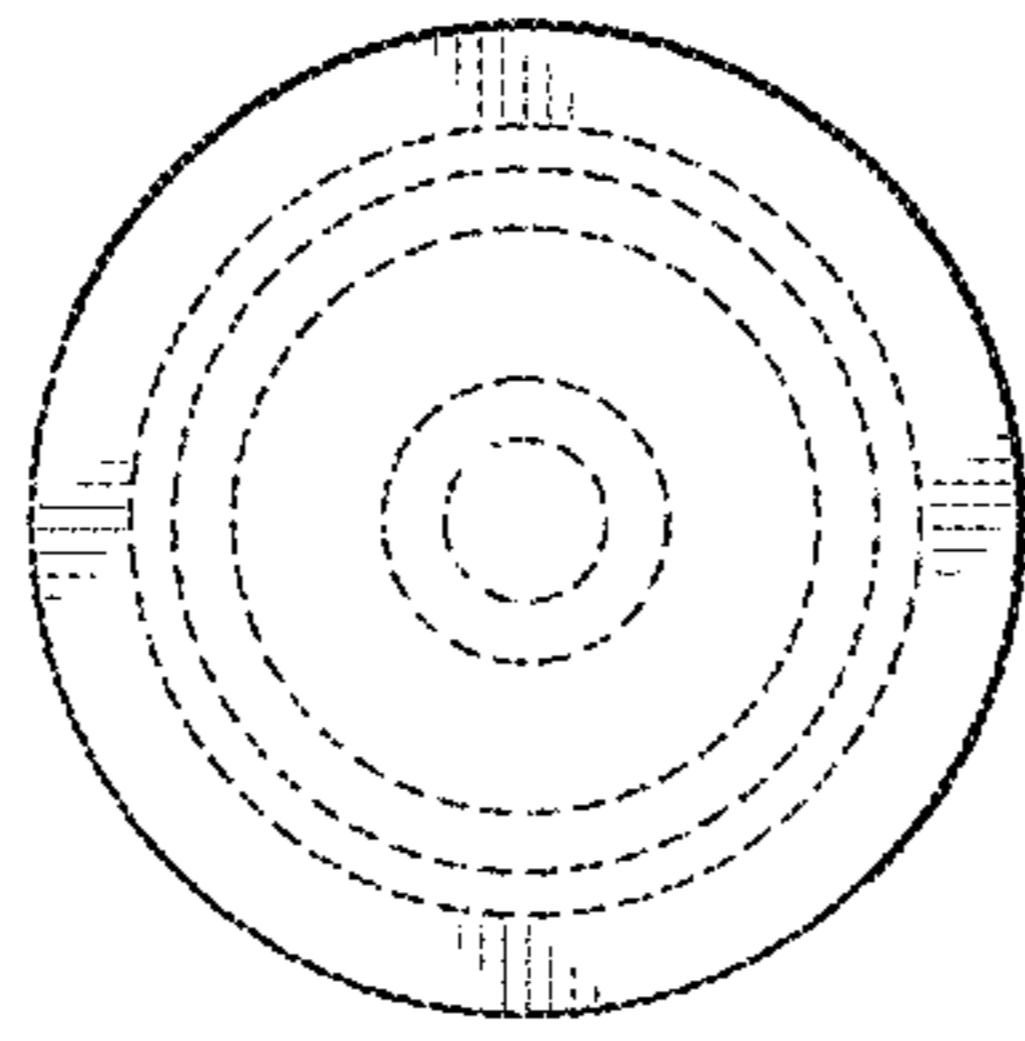


FIG. 6

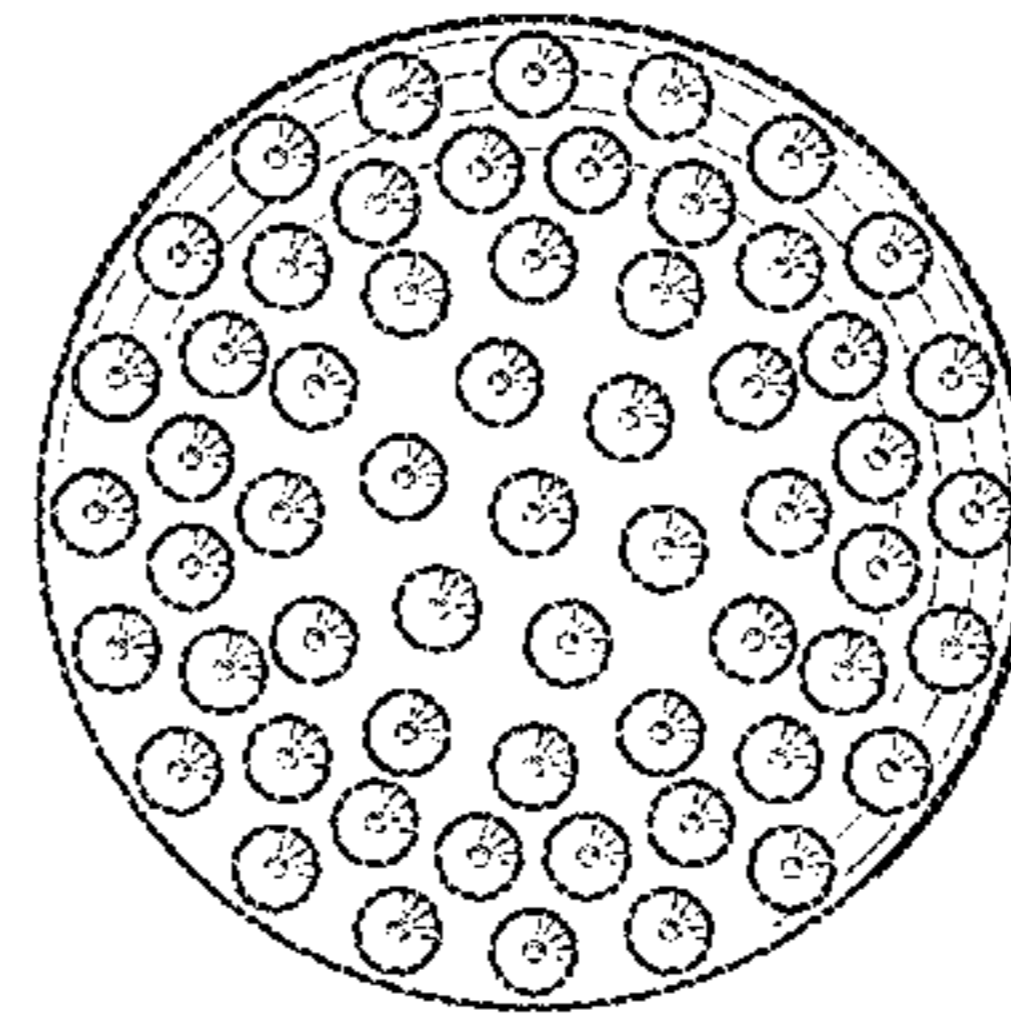


FIG. 7

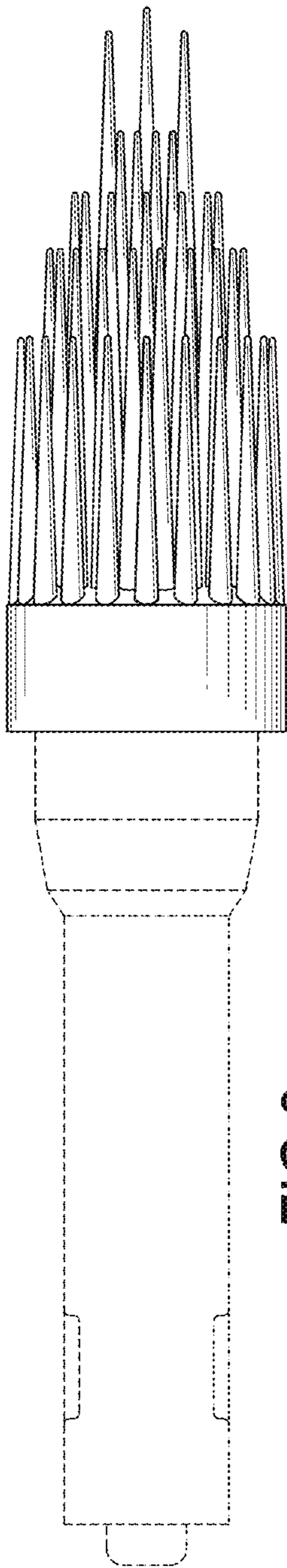


FIG. 3

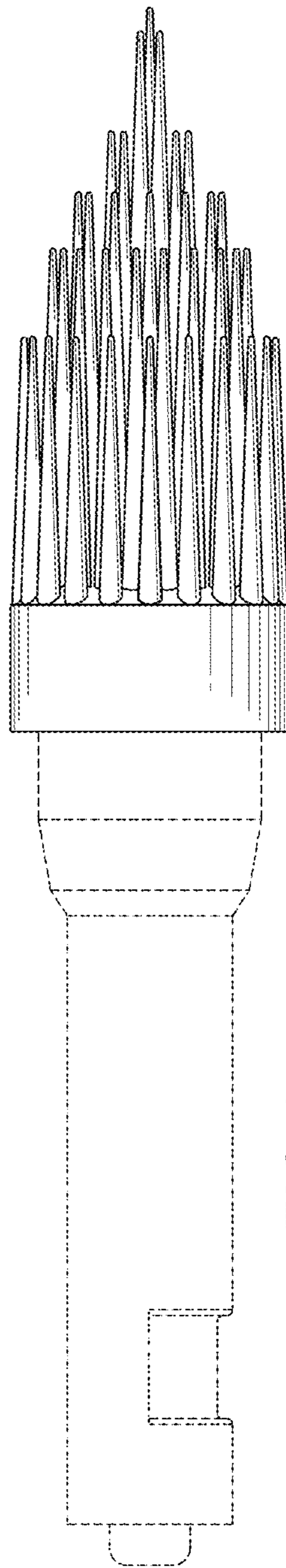


FIG. 4

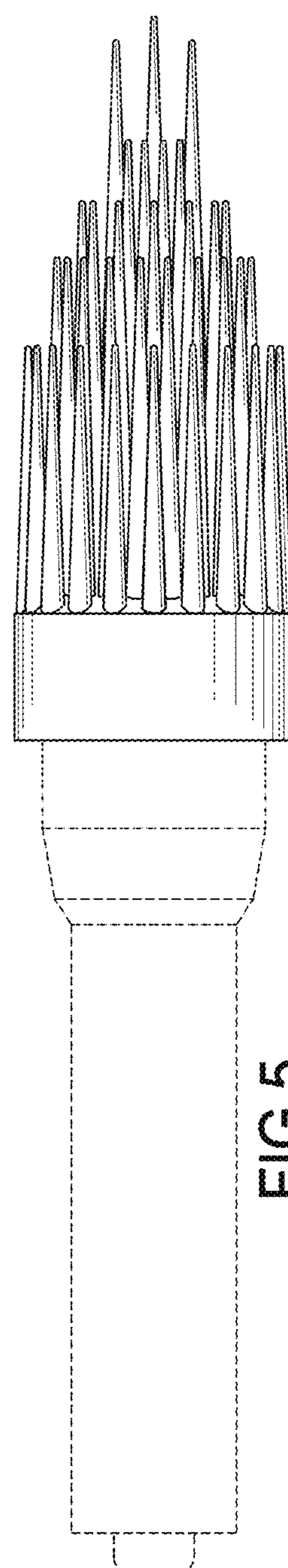


FIG. 5