



US00D774306S

(12) **United States Design Patent**
Hanzek et al.

(10) **Patent No.:** **US D774,306 S**

(45) **Date of Patent:** **** Dec. 20, 2016**

(54) **GOLF BAG BASE**

D686,822 S * 7/2013 Chapman D3/255

* cited by examiner

(71) Applicant: **CALLAWAY GOLF COMPANY**,
Carlsbad, CA (US)

Primary Examiner — Holly Baynham

(72) Inventors: **Derek Hanzek**, San Diego, CA (US);
Matt Kovacevich, Oceanside, CA (US)

(74) *Attorney, Agent, or Firm* — Rebecca Hanovice;
Michael Catania; Sonia Lari

(73) Assignee: **Callaway Golf Company**, Carlsbad,
CA (US)

(57) **CLAIM**

(**) Term: **15 Years**

The ornamental design for a golf bag base, as shown and described.

(21) Appl. No.: **29/547,008**

(22) Filed: **Nov. 30, 2015**

(51) **LOC (10) Cl.** **03-01**

(52) **U.S. Cl.**

USPC **D3/318**

(58) **Field of Classification Search**

USPC D3/355, 318

CPC A63B 55/00

See application file for complete search history.

(56) **References Cited**

U.S. PATENT DOCUMENTS

D644,837 S * 9/2011 Anderson D3/255

D675,431 S * 2/2013 Tang D3/255

DESCRIPTION

FIG. 1 is a top perspective view the golf bag base claimed herein;

FIG. 2 is a front plan view thereof;

FIG. 3 is a rear plan view thereof;

FIG. 4 is a left side plan view thereof;

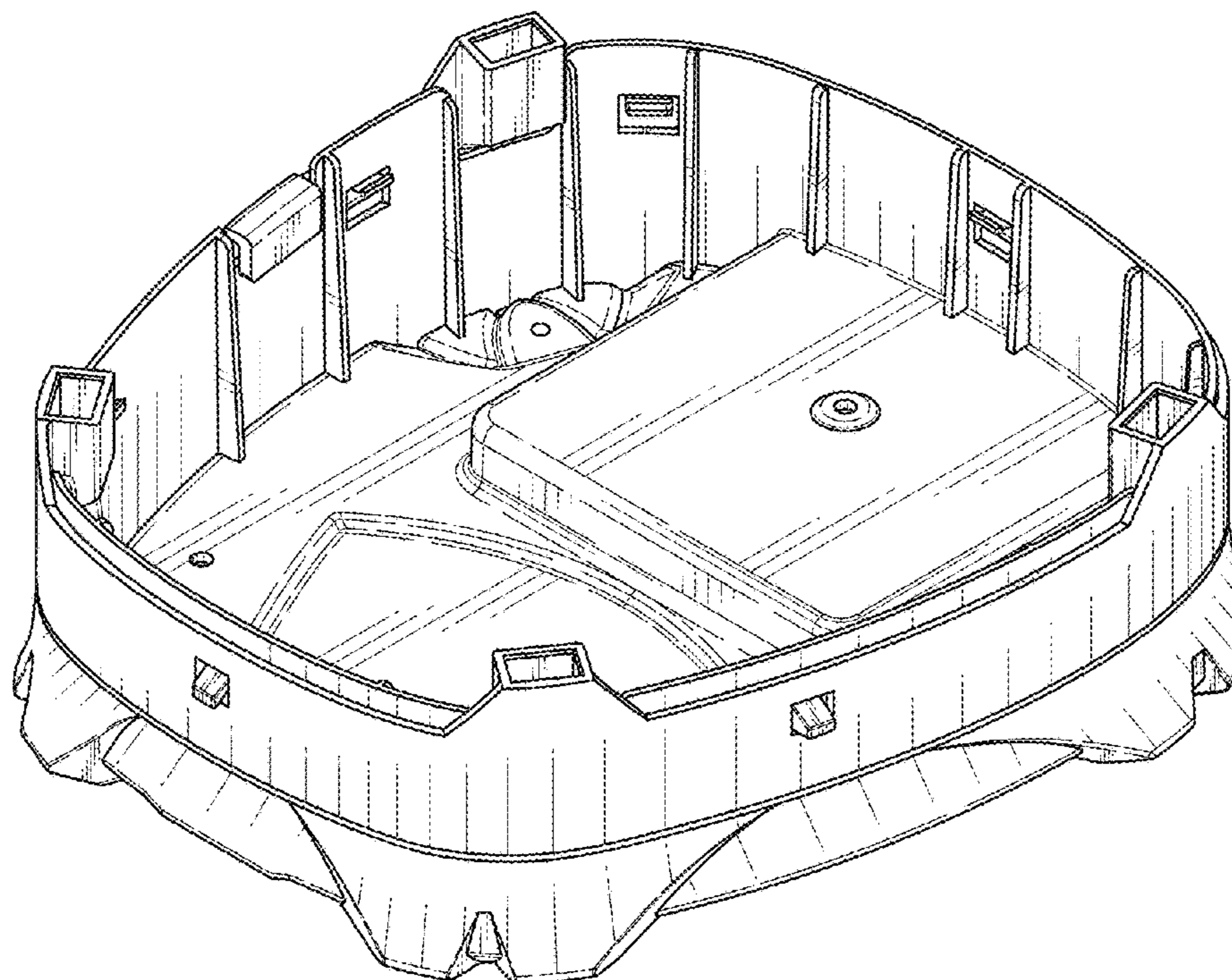
FIG. 5 is a right side plan view thereof;

FIG. 6 is a top plan view thereof; and,

FIG. 7 is a bottom plan view thereof.

The broken lines are included for the purpose of illustration and form no part of the claimed design.

1 Claim, 4 Drawing Sheets



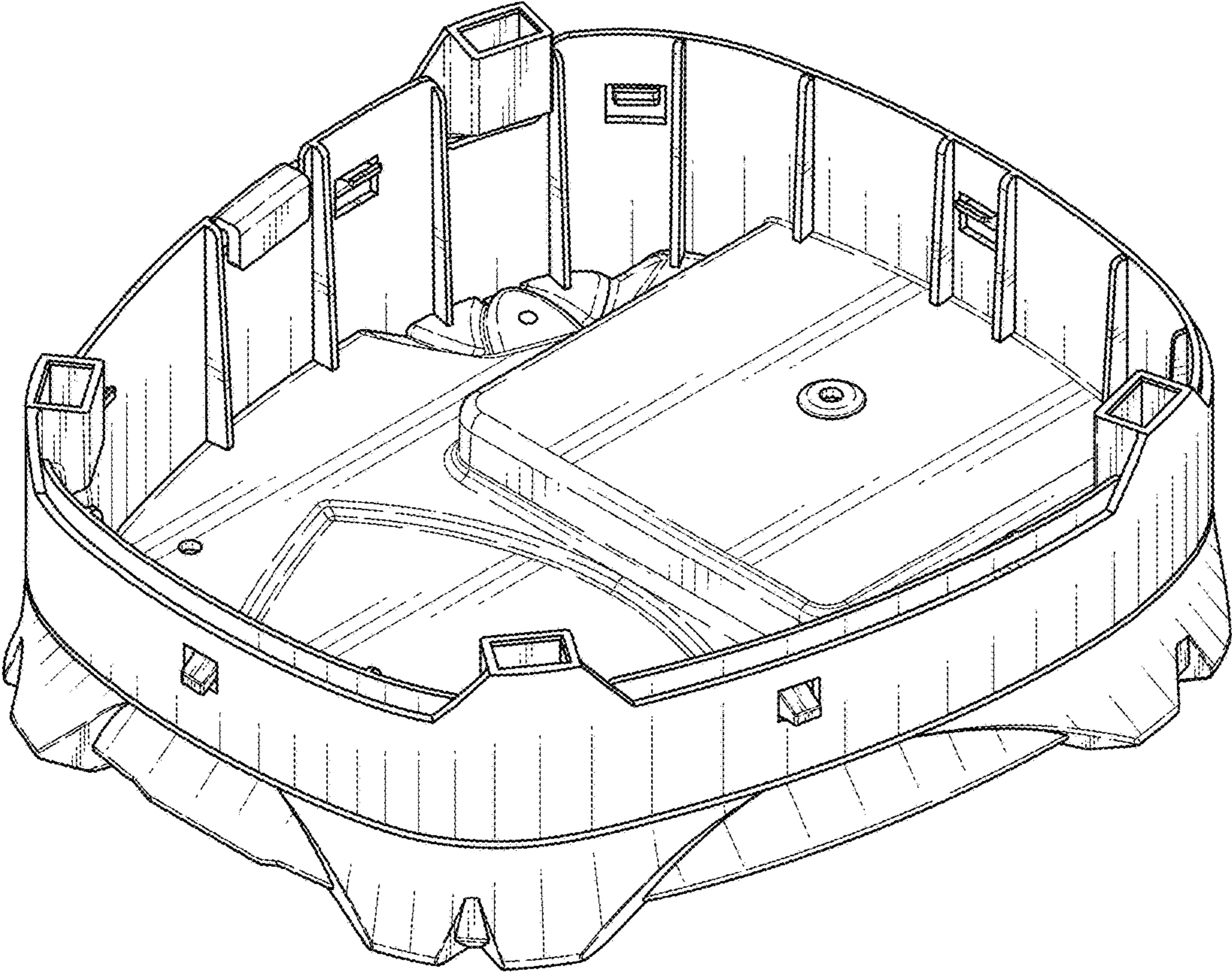


FIG. 1

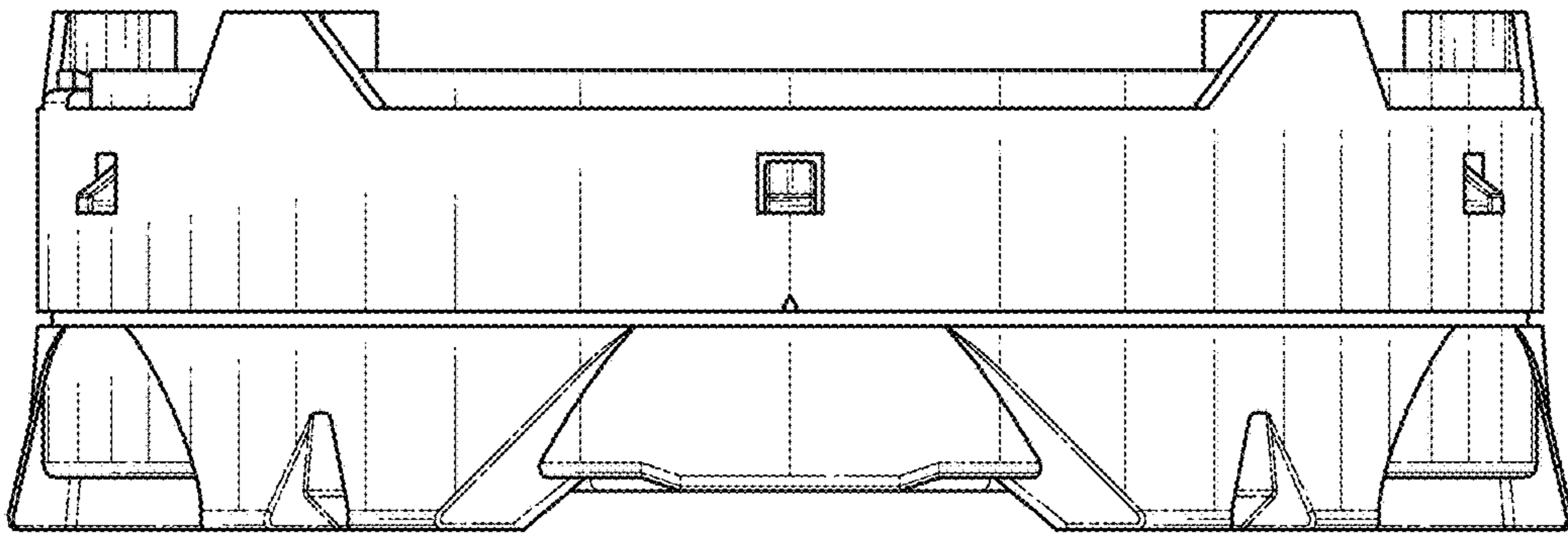


FIG. 2

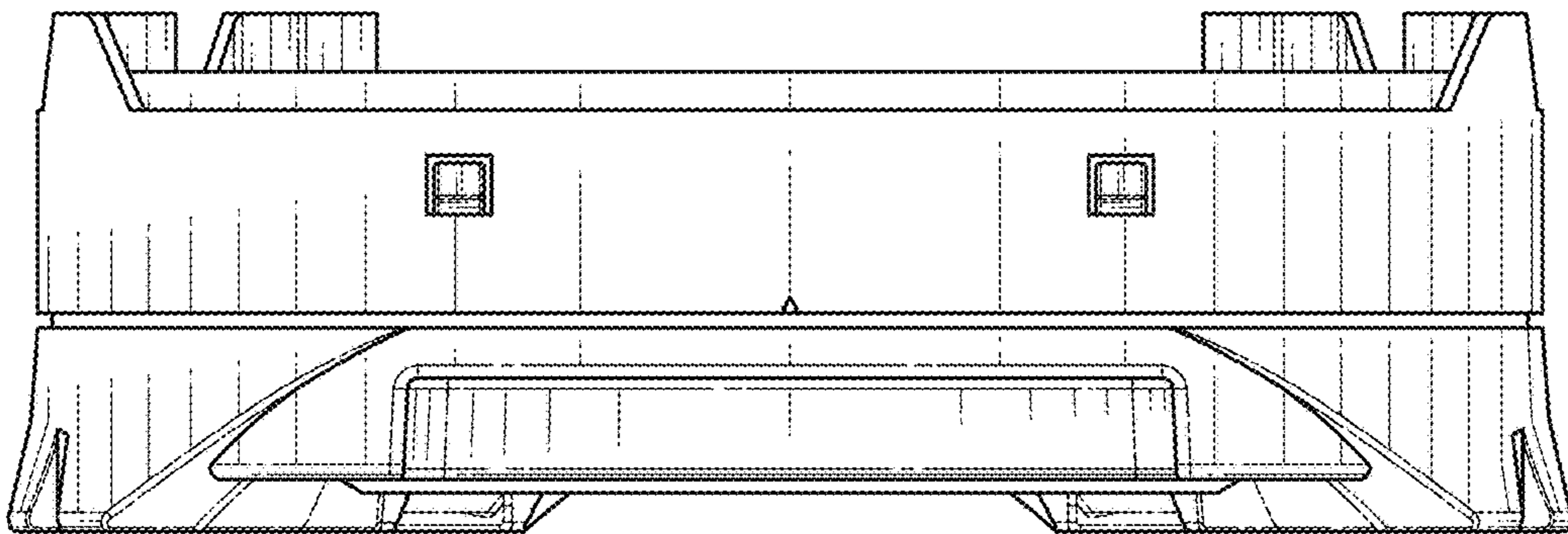


FIG. 3

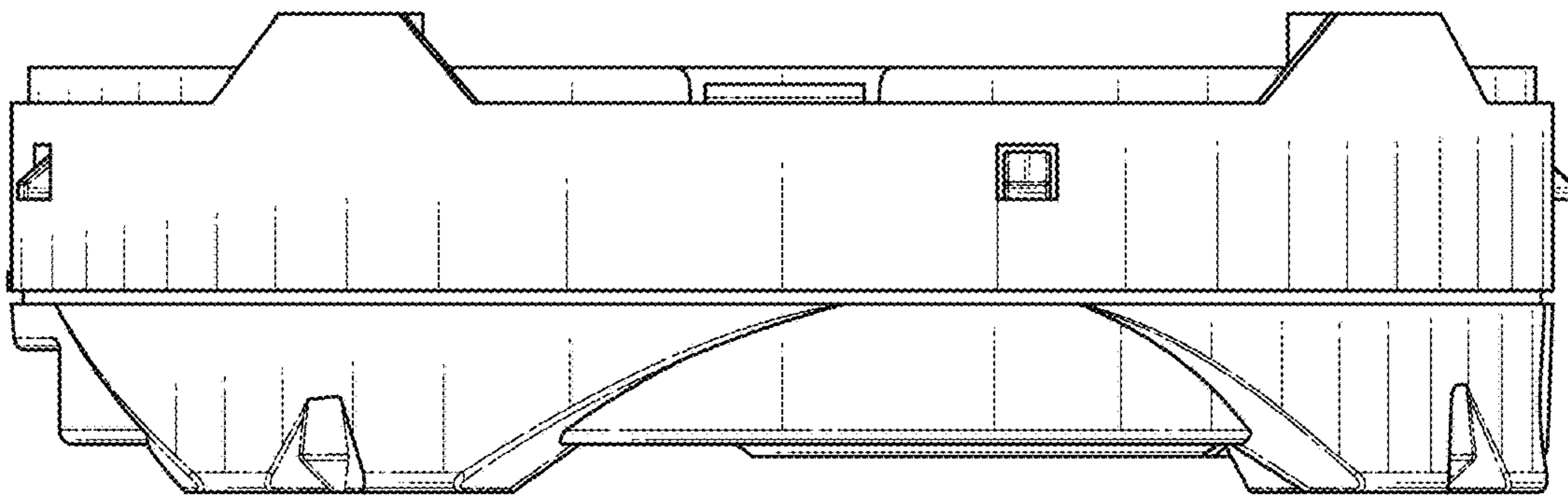


FIG. 4

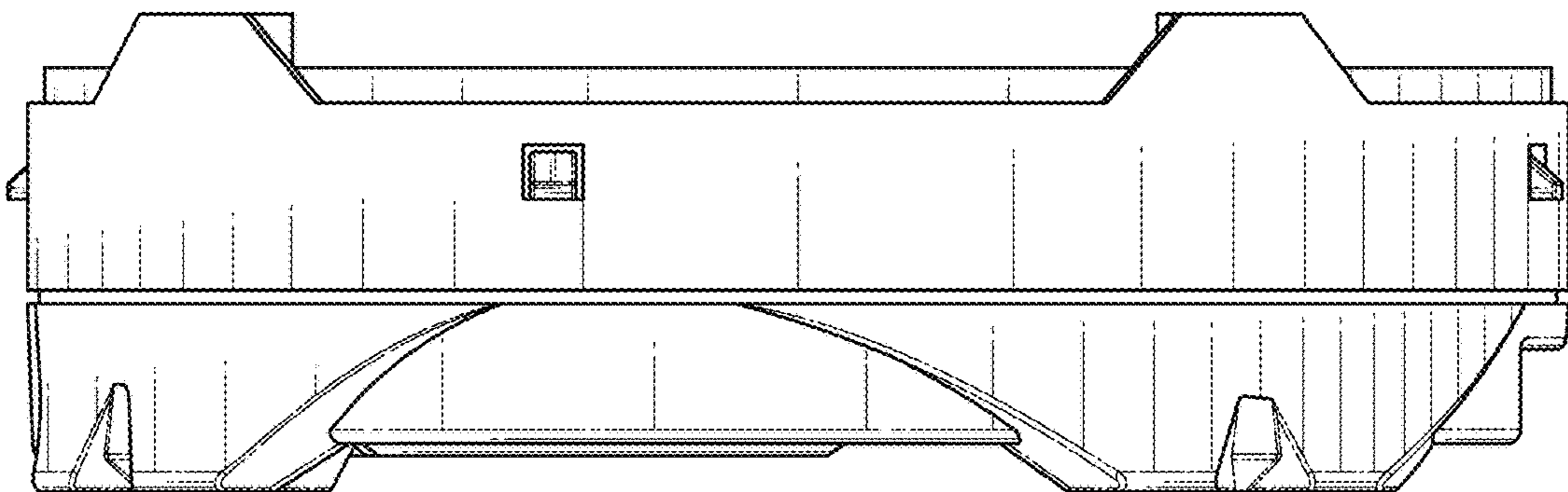


FIG. 5

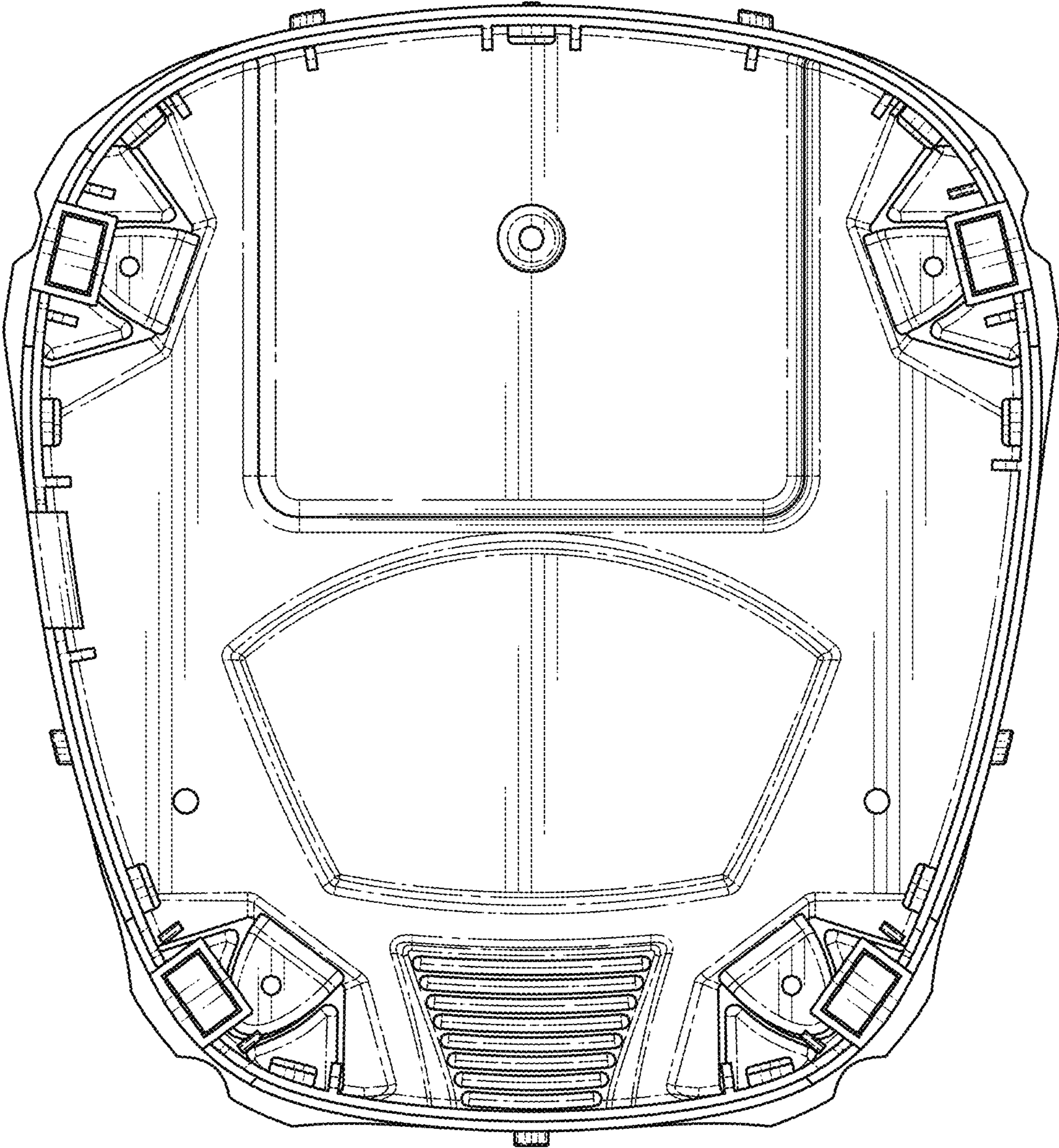


FIG. 6

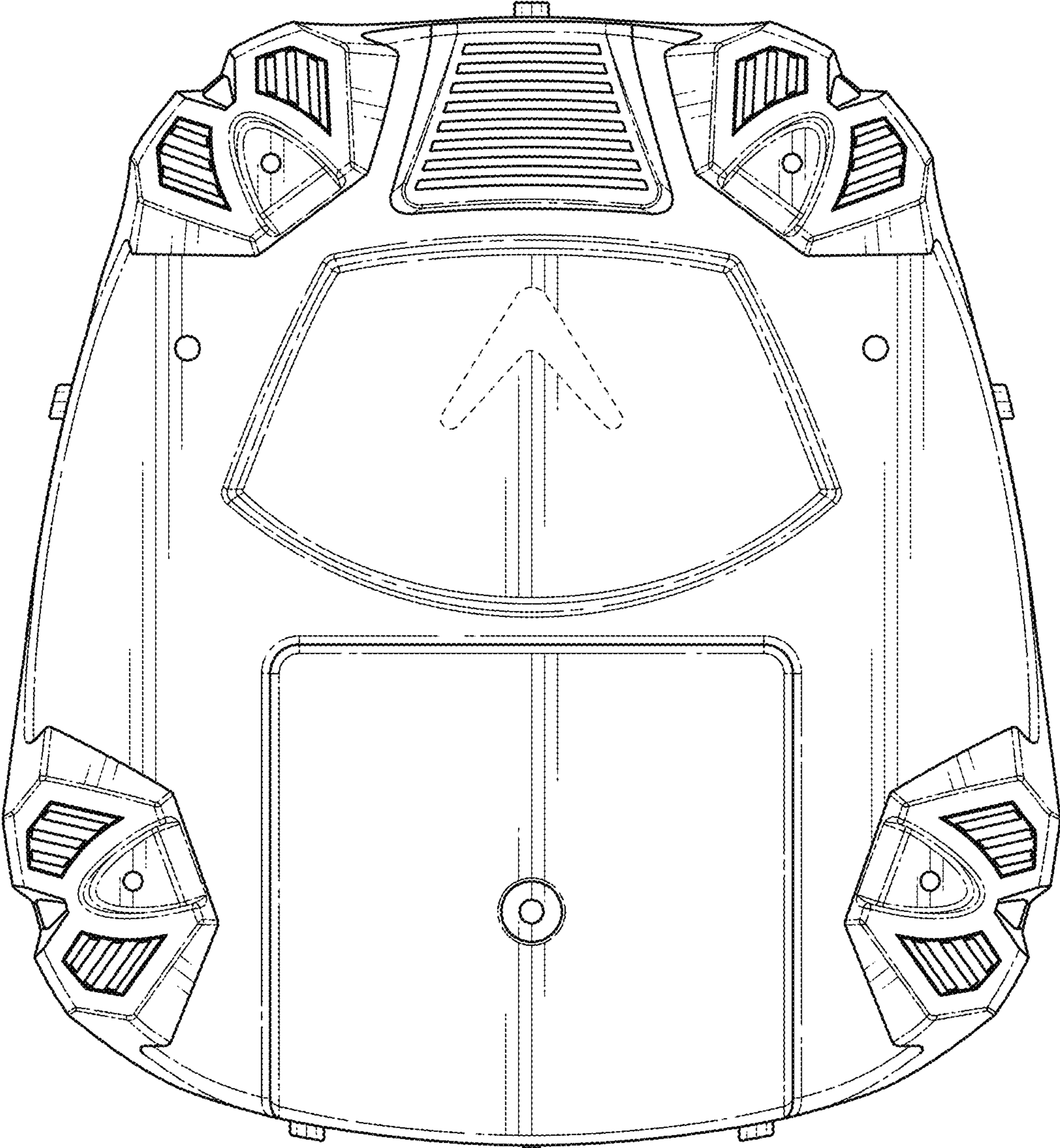


FIG. 7