



US00D774304S

(12) **United States Design Patent**
Wang

(10) **Patent No.:** **US D774,304 S**

(45) **Date of Patent:** **** Dec. 20, 2016**

(54) **WIDE TROLLEY**

8,333,271 B2 * 12/2012 Gibson A45C 9/00
190/102

(71) Applicant: **WINSUN IMP. & EXP. GROUP CO., LTD.**, Zhejiang (CN)

D699,438 S * 2/2014 Mathieu D3/318

D710,107 S * 8/2014 Sangirardi D3/318

D716,556 S * 11/2014 Tong D3/318

(72) Inventor: **Chuting Wang**, Zhejiang (CN)

* cited by examiner

(73) Assignee: **WINSUN IMP. & EXP. GROUP CO., LTD.**, Jiaxing Zhejiang (CN)

Primary Examiner — Holly Baynham

(74) *Attorney, Agent, or Firm* — Muncy, Geissler, Olds & Lowe, P.C.

(**) Term: **15 Years**

(21) Appl. No.: **29/534,835**

(57) **CLAIM**

(22) Filed: **Jul. 31, 2015**

The ornamental design for a wide trolley, as shown and described.

(30) **Foreign Application Priority Data**

Feb. 3, 2015 (CN) 2015 3 0032566

(51) **LOC (10) Cl.** **03-01**

(52) **U.S. Cl.**
USPC **D3/318**

(58) **Field of Classification Search**
USPC D3/318
CPC A45F 5/10; A45F 5/14; B65D 33/06
See application file for complete search history.

DESCRIPTION

FIG. 1 is a front perspective view of a wide trolley showing my new design;
FIG. 2 is a front elevational view thereof;
FIG. 3 is a rear elevational view thereof;
FIG. 4 is a left side view thereof, the right side being a mirror image thereof;
FIG. 5 is a top plan view thereof;
FIG. 6 is a perspective view of the wide trolley in use;
FIG. 7 is a bottom plan view thereof; and,
FIG. 8 is a rear perspective view thereof.

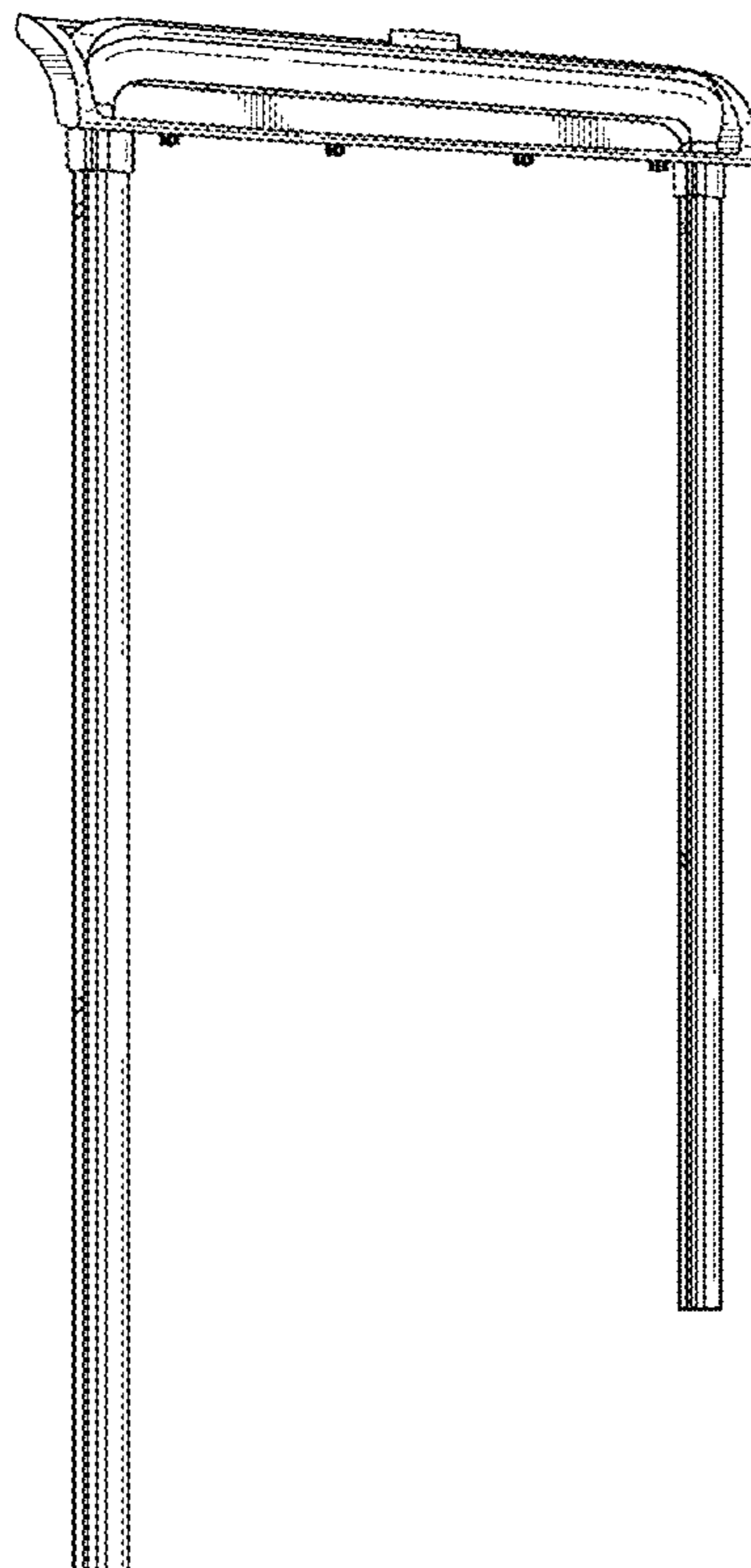
(56) **References Cited**

U.S. PATENT DOCUMENTS

D607,644 S * 1/2010 Wu D3/318

D663,526 S * 7/2012 Wu D3/318

1 Claim, 8 Drawing Sheets



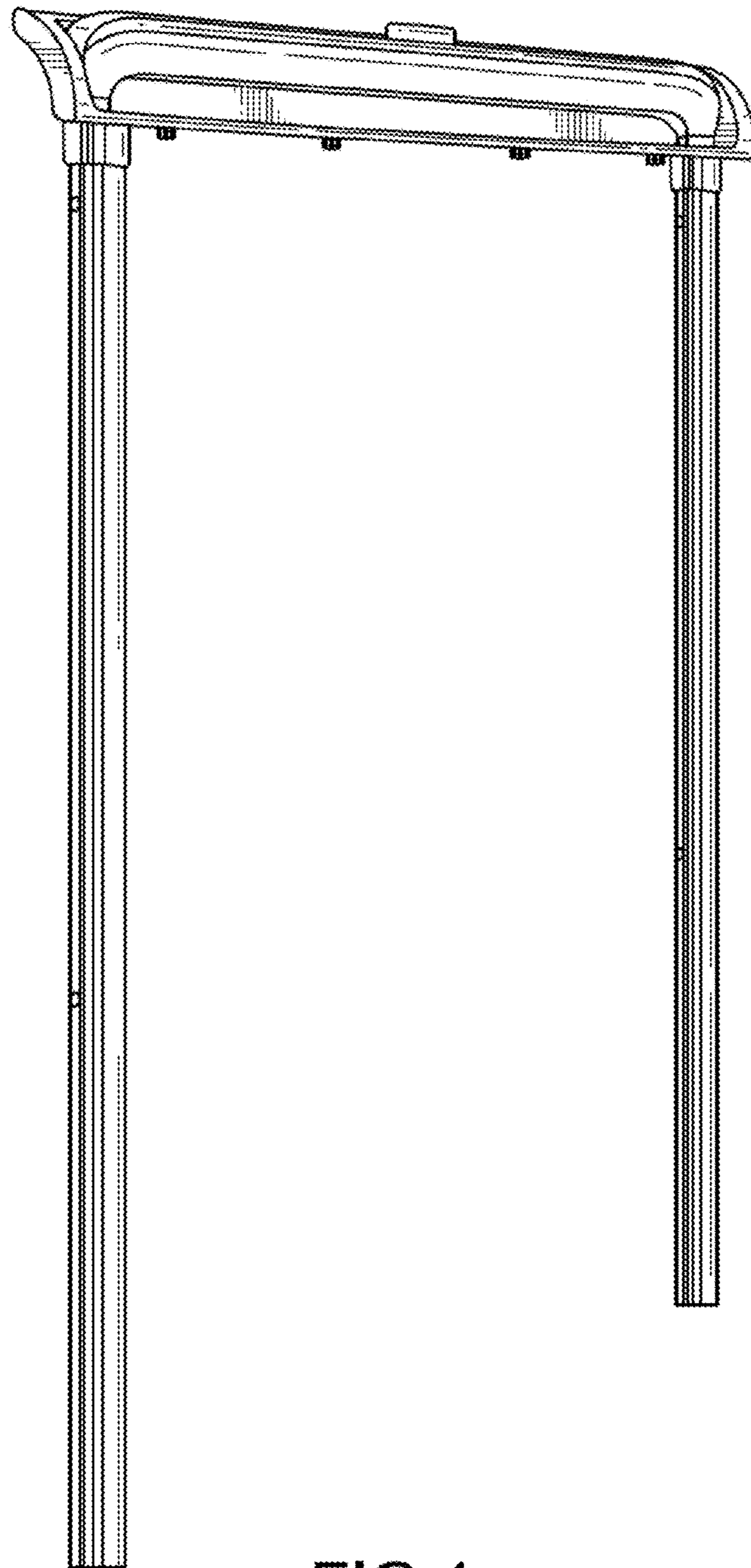


FIG. 1

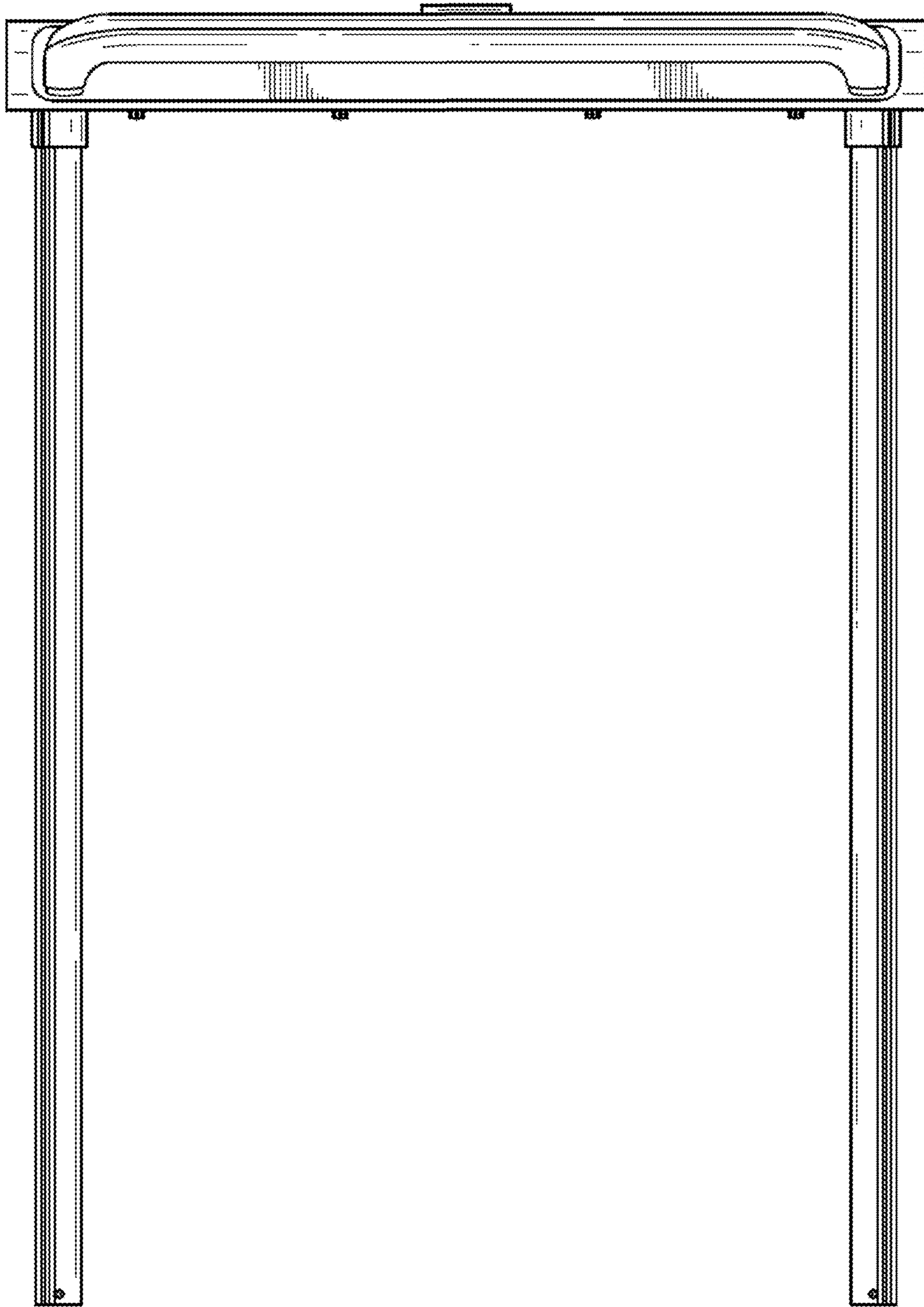


FIG.2

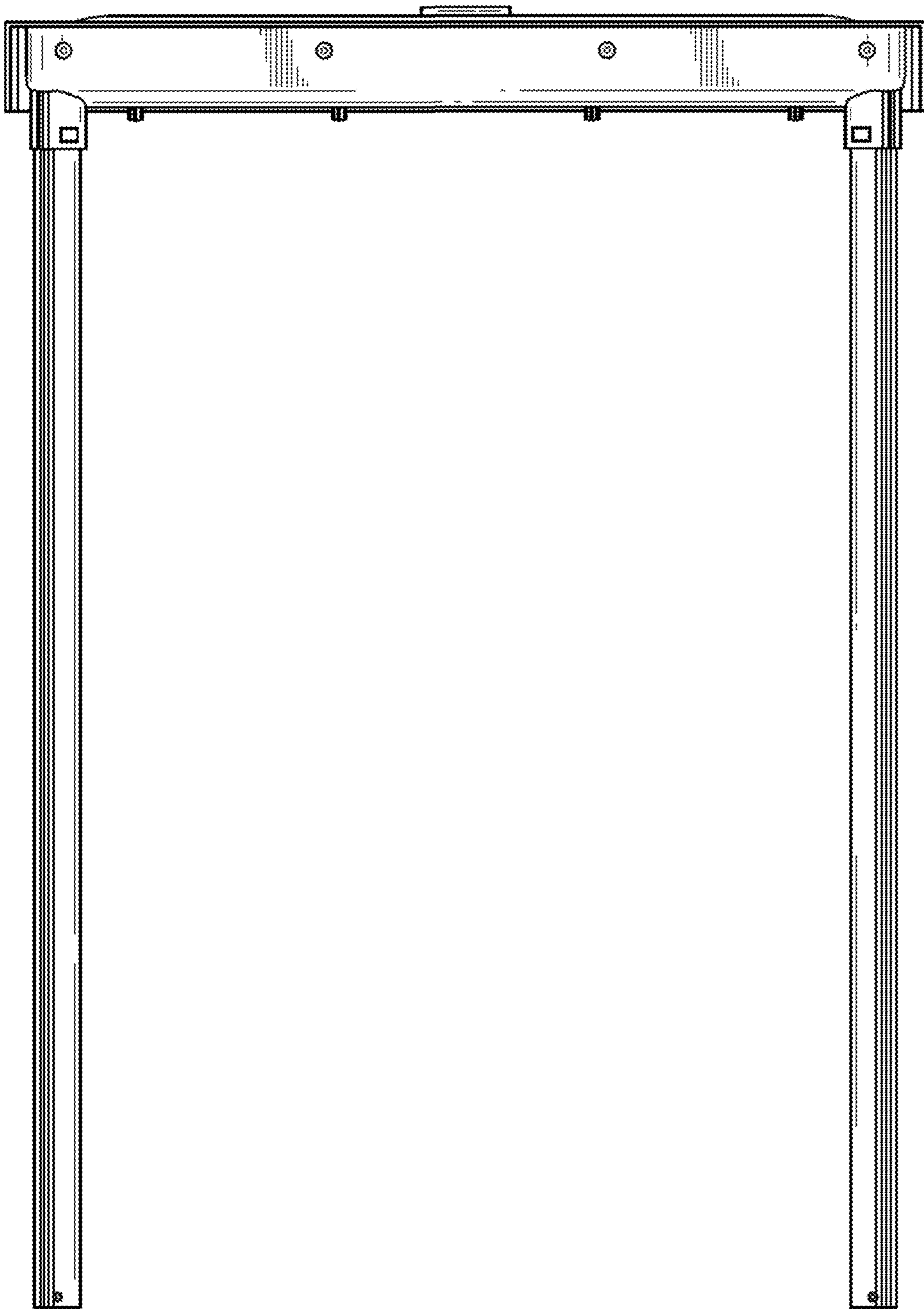


FIG.3

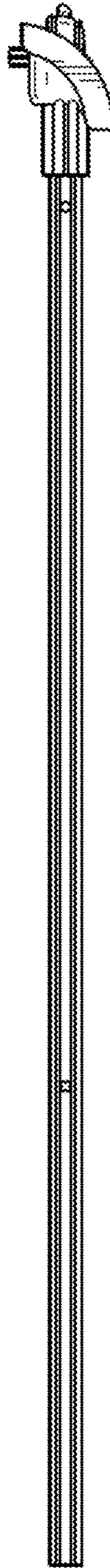


FIG.4

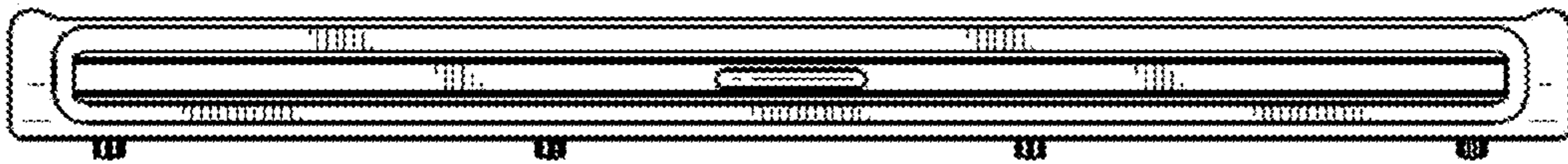


FIG.5

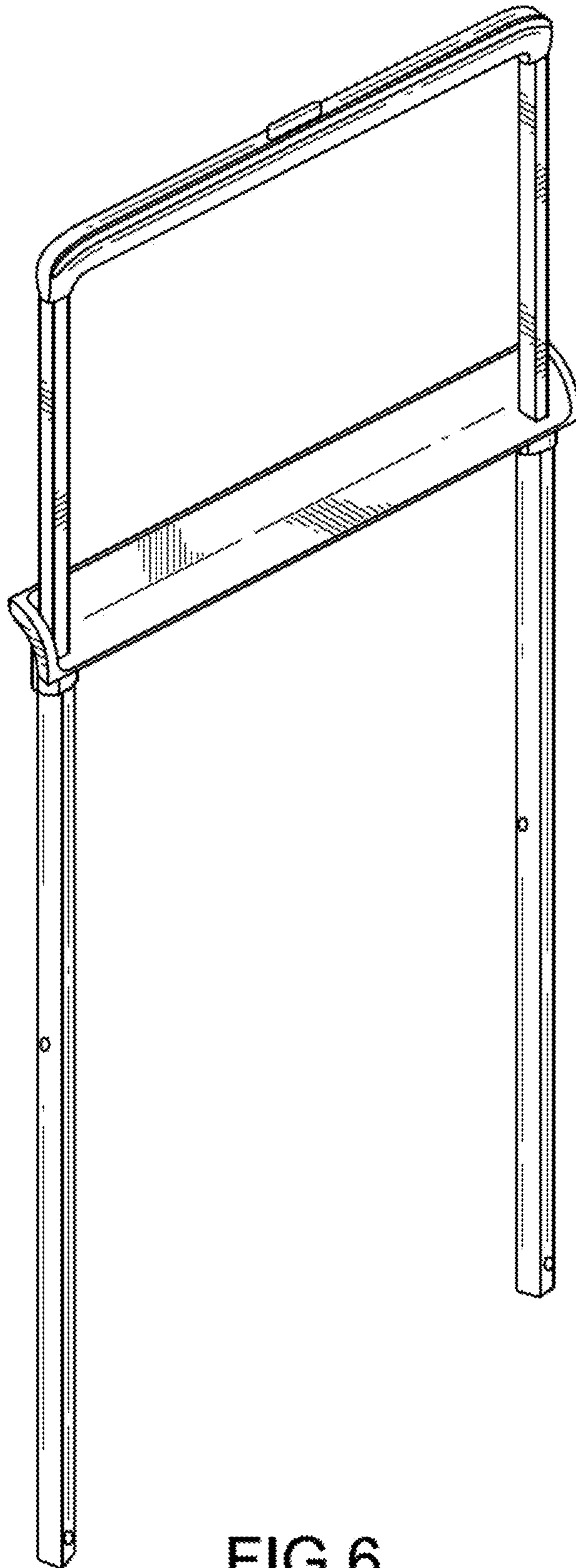


FIG.6

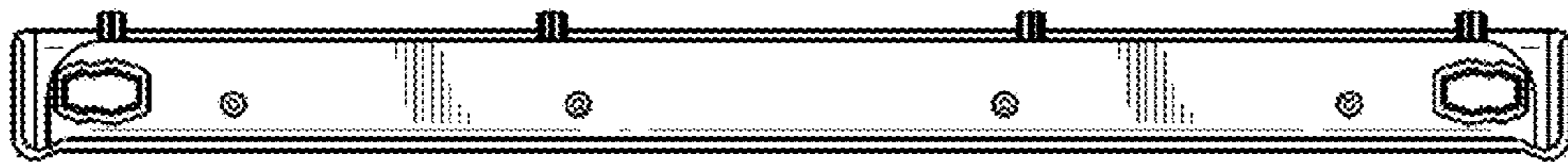


FIG.7

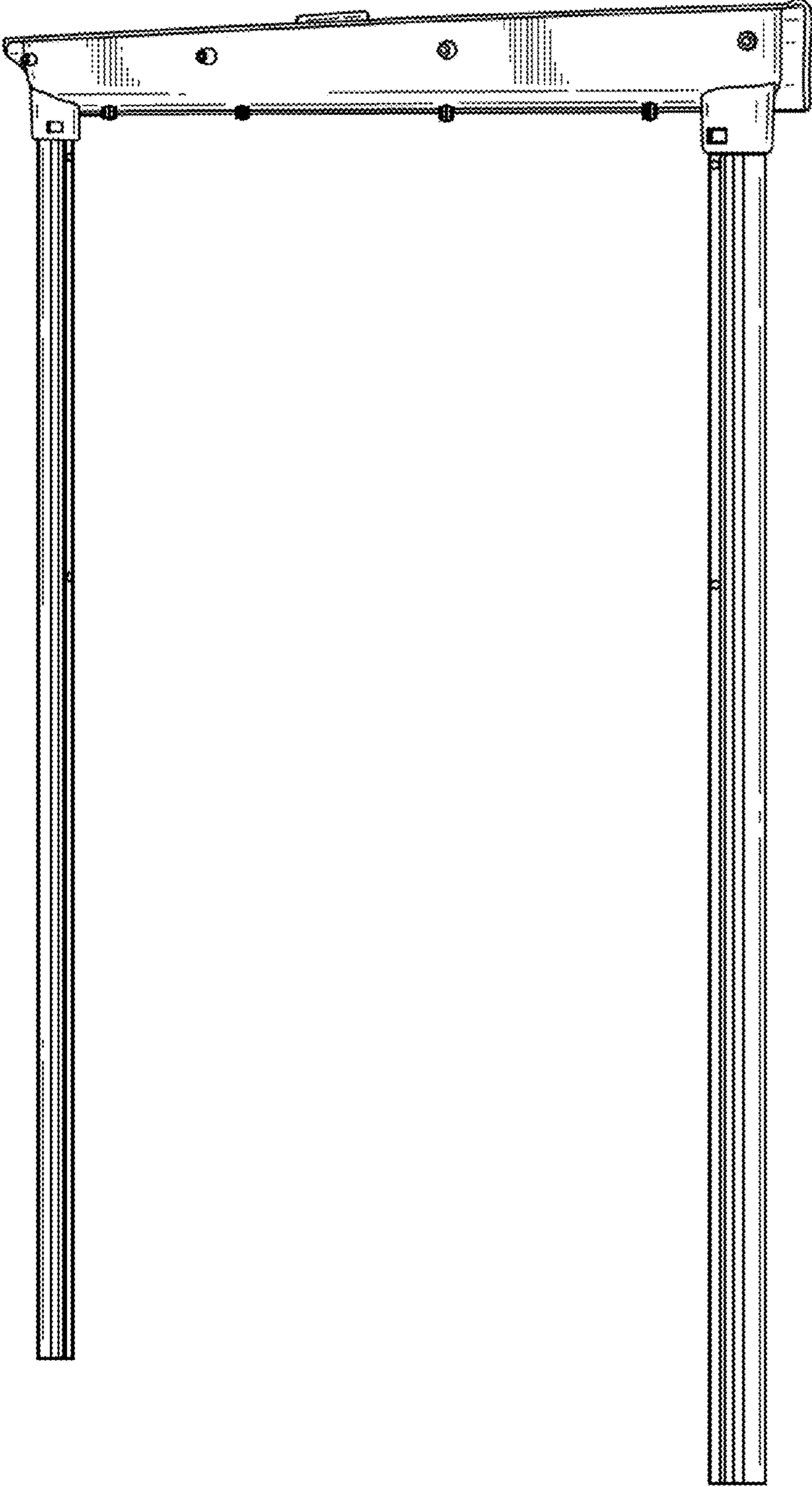


FIG.8