



US00D774303S

(12) **United States Design Patent** (10) **Patent No.:** **US D774,303 S**
Jose (45) **Date of Patent:** **** Dec. 20, 2016**

- (54) **EXTENSION HANDLE FOR A SUITCASE**
- (71) Applicant: **Boban Jose**, San Ramon, CA (US)
- (72) Inventor: **Boban Jose**, San Ramon, CA (US)
- (**) Term: **14 Years**
- (21) Appl. No.: **29/519,702**
- (22) Filed: **Mar. 6, 2015**
- (51) **LOC (10) Cl.** **03-01**
- (52) **U.S. Cl.**
USPC **D3/318**
- (58) **Field of Classification Search**
USPC D3/272-273, 318
CPC A45F 5/10; A45F 5/14; B65D 33/06
See application file for complete search history.

(56) **References Cited**

U.S. PATENT DOCUMENTS

- D489,181 S * 5/2004 Moon D3/318
- D497,480 S * 10/2004 Drew D3/318
- D527,183 S * 8/2006 Moon D3/318
- D570,601 S * 6/2008 Drew D3/318

D702,442 S * 4/2014 Liang D3/318
* cited by examiner

Primary Examiner — Holly Baynham
(74) *Attorney, Agent, or Firm* — Law Office of Ilya Libenzon

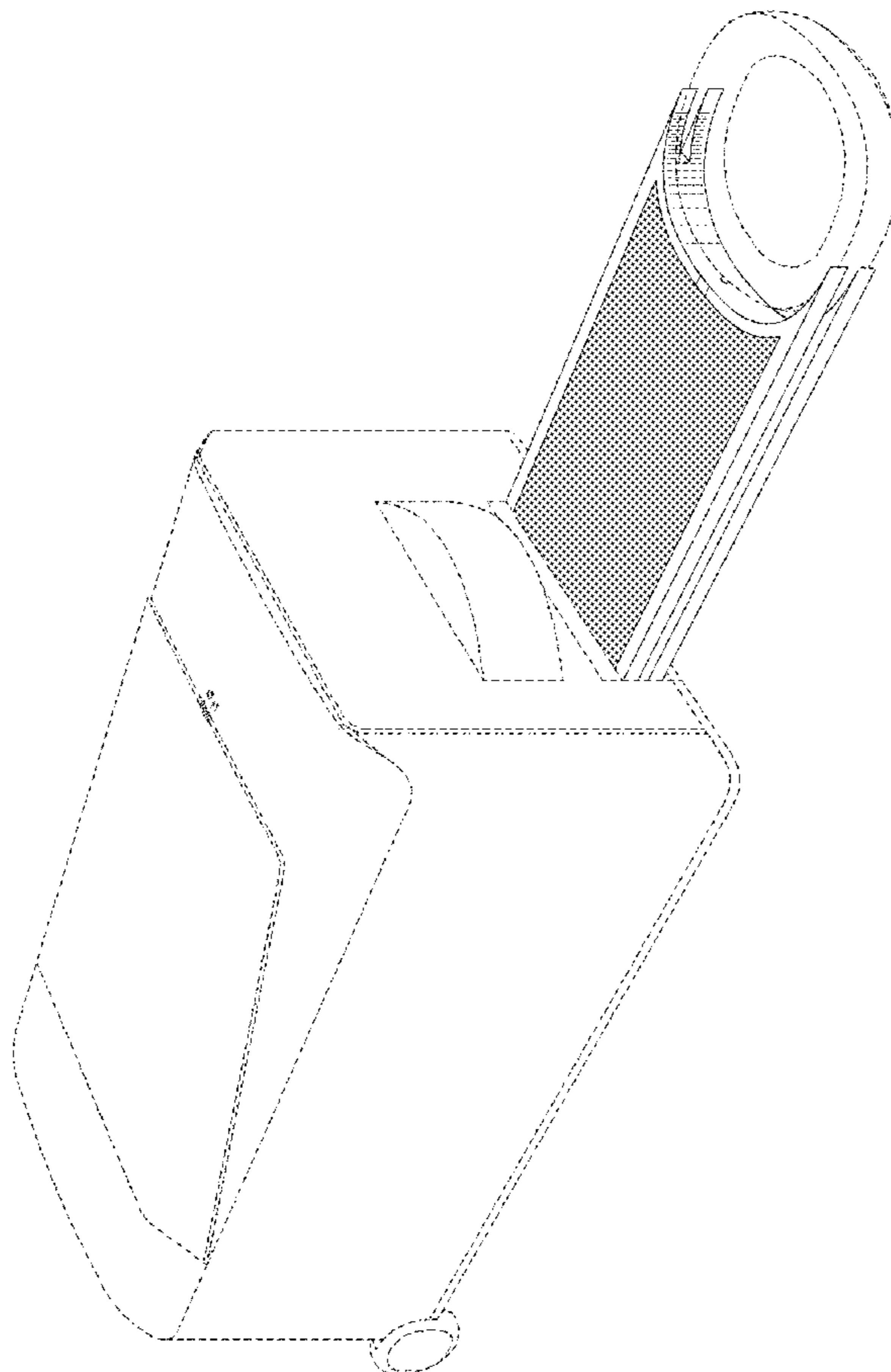
(57) **CLAIM**

What is claimed is the ornamental design for an extension handle for a suitcase, as shown and described.

DESCRIPTION

FIG. 1 is a perspective view of the extension handle according to the present invention;
 FIG. 2 is a side view of the extension handle according to the present invention;
 FIG. 3 is a side view of the extension handle according to the present invention;
 FIG. 4 is a top view of the extension handle according to the present invention; and,
 FIG. 5 is a bottom view of the extension handle according to the present invention.
 The broken lines showing a suitcase and portion of the handle are for the purposes of illustrating environment and forms no part of the claimed design.

1 Claim, 5 Drawing Sheets



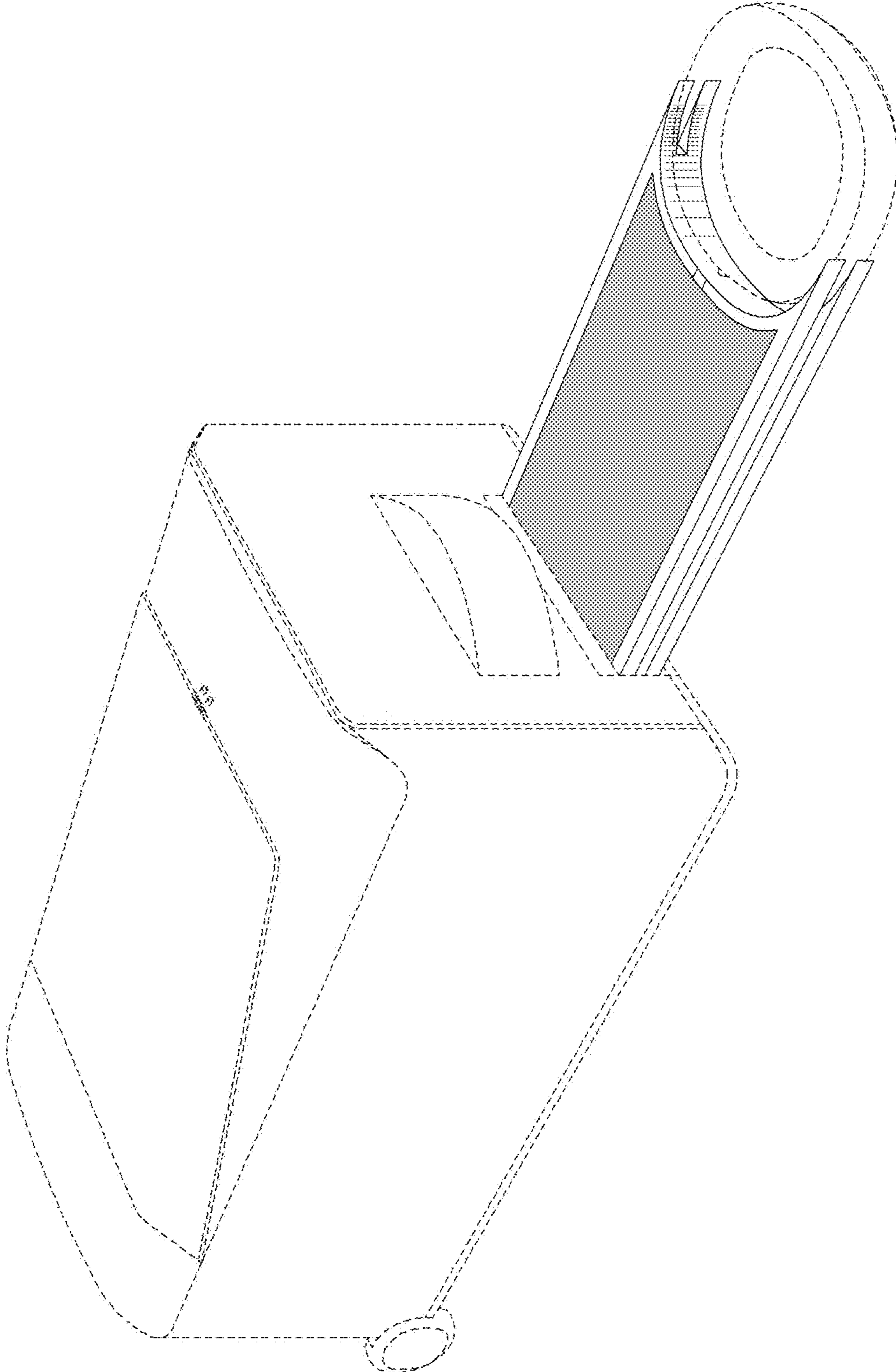


FIG. 1

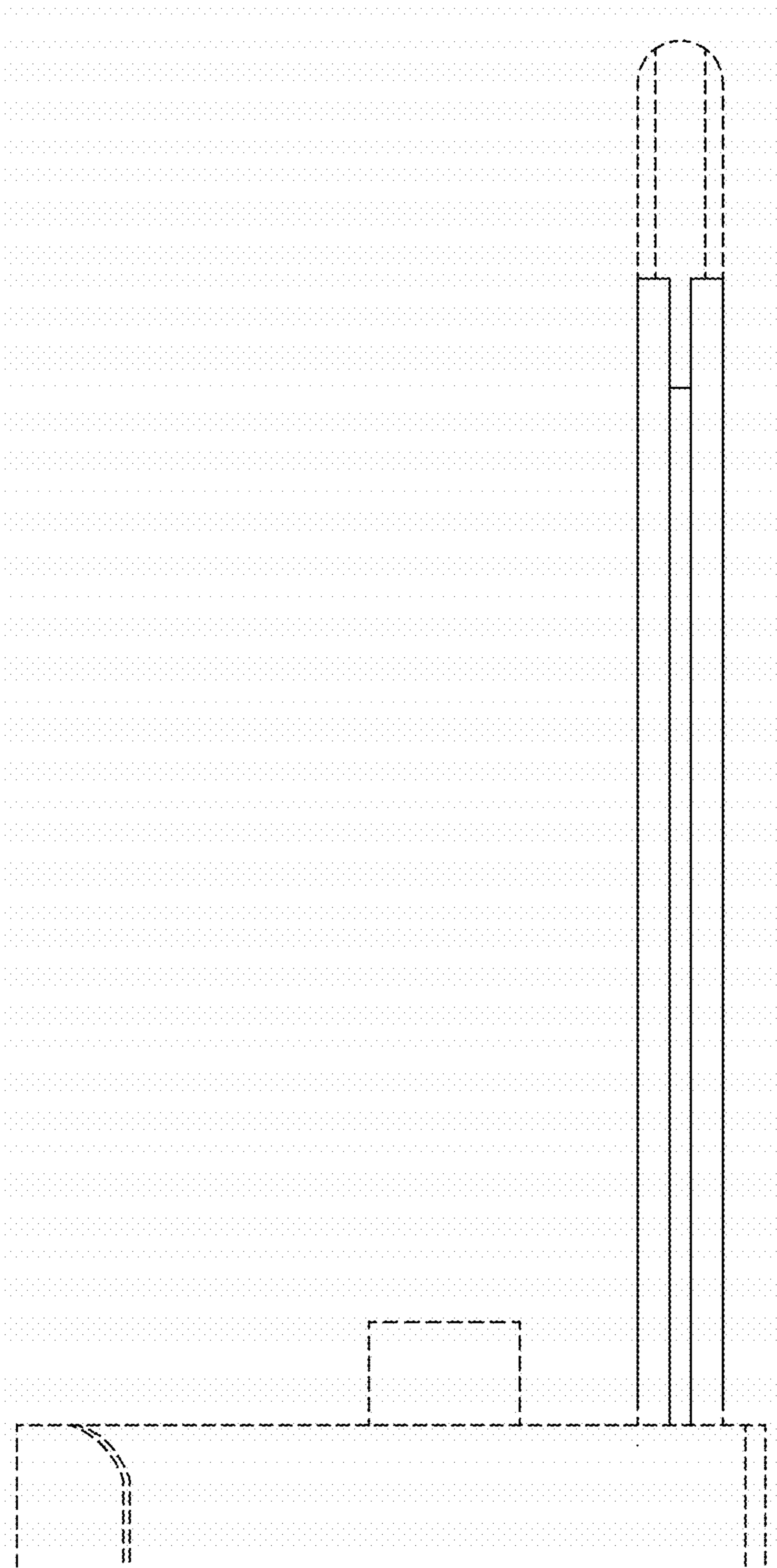


FIG. 2

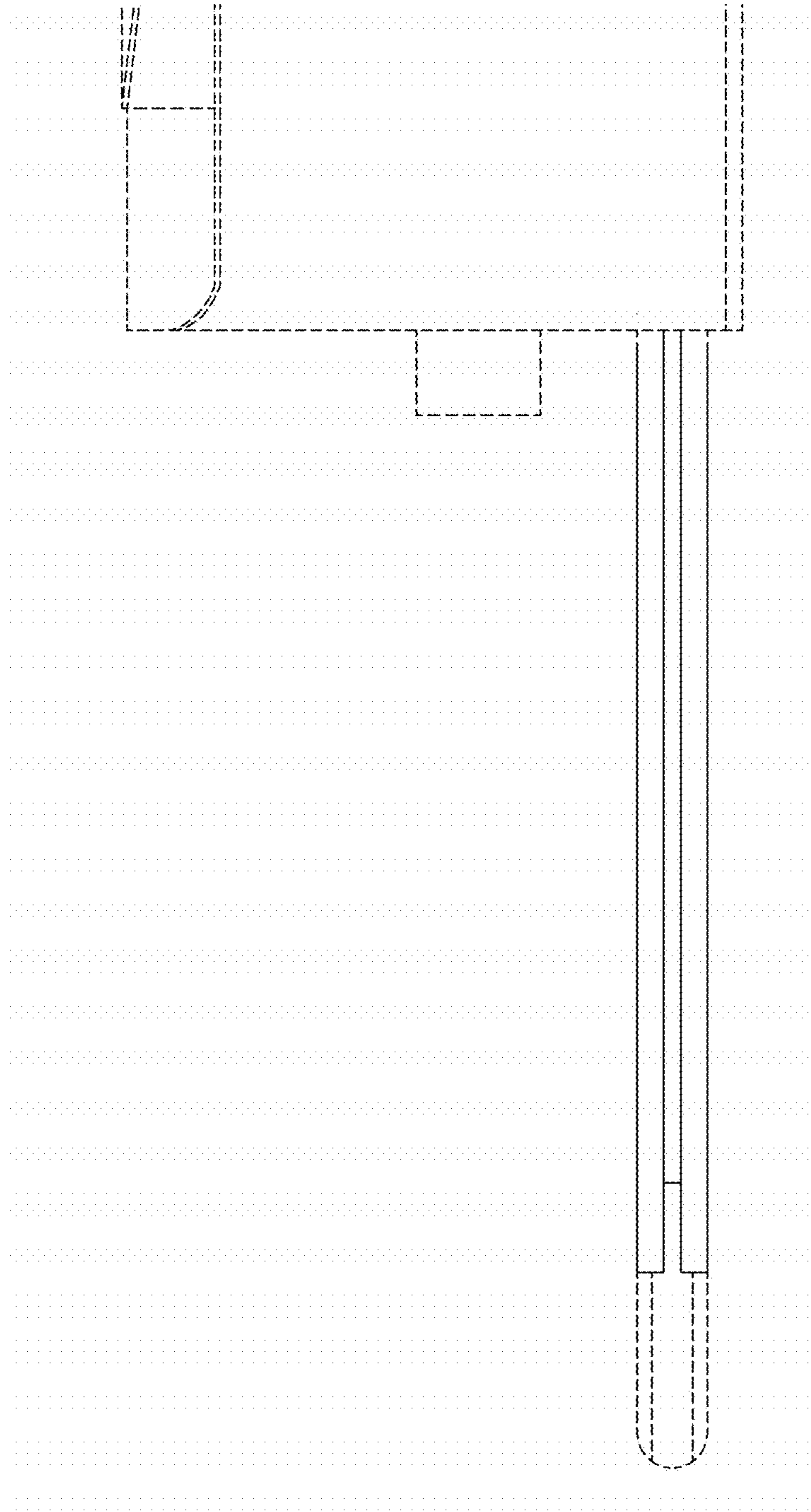


FIG. 3

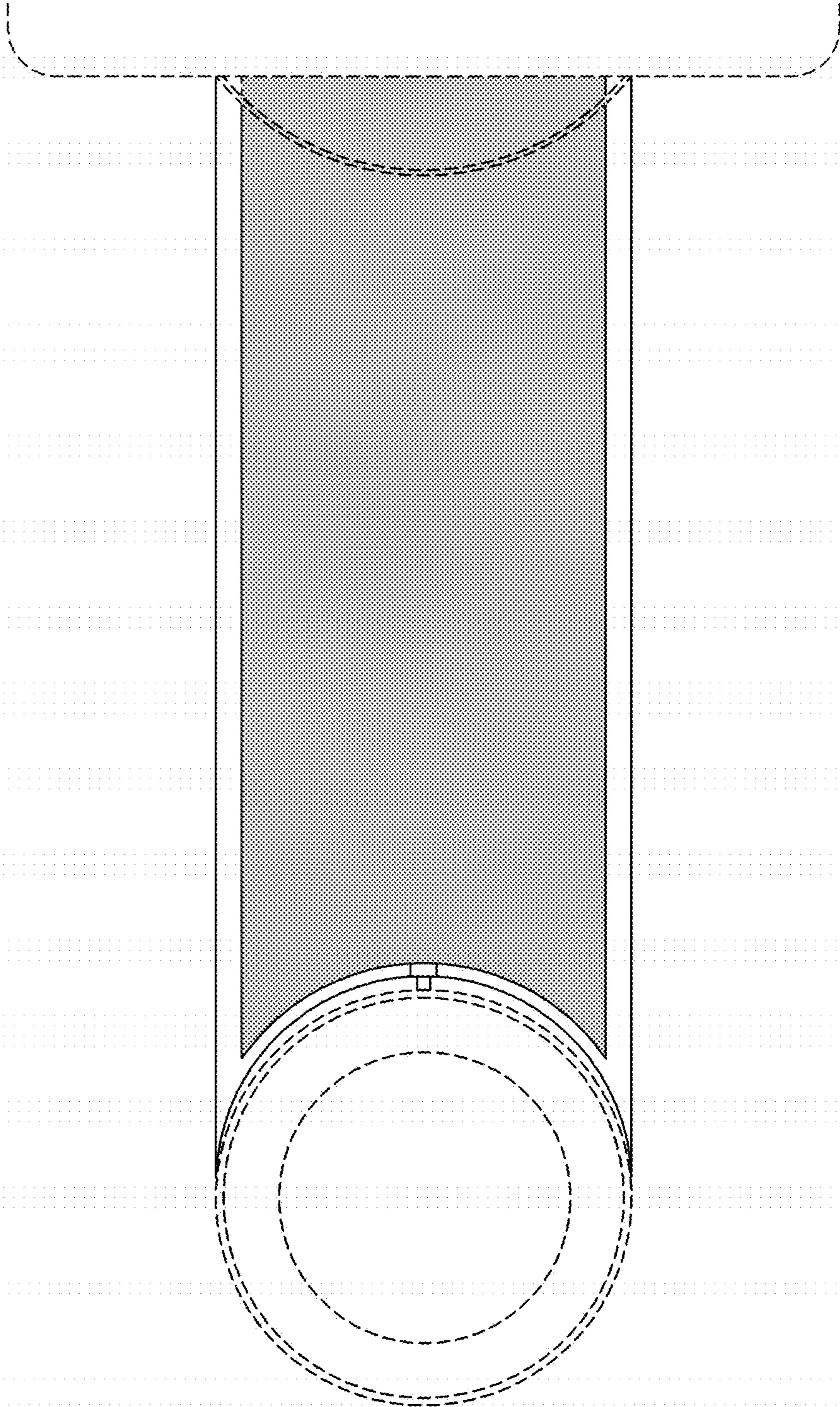


FIG. 4

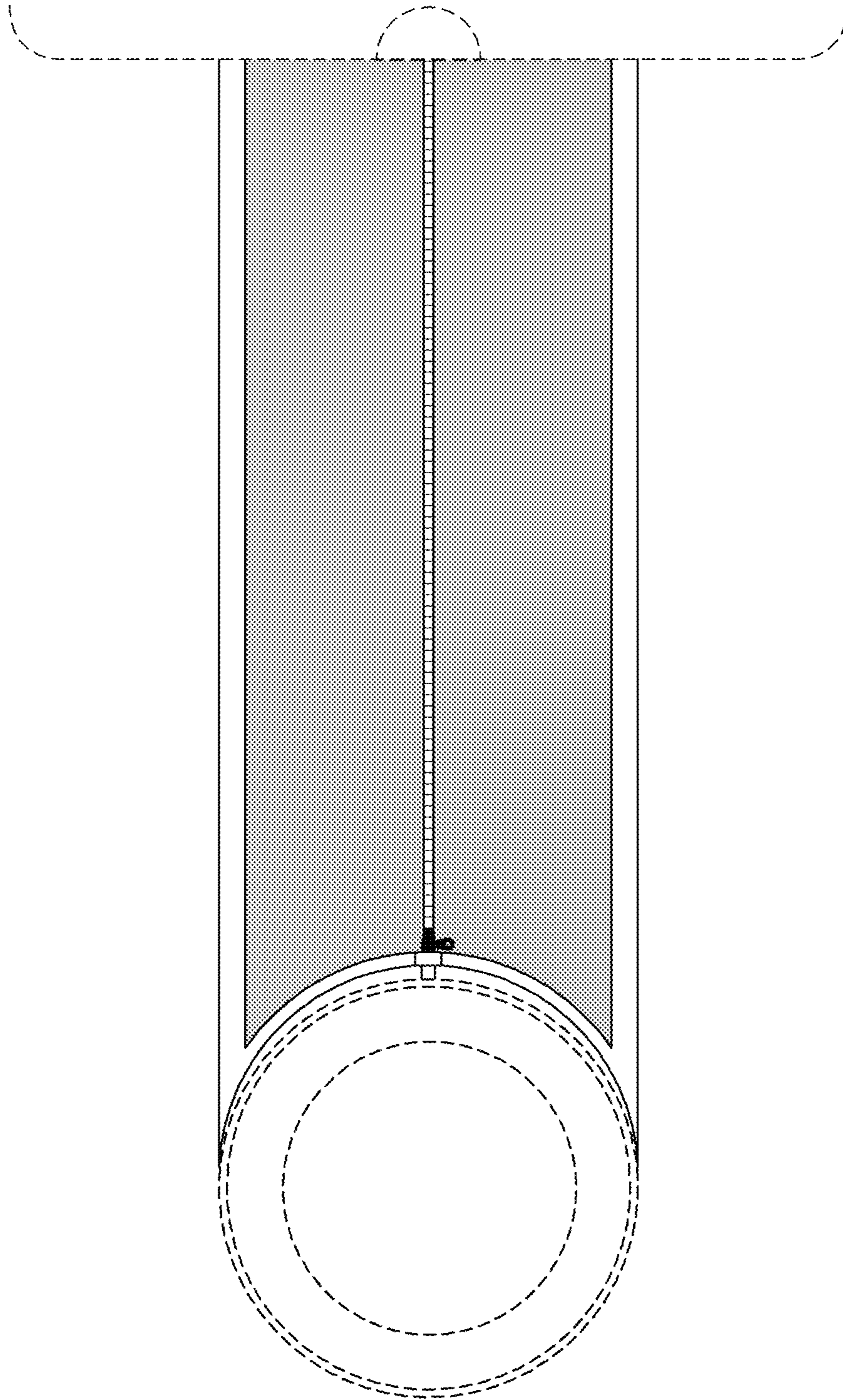


FIG. 5