



US00D774302S

(12) **United States Design Patent**  
**Ogonowski**

(10) **Patent No.:** **US D774,302 S**

(45) **Date of Patent:** **\*\* Dec. 20, 2016**

(54) **CUE CADDY**

(71) Applicant: **John Ogonowski**, Toms River, NJ (US)

(72) Inventor: **John Ogonowski**, Toms River, NJ (US)

(\*\*) Term: **15 Years**

(21) Appl. No.: **29/537,941**

(22) Filed: **Aug. 31, 2015**

(51) **LOC (10) Cl.** ..... **03-01**

(52) **U.S. Cl.**  
USPC ..... **D3/259**

(58) **Field of Classification Search**  
USPC .. D3/259, 254, 201, 221, 318, 328; D34/12,  
D34/15

CPC ..... A63D 15/08; A63D 15/10; A63B 55/60;  
B62B 1/04; B62B 1/042

See application file for complete search history.

(56) **References Cited**

**U.S. PATENT DOCUMENTS**

4,724,989	A *	2/1988	Silberberg	.....	A45F 3/14
					224/250
4,915,332	A *	4/1990	Ouellette	.....	F16M 11/20
					211/172
D340,787	S *	10/1993	Laursen	.....	D34/15
5,288,099	A *	2/1994	Wu	.....	B62B 1/045
					280/47.315
5,421,604	A *	6/1995	Wu	.....	B62B 1/045
					280/47.26

D519,703	S *	4/2006	Wu	.....	D34/15
D576,084	S *	9/2008	Dotsey	.....	D12/129
7,637,376	B2 *	12/2009	Silva	.....	A63D 15/10
					206/315.1
D714,511	S *	9/2014	Kuklik	.....	D34/15
2006/0196791	A1 *	9/2006	Evans	.....	A63D 15/10
					206/315.1
2007/0158509	A1 *	7/2007	Hubbell	.....	G10G 7/005
					248/171
2008/0029657	A1 *	2/2008	Evans	.....	A63D 15/10
					248/96

\* cited by examiner

*Primary Examiner* — Mitchell Siegel

(74) *Attorney, Agent, or Firm* — Thomas L. Adams

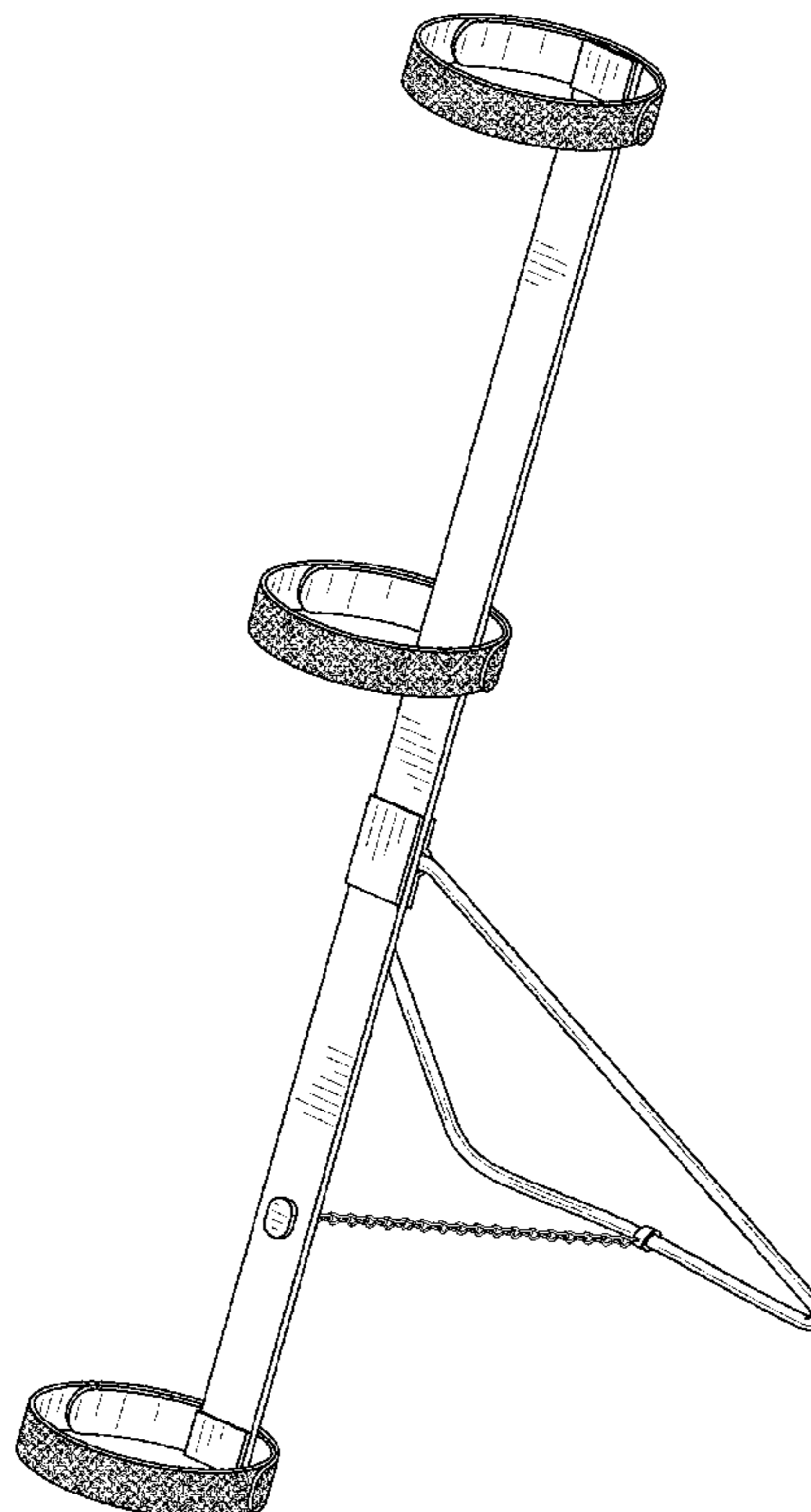
(57) **CLAIM**

The ornamental design for a cue caddy, as shown and described.

**DESCRIPTION**

FIG. 1 is a perspective view of a cue caddy showing my new design;  
FIG. 2 is a front elevational view thereof;  
FIG. 3 is a rear elevational view thereof;  
FIG. 4 is a right side elevational view thereof;  
FIG. 5 is a left side elevational view thereof;  
FIG. 6 is a top plan view thereof;  
FIG. 7 is a bottom view thereof; and,  
FIG. 8 is a perspective view thereof, the broken line showing of the cue case is included for the purpose of illustrating and forms no part of the claimed design.

**1 Claim, 6 Drawing Sheets**



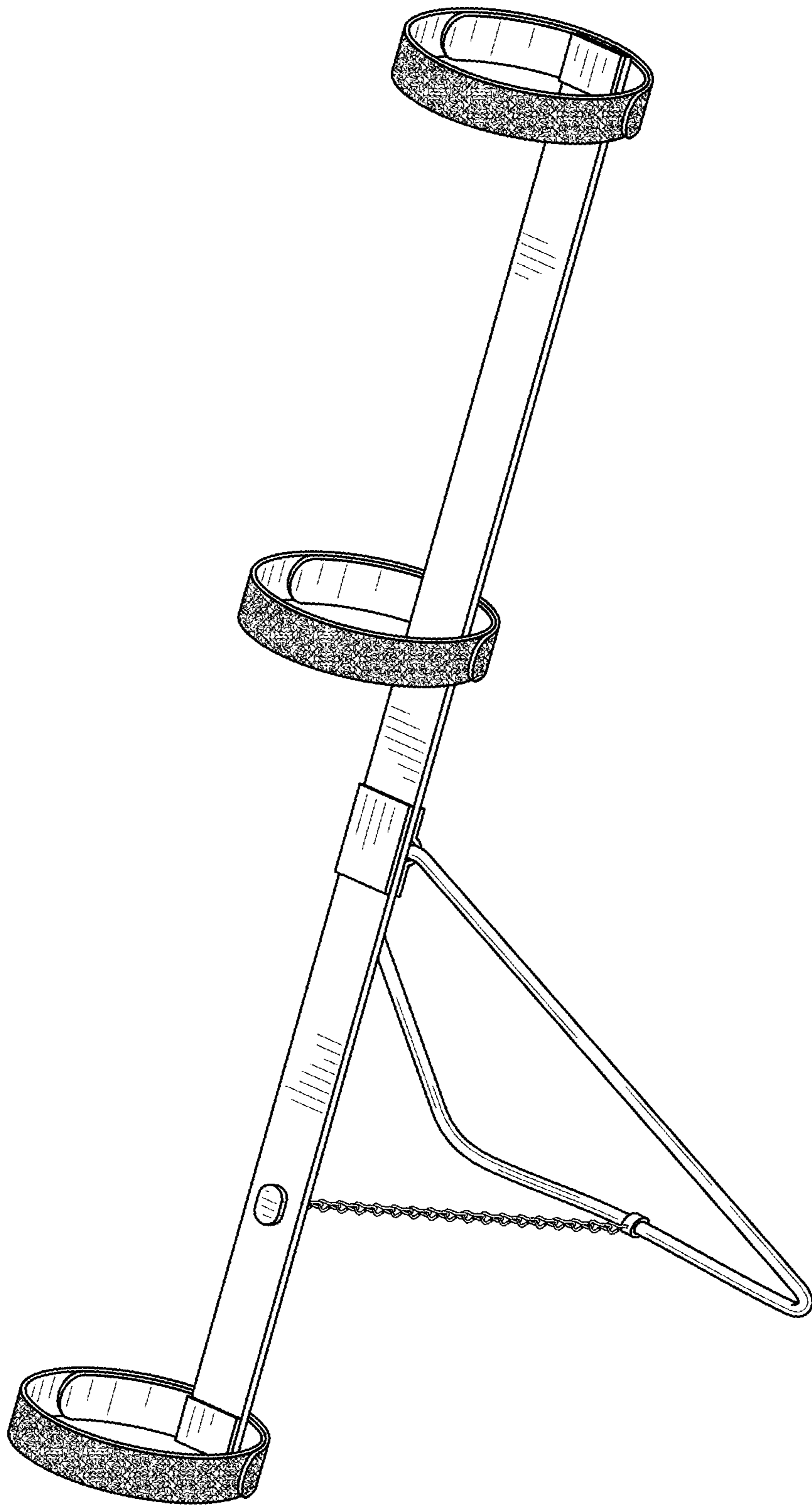


FIG. 1

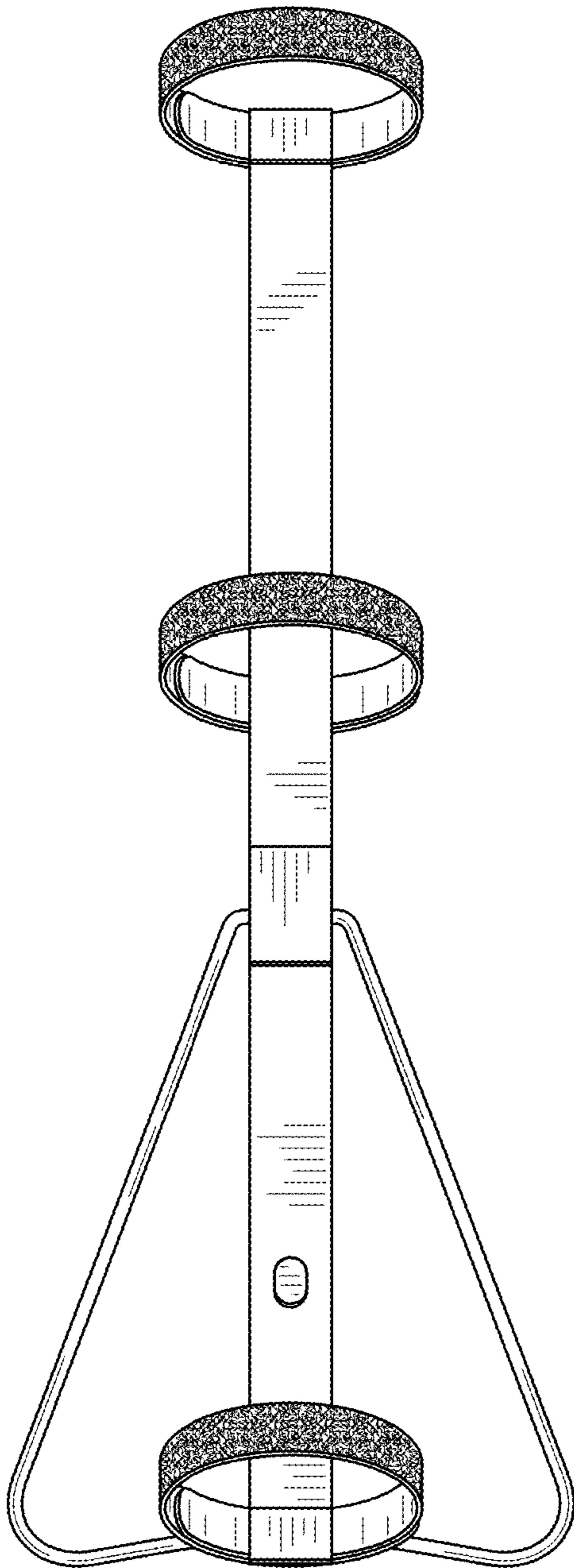


FIG. 2

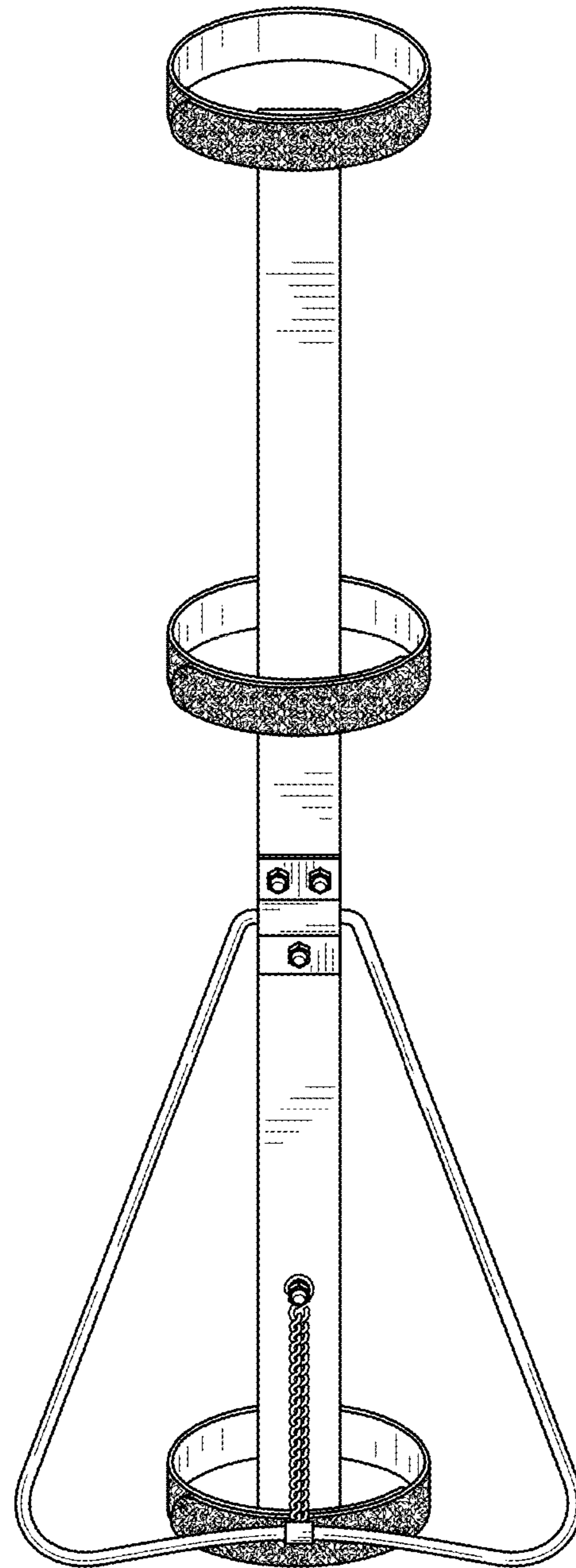


FIG. 3

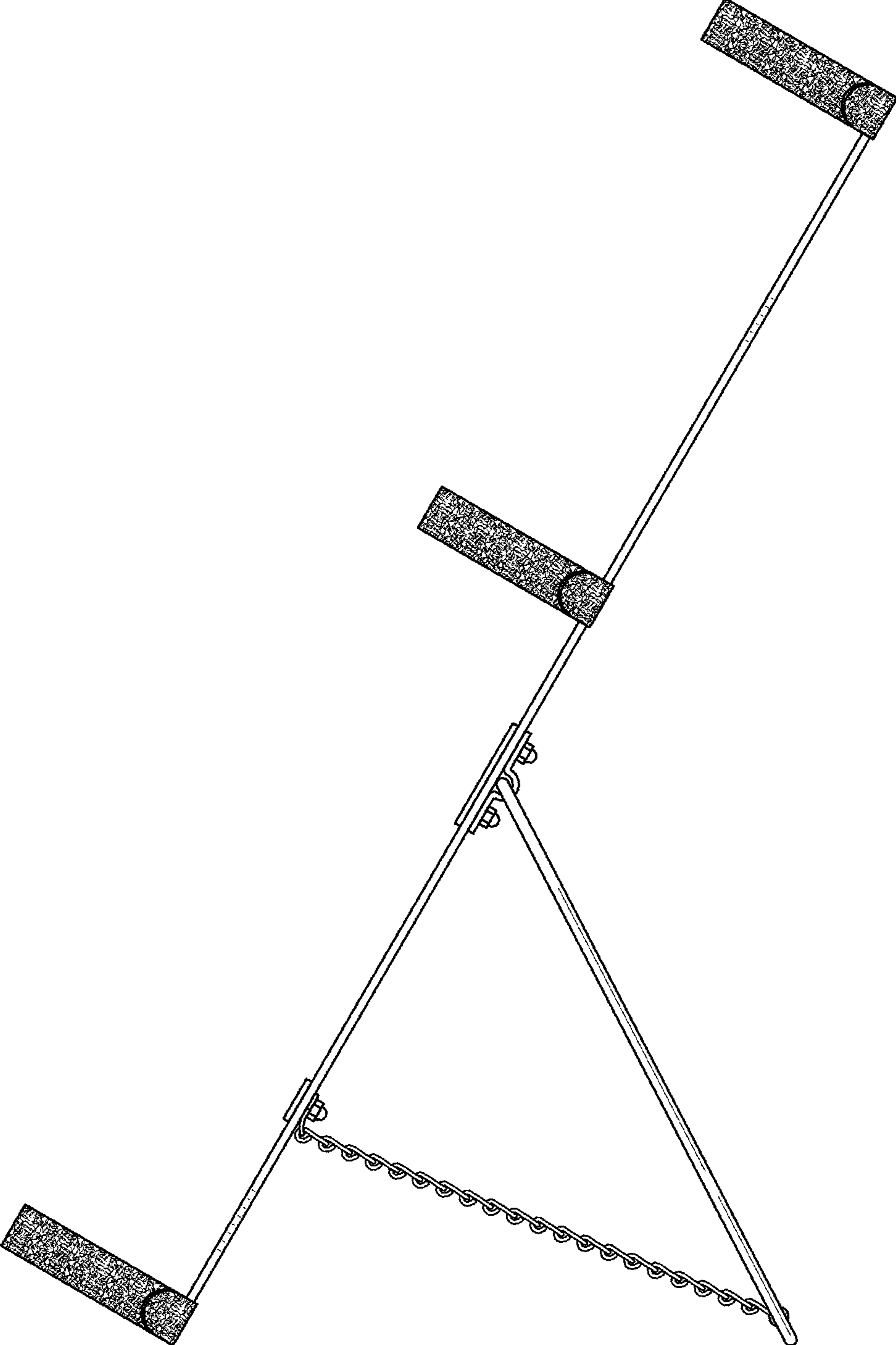


FIG. 4

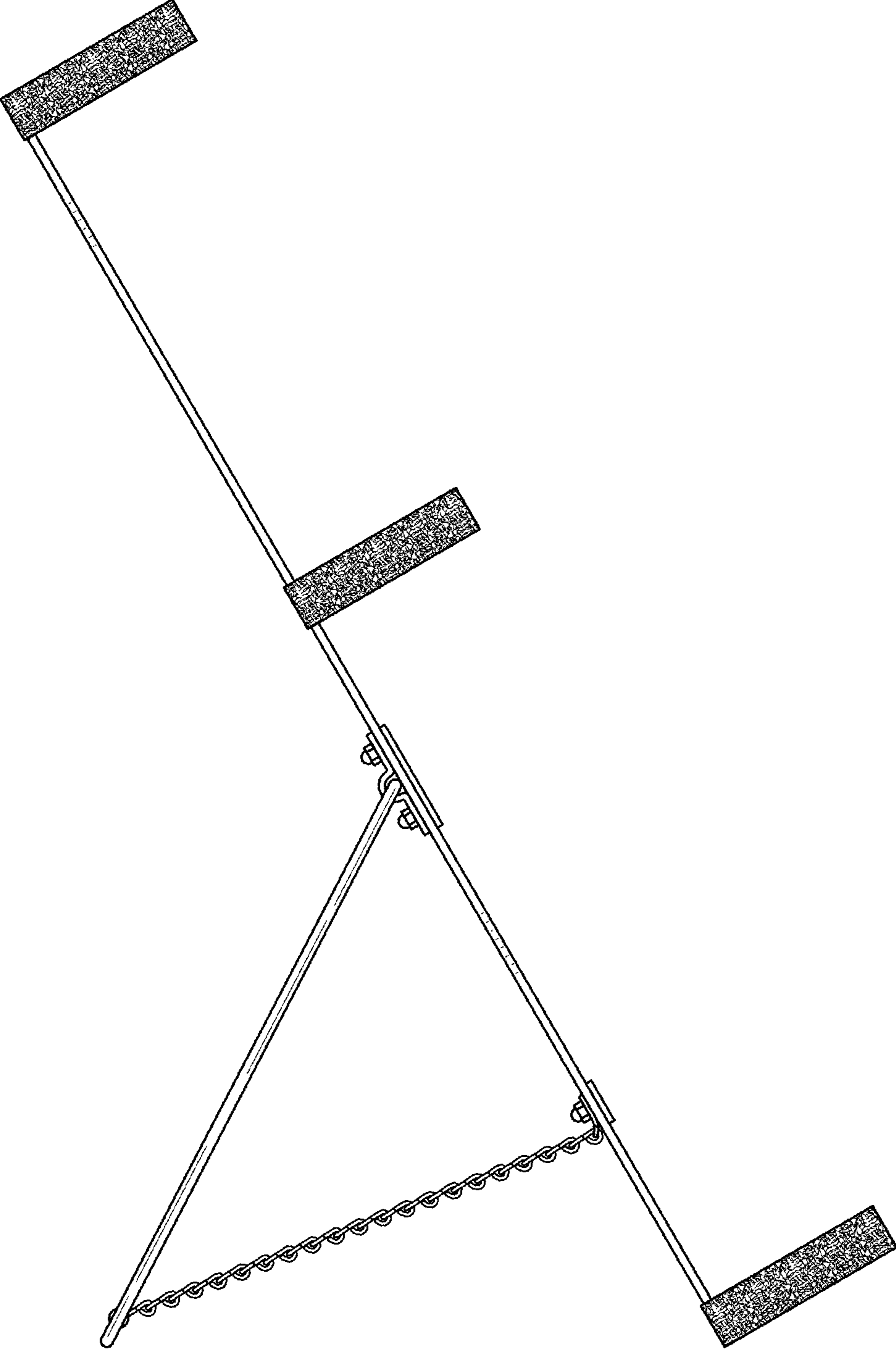


FIG. 5

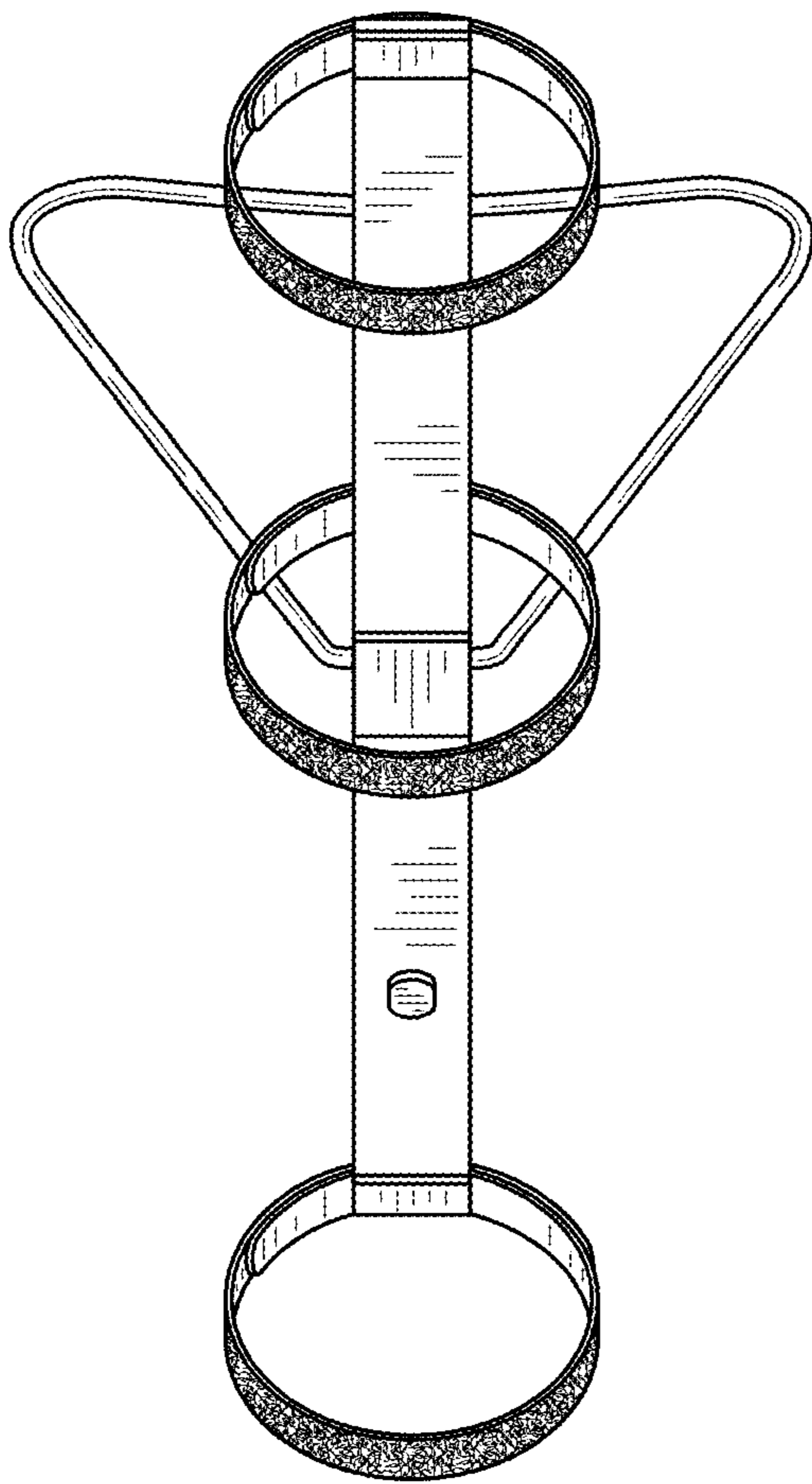


FIG. 6

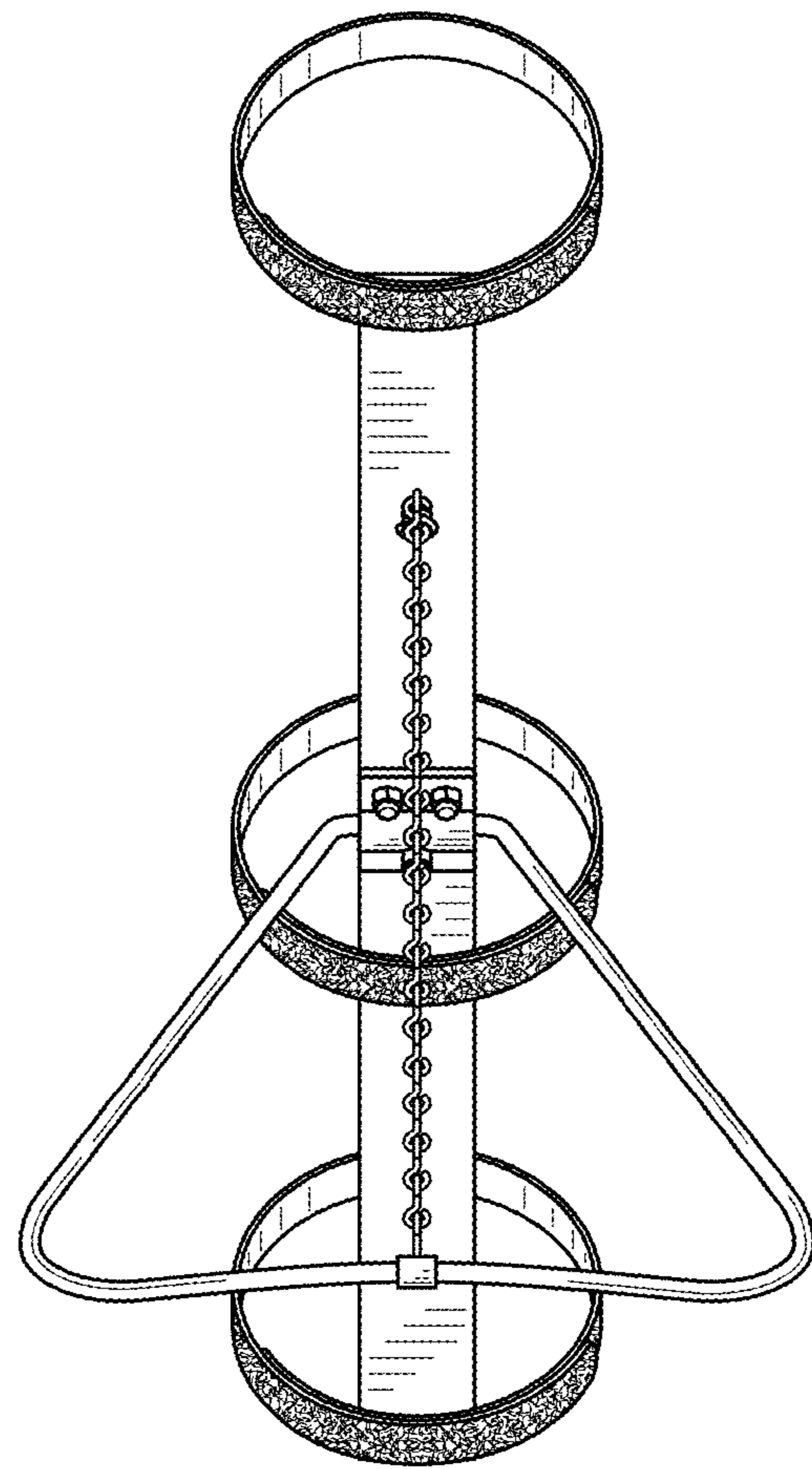


FIG. 7

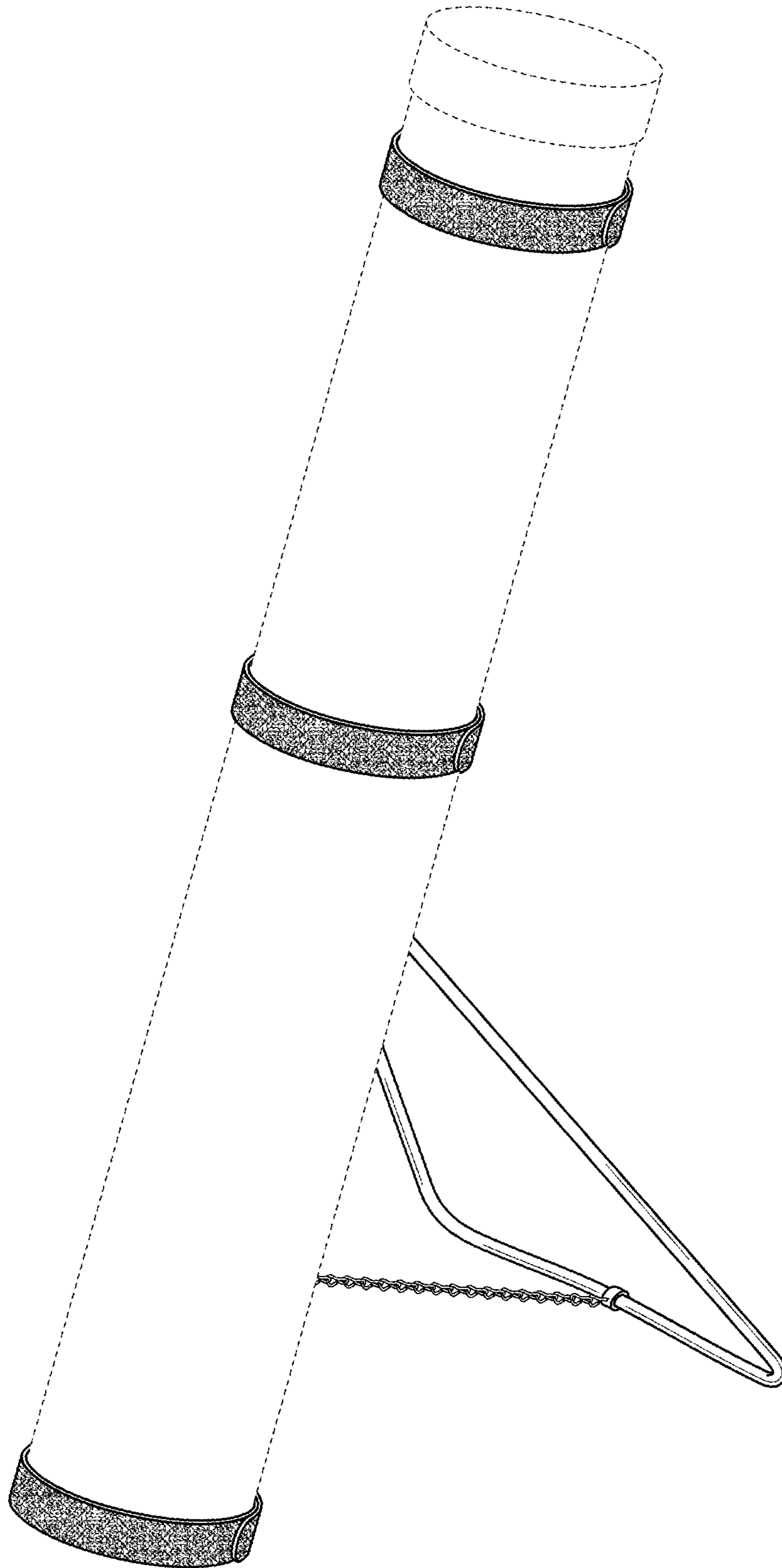


FIG. 8