



US00D774298S

(12) **United States Design Patent** (10) **Patent No.:** **US D774,298 S**
Mathews, Jr. (45) **Date of Patent:** **** Dec. 20, 2016**

(54) **DUAL TOOL RETRACTABLE HOLSTER FOR A BELT**

D704,435 S * 5/2014 Moreau D3/228
D707,962 S * 7/2014 Moreau D3/228

(71) Applicant: **D B Industries, LLC**, Red Wing, MN (US)

* cited by examiner

(72) Inventor: **William J. Mathews, Jr.**, Woodstock, GA (US)

Primary Examiner — Catheri Oliver-Garcia

(73) Assignee: **D B Industries, LLC**, Red Wing, MN (US)

(74) *Attorney, Agent, or Firm* — Dicke, Billig & Czaja, PLLC

(**) Term: **14 Years**

(21) Appl. No.: **29/524,988**

(22) Filed: **Apr. 24, 2015**

(51) **LOC (10) Cl.** **03-01**

(52) **U.S. Cl.**

USPC **D3/228**

(58) **Field of Classification Search**

USPC . D3/215, 218–219, 224, 226, 228; 224/183, 224/274, 665, 672, 674–675, 678–681

CPC A45F 3/04; A45F 3/005; A45F 5/00; A45F 3/14; A45F 5/02; A45F

2200/05; A45F 2200/0575; B25H 3/00

See application file for complete search history.

(56) **References Cited**

U.S. PATENT DOCUMENTS

D240,572 S * 7/1976 Worsham D3/228
8,028,872 B2 * 10/2011 Hamlin A45F 5/02
224/183

(57) **CLAIM**

The ornamental design for the dual tool retractable holster for a belt, as shown and described.

DESCRIPTION

FIG. 1 is a perspective view of our dual tool retractable holster for a belt;

FIG. 2 is a front elevational view thereof;

FIG. 3 is a rear elevational view thereof;

FIG. 4 is a right side elevational view thereof;

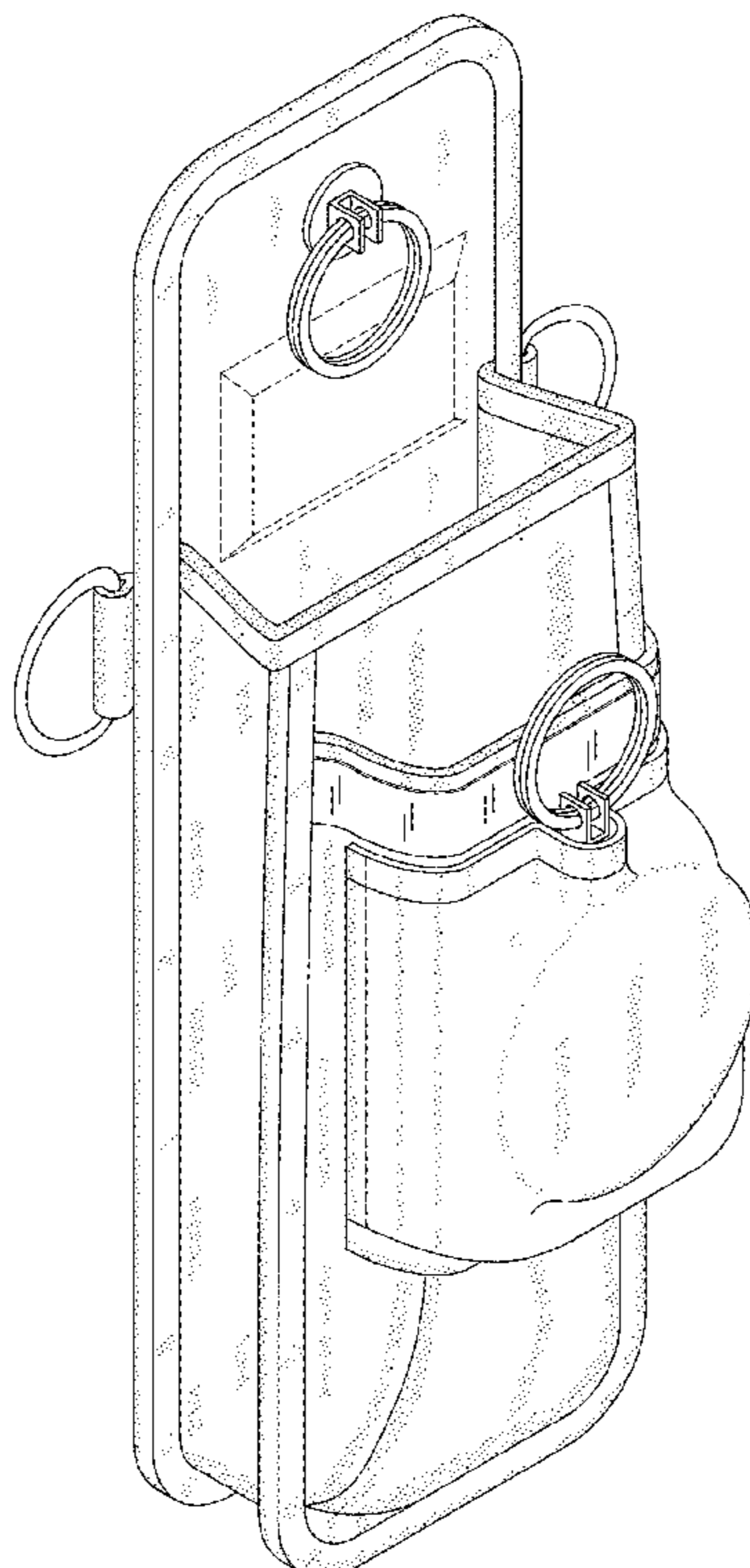
FIG. 5 is a left side elevational view thereof;

FIG. 6 is a top plan view thereof; and,

FIG. 7 is a bottom plan view thereof.

The broken lines depict environmental structure and are included for the purpose of illustrating only and form no part of the claimed design.

1 Claim, 5 Drawing Sheets



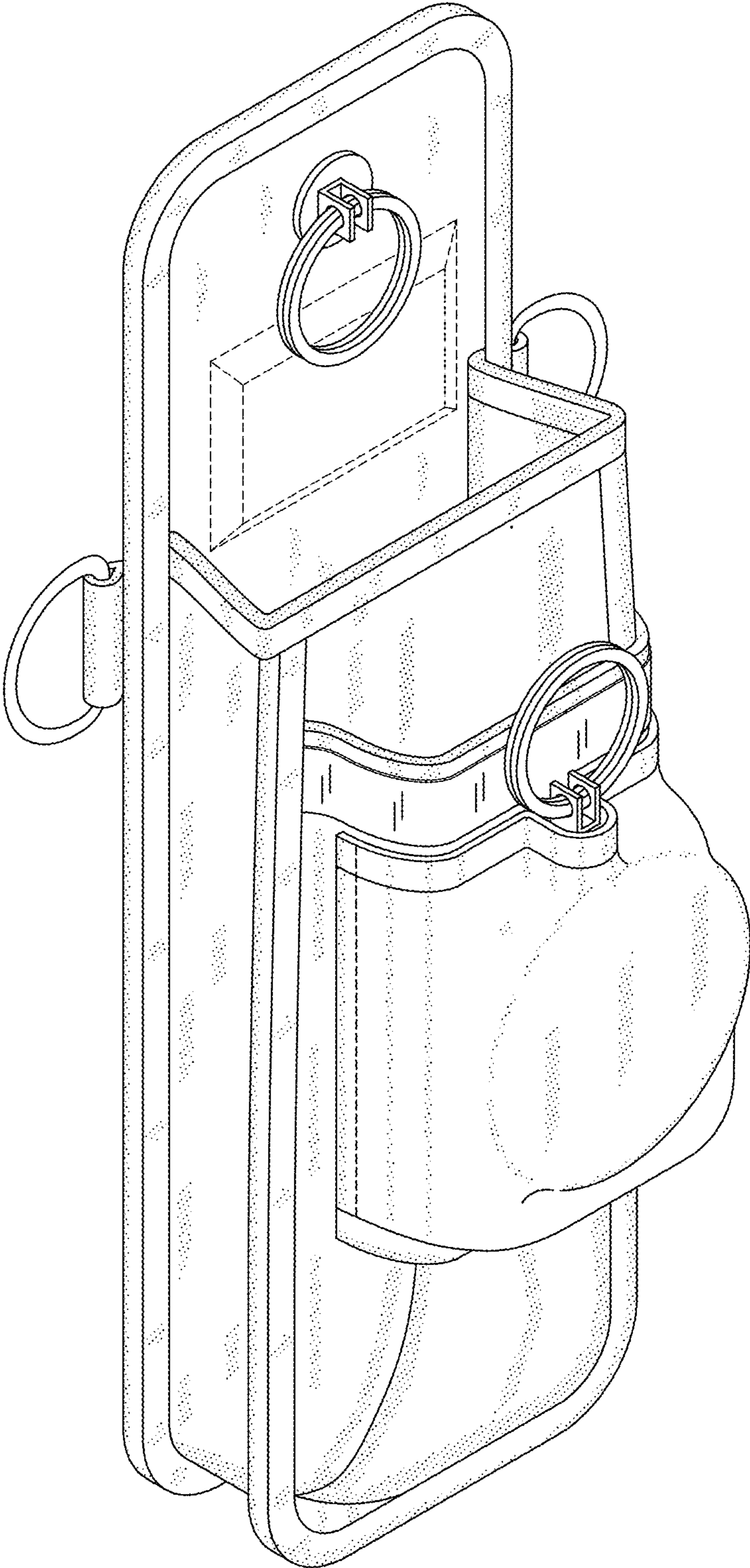


FIG. 1

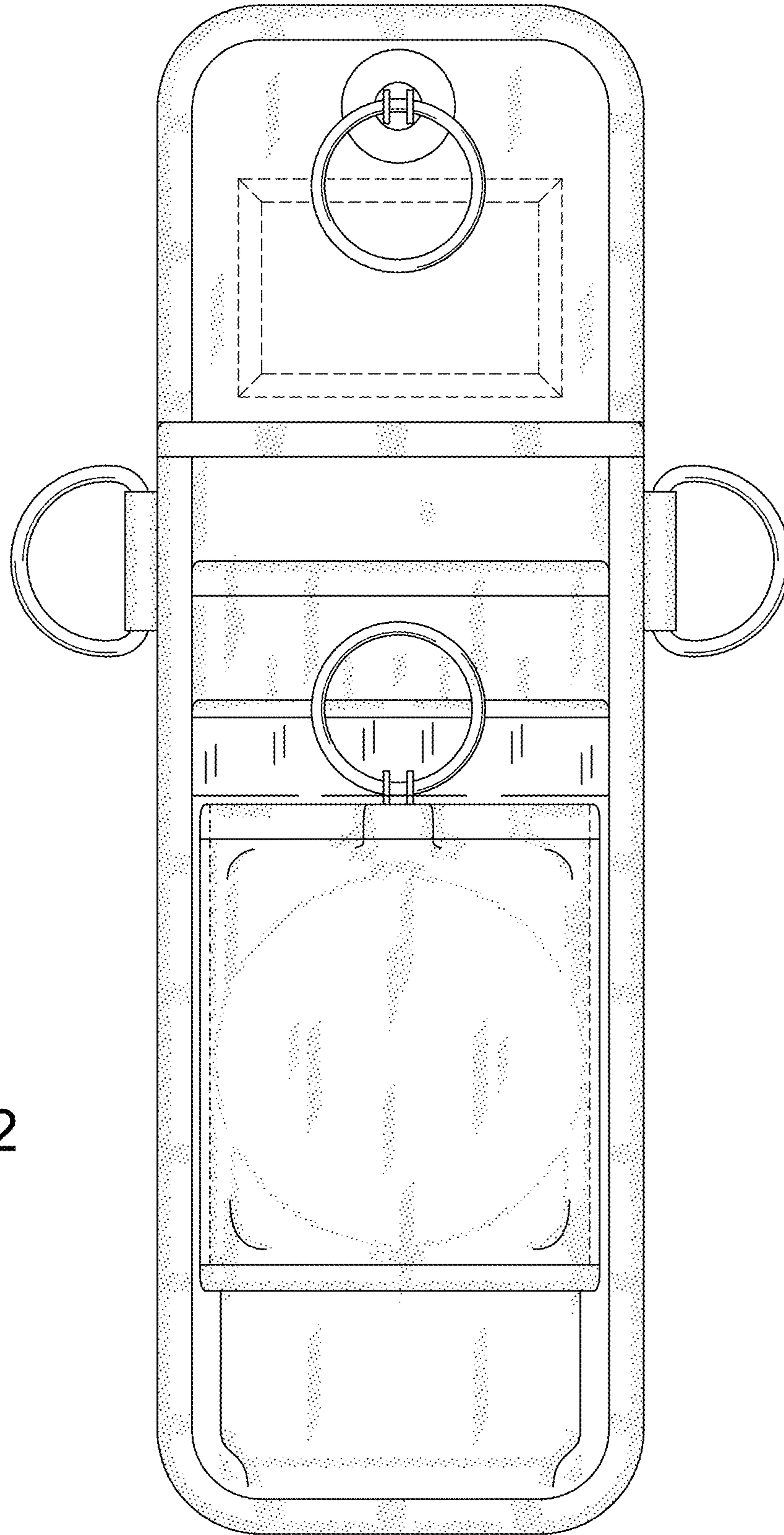


FIG. 2

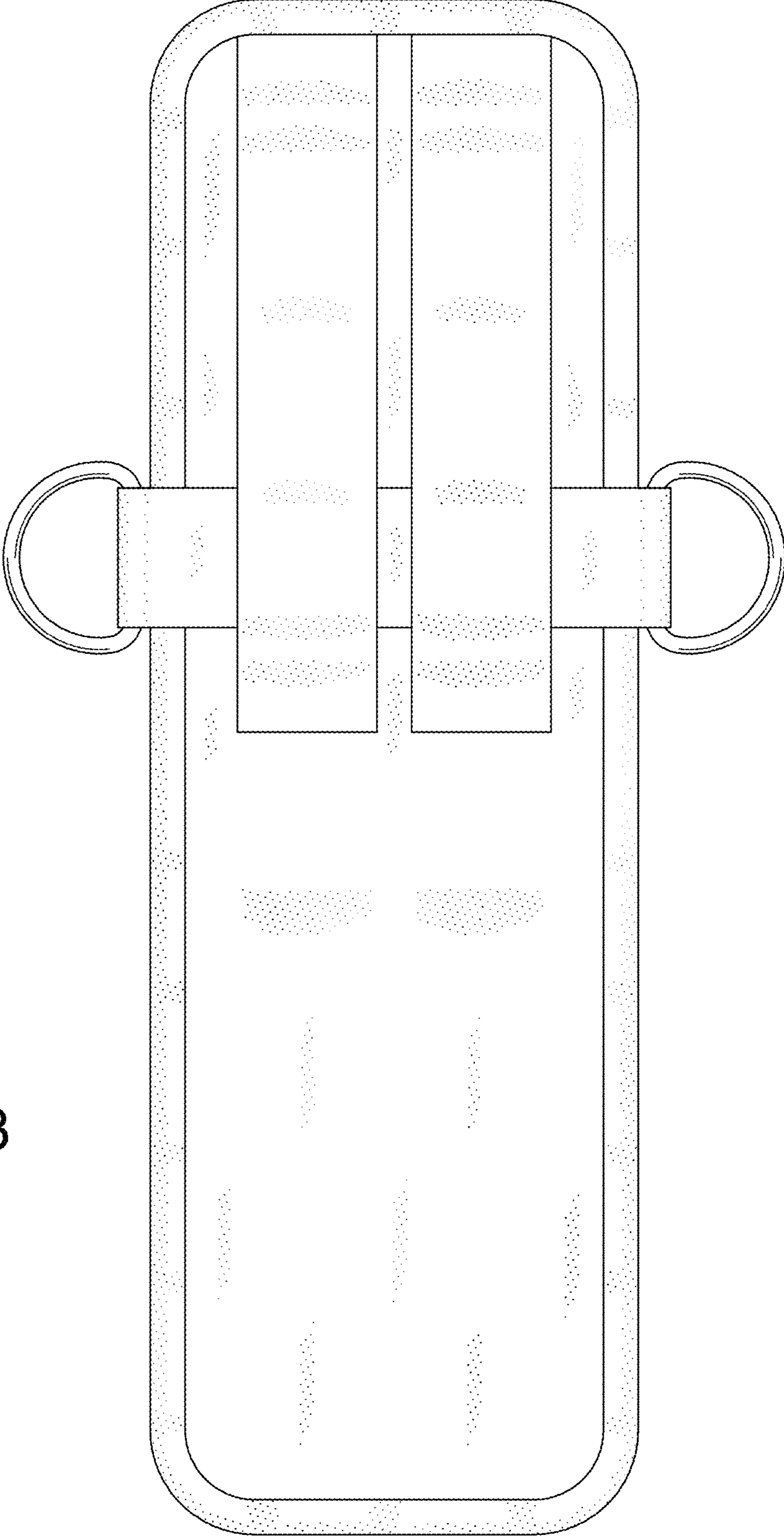
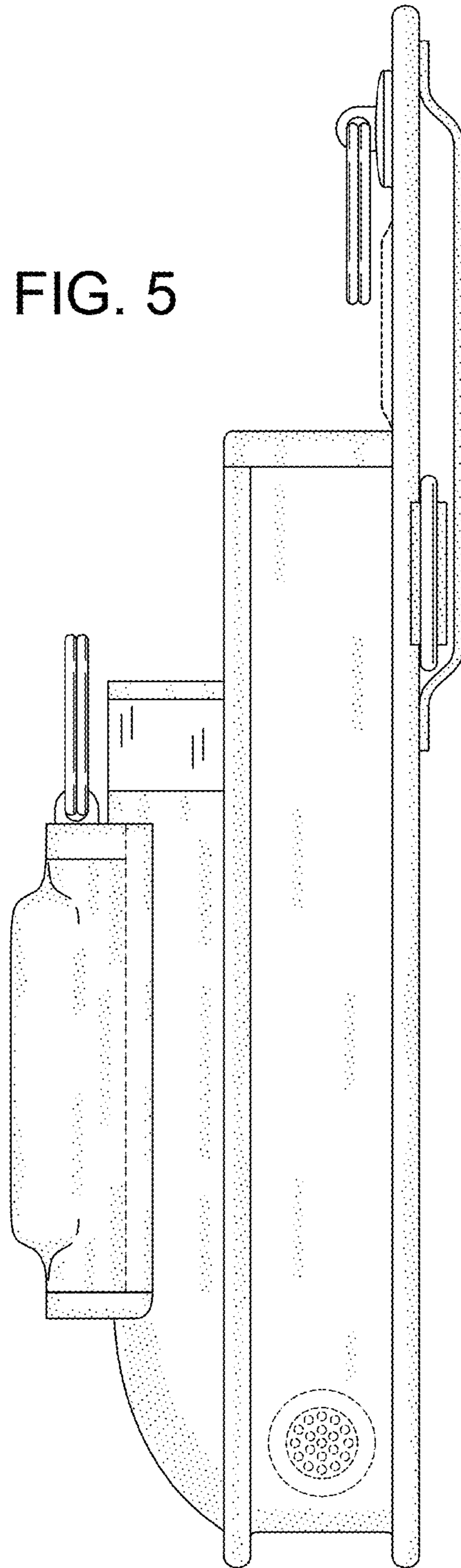
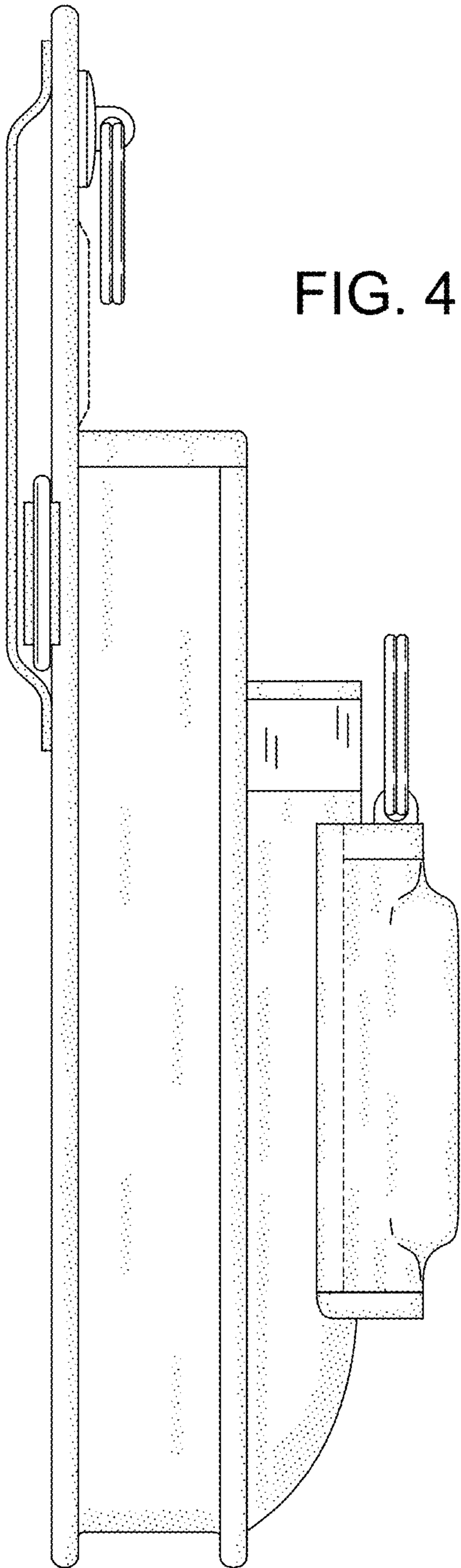


FIG. 3



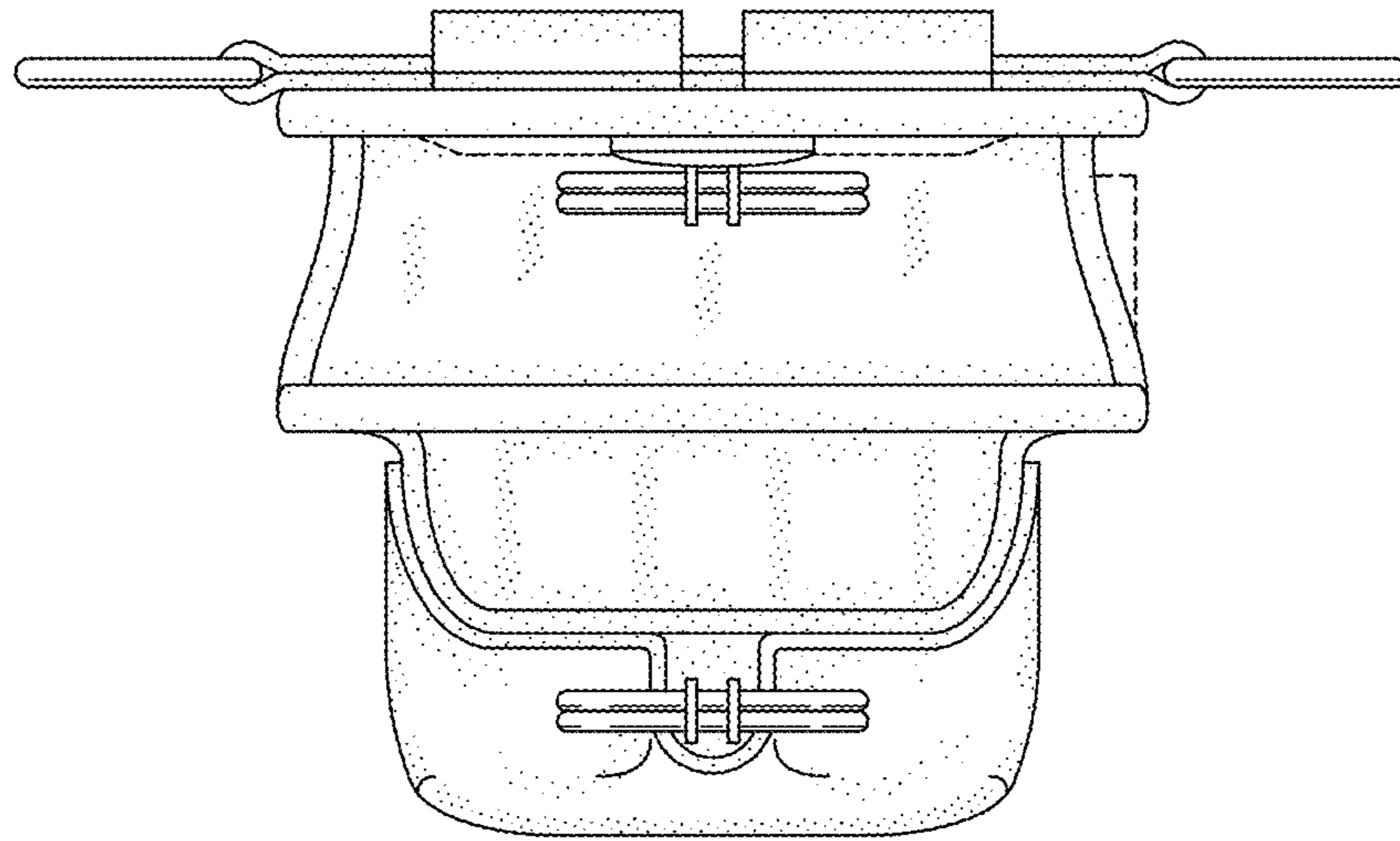


FIG. 6

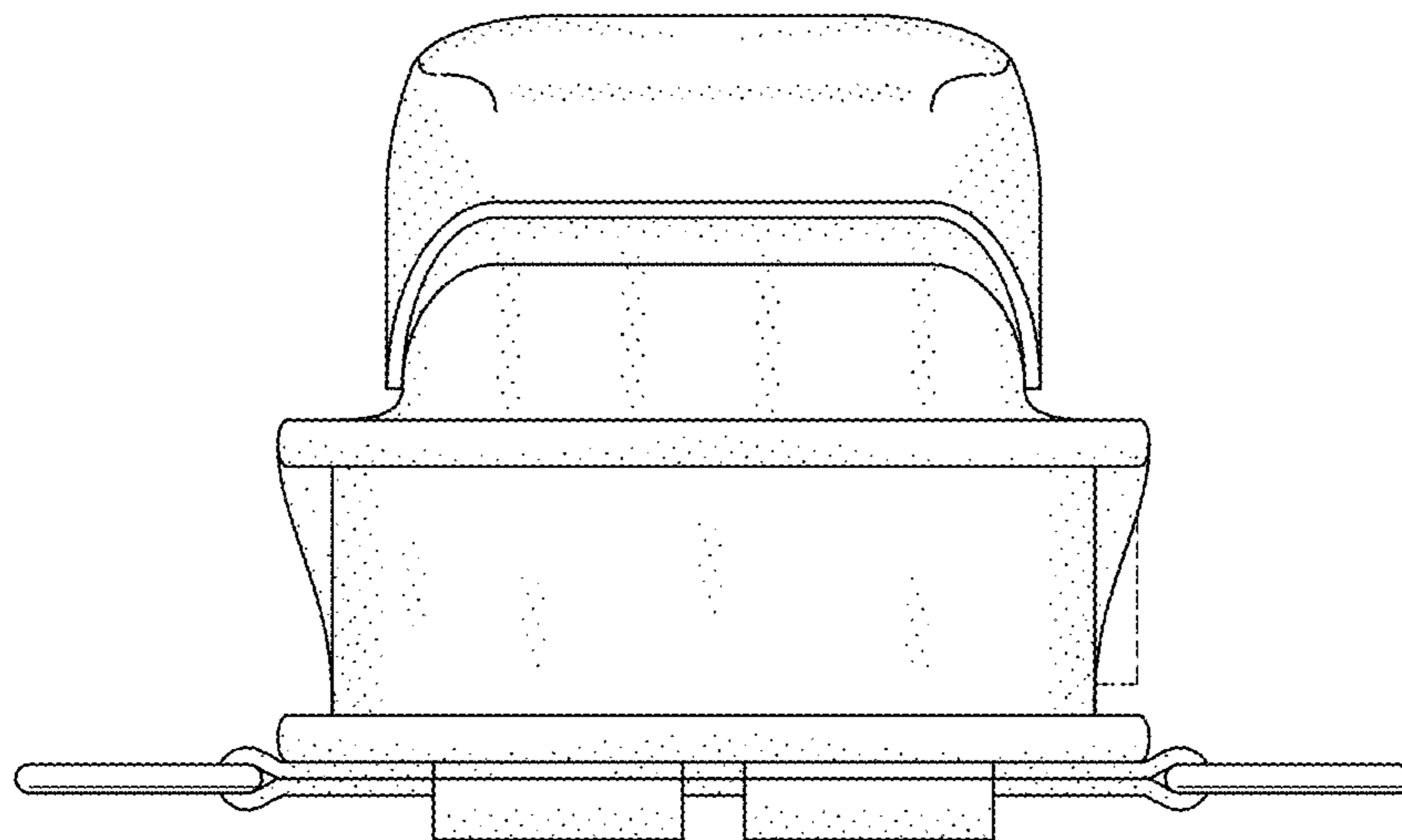


FIG. 7