



US00D774297S

(12) **United States Design Patent** (10) **Patent No.:** **US D774,297 S**  
**Workman** (45) **Date of Patent:** **\*\* Dec. 20, 2016**

(54) **ERGONOMIC TWIN BABY CARRIER**

FOREIGN PATENT DOCUMENTS

(71) Applicant: **Krystal Workman**, Falls Church, VA  
(US)

FR 2556574 A1 6/1985  
GB 1560260 A 1/1980  
(Continued)

(72) Inventor: **Krystal Workman**, Falls Church, VA  
(US)

OTHER PUBLICATIONS

(\*\*) Term: **14 Years**

“Twin Baby Carriers.” Retrieved from the Internet Dec. 4, 2011.  
URL: <http://www.twin-pregnancy-and-beyond.com/twin-baby-carriers.html>.

(21) Appl. No.: **29/518,397**

(Continued)

(22) Filed: **Feb. 23, 2015**

*Primary Examiner* — John Windmuller  
*Assistant Examiner* — Steven Czyz  
(74) *Attorney, Agent, or Firm* — Symbus Law Group,  
LLC; Clifford D. Hyra

**Related U.S. Application Data**

(63) Continuation-in-part of application No. 14/243,869,  
filed on Apr. 2, 2014, which is a continuation-in-part  
of application No. 13/758,963, filed on Feb. 4, 2013.

(57) **CLAIM**

The ornamental design for an ergonomic twin baby carrier,  
as shown and described.

(51) **LOC (10) Cl.** ..... **03-01**

**DESCRIPTION**

(52) **U.S. Cl.**  
USPC ..... **D3/214**

(58) **Field of Classification Search**  
USPC ..... D3/213, 214, 216, 224, 231; 224/158,  
224/159, 160  
CPC ..... A47D 13/025  
See application file for complete search history.

FIG. 1 is a perspective view of an ergonomic twin baby carrier shown without the hoods;  
FIG. 2 is a right side view thereof;  
FIG. 3 is a left side view thereof;  
FIG. 4 is a front side view thereof;  
FIG. 5 is a rear side view thereof;  
FIG. 6 is a top view thereof;  
FIG. 7 is a bottom side view thereof;  
FIG. 8 is a perspective view of the ergonomic twin baby carrier shown with the hoods, and in an alternate state;  
FIG. 9 is a right side view of the ergonomic twin baby carrier shown without the hoods and in an alternate state;  
FIG. 10 is a left side view of another alternate state thereof;  
FIG. 11 is a right side view of another alternate state thereof;  
and,  
FIG. 12 is a right side view of another alternate state thereof.

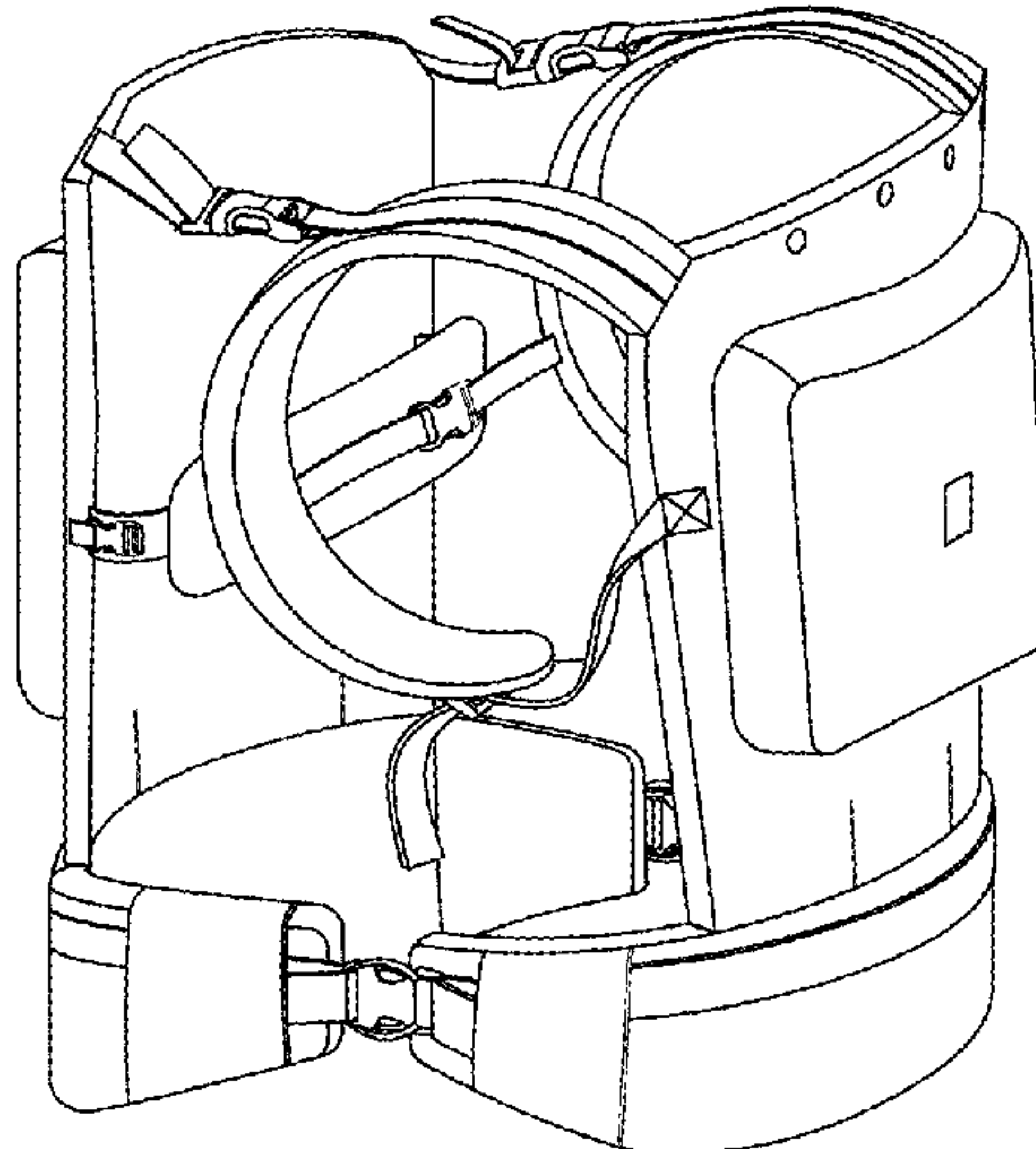
(56) **References Cited**

U.S. PATENT DOCUMENTS

3,229,873 A \* 1/1966 Hershman ..... A47D 13/025  
224/160  
4,402,440 A \* 9/1983 Purtzer ..... A47D 13/025  
224/159  
4,428,514 A 1/1984 Elf  
4,469,259 A 9/1984 Krich et al.

(Continued)

**1 Claim, 7 Drawing Sheets**



(56)

References Cited

U.S. PATENT DOCUMENTS

D275,812 S \* 10/1984 Deacon ..... D2/864  
 D276,478 S \* 11/1984 Fallon ..... D3/214  
 4,778,091 A \* 10/1988 Barto ..... A47D 13/025  
 224/158  
 D307,821 S \* 5/1990 Fallon ..... 224/158  
 D312,726 S \* 12/1990 Kline ..... 224/624  
 5,246,152 A \* 9/1993 Dotseth ..... A47D 13/025  
 224/158  
 5,289,959 A \* 3/1994 Beeley ..... A61G 1/00  
 224/158  
 D357,800 S \* 5/1995 Roan ..... D3/213  
 5,454,498 A \* 10/1995 Dunn ..... A47D 13/025  
 224/160  
 D370,996 S \* 6/1996 Shimura ..... D3/213  
 5,522,528 A \* 6/1996 Petricola ..... A47D 13/025  
 224/160  
 5,570,823 A \* 11/1996 Lindy ..... A47D 13/025  
 224/159  
 D377,116 S \* 1/1997 Shimura ..... D3/213  
 D385,105 S \* 10/1997 Fair ..... D3/214  
 5,678,739 A 10/1997 Darling et al.  
 5,685,466 A 11/1997 Hsieh  
 D395,161 S \* 6/1998 Fair ..... D3/214  
 D397,867 S \* 9/1998 Fair ..... D3/213  
 5,799,851 A 9/1998 Wulf et al.  
 5,848,741 A \* 12/1998 Fair ..... A47C 7/66  
 224/160  
 D425,696 S \* 5/2000 Swanke ..... D3/213  
 D437,996 S \* 2/2001 Fair ..... D3/213  
 D452,993 S \* 1/2002 Norman ..... D3/213  
 D455,546 S \* 4/2002 Norman ..... D3/213  
 D507,102 S \* 7/2005 Bergkvist ..... D3/213  
 D507,869 S \* 8/2005 Liistro ..... D3/213  
 D509,056 S \* 9/2005 Shiraiishi ..... D3/213  
 D611,699 S \* 3/2010 Lundh ..... D3/213  
 D615,750 S \* 5/2010 Jones ..... D3/213  
 D642,375 S \* 8/2011 Zack ..... D3/214  
 D649,345 S \* 11/2011 Bergkvist ..... D3/214  
 D655,495 S \* 3/2012 Sauer ..... D3/214  
 D664,351 S \* 7/2012 Bergkvist ..... D3/214  
 D692,227 S \* 10/2013 Andren ..... D3/213  
 D693,569 S \* 11/2013 Lehan ..... D3/214  
 8,590,757 B2 \* 11/2013 Frost ..... A47D 13/025  
 224/159  
 8,636,181 B2 1/2014 Gunter et al.  
 8,701,949 B1 \* 4/2014 Lehan ..... A45F 3/047  
 224/160  
 D712,134 S \* 9/2014 Gunter ..... D3/214  
 D714,045 S \* 9/2014 Stave ..... D3/213  
 D733,419 S \* 7/2015 Wikner ..... D3/214  
 D748,907 S \* 2/2016 Figler ..... D3/213  
 2004/0031827 A1 2/2004 Haber  
 2004/0149790 A1 \* 8/2004 Kassai ..... A47D 13/025  
 224/160

2005/0051582 A1 \* 3/2005 Frost ..... A47D 13/025  
 224/160  
 2005/0184114 A1 \* 8/2005 Hoff ..... A47D 13/025  
 224/160  
 2006/0261104 A1 \* 11/2006 Zambrzycki ..... A47D 13/025  
 224/158  
 2007/0029356 A1 \* 2/2007 Moriguchi ..... A47D 13/025  
 224/160  
 2008/0190972 A1 \* 8/2008 Gray ..... A47D 15/006  
 224/160  
 2009/0026235 A1 \* 1/2009 Gray ..... A47D 15/006  
 224/160  
 2009/0206116 A1 \* 8/2009 Grant ..... A45F 3/08  
 224/160  
 2010/0072236 A1 \* 3/2010 Parness ..... A47D 13/025  
 224/161  
 2011/0290831 A1 \* 12/2011 Wang ..... A47D 13/025  
 224/160  
 2012/0043359 A1 \* 2/2012 Bergkvist ..... A47D 13/025  
 224/160  
 2013/0327796 A1 \* 12/2013 Poiani ..... A47D 13/02  
 224/160  
 2014/0131401 A1 \* 5/2014 Workman ..... A47D 13/025  
 224/160  
 2014/0263491 A1 \* 9/2014 Telford ..... A47D 13/025  
 224/160  
 2014/0319189 A1 \* 10/2014 Hoppener-Visser . A47D 13/025  
 224/160  
 2015/0196133 A1 \* 7/2015 Rosen ..... A47D 13/025  
 224/160  
 2015/0282638 A1 \* 10/2015 Workman ..... A47D 13/025  
 224/160  
 2015/0282639 A1 \* 10/2015 Chuah ..... A47D 13/025  
 224/160

FOREIGN PATENT DOCUMENTS

JP 2009207848 A 9/2009  
 JP 2010029290 A 2/2010

OTHER PUBLICATIONS

'Maximom Baby Carrier for Twins.' Retrieved from the Internet Dec. 4, 2011. URL: <http://www.the-baby-boutique.com/maximomtwincarrier.html>.  
 Review and description of the TwinTrex baby carrier, from the webpage [www.breastfeedingquest.com/twin-carrier.html](http://www.breastfeedingquest.com/twin-carrier.html) (retrieved on Feb. 20, 2015).  
 Online article with a review of the TwinTrex baby carrier, dated Aug. 8, 2011, from the webpage <http://www.playdatecrashers.com/2011/08/twintrex-carrier/> (retrieved on Feb. 2, 2015).  
 Advertisement and description/photos for the MaxiMom Baby Carrier, Apr. 6, 2005, from the webpage [www.tottenders.com/page2.html](http://www.tottenders.com/page2.html) (retrieved using the Internet Archive Wayback Machine on Feb. 16, 2015).

\* cited by examiner

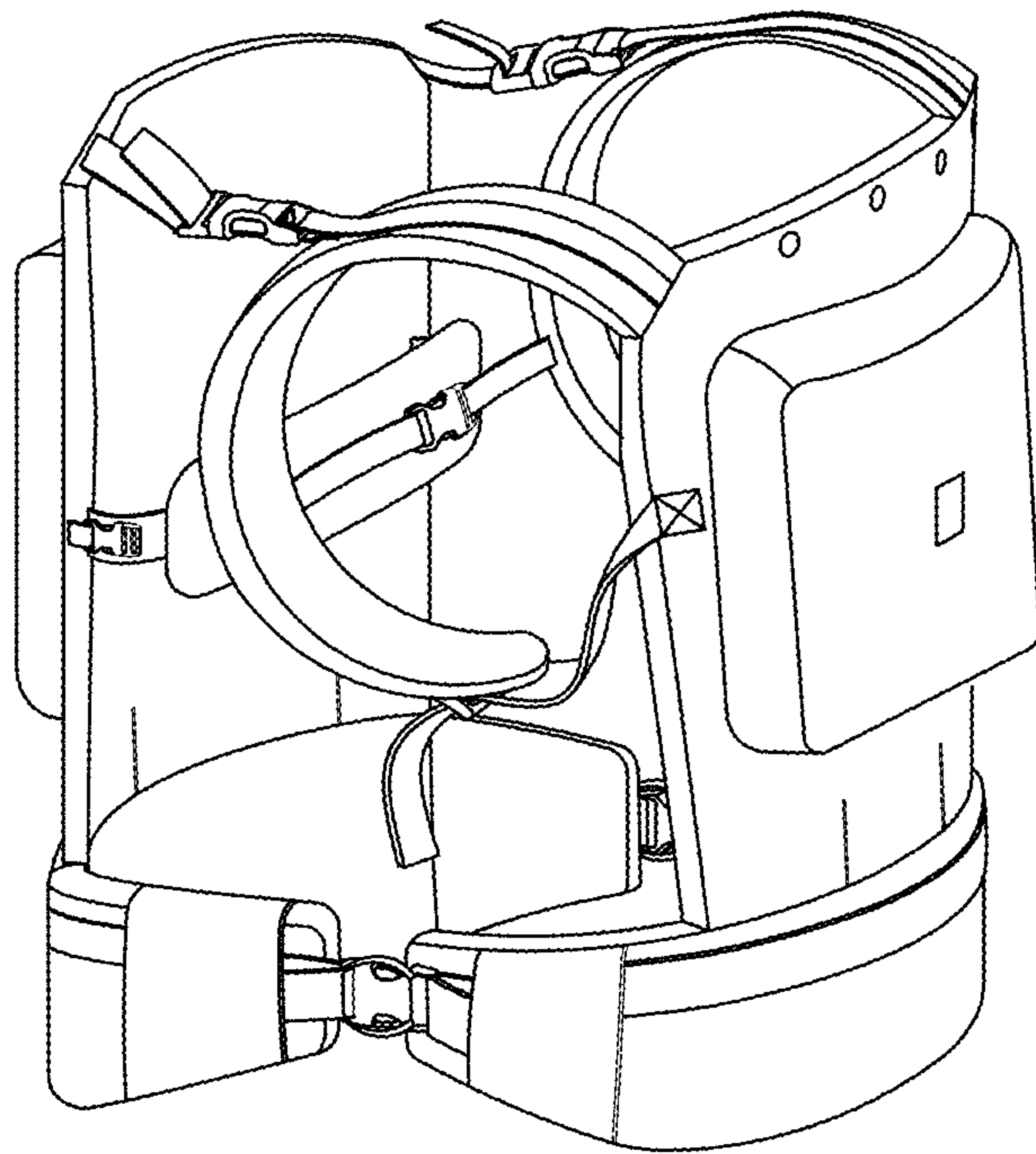


FIG. 1



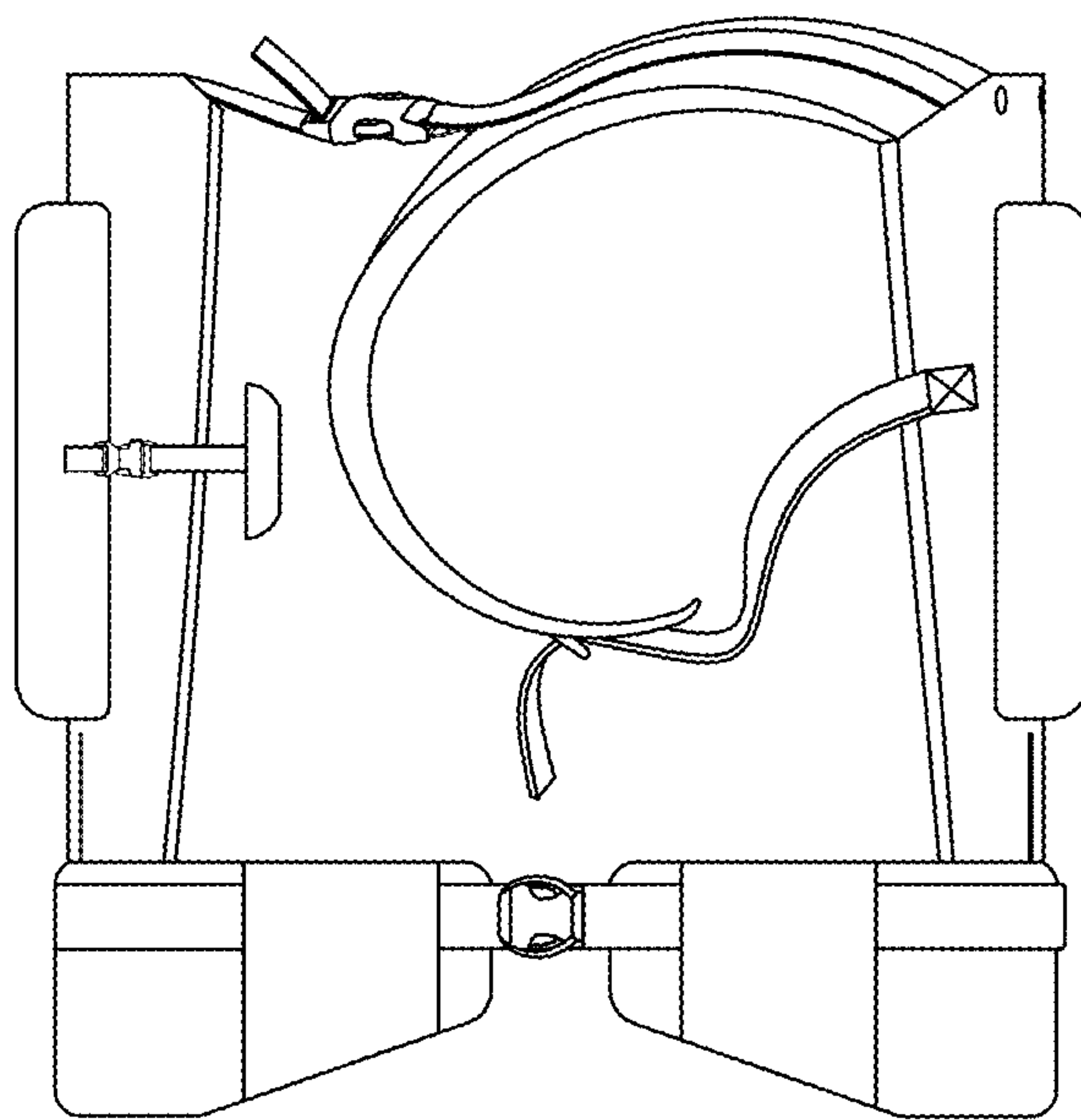


FIG. 2

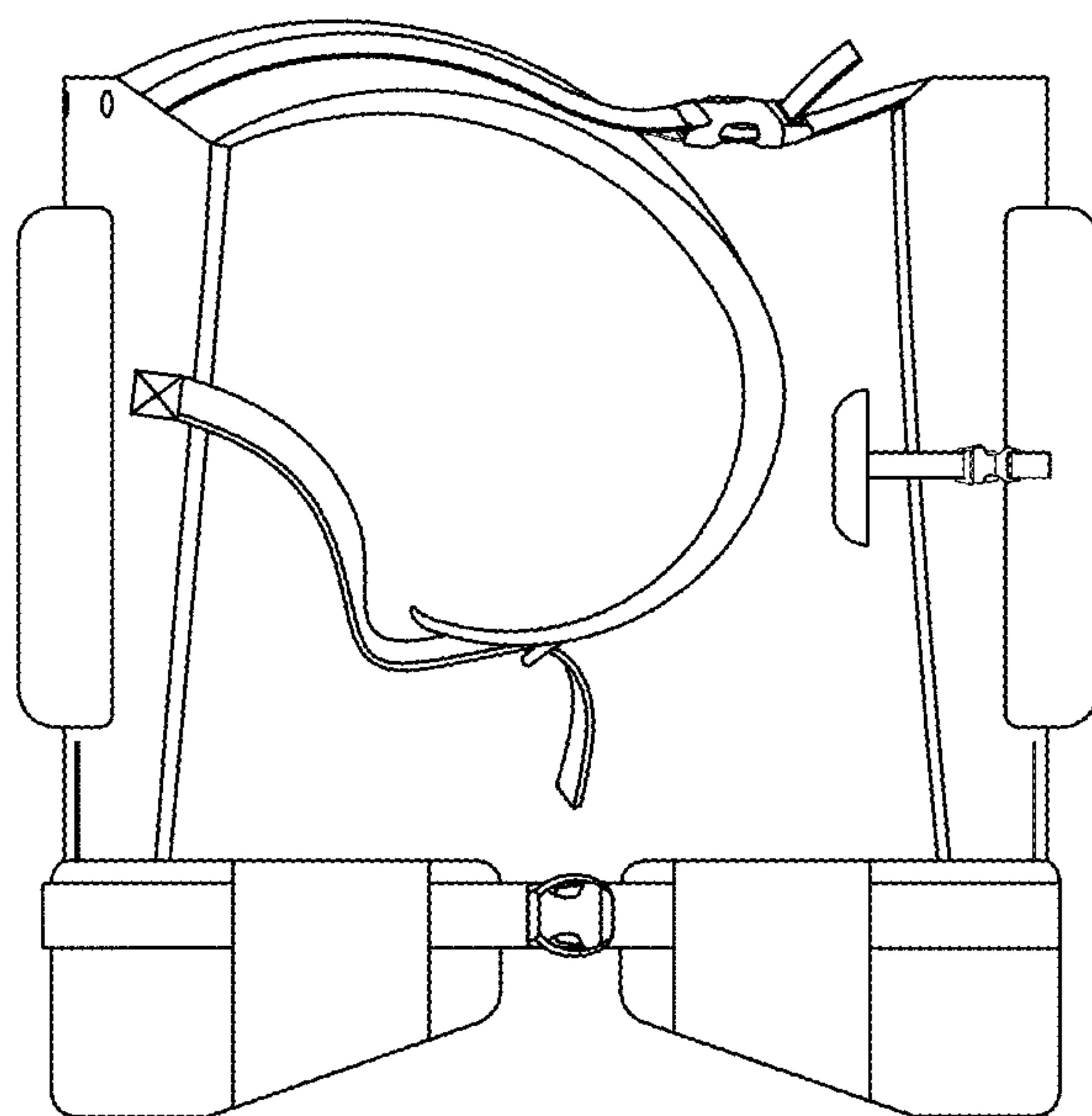
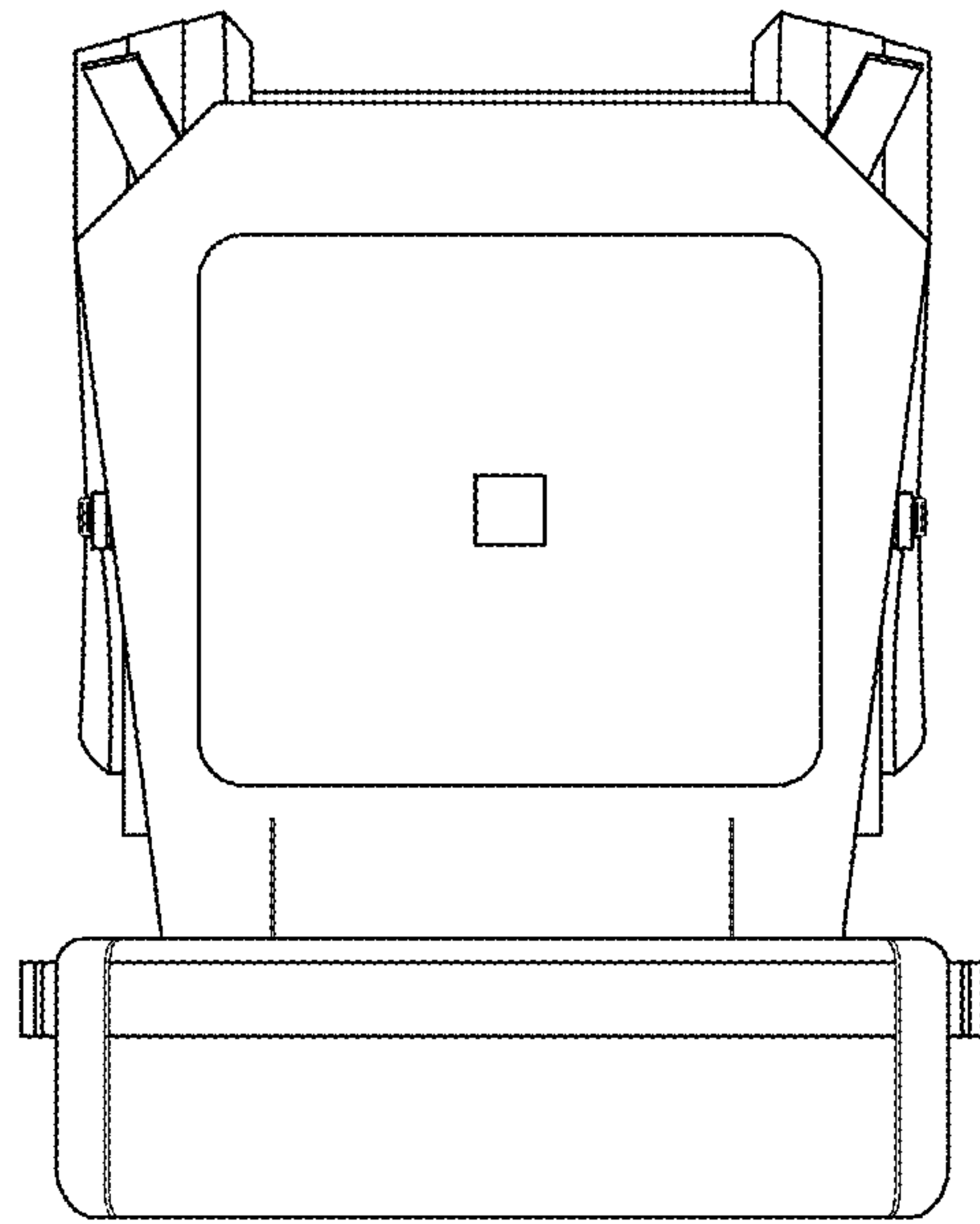
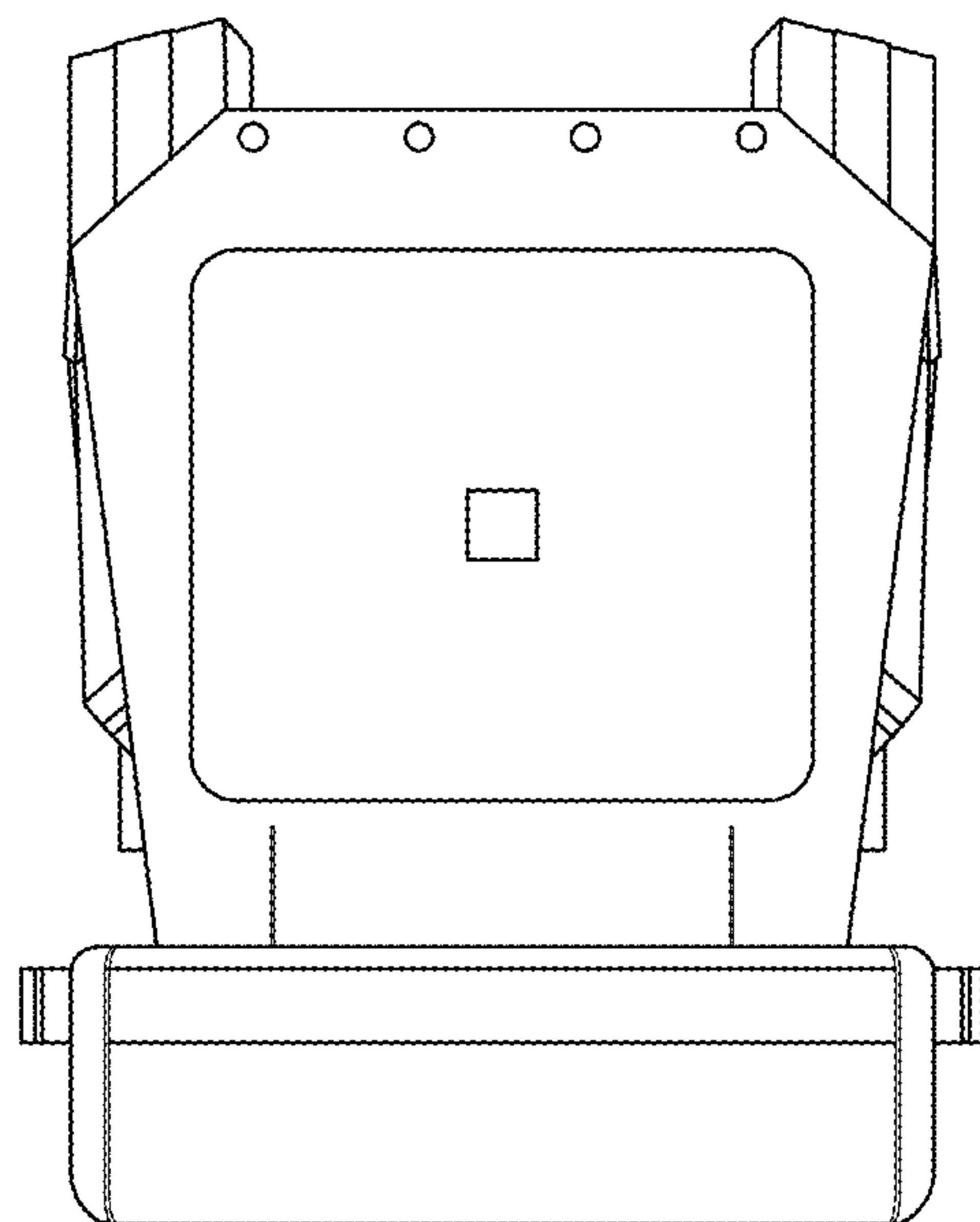


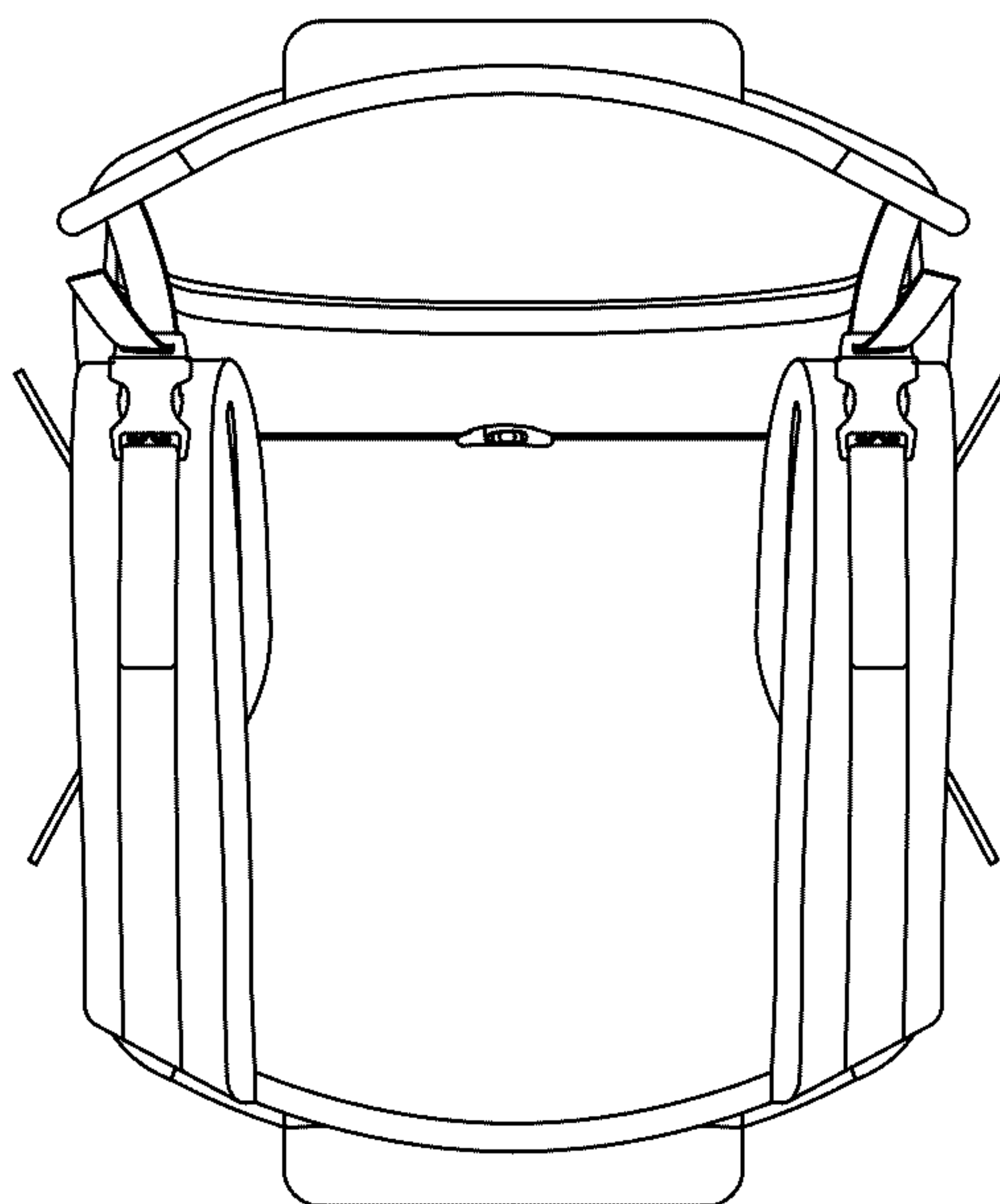
FIG. 3



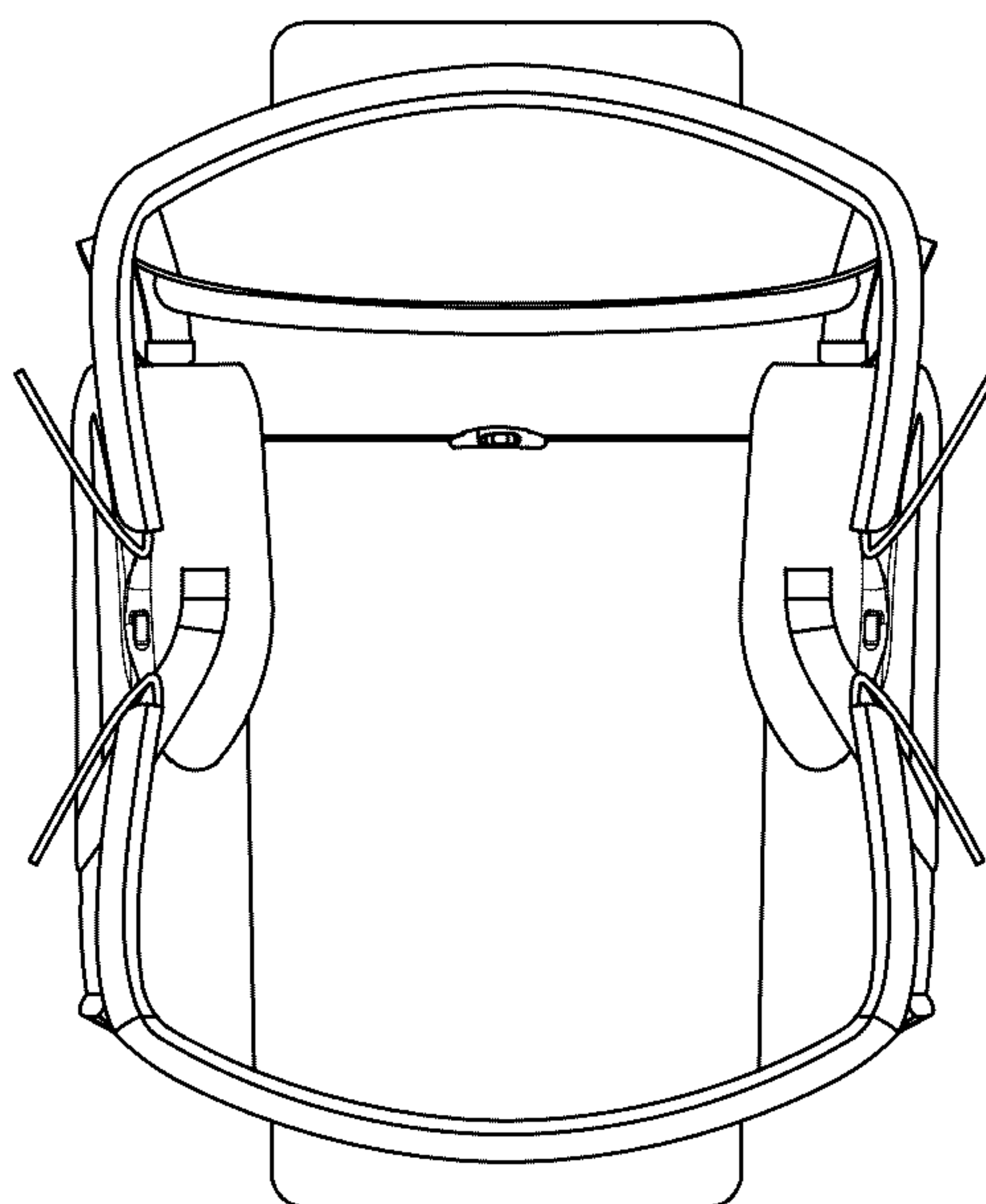
*FIG. 4*



*FIG. 5*



*FIG. 6*



*FIG. 7*

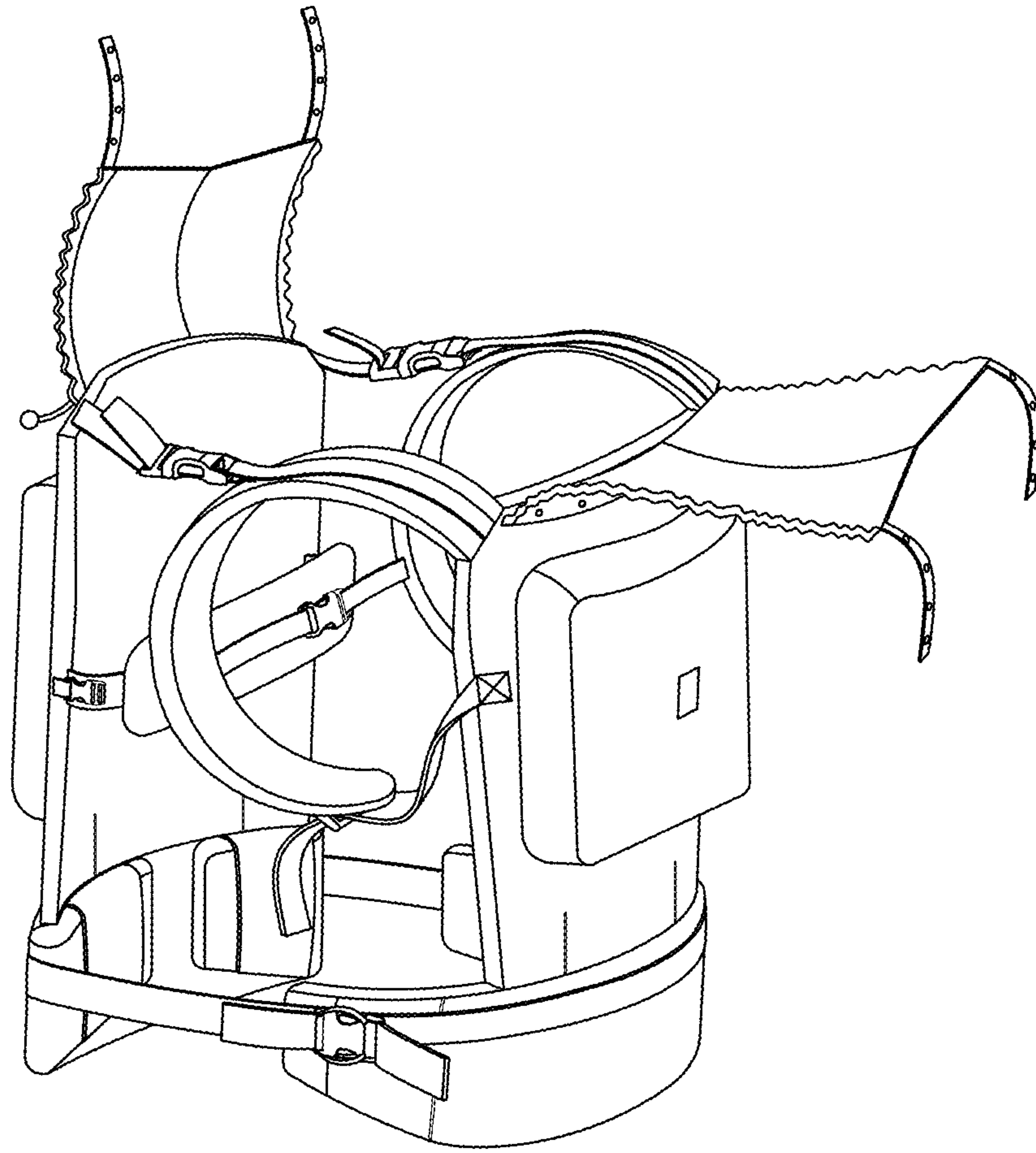


FIG. 8

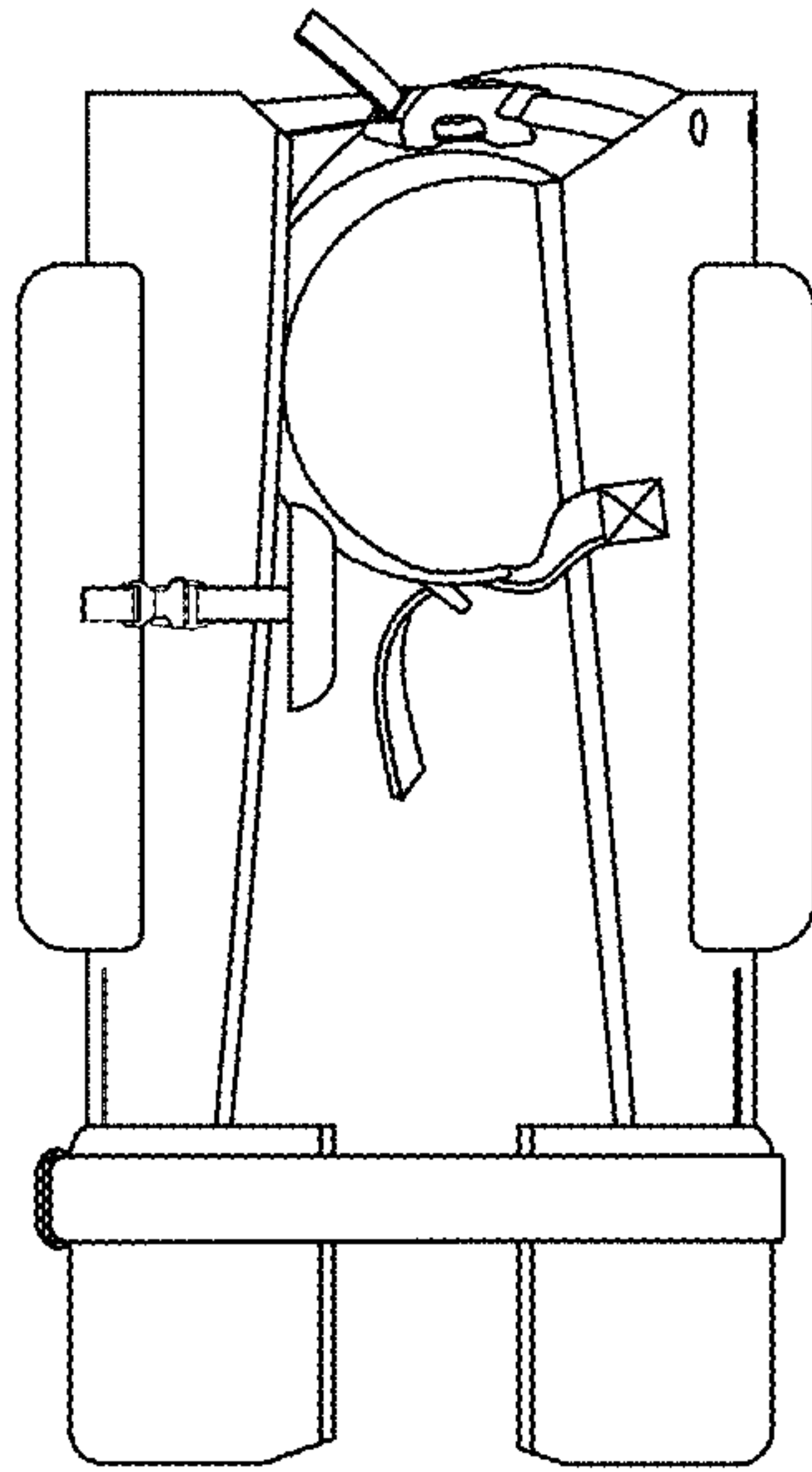


FIG. 9

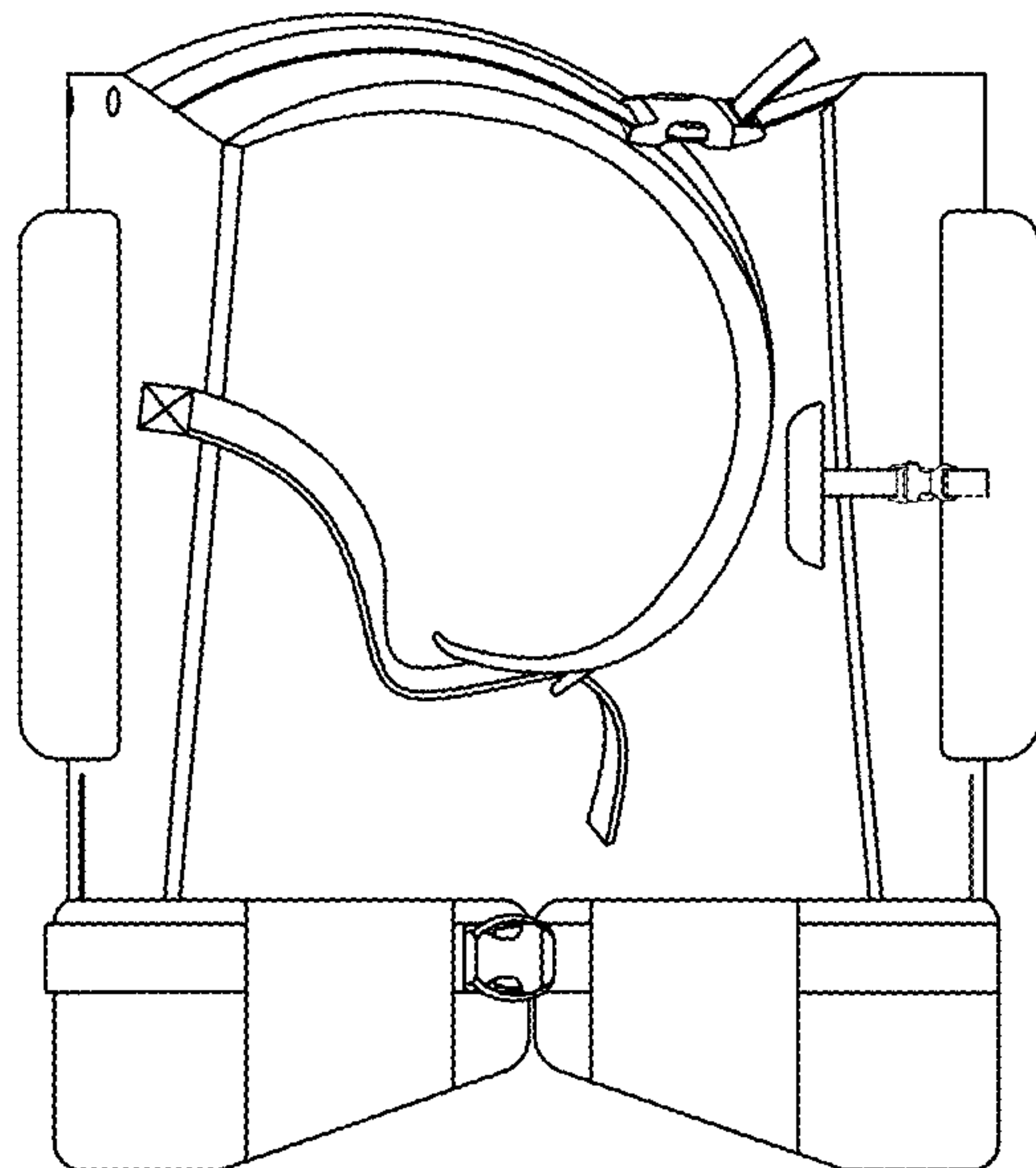
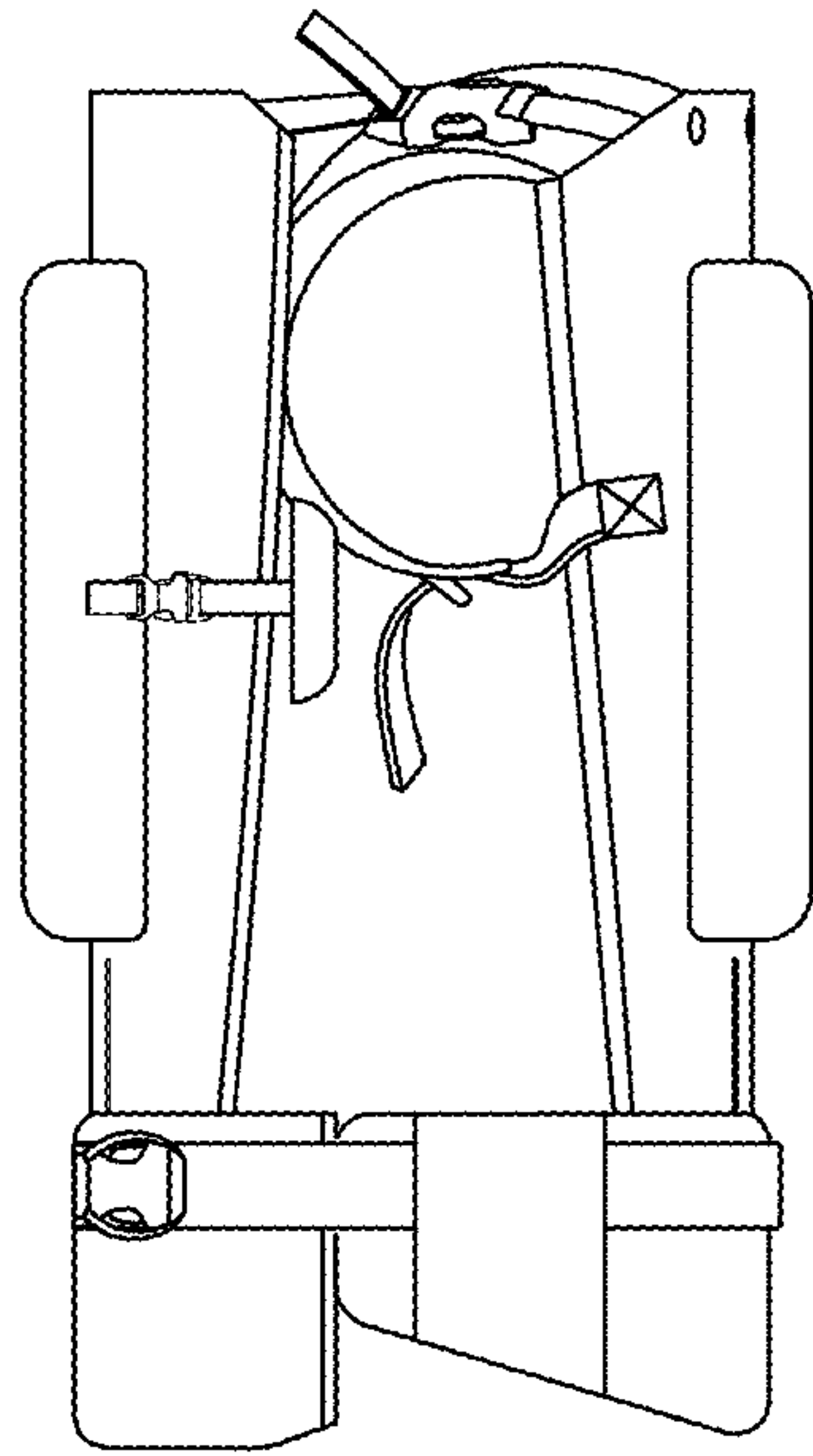
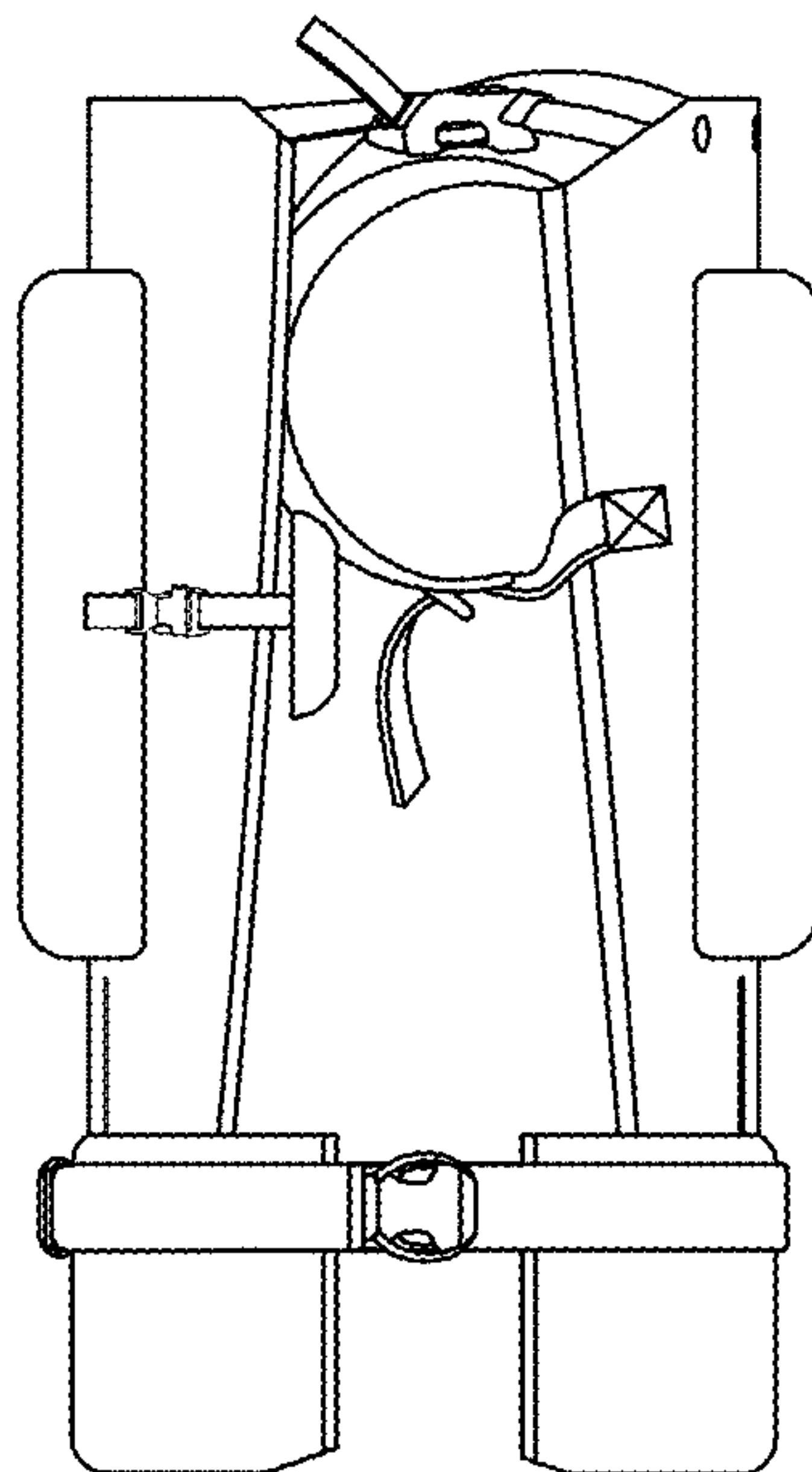


FIG. 10





*FIG. 11*



*FIG. 12*