



US00D774279S

(12) **United States Design Patent**
Hawkins

(10) **Patent No.:** **US D774,279 S**

(45) **Date of Patent:** **** Dec. 20, 2016**

(54) **ROOF SAFETY SHORTS**

(71) Applicant: **Damon Howard Hawkins**, Frisco, TX
(US)

(72) Inventor: **Damon Howard Hawkins**, Frisco, TX
(US)

(**) Term: **15 Years**

(21) Appl. No.: **29/536,006**

(22) Filed: **Aug. 12, 2015**

Related U.S. Application Data

(63) Continuation-in-part of application No. 14/280,637,
filed on May 18, 2014, now abandoned.

(51) **LOC (10) Cl.** **02-02**

(52) **U.S. Cl.**

USPC **D2/731**

(58) **Field of Classification Search**

USPC D2/731, 738, 712, 851; 2/237, 235, 228,
2/405, 227

CPC A47C 7/021; A41F 9/025; A41D 1/14;
A41D 1/06; A41D 1/08; A41D 13/0017;
A41B 9/02

See application file for complete search history.

(56) **References Cited**

U.S. PATENT DOCUMENTS

- 2,446,006 A * 7/1948 Hendricks A47C 7/021
2/22
- D201,861 S * 8/1965 Cummins 2/22
- 5,511,248 A 4/1996 Widdemer
- 5,652,957 A 8/1997 Williford
- D414,012 S * 9/1999 Tobias D2/738
- 6,081,930 A * 7/2000 Phillips A41F 9/025
2/237
- 6,282,723 B1 * 9/2001 Villegas A41D 1/14
2/211

- D487,609 S * 3/2004 Cruz D2/731
- D510,791 S * 10/2005 Nathan-Kohan D2/712
- D545,529 S * 7/2007 Helbing D2/731
- D545,530 S * 7/2007 Helbing D2/731

(Continued)

FOREIGN PATENT DOCUMENTS

- EM 002248740-0001 * 6/2013
- EM 002592642-0007 * 12/2014

OTHER PUBLICATIONS

3D Slate Trade Shorts, Announced Dec. 22, 2014, [Site Visited May
11, 2016] <http://scruffs.co.nz/shop/3d-slate-trade-shorts/>.*

(Continued)

Primary Examiner — John Windmuller

Assistant Examiner — Luqman McNeil

(74) *Attorney, Agent, or Firm* — Baker Law Firm

(57) **CLAIM**

The ornamental design for roof safety shorts, as shown and
described.

DESCRIPTION

FIG. 1 is a front elevation view of my new design for roof
safety shorts;

FIG. 2 is a back elevation view thereof;

FIG. 3 is a right side elevation view thereof;

FIG. 4 is a left side elevation view thereof;

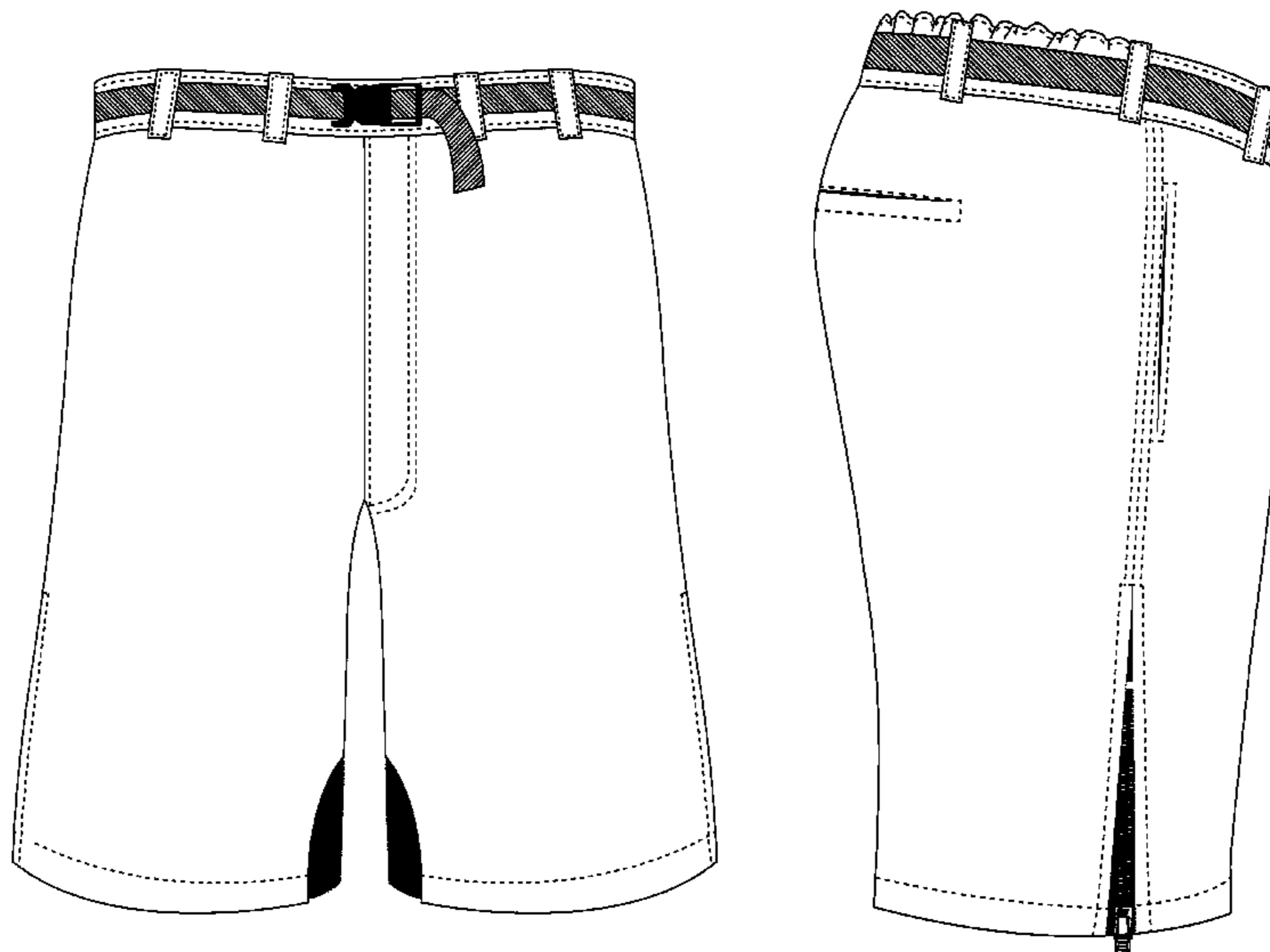
FIG. 5 is a first end view thereof;

FIG. 6 is a second end view thereof;

FIG. 7 is an alternate configuration of the new design for
roof safety shorts illustrating the expanding waistband with
belt; and,

FIG. 8 shows an embodiment thereof with an open pocket.
The broken lines are included for the purpose of illustrating
environment and form no part of the claimed design.

1 Claim, 8 Drawing Sheets



(56)

References Cited

U.S. PATENT DOCUMENTS

D546,029	S	*	7/2007	Rindle	D2/738
D582,632	S	*	12/2008	Pascuzzo	D2/712
D597,281	S	*	8/2009	Young	D2/738
D619,330	S	*	7/2010	Peters	D2/731
D638,608	S	*	5/2011	Gregory	D2/738
D654,666	S	*	2/2012	Helbing	D2/851
D661,464	S	*	6/2012	Wilson	D2/738
D673,347	S	*	1/2013	Sumpton	D2/738
D674,166	S	*	1/2013	Wilson	D2/738
D677,858	S	*	3/2013	Valles	D2/738
D685,980	S	*	7/2013	Wahl	D2/738
D690,079	S	*	9/2013	Grosbol	D2/738
D701,674	S	*	4/2014	Denning	D2/712
D711,070	S	*	8/2014	Lecigne	D2/712
D747,845	S	*	1/2016	Pasloski	D2/731
2005/0273907	A1	*	12/2005	Fontes	A41D 1/06 2/235
2006/0107443	A1	*	5/2006	DeRosa	A41D 1/08 2/228
2009/0320182	A1	*	12/2009	Schmalz	A41F 9/02 2/237
2009/0320184	A1	*	12/2009	Schaefer	A41B 9/02 2/405
2011/0314590	A1	*	12/2011	Perron	A41D 13/0017 2/227
2014/0041095	A1		2/2014	Cynn		

OTHER PUBLICATIONS

Gravel Gear Canvas Cargo Shorts—Regular Sizes, Announced Mar. 3, 2014, [Site Visited May 11, 2016] http://www.northerntool.com/shop/tools/product_200624341_200624341.*

* cited by examiner

FIG. 1

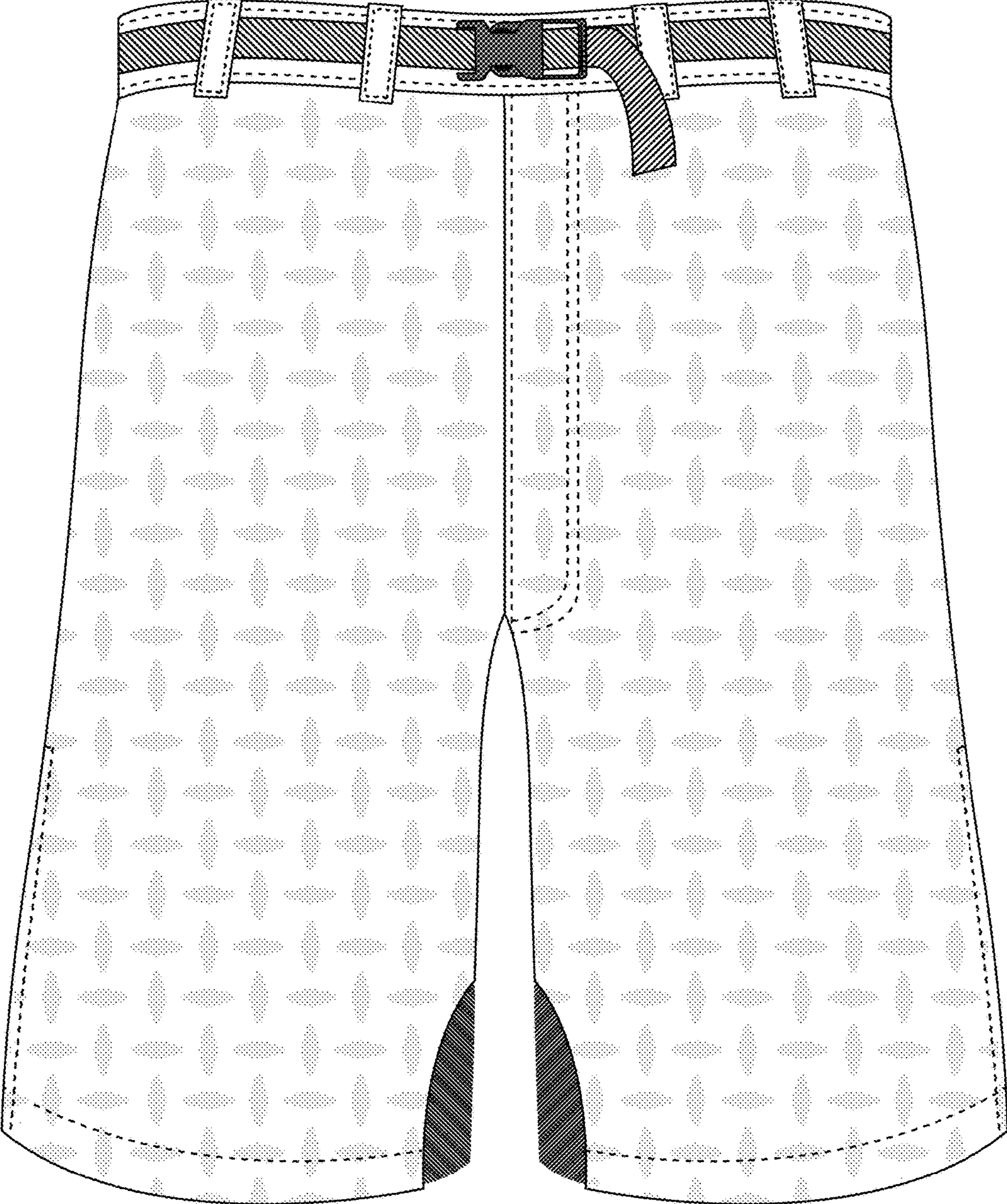


FIG. 2

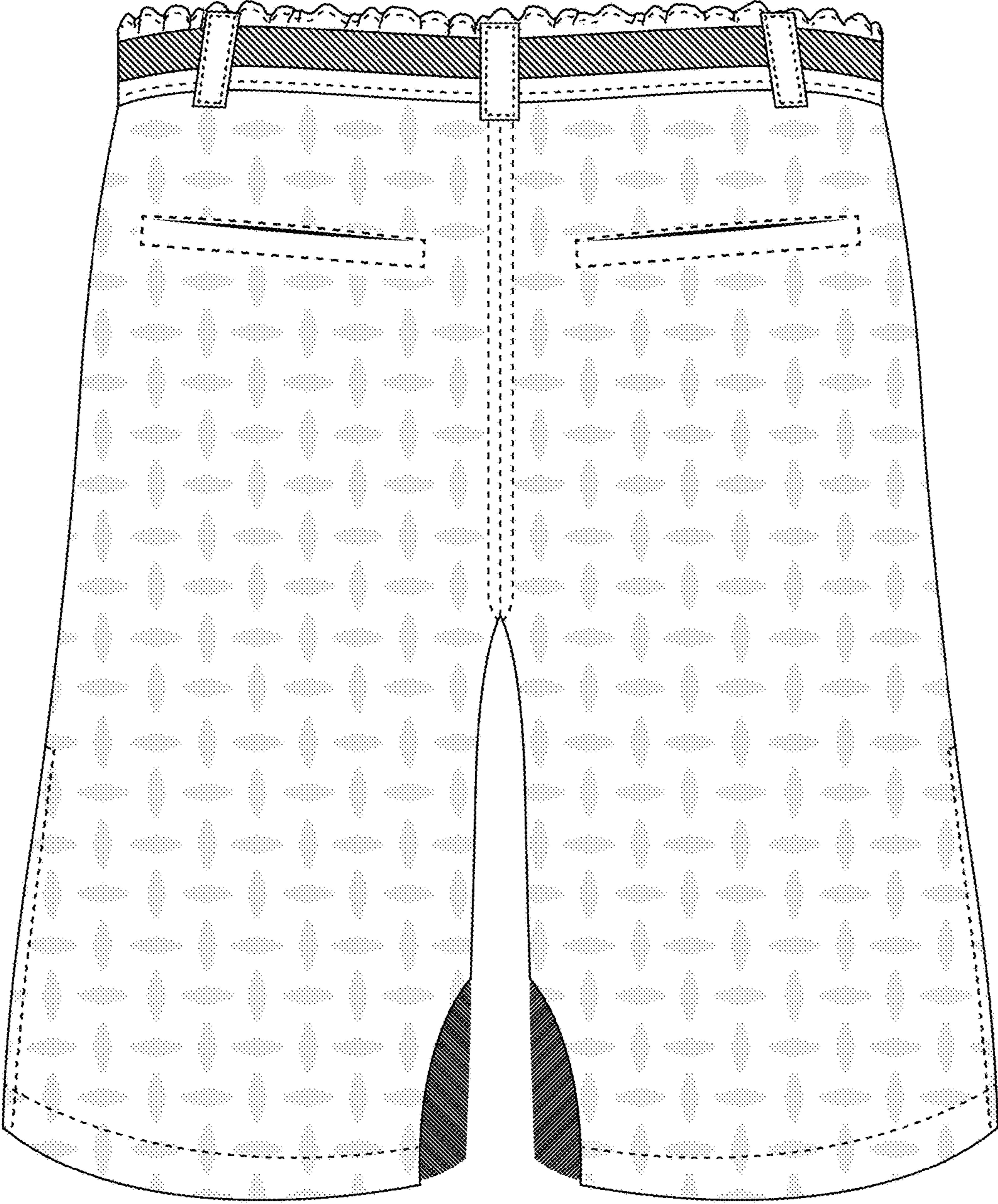


FIG. 3

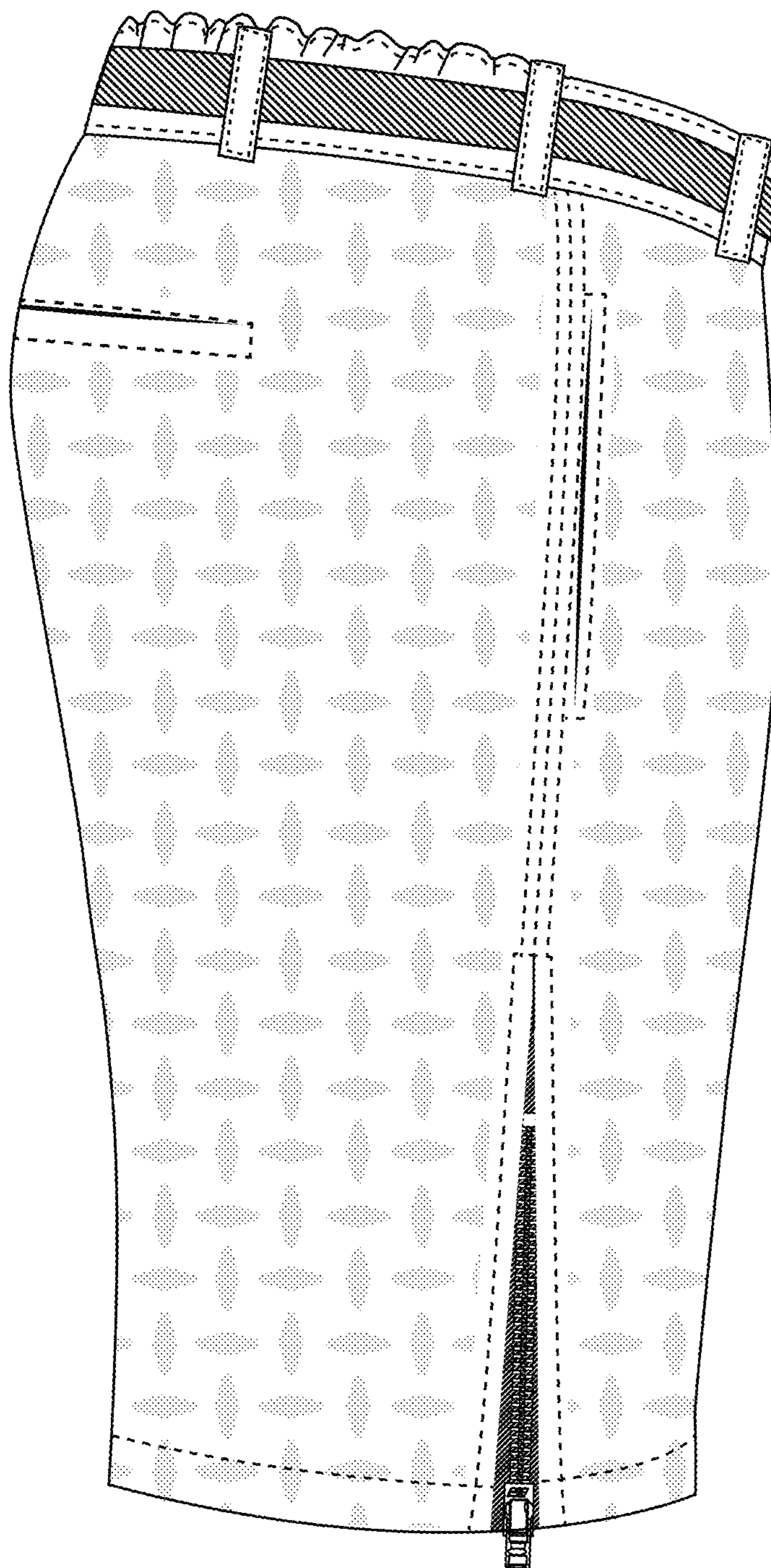


FIG. 4

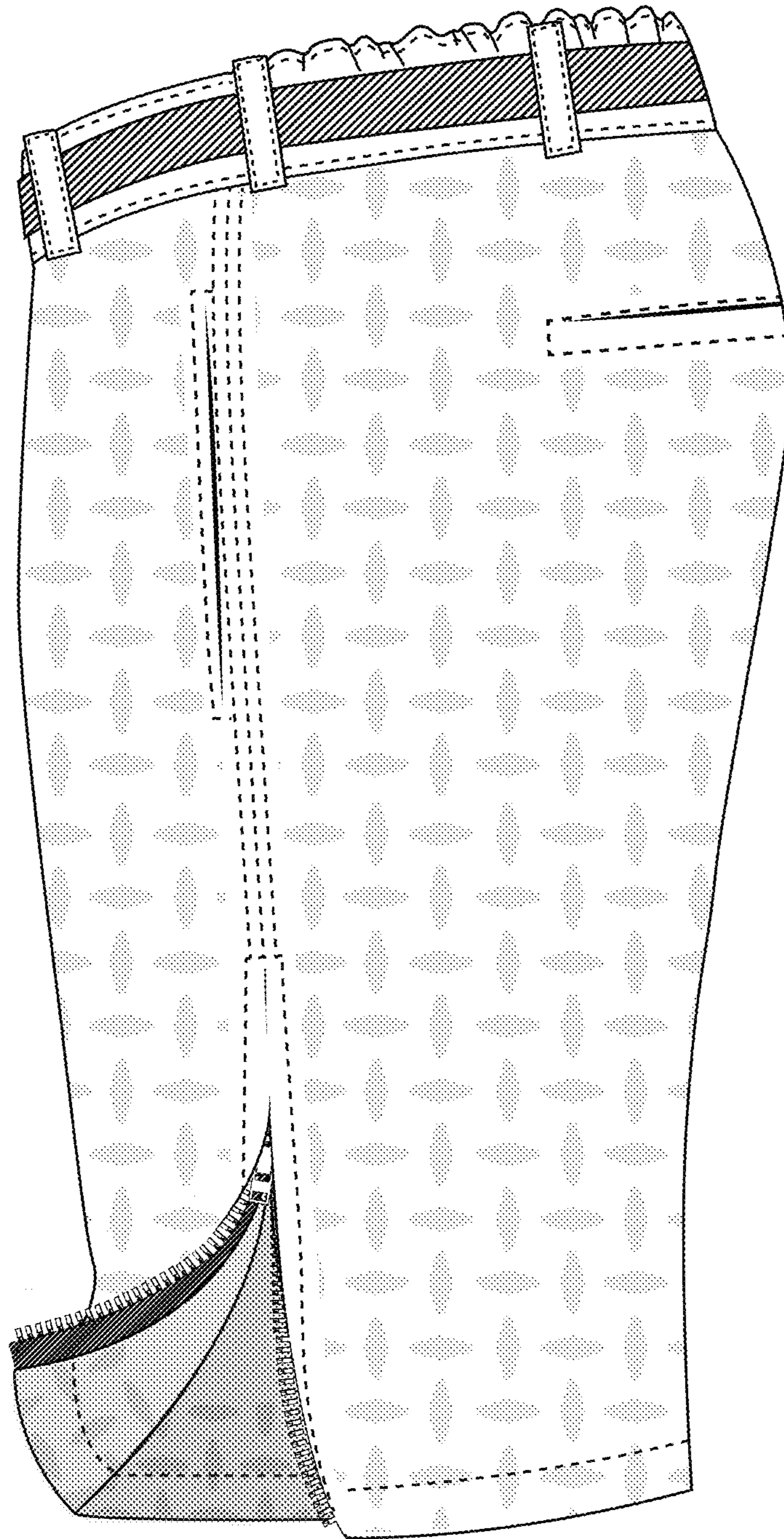


FIG. 5

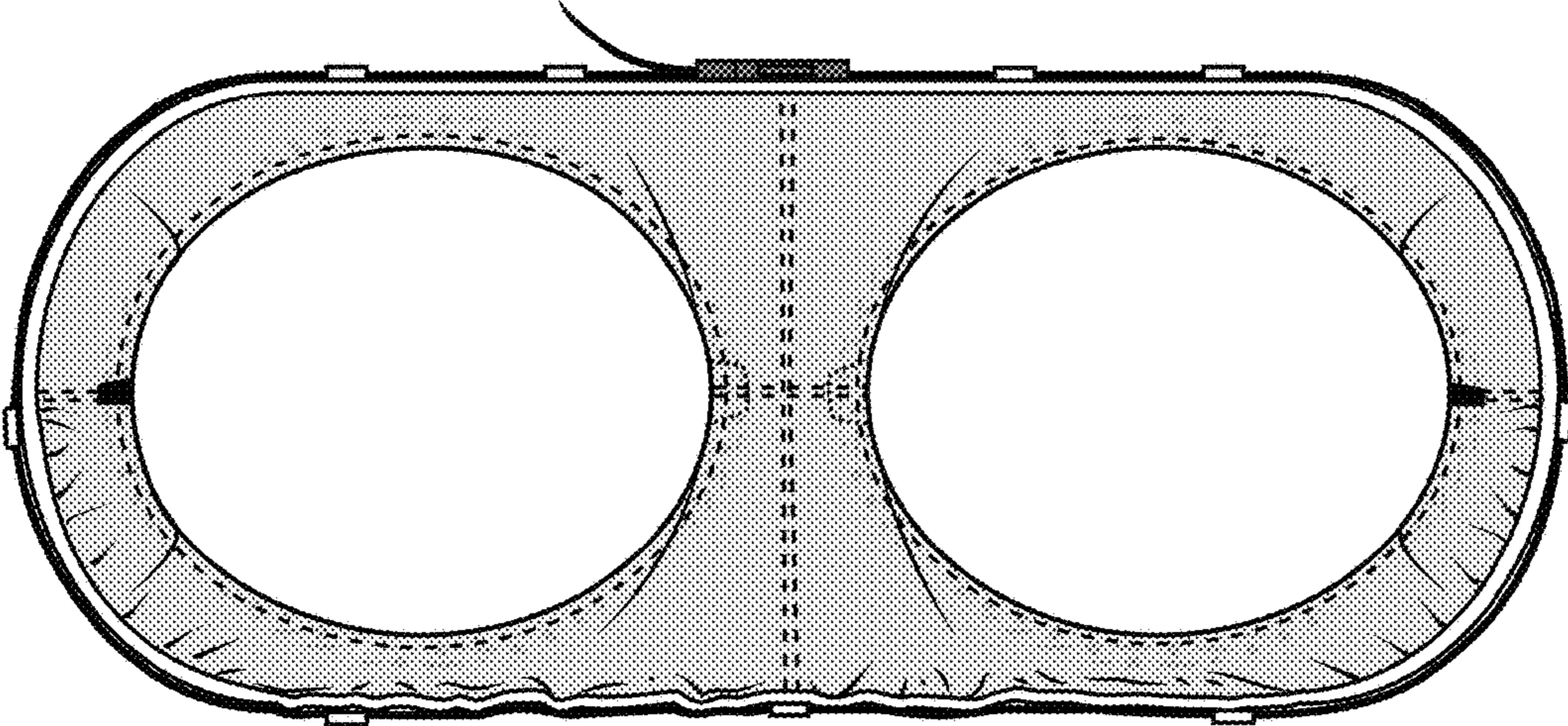


FIG. 6

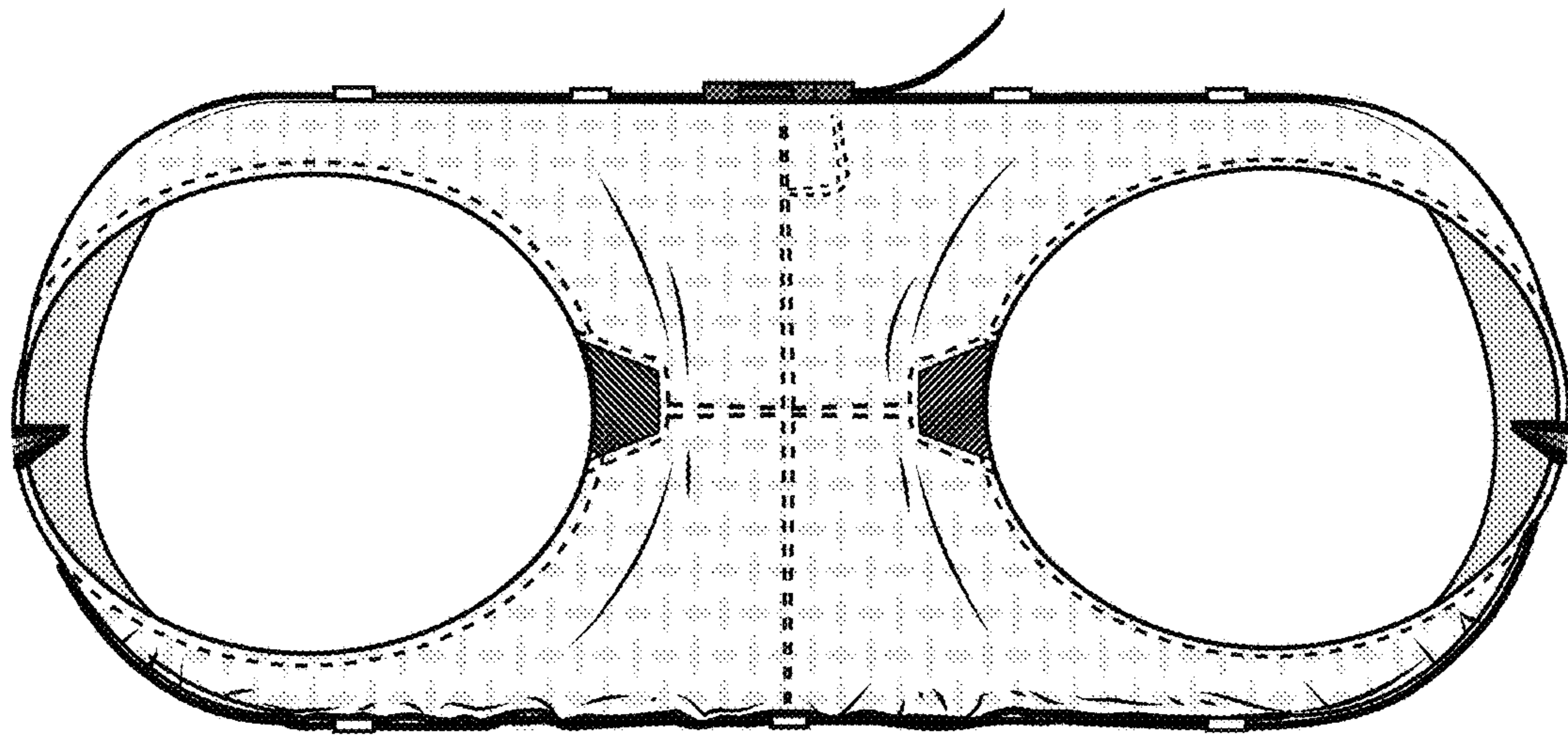


FIG. 7

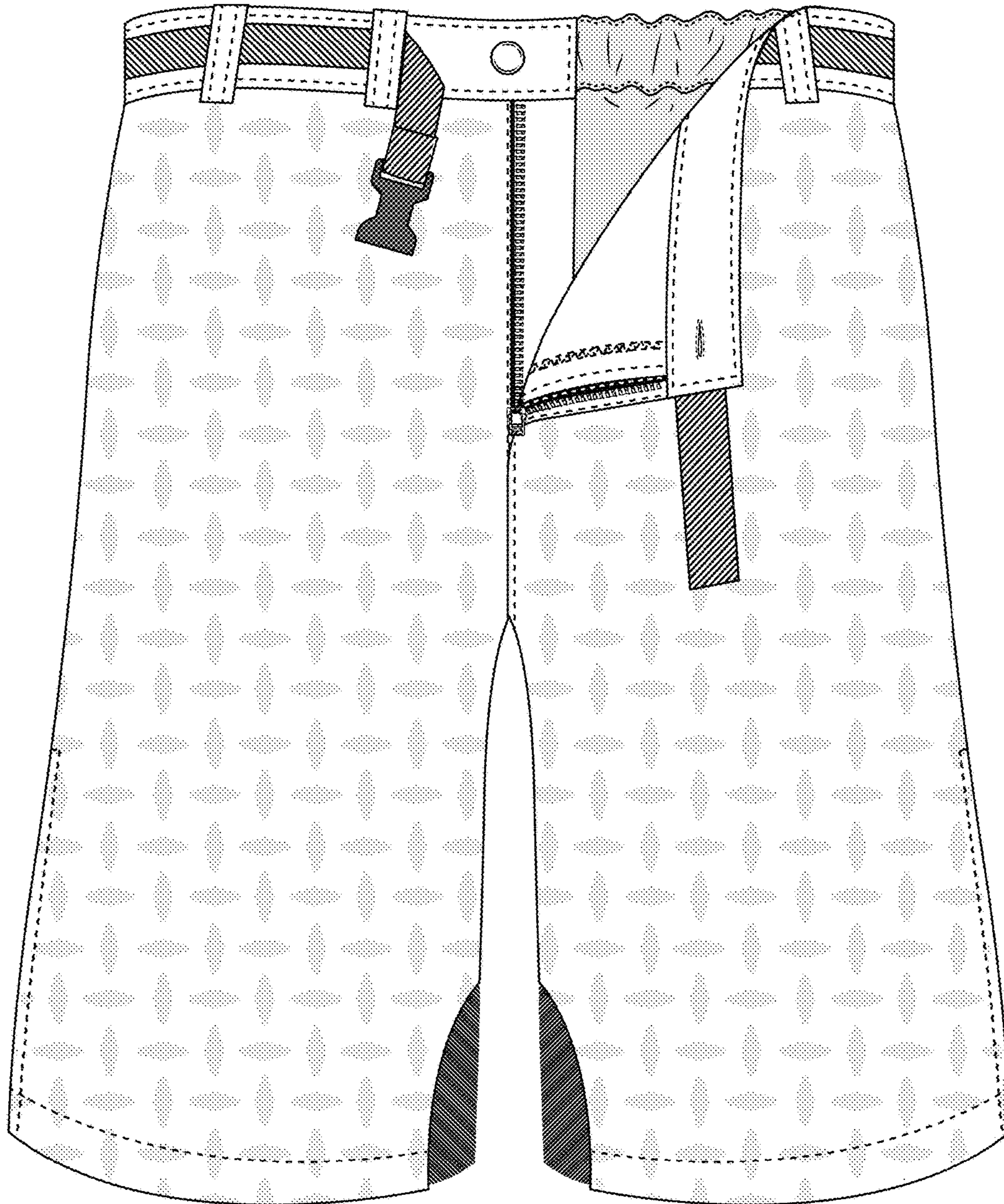


FIG. 8

