



US00D774276S

(12) **United States Design Patent** (10) **Patent No.:** **US D774,276 S**  
**Jaeger et al.** (45) **Date of Patent:** **\*\* \*Dec. 20, 2016**

(54) **GLOVE BACK**  
(71) Applicant: **Ironclad Performance Wear Corporation**, Farmers Branch, TX (US)  
(72) Inventors: **Eric Matthew Jaeger**, Southlake, TX (US); **Markham Nacion**, San Marcos, CA (US)  
(73) Assignee: **Ironclad Performance Wear Corp.**, Farmers Branch, TX (US)

5,898,942 A 5/1999 Anderson  
6,006,357 A 12/1999 Mead  
6,976,274 B1 12/2005 Dufresne  
7,100,212 B2 9/2006 Jaeger  
D532,957 S 12/2006 Hunter et al.  
D618,882 S \* 7/2010 Jaeger ..... D2/623  
D647,666 S \* 10/2011 Glenn ..... D29/117.2  
D704,380 S 5/2014 Kindler et al.  
D733,975 S 7/2015 Mathota  
D752,296 S \* 3/2016 Urbelis ..... D2/619  
(Continued)

(\* ) Notice: This patent is subject to a terminal disclaimer.  
(\*\*) Term: **15 Years**

FOREIGN PATENT DOCUMENTS  
CA 2632761 A1 11/2009  
EM EP003039031-0002 A1 \* 4/2016  
(Continued)

(21) Appl. No.: **29/546,160**  
(22) Filed: **Nov. 19, 2015**  
(51) **LOC (10) Cl.** ..... **02-06**  
(52) **U.S. Cl.**  
USPC ..... **D2/619**  
(58) **Field of Classification Search**  
USPC ..... D2/610, 612, 613, 614, 615, 616, 617, D2/618, 619, 620, 621, 622, 623; D21/807; D24/211; D28/63; D29/113, D29/114, 115, 116, 116.2, 117.1, 117.2, D29/123; D30/158; 2/159, 160, 161.1, 2/161.6, 163  
CPC .. A41D 19/00; A41D 19/002; A41D 19/0003; A41D 19/0006; A41D 19/0013; A41D 19/0017; A41D 19/0024; A41D 19/008; A63B 7/141; A63B 7/143; A63B 7/148  
See application file for complete search history.

OTHER PUBLICATIONS  
Industrial Impact Vibram Gloves, no date available, [online], [site visited Sep. 12, 2016]. Retrieved from <url: http://ironclad.com/vibram-gloves/>.\*  
File:Black\_circle.png—Wikimedia Commons, Jan. 1, 2016, [online], [site visited Aug. 30, 2016]. Retrieved from <url:https://commons.wikimedia.org/wiki/File:Black\_circle.png>.\*  
(Continued)

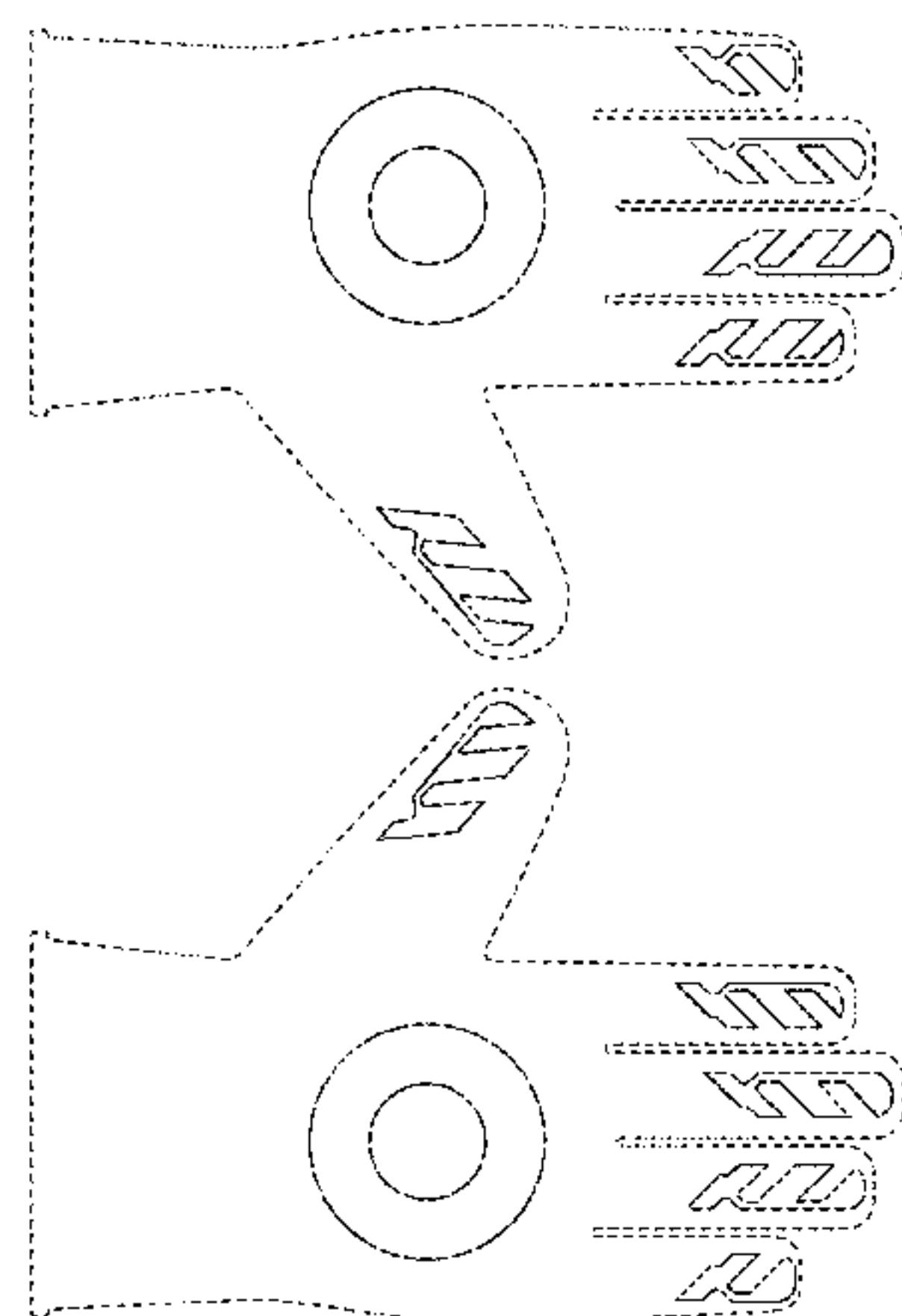
*Primary Examiner* — Jeffrey D Asch  
*Assistant Examiner* — Tracey J Bell  
(74) *Attorney, Agent, or Firm* — Amster, Rothstein & Ebenstein LLP

(57) **CLAIM**  
The ornamental design for a glove back, as shown and described.

(56) **References Cited**  
U.S. PATENT DOCUMENTS  
1,630,730 A 5/1927 Daugherty  
4,863,239 A \* 9/1989 Malone ..... A41D 19/01594  
2/160  
D369,309 S 4/1996 Marbach  
5,590,420 A \* 1/1997 Gunn ..... A41B 11/00  
2/239

**DESCRIPTION**  
The FIGURE is a top view of a glove back showing our new design.  
The portion(s) of the glove back shown in broken lines, which includes separate finger portions, are for environmental purposes only and do not form part of the claimed design.

**1 Claim, 1 Drawing Sheet**



(56)

**References Cited**

U.S. PATENT DOCUMENTS

2010/0077532 A1\* 4/2010 Kettani ..... A63B 71/146  
2/160  
2011/0310593 A1\* 12/2011 Lee ..... A41D 19/0157  
362/103  
2012/0159691 A1 6/2012 Phillippe et al.  
2015/0040289 A1\* 2/2015 Gaff ..... A63B 71/148  
2/161.1  
2015/0047096 A1\* 2/2015 Smith ..... A41D 19/0024  
2/160  
2016/0113064 A1\* 4/2016 Gluckman ..... A41D 19/0024  
219/211

FOREIGN PATENT DOCUMENTS

EM EP003039031-0003 A1 \* 4/2016  
EM EP003039031-0005 A1 \* 4/2016  
EP 2014185 A1 1/2009  
EP 2591688 A1 5/2015  
WO 2007068981 A2 6/2007  
WO 2015006835 A1 1/2015

OTHER PUBLICATIONS

Reflective Traffic Gloves With Stop Sign, <http://www.emergencyresponderproducts.com/24retrgl.html>.  
Reflective Gloves, <http://www.atlantictactical.com/product/hatch-daynite-reflective-gloves#,Vd9j5hRVikp>.  
Hi-Vis Lined Grain Pigskin Industrial With Knit Wrist, <http://www.kinco.com/product/1938kwa/>.

\* cited by examiner

