



US00D774267S

(12) **United States Design Patent**
Dobson, III

(10) **Patent No.:** **US D774,267 S**

(45) **Date of Patent:** **** Dec. 13, 2016**

(54) **BROOM HOUSING ASSEMBLY**
(71) Applicant: **Eben W. Dobson, III**, Solana Beach,
CA (US)

2,262,334 A * 11/1941 Rugaard A47L 13/56
15/231
2,452,177 A * 10/1948 Bodimer A47L 13/24
15/147.1
2,648,860 A * 8/1953 Le Febvre A46D 7/00
15/171

(72) Inventor: **Eben W. Dobson, III**, Solana Beach,
CA (US)

(Continued)

(73) Assignee: **WISP Industries, Inc.**, San Marcos,
CA (US)

FOREIGN PATENT DOCUMENTS

CN 3638666 * 5/2007
CN 301313357 * 8/2010
GB 2069457 * 1/1998

(**) Term: **14 Years**

(21) Appl. No.: **29/488,088**

OTHER PUBLICATIONS

Product: low price broom with telescoping handle sup-
plierpedia101.net, website copyright 2016, online, <http://supplierpedia101.net/item/low-price-broom-with-telescoping-handle.html>, [site visited Mar. 1, 2016 10:40:27 PM].*

(22) Filed: **Apr. 15, 2014**

(51) **LOC (10) Cl.** **04-01**

(52) **U.S. Cl.**
USPC **D32/50**

(58) **Field of Classification Search**
USPC D32/35, 40, 49-53, 71-72; D8/107,
D8/81-83; D7/393, 648
CPC A47L 13/12; A47L 13/16; A47L 13/20;
A47L 13/24; A47L 13/144; A47L 13/146;
B24D 13/045; B25B 23/16
See application file for complete search history.

(Continued)

Primary Examiner — John Windmuller
Assistant Examiner — John R Yeh
(74) *Attorney, Agent, or Firm* — San Diego IP Law
Group LLP; Trevor Coddington

(57) **CLAIM**

I claim the ornamental design for a broom housing assembly,
as shown and described.

(56) **References Cited**

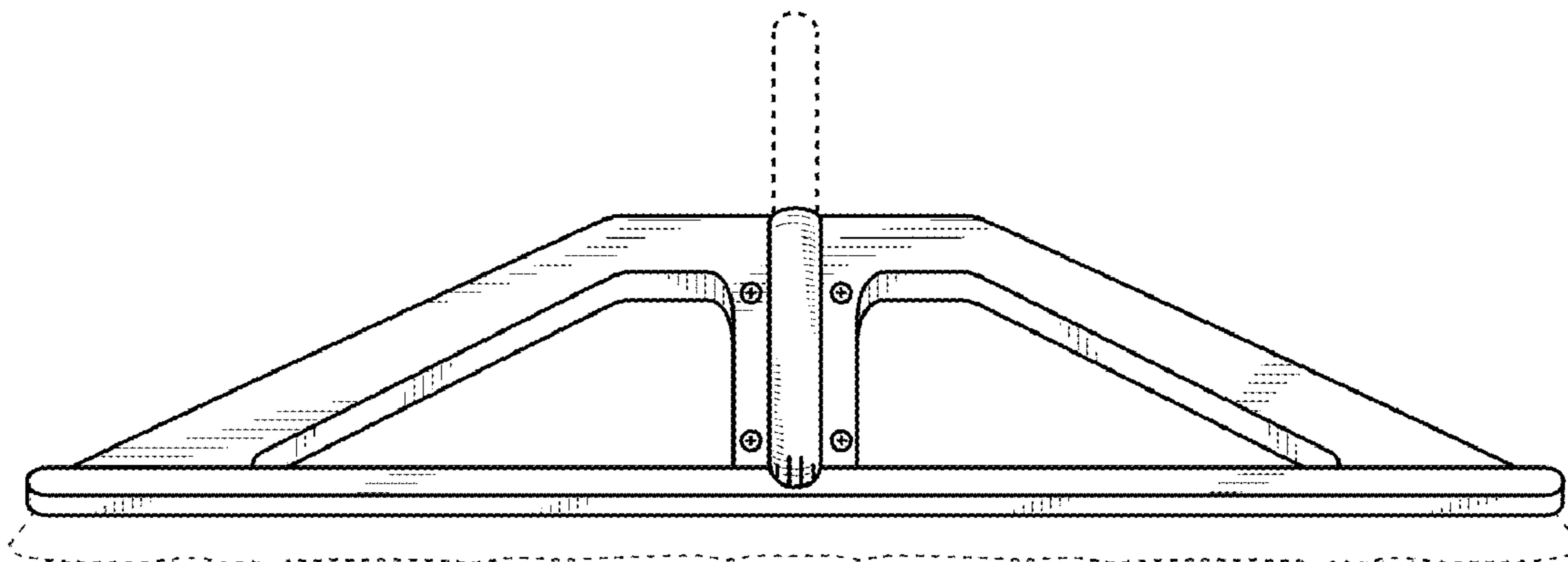
DESCRIPTION

U.S. PATENT DOCUMENTS

776,981 A * 12/1904 Amsden A47L 13/144
15/119.1
948,641 A * 2/1910 Bailey A47L 1/06
15/245
952,301 A * 3/1910 Brakeman A47L 13/24
15/153
1,475,479 A * 11/1923 Feth A47L 13/24
15/153
2,090,412 A * 8/1937 Geiger B25G 1/06
15/111

FIG. 1 is a perspective view of a brooming housing assembly;
FIG. 2 is a front view thereof;
FIG. 3 is a rear view thereof;
FIG. 4 is a side view thereof;
FIG. 5 is an opposite side view thereof;
FIG. 6 is a top plan view thereof; and,
FIG. 7 is a bottom view thereof.
The broken lines in the figures represent environment of the
device and forms no part of the claimed design.

1 Claim, 4 Drawing Sheets



(56)

References Cited

U.S. PATENT DOCUMENTS

2,922,179 A * 1/1960 Lundgren B25G 3/12
15/146
3,398,420 A * 8/1968 Manning A47L 13/252
15/150
4,287,632 A * 9/1981 Hammond A47L 13/252
15/150
4,422,203 A * 12/1983 Zenker A47L 13/258
15/150
4,553,282 A * 11/1985 Batchelor A47L 13/24
15/150
D383,268 S * 9/1997 Uranga D32/50
6,134,739 A * 10/2000 Gonzalez B25G 3/24
15/175
7,748,074 B2 * 7/2010 Guizzi A47L 1/06
15/152
D633,674 S * 3/2011 Franklin D32/40
D685,547 S * 7/2013 Vasilakes D32/40
2002/0124341 A1 * 9/2002 Cesak A46B 7/04
15/175
2004/0163194 A1 * 8/2004 Wang A47L 13/258
15/117
2007/0266510 A1 * 11/2007 Weaver A46B 15/0055
15/117
2009/0183326 A1 * 7/2009 Sorgente A47L 13/12
15/118

OTHER PUBLICATIONS

Product: PVA mop /easy mop with telescopic handle—supplierpedia101.net, website copyright 2016, online, <http://supplierpedia101.net/item/pva-mop-easy-mop-with-telescopic-handle.html>, site visited [Mar. 1, 2016 10:41:31 PM].*

Amazon.com—Libman 24" Multi-Surface Heavy Duty Push Broom, online, review date Jan. 31, 2013, http://www.amazon.com/Libman-Multi-Surface-Heavy-Duty-Broom/dp/B001JQHVB0/ref=cm_cr_ar_p_d_product_top?ie=UTF8, site visited Mar. 1, 2016.*

Amazon.com—O-Cedar Power Corner Large Angle Broom—O Cedar Broom, online, review date Apr. 7, 2014, http://www.amazon.com/O-Cedar-Power-Corner-Large-Angle/dp/B004TR6H9I/ref=sr_1_11_s_it?s=hpc&ie=UTF8&qid=1456890468&sr=1-11, site visited Mar. 1, 2016.*

Amazon.com—WISP, Best Broom for Hardwood Floors 90 Degree Angled Broom & Dust Pan, online, review date 2015, http://www.amazon.com/WISP-Hardwood-Bristle-Technology-Telescoping/dp/B017ACNP98/ref=cm_cr_ar_p_d_product_top?ie=UTF8, site visited Mar. 8, 2016.*

* cited by examiner

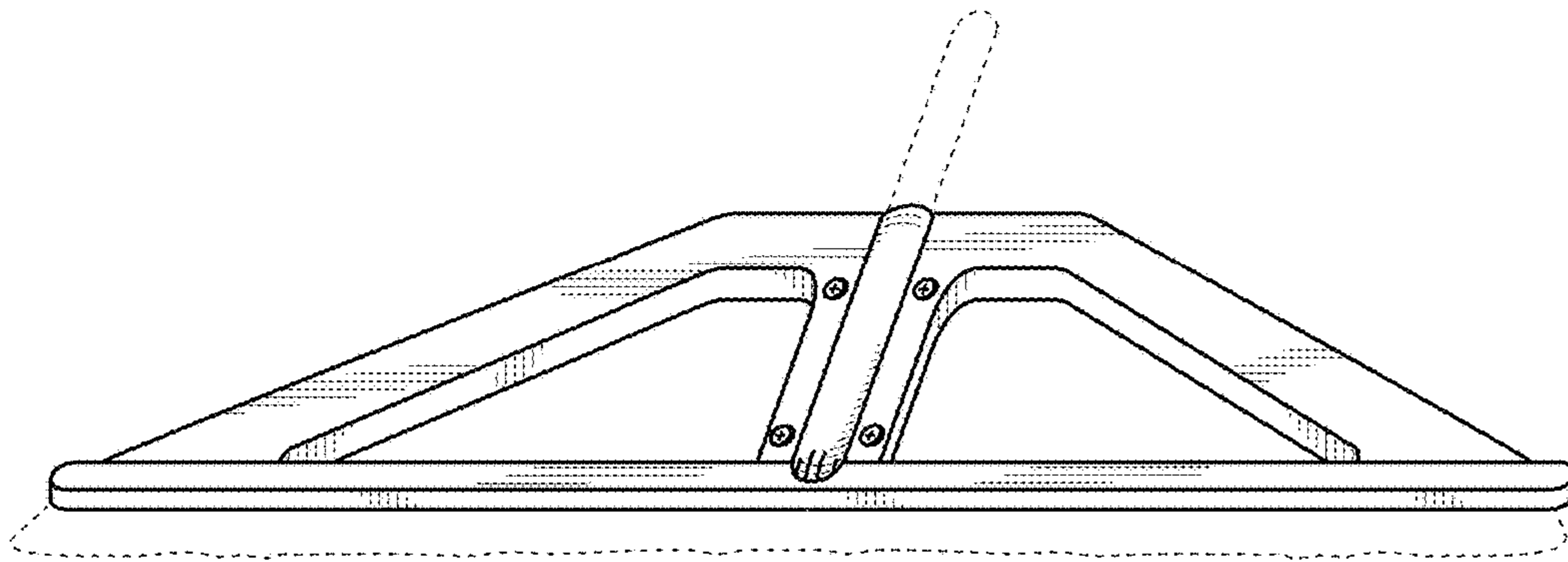


FIG. 1

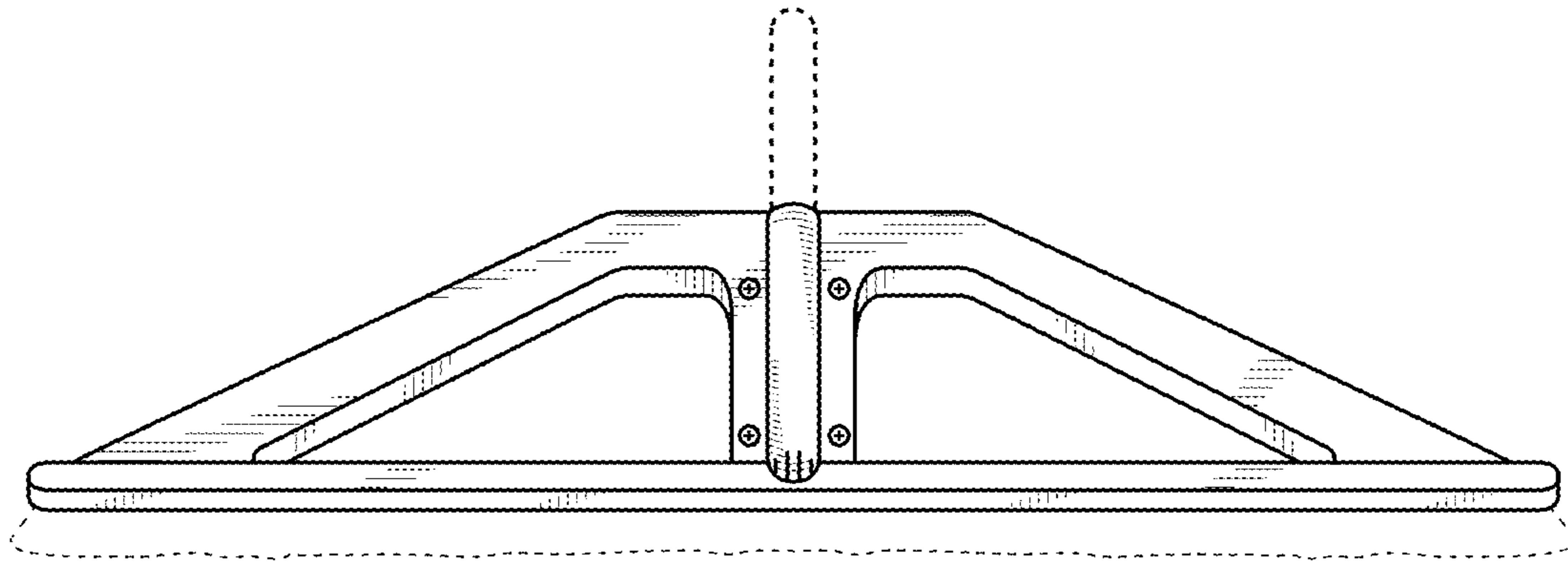


FIG. 2

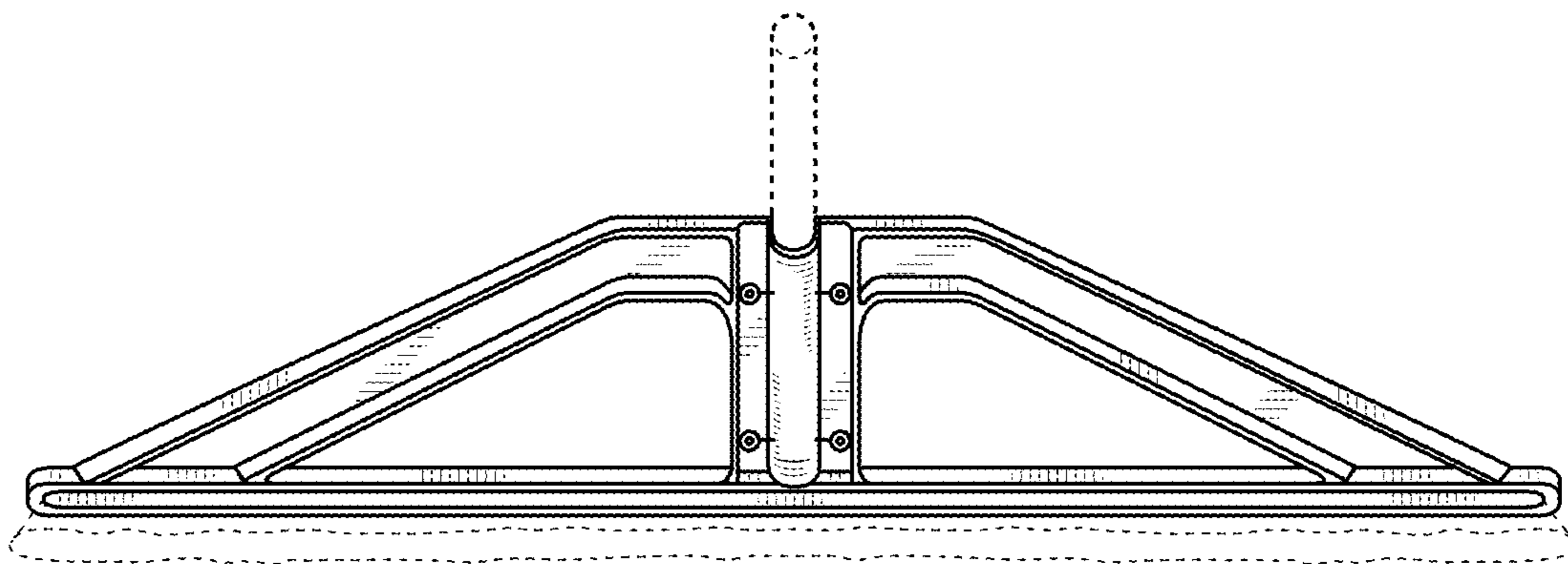


FIG. 3

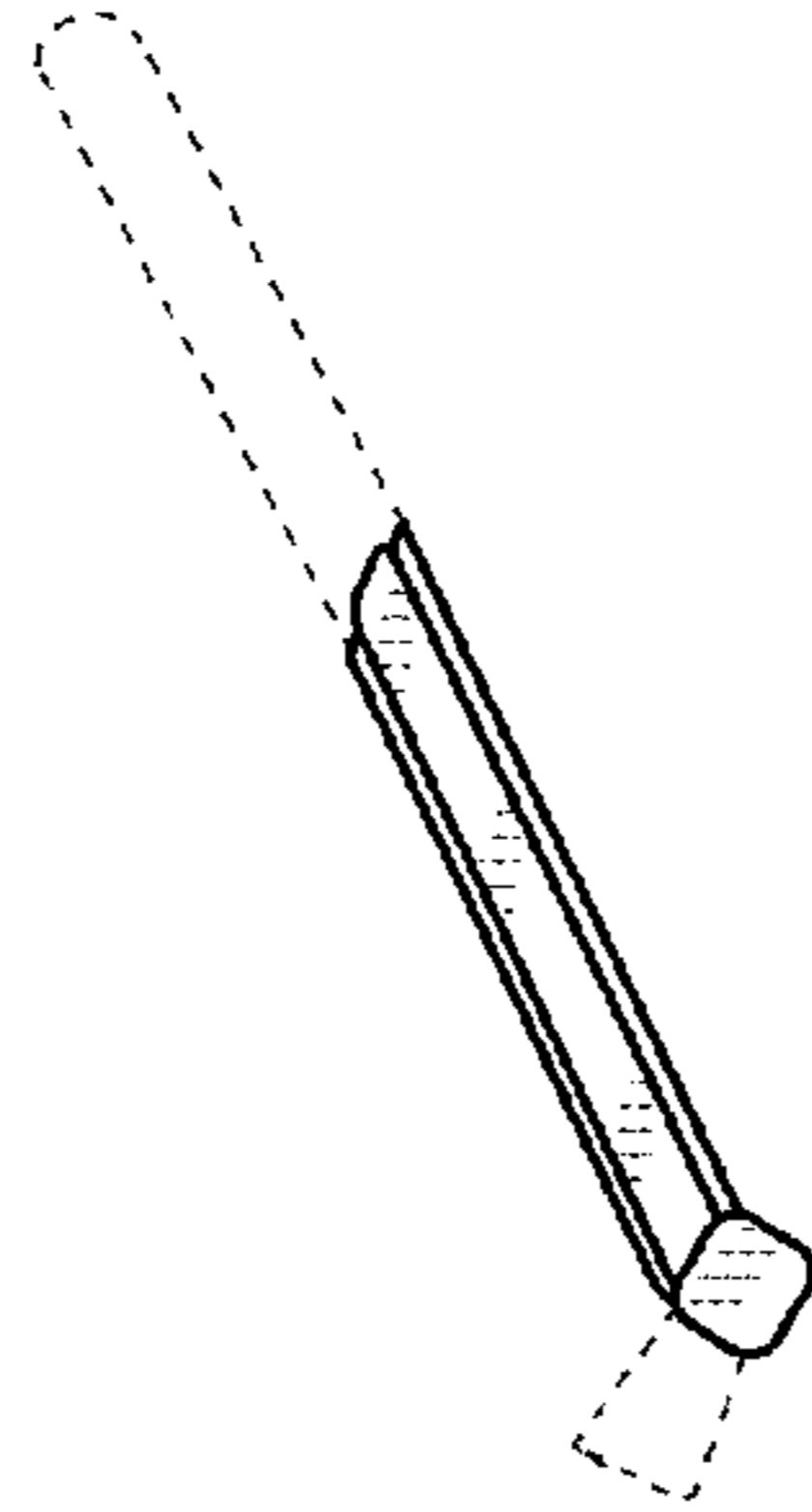


FIG. 4

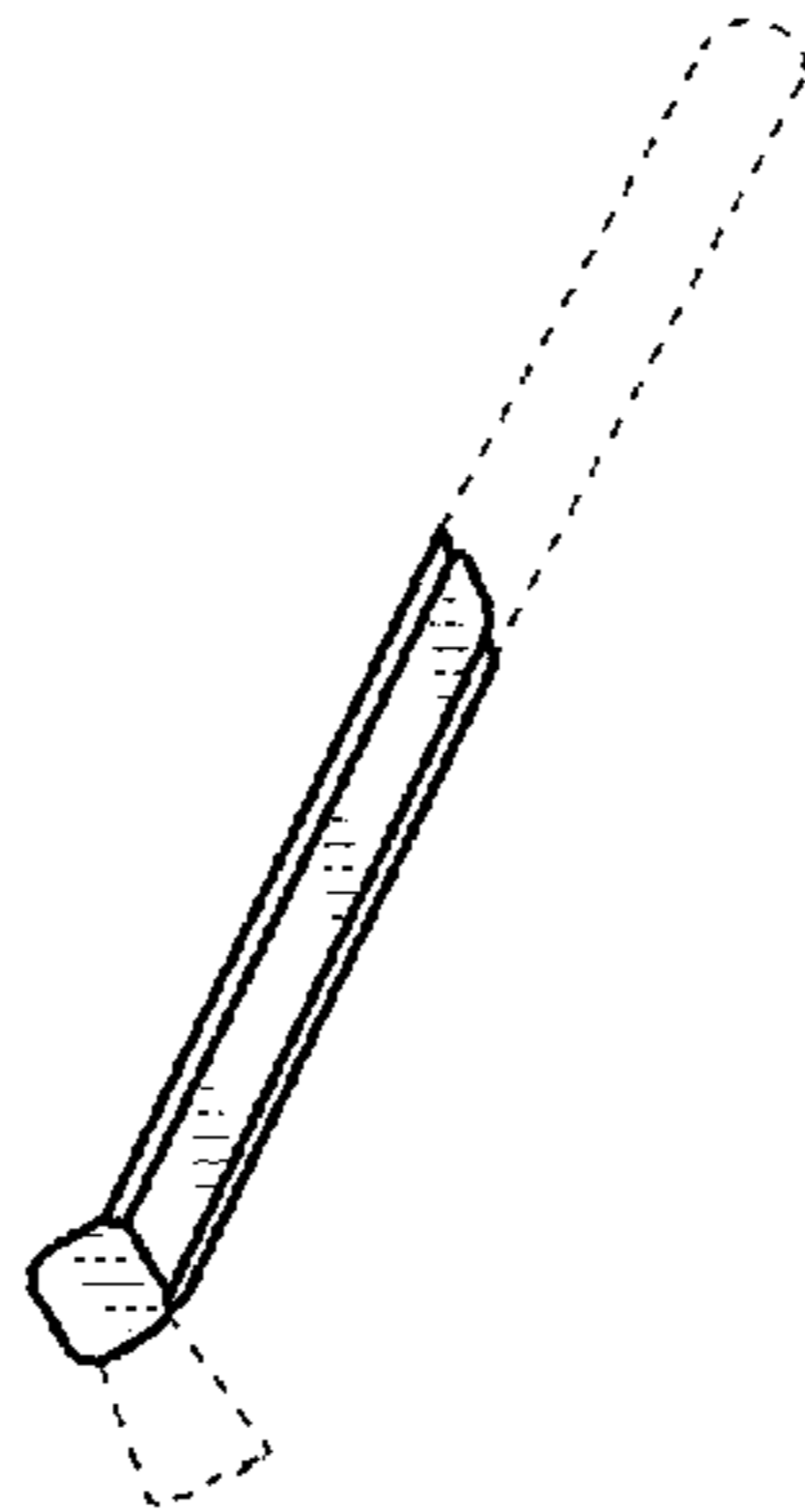


FIG. 5

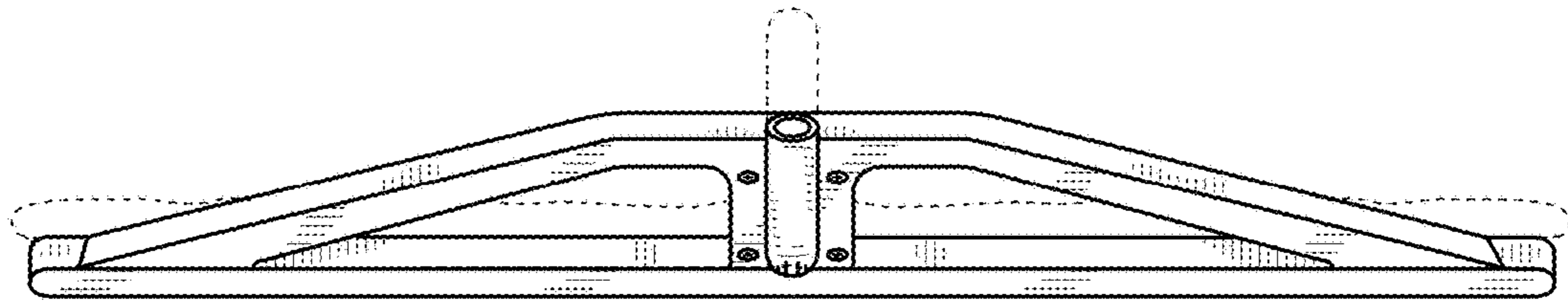


FIG. 6

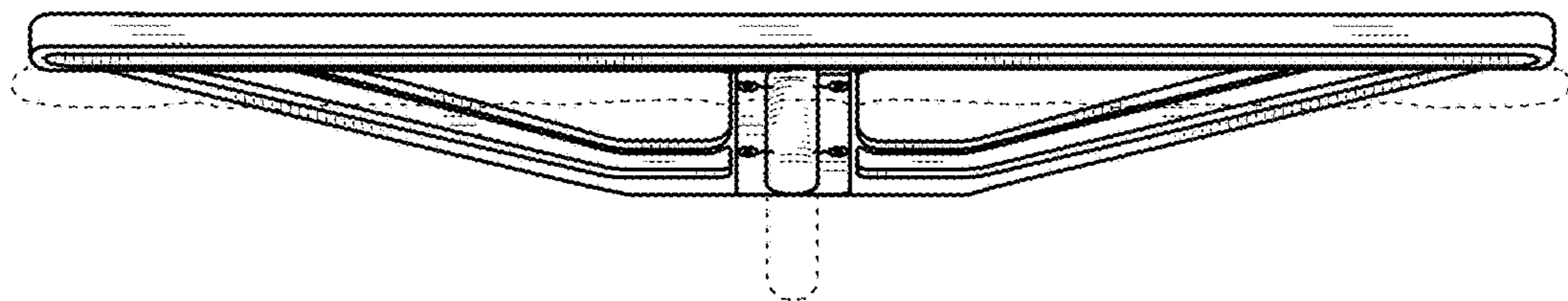


FIG. 7