



US00D774263S

(12) **United States Design Patent** (10) **Patent No.:** **US D774,263 S**  
**Reichel et al.** (45) **Date of Patent:** **\*\* \*Dec. 13, 2016**

- (54) **FLOOR CLEANING ROLLER CORE**
- (71) Applicant: **iRobot Corporation**, Bedford, MA (US)
- (72) Inventors: **Andrew Scott Reichel**, Watertown, MA (US); **Gao Ke Ting**, Futian District (CN); **Matthew Blouin**, Townsend, MA (US)
- (73) Assignee: **iRobot Corporation**, Bedford, MA (US)
- (\*) Notice: This patent is subject to a terminal disclaimer.
- (\*\*) Term: **14 Years**
- (21) Appl. No.: **29/519,200**
- (22) Filed: **Mar. 3, 2015**
- (51) **LOC (10) Cl.** ..... **15-05**
- (52) **U.S. Cl.**  
USPC ..... **D32/31**
- (58) **Field of Classification Search**  
USPC ..... D32/21, 25, 31  
CPC .... A47L 5/30; A47L 11/4038; A47L 11/4041; A47L 9/0477; A47L 9/0416; A47L 9/0422; A47L 9/2842  
See application file for complete search history.

6,781,338 B2	8/2004	Jones et al.	
6,809,490 B2	10/2004	Jones et al.	
6,965,209 B2	11/2005	Jones et al.	
D518,258 S *	3/2006	Hamm	D32/31
7,155,308 B2	12/2006	Jones	
7,173,391 B2	2/2007	Jones et al.	
7,196,487 B2	3/2007	Jones et al.	
7,388,343 B2	6/2008	Jones et al.	
7,389,156 B2	6/2008	Ziegler et al.	
7,448,113 B2	11/2008	Jones et al.	
7,571,511 B2	8/2009	Jones et al.	
7,636,982 B2	12/2009	Jones et al.	
7,761,954 B2	7/2010	Ziegler et al.	

(Continued)

- (56) **References Cited**  
U.S. PATENT DOCUMENTS  
D125,786 S \* 3/1941 Schaad ..... 15/182  
D222,702 S \* 12/1971 Schaefer et al. .... D32/31  
D431,698 S \* 10/2000 Hoshide ..... D32/31  
6,389,329 B1 5/2002 Colens  
D471,332 S \* 3/2003 Haegermarck ..... D32/31  
6,532,404 B2 3/2003 Colens  
6,594,844 B2 7/2003 Jones  
D478,698 S \* 8/2003 Mertes ..... D32/31  
6,690,134 B1 2/2004 Jones et al.

**OTHER PUBLICATIONS**

U.S. Appl. No. 29/520,401, filed Mar. 13, 2015, Vacuum Roller.  
*Primary Examiner* — Ruth McInroy  
(74) *Attorney, Agent, or Firm* — Fish & Richardson P.C.

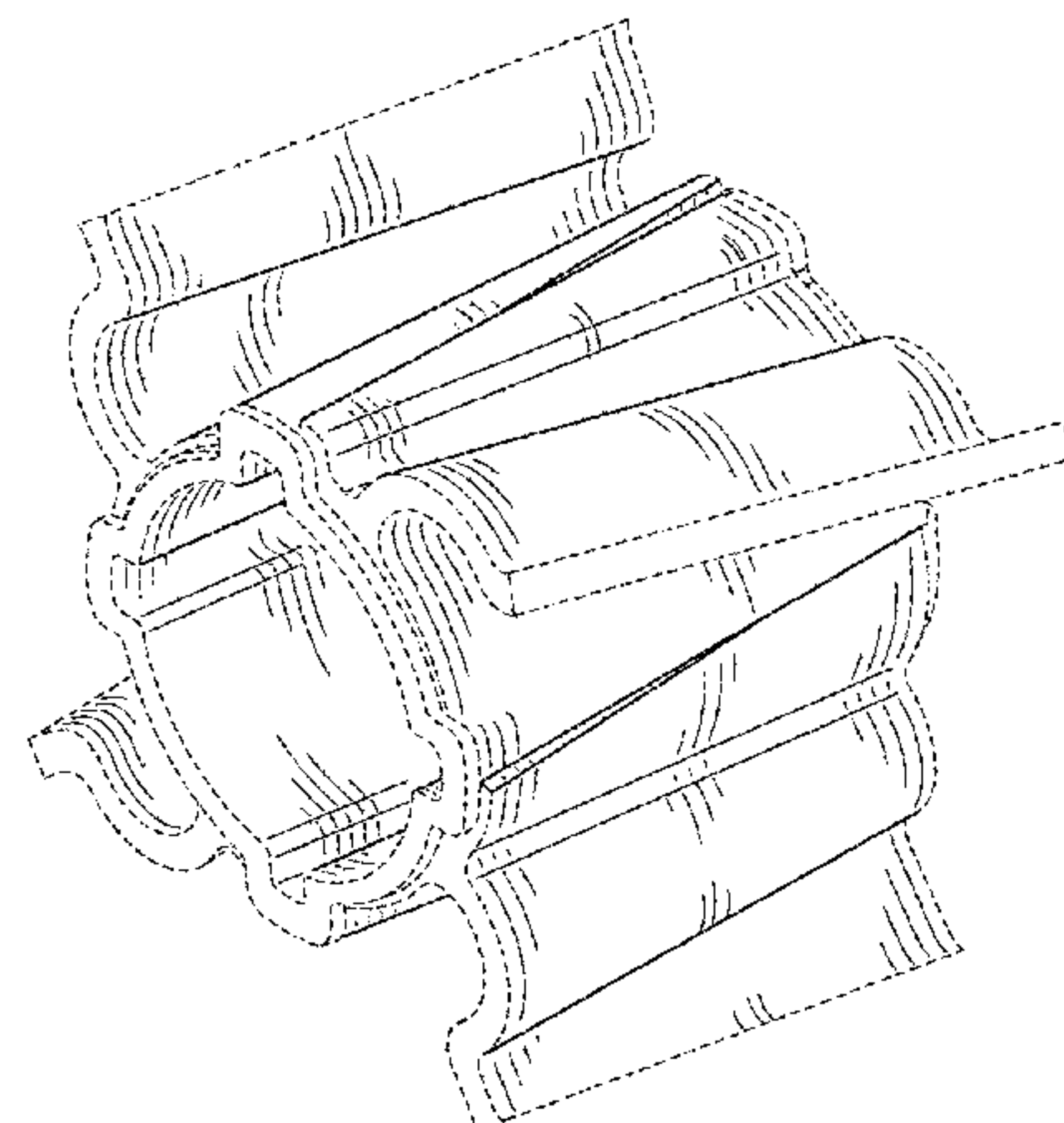
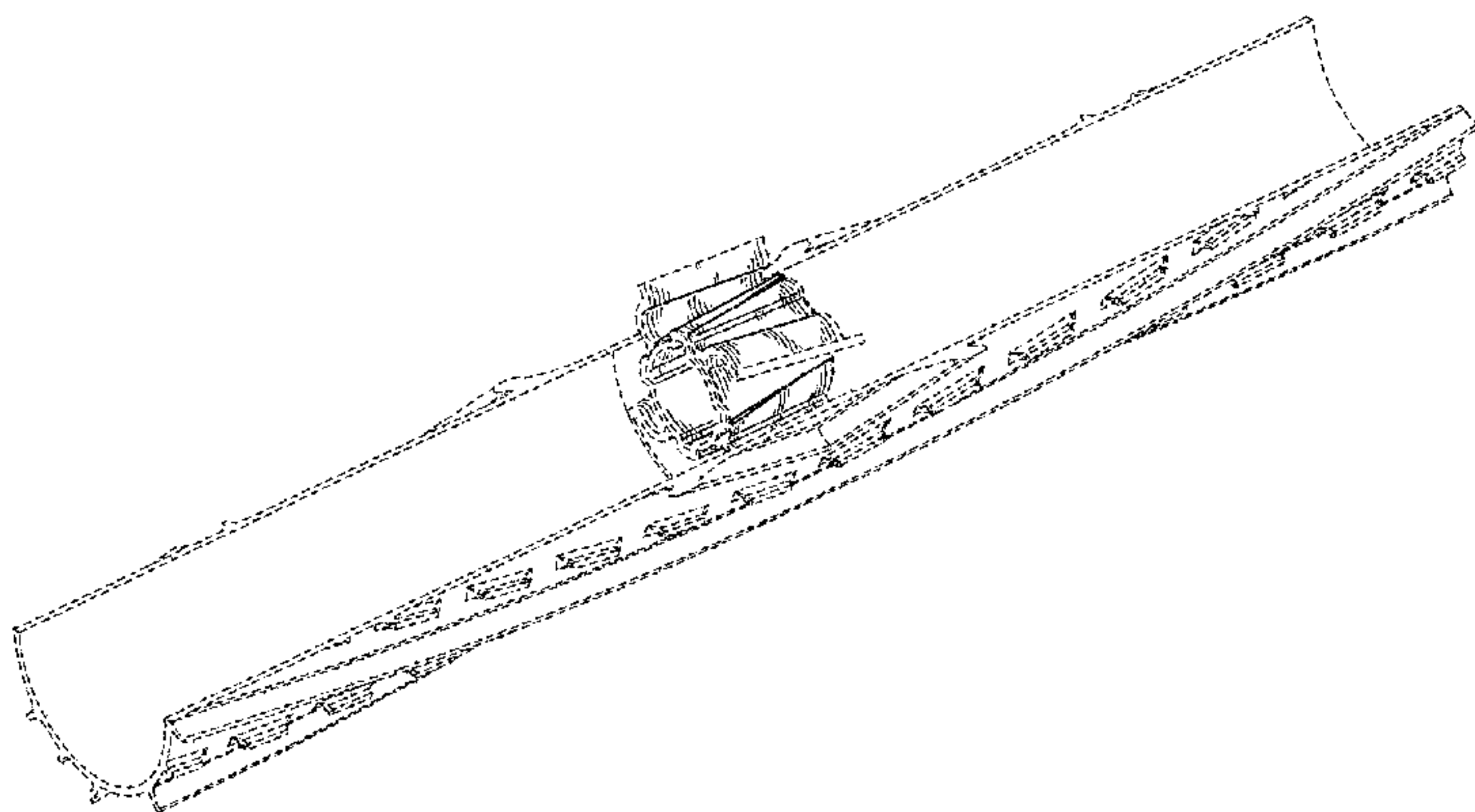
(57) **CLAIM**

The ornamental design for a floor cleaning roller core, as shown and described.

**DESCRIPTION**

FIG. 1 is a perspective view of a floor cleaning roller core showing our new design, with the roller tube cut away to show our core design;  
FIG. 2 is an enlarged perspective view of the core in FIG. 1 (with the roller tube removed);  
FIG. 3 is a front view thereof;  
FIG. 4 is a cross-sectional view taken along line 4-4 in FIG. 3;  
FIG. 5 is a cross-sectional view taken along line 5-5 in FIG. 3;  
FIG. 6 is an enlarged right end view thereof; and,  
FIG. 7 is an enlarged left end view thereof.  
The broken lines illustrate environmental features that form no part of the claimed design.

**1 Claim, 7 Drawing Sheets**



(56)

**References Cited**

## U.S. PATENT DOCUMENTS

8,239,992	B2	8/2012	Schnittman et al.	
8,347,444	B2	1/2013	Schnittman et al.	
8,370,985	B2	2/2013	Schnittman et al.	
D680,287	S *	4/2013	Morgan .....	D32/31
D680,289	S *	4/2013	Gray .....	D32/31
D681,291	S *	4/2013	Morgan .....	D32/31
D699,010	S *	2/2014	Gilbert, Jr. ....	D32/31
8,839,477	B2	9/2014	Schnittman et al.	
D716,510	S *	10/2014	Gilbert, Jr. ....	D32/31
8,881,339	B2	11/2014	Gilbert et al.	
8,955,192	B2	2/2015	Gilbert et al.	
D728,877	S *	5/2015	Therrien .....	D32/31
D747,052	S *	1/2016	Therrien .....	D32/31
2002/0016649	A1	2/2002	Jones	
2002/0120364	A1	8/2002	Colens	
2003/0025472	A1	2/2003	Jones et al.	
2004/0020000	A1	2/2004	Jones	
2004/0049877	A1	3/2004	Jones et al.	
2004/0187457	A1	9/2004	Colens	
2004/0207355	A1	10/2004	Jones et al.	
2005/0067994	A1	3/2005	Jones et al.	
2005/0204717	A1	9/2005	Colens	
2007/0266508	A1	11/2007	Jones et al.	
2008/0140255	A1	6/2008	Ziegler et al.	
2008/0155768	A1	7/2008	Ziegler et al.	
2008/0307590	A1	12/2008	Jones et al.	
2010/0049365	A1	2/2010	Jones et al.	
2010/0257690	A1	10/2010	Jones et al.	
2010/0257691	A1	10/2010	Jones et al.	
2010/0263158	A1	10/2010	Jones et al.	

\* cited by examiner

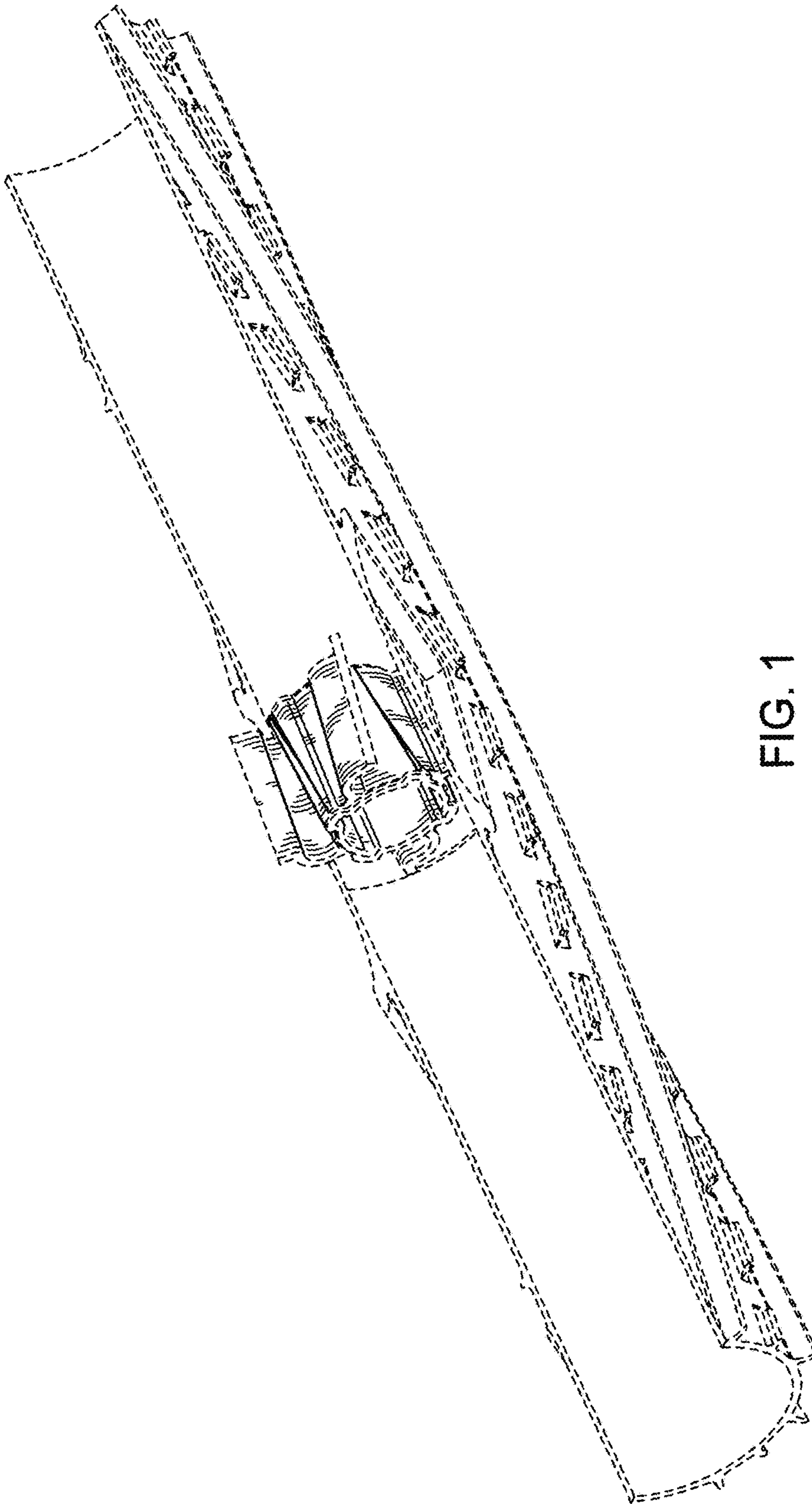


FIG. 1



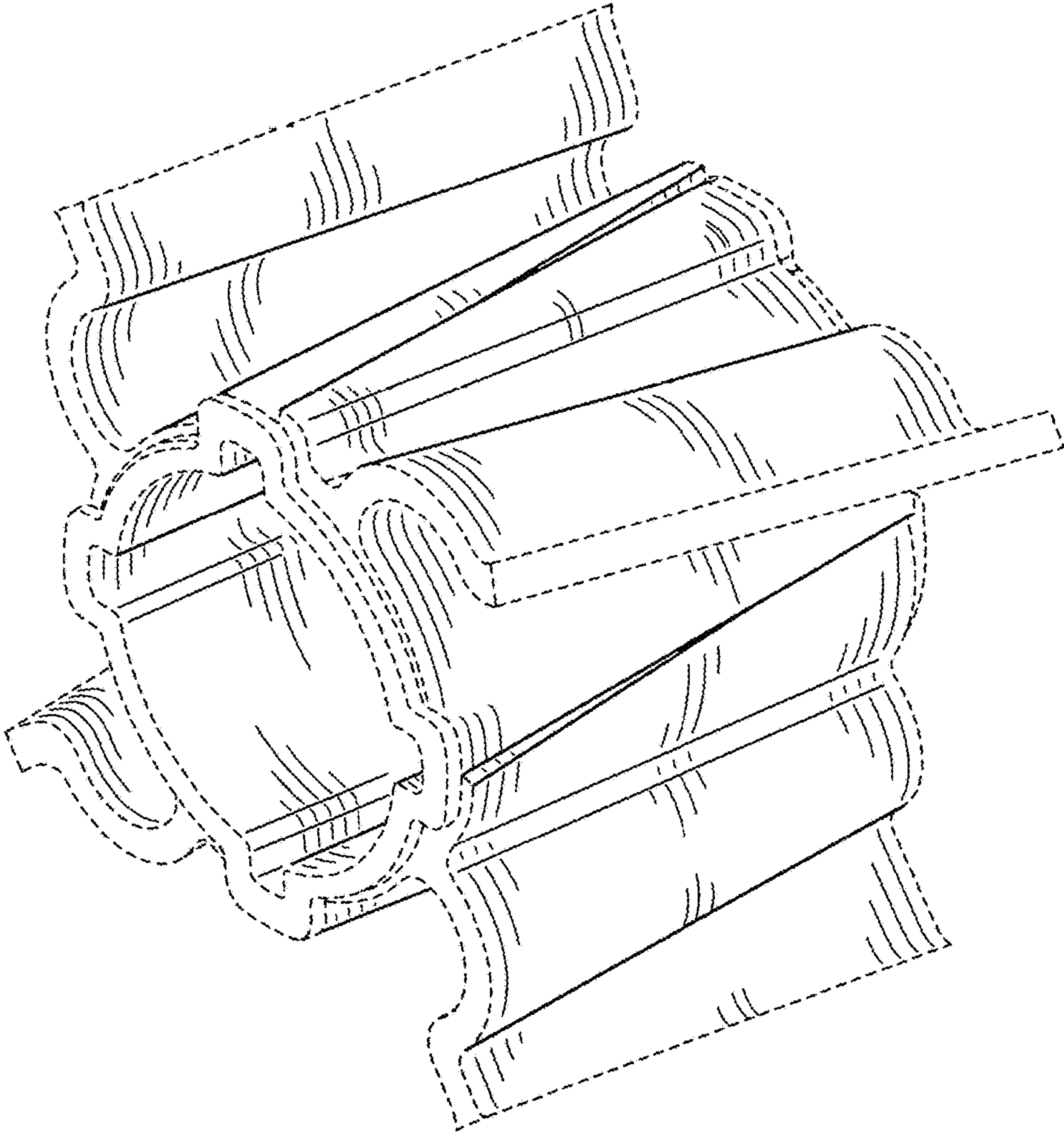


FIG. 2

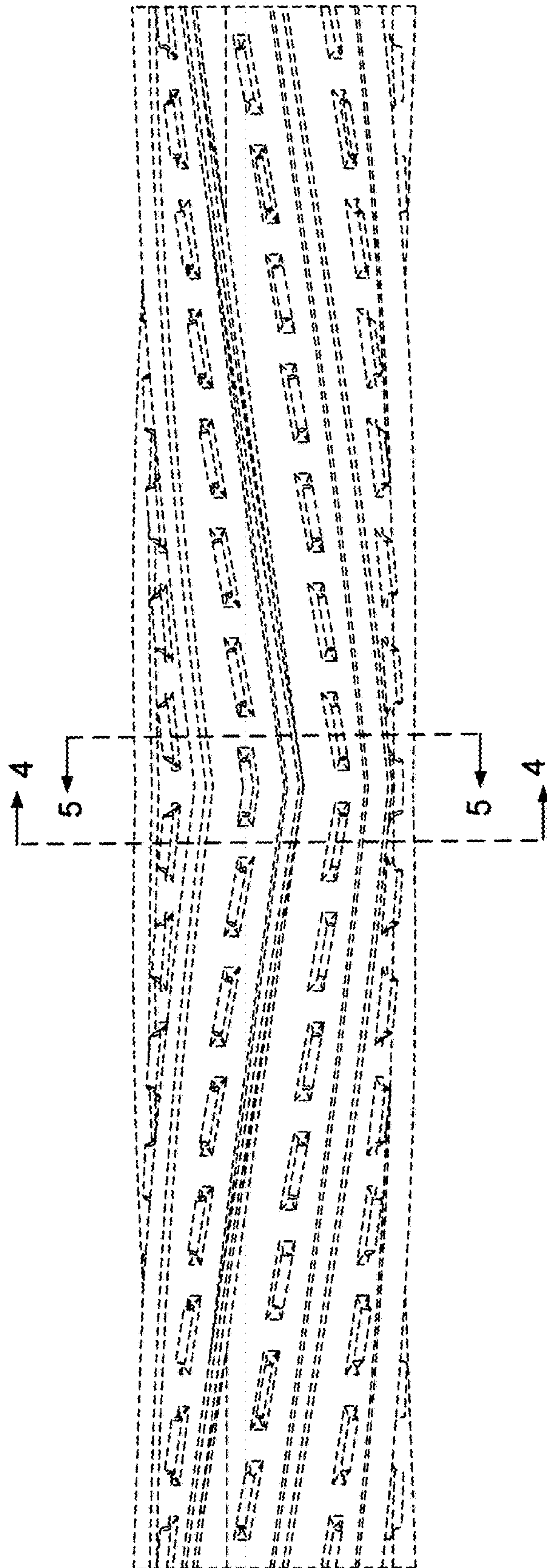


FIG. 3

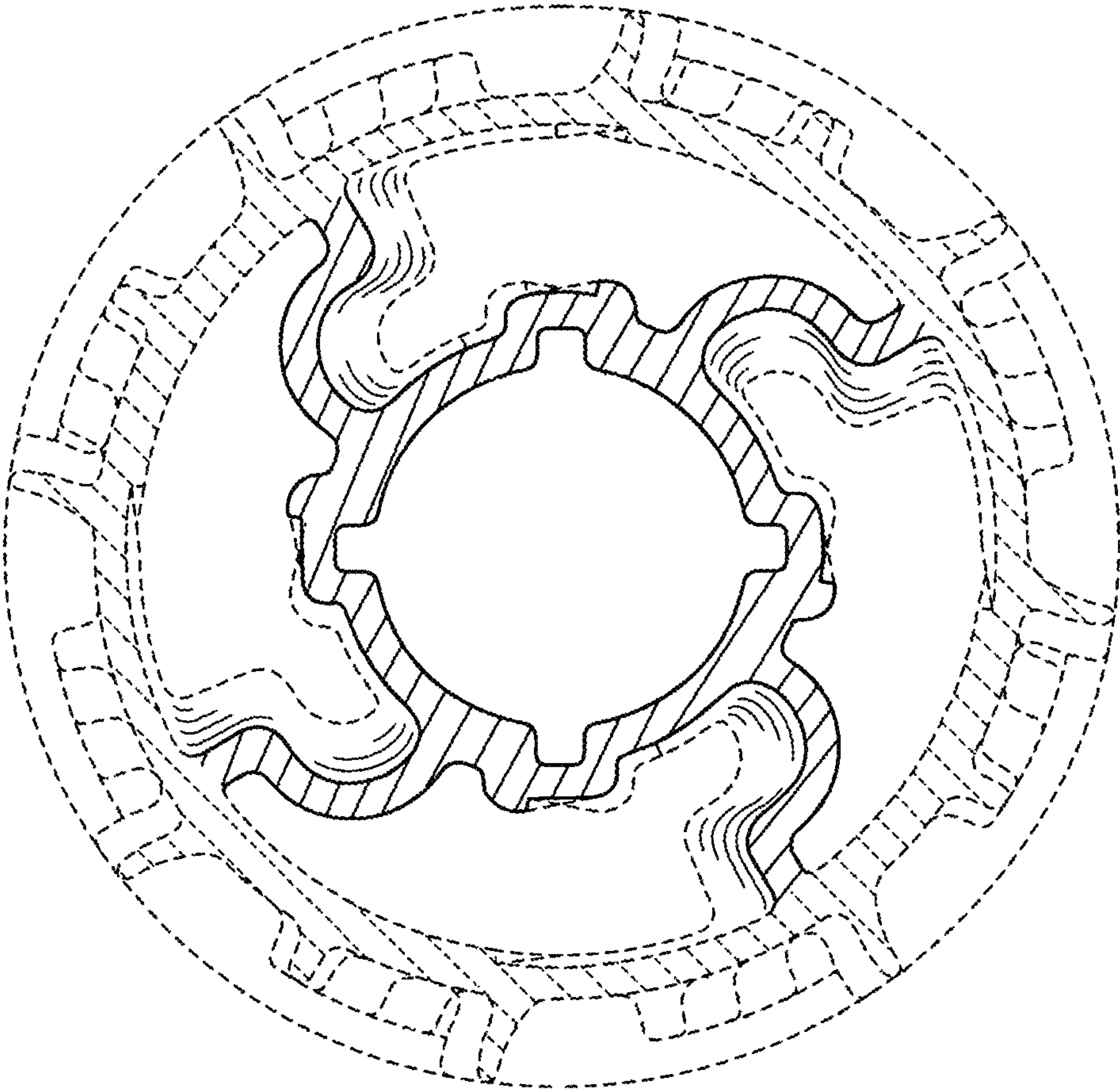


FIG. 4

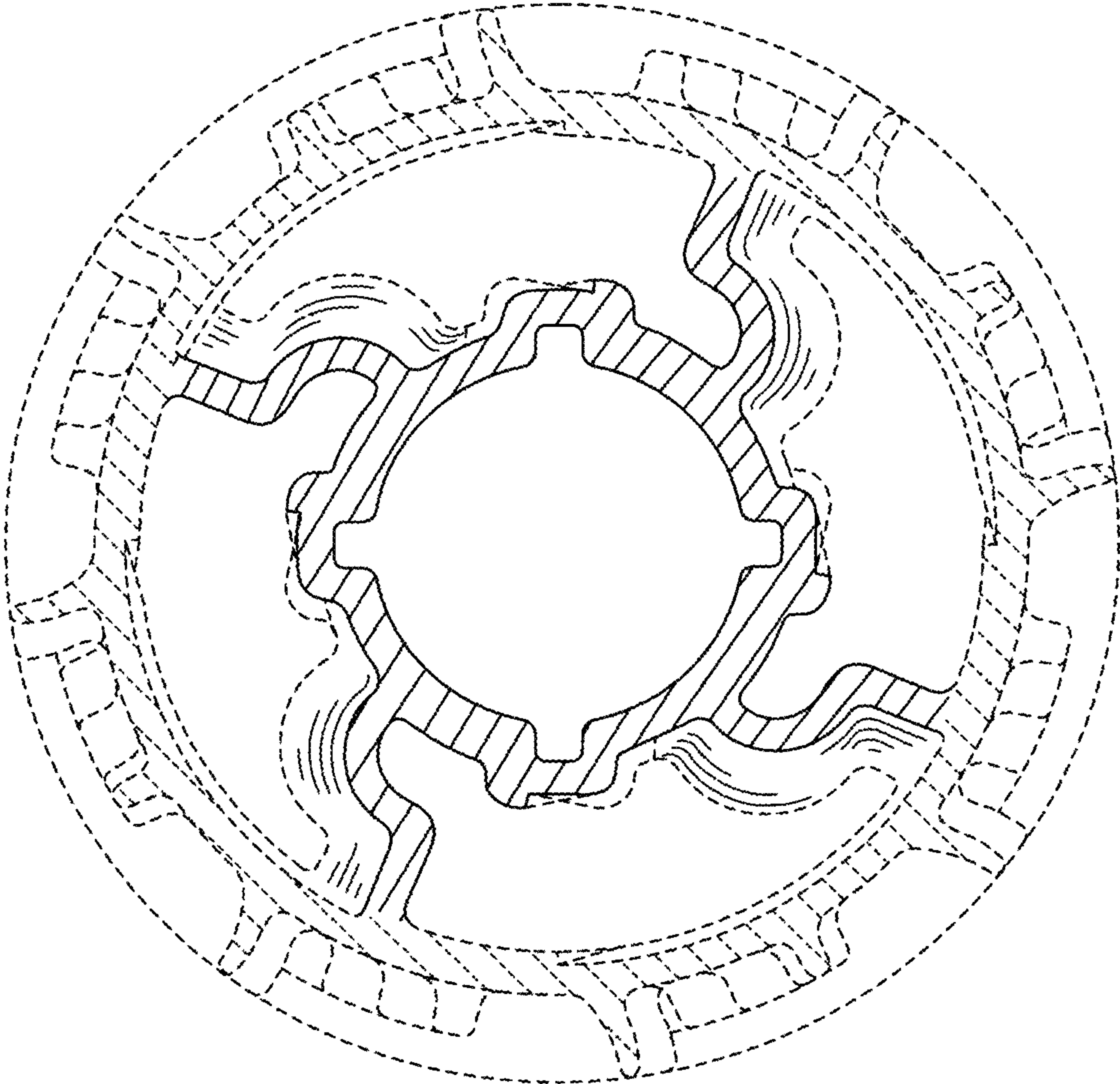


FIG. 5



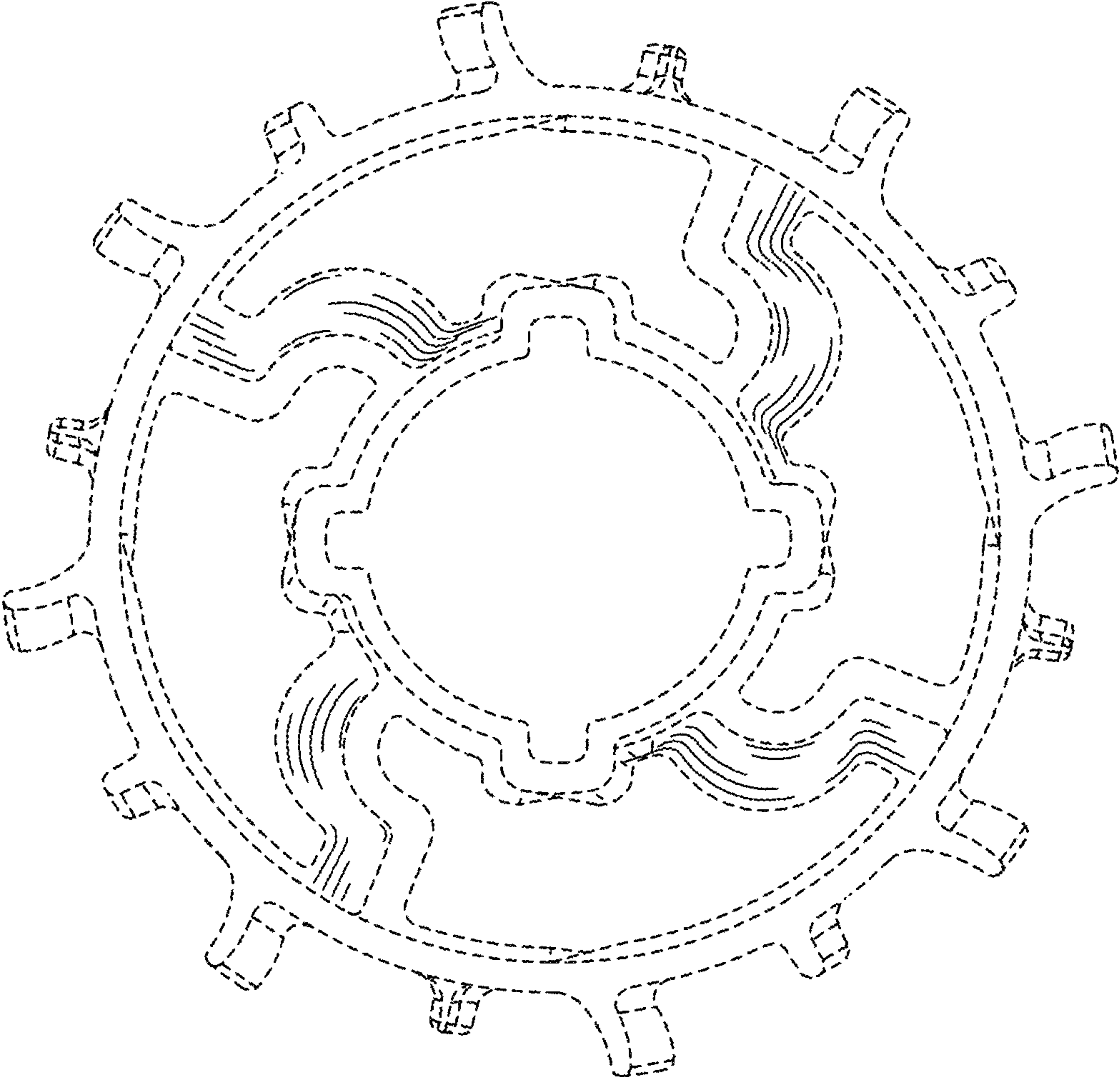


FIG. 6



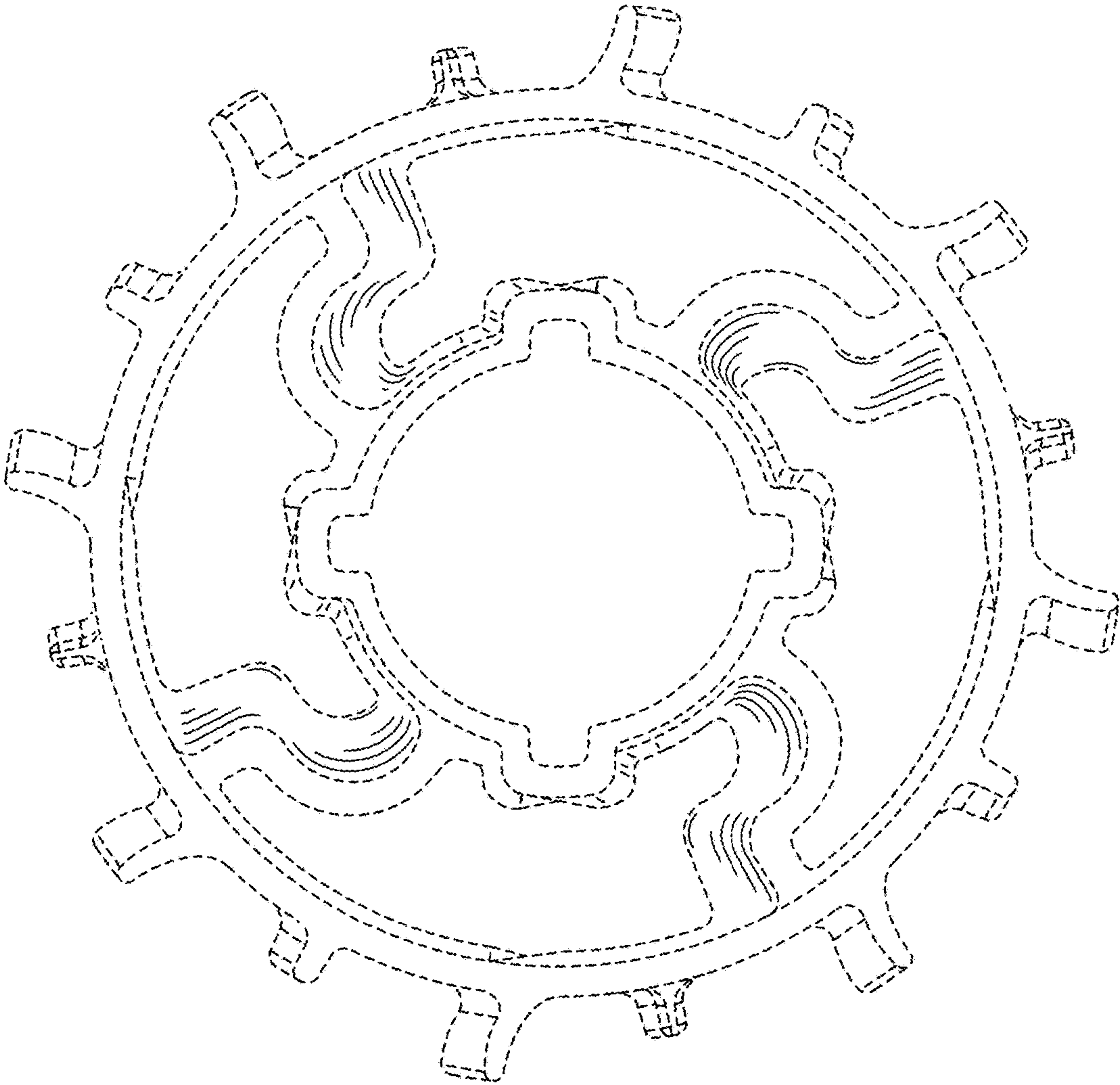


FIG. 7