



US00D774258S

(12) **United States Design Patent**
Kim et al.

(10) **Patent No.:** **US D774,258 S**
(45) **Date of Patent:** **** Dec. 13, 2016**

(54) **CLEANER**

- (71) Applicant: **Samsung Electronics Co., Ltd.**,
Suwon-si, Gyeonggi-do (KR)
- (72) Inventors: **Kyung-Tae Kim**, Seoul (KR); **Chris Bangle**, Clavesana (IT)
- (73) Assignee: **SAMSUNG ELECTRONICS CO., LTD.** (KR)
- (**) Term: **14 Years**

- (21) Appl. No.: **29/496,394**
- (22) Filed: **Jul. 11, 2014**
- (51) **LOC (10) Cl.** **15-05**
- (52) **U.S. Cl.**
USPC **D32/21**
- (58) **Field of Classification Search**
USPC D32/17-18, 21-24, 31
CPC A47L 9/2842; A47L 9/08; A47L 9/20;
A47L 5/24; A47L 5/362; A47L 5/365; A47L 5/14; A47L 5/28; A47L 5/34; A47L 7/0038; E04H 4/1654; B62D 57/032
See application file for complete search history.

(56) **References Cited**

U.S. PATENT DOCUMENTS

D518,254 S *	3/2006	Stratford	D32/21
D544,660 S *	6/2007	Burnham	D32/21
D747,578 S *	1/2016	Kim	D32/31
2006/0137128 A1 *	6/2006	Elsworthy	A47L 5/362 15/323

OTHER PUBLICATIONS

U.S. Appl. No. 29/496,392, filed Jul. 11, 2014, Kim, et al.

* cited by examiner

Primary Examiner — Ruth McInroy

(74) *Attorney, Agent, or Firm* — Cantor Colburn LLP

(57) **CLAIM**

We claim, the ornamental design for a cleaner, as shown and described.

DESCRIPTION

FIG. 1 is a perspective view of a cleaner, showing our new design;
 FIG. 2 is a front view thereof;
 FIG. 3 is a rear view thereof;
 FIG. 4 is a side view thereof;
 FIG. 5 is a another side view thereof; and,
 FIG. 6 is a top view thereof.

The broken lines are for environmental purposes only and form no part of the claimed design.

1 Claim, 6 Drawing Sheets

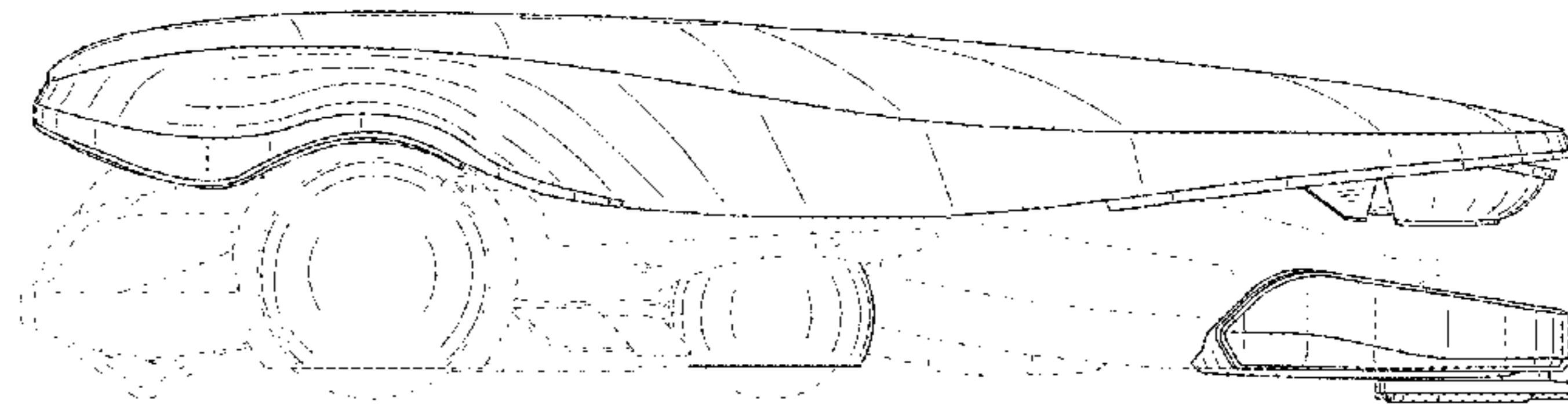
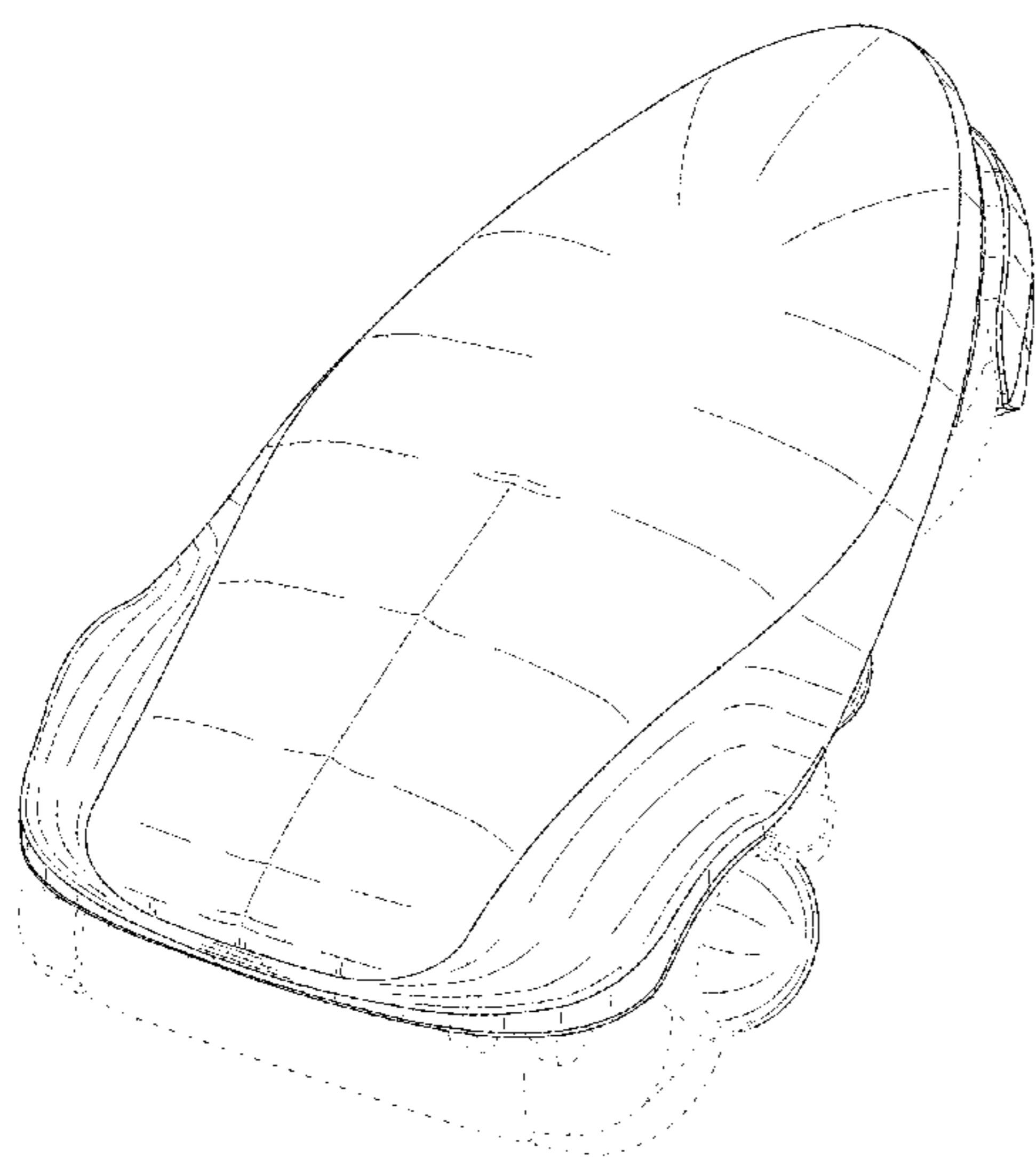


FIG. 1

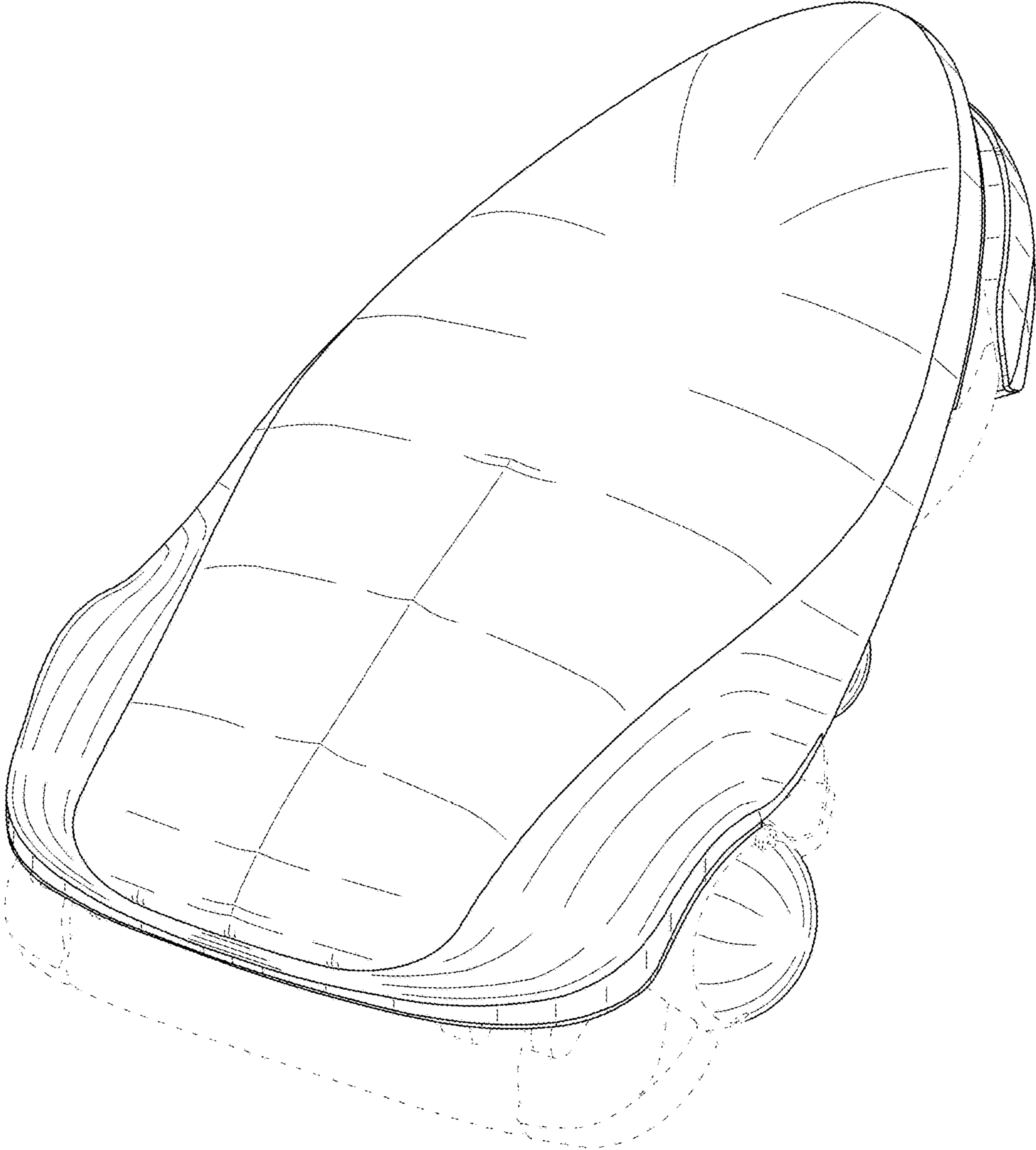


FIG. 2

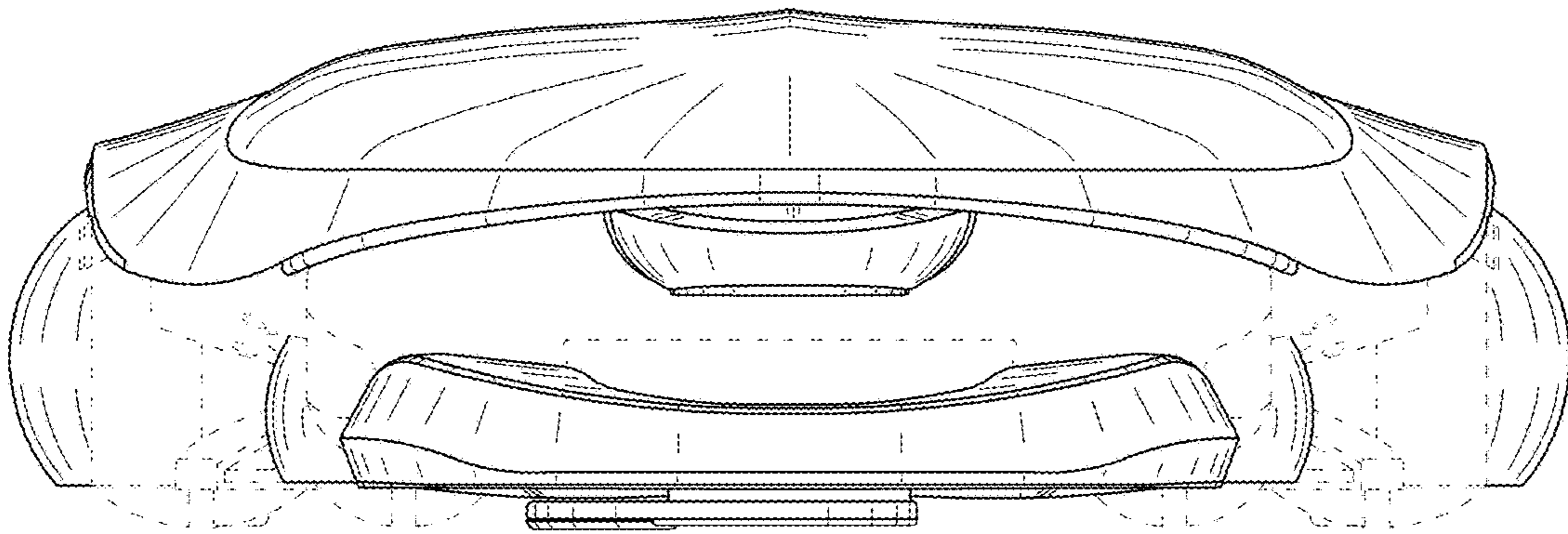


FIG. 3

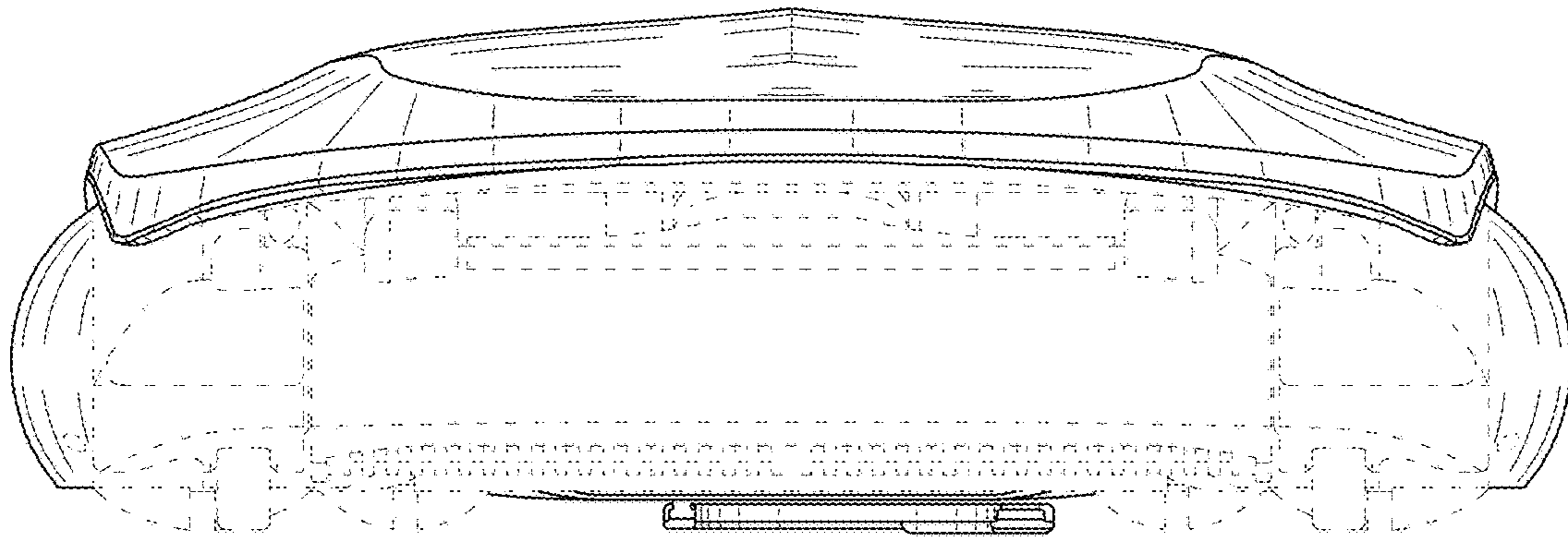


FIG. 4

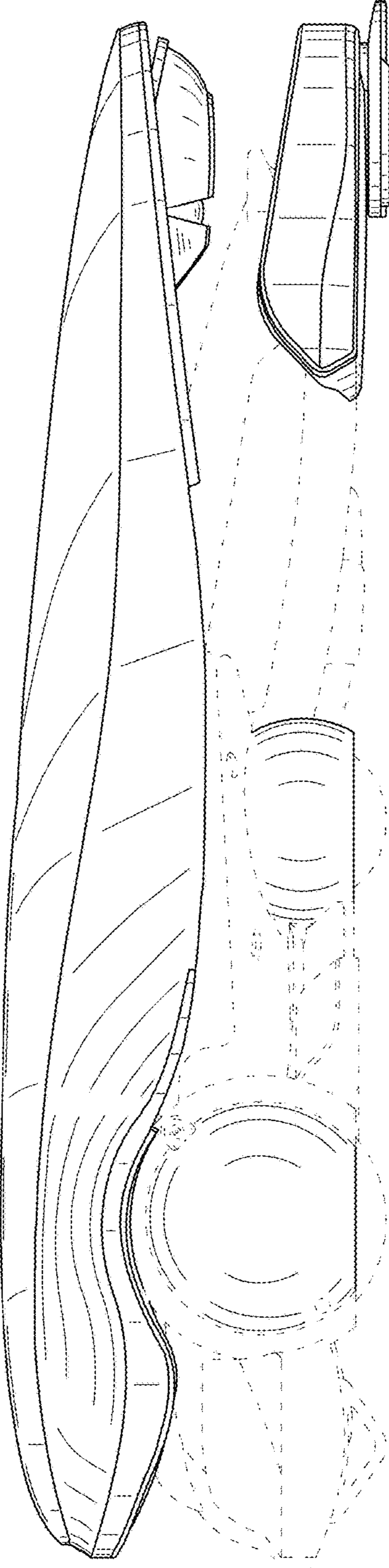


FIG. 5

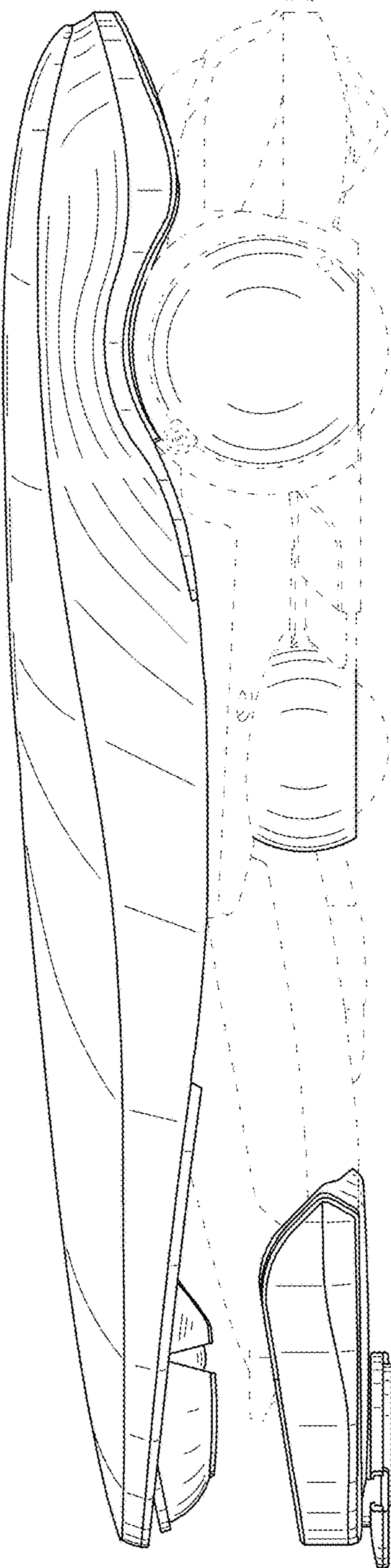


FIG. 6

